

Directional valves ▶ Electrically operated

5/2-directional valve, Series TC08

- ▶ Qn = 800 l/min ▶ Pilot valve width: 15 mm ▶ pipe connection ▶ Compressed air connection output: G 1/8
- ▶ Electr. connection: Plug, ISO 15217, form C ▶ Manual override: with detent ▶ single solenoid, double solenoid



00137794

Version	Spool valve, zero overlap
Sealing principle	Soft sealing
Mounting on manifold strip	P-strip
Working pressure min./max.	See table below
Control pressure min./max.	See table below
Ambient temperature min./max.	-10°C / +50°C
Medium temperature min./max.	-10°C / +50°C
Medium	Compressed air
Max. particle size	5 µm
Oil content of compressed air	0 mg/m³ - 5 mg/m³
Nominal flow Qn	800 l/min
Connector standard	ISO 15217
Protection class with connection	IP65
Duty cycle	100 %
Generic emission standard in accordance with	EN 50081:1992
Mounting screw tightening torque	2 Nm
Weight	See table below
Materials:	
Housing	Polyamide, fiber-glass reinforced
Seals	Acrylonitrile Butadiene Rubber; Polyurethane
Front plate	Polyamide, fiber-glass reinforced
Threaded bushing	Brass, nickel-plated; Die cast zinc, chrome-plated

Technical Remarks

- The min. control pressure must be adhered to, since otherwise faulty switching and valve failure may result!
- The pressure dew point must be at least 15 °C under ambient and medium temperature and may not exceed 3 °C.
- The oil content of compressed air must remain constant during the life cycle.
- Use only the approved oils from AVENTICS, see chapter „Technical information“.

Operational voltage	Voltage tolerance	Power consumption
24 V	-10% / +10%	2

	MO	Compressed air connection			Operational voltage	Power consumption	Flow conductance		Part No.		
		Input	Output	Exhaust			DC	DC		b	C
		G 1/8	G 1/8	G 1/8	24 V	2	0.36	3.5	0820060001		
		G 1/8	G 1/8	G 1/8	24 V	2	0.36	3.5	0820060051		
		G 1/8	G 1/8	G 1/8	24 V	2	0.36	3.5	0820060026 R422103046		
		G 1/8	G 1/8	G 1/8	24 V	2	0.36	3.5	0820060076 R422103048		

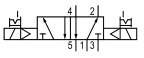

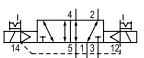

Part numbers marked in bold are available from the central warehouse in Germany, see the shopping basket for more detailed information

Pneumatics catalog, online PDF, as of 2016-08-10, ©AVENTICS S.à r.l., subject to change

Directional valves ▶ Electrically operated
5/2-directional valve, Series TC08

▶ Qn = 800 l/min ▶ Pilot valve width: 15 mm ▶ pipe connection ▶ Compressed air connection output: G 1/8

▶ Electr. connection: Plug, ISO 15217, form C ▶ Manual override: with detent ▶ single solenoid, double solenoid

	MO	Compressed air connection			Operational voltage	Power consumption	Flow conductance		Part No.		
		Input	Output	Exhaust			DC	DC		b	C
		G 1/8	G 1/8	G 1/8	24 V -	2 -	0.36	3.5	0820060501 R422103050		
		G 1/8	G 1/8	G 1/8	24 V -	2 -	0.36	3.5	0820060551 R422103052		

Part No.	Nominal resistance	Working pressure min./max.	Control pressure min./max.	Switch-on time	Switch-off time	Weight	Note
	[Ω]	[bar]	[bar]	[ms]	[ms]	[kg]	
0820060001	280	2.5 / 10	2.5 / 10	14	18	0.14	1)
0820060051	280	-0.9 / 10	2.5 / 10	14	18	0.14	2)
0820060026 R422103046	280 -	3 / 10	3 / 10	14	17	0.14	1) 1); 3)
0820060076 R422103048	280 -	-0.9 / 10	3 / 10	14	17	0.14	2) 2); 3)
0820060501 R422103050	280 -	2 / 10	2 / 10	10	10	0.172	1) 1); 3)
0820060551 R422103052	280 -	-0.9 / 10	2 / 10	10	10	0.172	2) 2); 3)

MO = Manual override

1) Pilot: internal

2) Pilot: external

3) Basic valve without coil

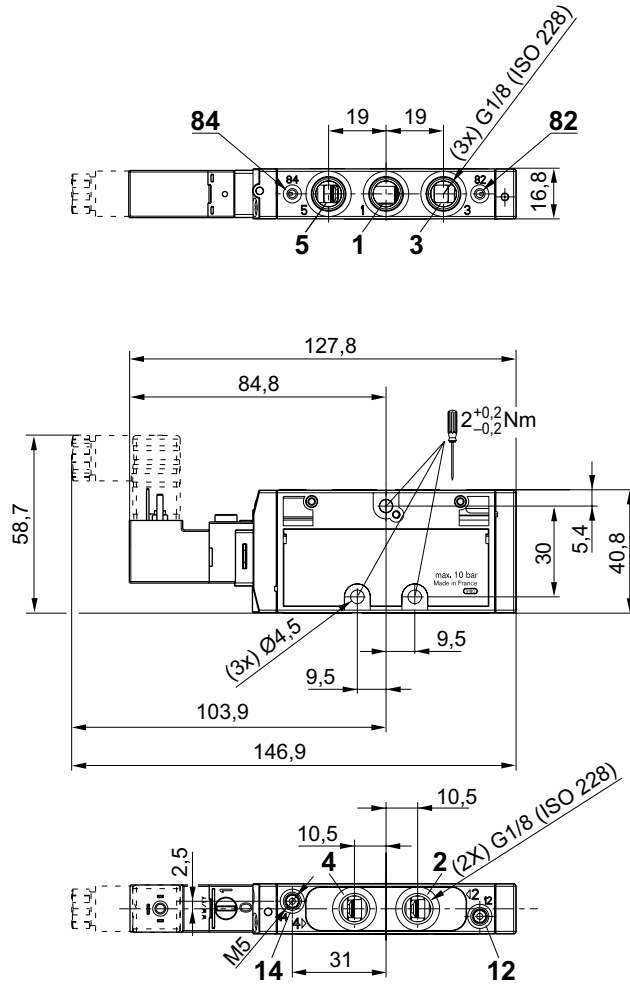
Nominal flow Qn at 6 bar and Δp = 1 bar

Directional valves ▶ Electrically operated

5/2-directional valve, Series TC08

- ▶ Qn = 800 l/min ▶ Pilot valve width: 15 mm ▶ pipe connection ▶ Compressed air connection output: G 1/8
- ▶ Electr. connection: Plug, ISO 15217, form C ▶ Manual override: with detent ▶ single solenoid, double solenoid

Dimensions, single solenoid

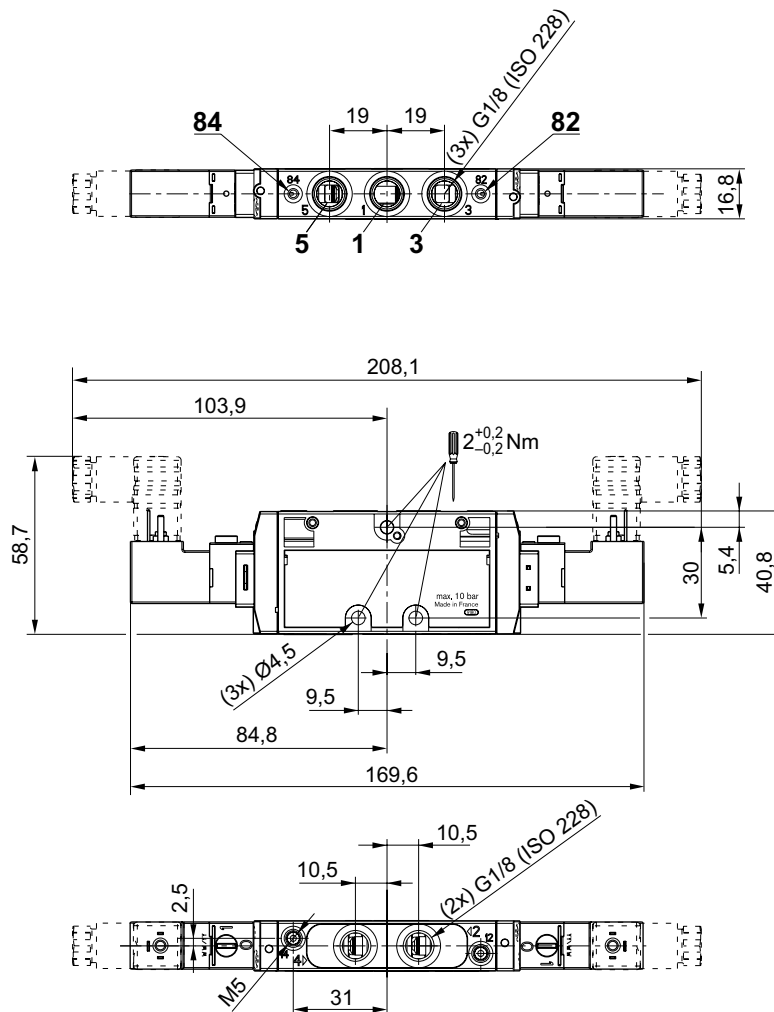


00111317_a

5/2-directional valve, Series TC08

- ▶ $Q_n = 800 \text{ l/min}$ ▶ Pilot valve width: 15 mm ▶ pipe connection ▶ Compressed air connection output: G 1/8
- ▶ Electr. connection: Plug, ISO 15217, form C ▶ Manual override: with detent ▶ single solenoid, double solenoid

Dimensions, double solenoid



00111318_a