



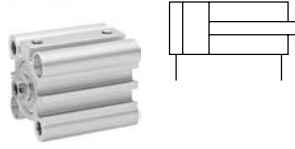
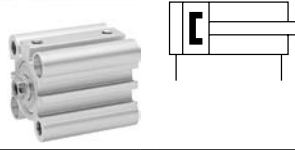
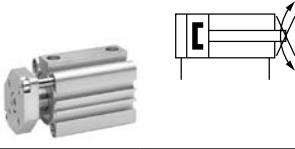

Piston rod cylinder ▶ Short-stroke and compact cylinders

ISO 15524, series SSI

Brochure



Piston rod cylinder ▶ Short-stroke and compact cylinders ISO 15524, series SSI



	Short-stroke cylinder, Series SSI ▶ Overview of variants	6
	Short-stroke cylinder, Series SSI ▶ Ports: M5 - G 1/4 ▶ Single-acting, retracted without pressure ▶ with magnetic piston ▶ cushioning: elastic ▶ Piston rod geometry: Internal thread	7
	Short-stroke cylinder, Series SSI ▶ Ports: M5 - G 3/8 ▶ double-acting ▶ cushioning: elastic ▶ Piston rod geometry: Internal thread	12
	Short-stroke cylinder, Series SSI ▶ Ports: M5 - G 3/8 ▶ double-acting ▶ with magnetic piston ▶ cushioning: elastic ▶ Piston rod geometry: Internal thread	16
	Short-stroke cylinder, Series SSI ▶ Ports: M5 - G 1/4 ▶ double-acting ▶ with magnetic piston ▶ cushioning: elastic ▶ Piston rod geometry: non-rotating, with front plate	21
	Short-stroke cylinder, Series SSI ▶ cushioning: elastic ▶ Piston rod geometry: external thread	26

Accessories



Accessories overview

Accessories overview	28
----------------------	----













Cylinder mountings

	Foot mounting, Series MS9 ▶ Cylinder mounting for cylinder in accordance with ISO 15524	29
	Mounting kit	30












Piston rod mountings (for cylinders with external thread; external thread can be selected via the configurator)

	Rod clevis with lock washer, Series AP2 ▶ Stainless steel	31
	Rod clevis with circlip, Series AP2 ▶ Stainless steel	31

Piston rod cylinder ▶ Short-stroke and compact cylinders
ISO 1524, series SSI

	Rod clevis with split pin, Series AP2 ▶ Stainless steel	32
	Flexible spherical coupling, Series PM5	32
	Flexible plate coupling, Series PM7	33
	Ball eye rod end with flange, Series AP6 ▶ Steel	34
	Rod clevis, Series PM6	35
	Male threaded rods ▶ for Series KHZ and SSI with internal thread	35
Sensors and sensor mountings, accessories		
	Sensor, Series ST4 ▶ 4 mm groove ▶ with cable ▶ Plug, M8, 3-pin, with knurled screw	37
	Sensor, Series ST4 ▶ 4 mm groove ▶ with cable ▶ Plug, M12, 3-pin, with knurled screw	38
	Sensor, Series ST4 ▶ 4 mm groove ▶ with cable ▶ Plug, M8, 3-pin	40
	Sensor, Series ST4 ▶ 4 mm groove ▶ with cable ▶ open cable ends, 3-pin	41
	Sensors, Series ST4-2P ▶ 4 mm groove ▶ number of switching points:2 ▶ with cable ▶ without wire end ferrule, tin-plated, 4-pin ▶ electronic PNP	43
	Sensors, Series ST4-2P ▶ 4 mm groove ▶ number of switching points:2 ▶ with cable ▶ Plug, M8x1, 4-pin, with knurled screw ▶ electronic PNP	44

Piston rod cylinder ▶ Short-stroke and compact cylinders
ISO 15524, series SSI

	Sensor, Series ST6 ▶ 6 mm T-slot ▶ with cable ▶ open cable ends, 2-pin, open cable ends, 3-pin	46
	Sensor, Series ST6 ▶ 6 mm T-slot ▶ with cable ▶ Plug, M8, 3-pin, with knurled screw	48
	Sensor, Series ST6 ▶ 6 mm T-slot ▶ with cable ▶ Plug, M8, 3-pin	49
	Sensor, Series ST6 ▶ 6 mm T-slot ▶ with cable ▶ Plug, M12, 3-pin, with knurled screw	51
	Sensors, Series SM6 ▶ 6 mm groove ▶ with cable ▶ without wire end ferrule, tin-plated, 4-pin ▶ with distance measuring sensor, measurement range 32 - 256 mm	52
	Sensors, Series SM6 ▶ 6 mm groove ▶ with cable ▶ Plug, M8x1, 4-pin, with knurled screw ▶ with distance measuring sensor, measurement range 32 - 256 mm	54
	Connecting cable, Series CN2 ▶ Socket, M8, 3-pin, straight ▶ open cable ends, 3-pin	55
	Connecting cable, Series CN2 ▶ Socket, M8x1, 3-pin, angled ▶ open cable ends, 3-pin	57
	Socket, M8x1, Series CN2 ▶ Socket, M8x1, 3-pin	58
	Socket, M8x1, Series CN2 ▶ Socket, M8x1, 3-pin, angled	60
	Groove lock profile	61

Piston rod cylinder ▶ Short-stroke and compact cylinders
ISO 15524, series SSI

Other accessories



Silencers, Series SI1
 ▶ Sintered bronze

62



Silencers, Series SI1
 ▶ Sintered bronze

63

Short-stroke cylinder, Series SSI

▶ Overview of variants

Configurable product



The options listed in the following table are configurable.
 Note that not all variants can be combined with all options.
 Please use our Internet configurator at <http://www.aventics.com> or contact the nearest AVENTICS sales office.

Version	Data sheet of the variant	Option: piston rod extension	Option: through piston rod Ø 12 - 63 mm	Option: through hollow piston rod Ø 20 - 63 mm	Option: Internal thread	Option: External thread	Option: optional stroke lengths
 Ø 12 - 100 mm		✓	✓	✓	✓	✓	✓
 Ø 12 - 100 mm		✓	-	-	✓	✓	✓
 Ø 20 - 63 mm		-	-	-	-	-	✓
 Ø 12 - 63 mm		✓	-	-	✓	✓	✓

Piston rod cylinder ▶ Short-stroke and compact cylinders

Short-stroke cylinder, Series SSI

- ▶ Ports: M5 - G 1/4 ▶ Single-acting, retracted without pressure ▶ with magnetic piston ▶ cushioning: elastic
- ▶ Piston rod geometry: Internal thread



Standards	ISO 15524
Compressed air connection	Internal thread
Ambient temperature min./max.	-4°F / +176°F
Medium temperature min./max.	-4°F / +176°F
Medium	Compressed air
Oil content of compressed air	0 mg/m ³ - 5 mg/m ³
Pressure for determining piston forces	91.35 psi

Materials:	
Cylinder tube	Aluminum, anodized
Piston rod	Stainless steel
End cover	Aluminum

See table for additional data on materials.

Technical Remarks

- The pressure dew point must be at least 27 °F under ambient and medium temperature and may not exceed 37 °F.
- The oil content of compressed air must remain constant during the life cycle.
- Use only the approved oils from AVENTICS, see chapter „Technical information“.
- Please note that this variant does not use a scraper.

Piston Ø	[mm]	12	16	20	25	32
Extracting piston force	[lbf]	15.96	28.55	44.51	69.46	113.97
Impact energy	[inch]	0.0147	0.0221	0.0295	0.0368	0.118
Weight	+ inch stroke [lbs]	0.0264	0.0374	0.044	0.0595	0.0837
Stroke max.	[inch]	0.3937	0.3937	0.9842	0.9842	0.9842
Working pressure min./max.	[psi]	25 - 145	22 - 145	22 - 145	22 - 145	19 - 145
Material, front cover		Brass	Aluminum	Aluminum	Aluminum	Aluminum
Sealing material		Nitrile butadiene rubber	Nitrile butadiene rubber	Nitrile butadiene rubber	Nitrile butadiene rubber	Polyurethane

Piston Ø	[mm]	40	50	63		
Extracting piston force	[lbf]	178.04	278.08	441.51		
Impact energy	[inch]	0.177	0.236	0.2802		
Weight	+ inch stroke [lbs]	0.097	0.1477	0.1741		
Stroke max.	[inch]	0.9842	0.9842	0.9842		
Working pressure min./max.	[psi]	19 - 145	15 - 145	15 - 145		
Material, front cover		Aluminum	Aluminum	Aluminum		
Sealing material		Polyurethane	Polyurethane	Polyurethane		

All dimensions in mm, unless specified otherwise.


Part numbers marked in bold are available from the central warehouse in Germany, see the shopping basket for more detailed information

Pneumatics catalog, online PDF, as of 2016-01-14, ©AVENTICS S.à r.l., subject to change

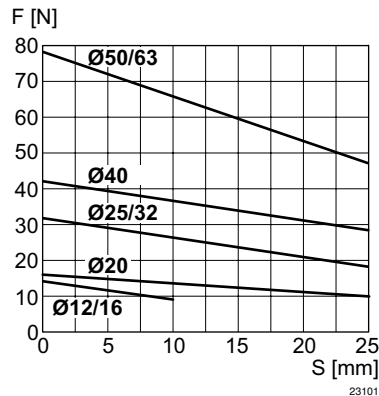
Piston rod cylinder ▶ Short-stroke and compact cylinders

Short-stroke cylinder, Series SSI

- ▶ Ports: M5 - G 1/4 ▶ Single-acting, retracted without pressure ▶ with magnetic piston ▶ cushioning: elastic
- ▶ Piston rod geometry: Internal thread

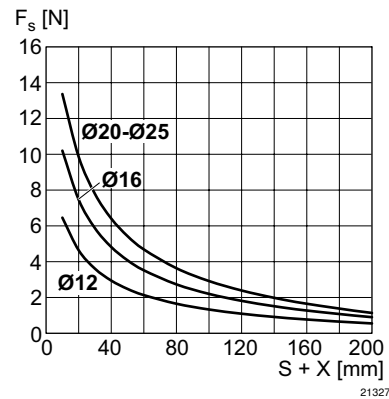
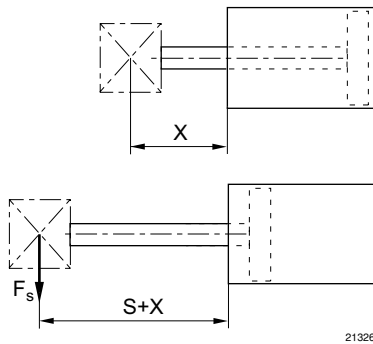
	Piston Ø	12	16	20	25	32
	Piston rod thread	M3	M4	M5	M6	M8
	Ports	M5	M5	M5	M5	G 1/8
	Piston rod Ø	6	8	10	12	16
	Stroke 0.2	R480637920	R480637922	R480637924	R480637927	R480637930
	0.39	R480637921	R480637923	R480637925	R480637928	R480637931
	0.98	-	-	R480637926	R480637929	R480637932
	Piston Ø	40	50	63		
	Piston rod thread	M8	M10	M10		
	Ports	G 1/8	G 1/4	G 1/4		
Piston rod Ø	16	20	20			
Stroke 0.2	R480637933	-	-			
0.39	R480637934	R480637936	R480637938			
0.98	R480637935	R480637937	R480637939			

Retracting piston force



F = spring return force, s = return stroke

Maximum permissible lateral force, Ø 12 - 25 mm



X = spacing between force application point and cylinder cover
 F_s = lateral force
 S = stroke

All dimensions in mm, unless specified otherwise.

Part numbers marked in bold are available from the central warehouse in Germany, see the shopping basket for more detailed information

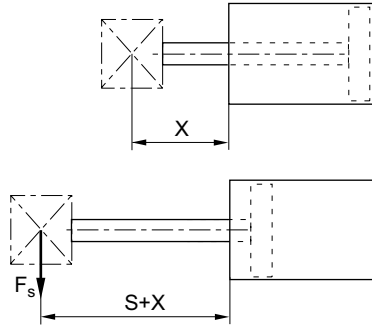
Pneumatics catalog, online PDF, as of 2016-01-14, ©AVENTICS S.à r.l., subject to change

Piston rod cylinder ▶ Short-stroke and compact cylinders

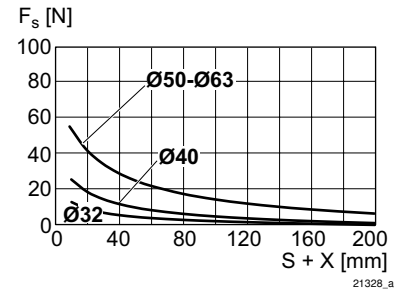
Short-stroke cylinder, Series SSI

- ▶ Ports: M5 - G 1/4 ▶ Single-acting, retracted without pressure ▶ with magnetic piston ▶ cushioning: elastic
- ▶ Piston rod geometry: Internal thread

Maximum permissible lateral force, Ø 32 - 63 mm



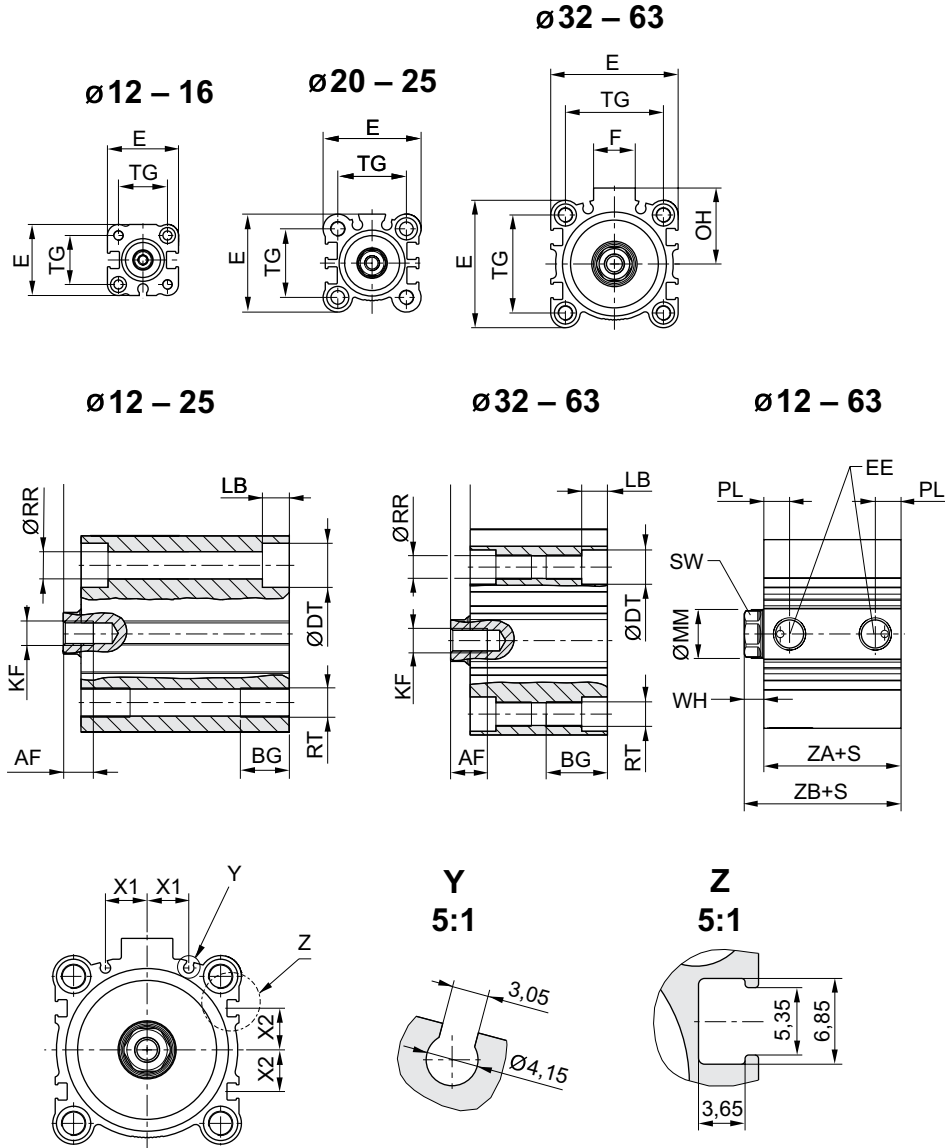
X = spacing between force application point and cylinder cover
 F_s = lateral force
 S = stroke



Short-stroke cylinder, Series SSI

- ▶ Ports: M5 - G 1/4 ▶ Single-acting, retracted without pressure ▶ with magnetic piston ▶ cushioning: elastic
- ▶ Piston rod geometry: Internal thread

Dimensions



S = stroke

21303_b

Piston Ø	AF	BG	ØDT	E	EE	F	KF	LB 1)	ØMM f8	OH	PL	ØRR	RT	SW
0.47	6	7	6.5	25	M5	-	M3	3.5	6	-	5.5	3.7	M4	5
0.63	8	7	6.5	29	M5	-	M4	3.5	8	-	5.5	3.7	M4	7
0.79	7	10	9	36	M5	-	M5	5.5	10	-	5.5	5.55	M6	8
0.98	12	10	9	40	M5	-	M6	5.5	12	-	5.5	5.55	M6	10
1.26	13	16	9	45	G 1/8	17	M8	5.5	16	27	7.5	5.55	M6	13
1.57	13	16	9	52	G 1/8	17	M8	5.5	16	31	7.5	5.55	M6	13
1.97	15	20	11	64	G 1/4	21	M10	8	20	39	10.5	7.4	M8	17
2.48	15	25	14	77	G 1/4	21	M10	10.5	20	45.5	10.5	9.3	M10	17

All dimensions in mm, unless specified otherwise.

Part numbers marked in bold are available from the central warehouse in Germany, see the shopping basket for more detailed information

Pneumatics catalog, online PDF, as of 2016-01-14, ©AVENTICS S.à r.l., subject to change

Piston rod cylinder ▶ Short-stroke and compact cylinders
Short-stroke cylinder, Series SSI

- ▶ Ports: M5 - G 1/4 ▶ Single-acting, retracted without pressure ▶ with magnetic piston ▶ cushioning: elastic
- ▶ Piston rod geometry: Internal thread

Piston Ø	TG	WH	X1	X2	ZA±0,2	ZB±2						
0.47	15,5 ±0,3	3,5 ±1,5	0	0	28	31.5						
0.63	20 ±0,3	3,5 ±1,5	0	0	30.5	34						
0.79	25,5 ±0,3	4,5 ±1,5	5.7	4.3	31,5 *	36 *						
0.98	28 ±0,3	5 ±1,5	6	5	32,5 *	37,5 *						
1.26	34 ±0,3	7 ±2	8.5	7.5	33	40						
1.57	40 ±0,3	7 ±2	10.8	11	39.5	46.5						
1.97	50 ±0,5	8 ±2	14	13	40.5	48.5						
2.48	60 ±0,5	8 ±2	17	17	46	54						

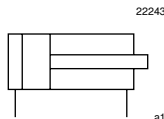
1) max.

* For stroke 11-25 mm + 6.5 mm

Piston rod cylinder ▶ Short-stroke and compact cylinders

Short-stroke cylinder, Series SSI

▶ Ports: M5 - G 3/8 ▶ double-acting ▶ cushioning: elastic ▶ Piston rod geometry: Internal thread



Standards	ISO 15524
Compressed air connection	Internal thread
Ambient temperature min./max.	-4°F / +176°F
Medium temperature min./max.	-4°F / +176°F
Medium	Compressed air
Oil content of compressed air	0 mg/m ³ - 5 mg/m ³
Pressure for determining piston forces	91.35 psi

Materials:	
Cylinder tube	Aluminum, anodized
Piston rod	Stainless steel
End cover	Aluminum

See table for additional data on materials.

Technical Remarks

- The pressure dew point must be at least 27 °F under ambient and medium temperature and may not exceed 37 °F.
- The oil content of compressed air must remain constant during the life cycle.
- Use only the approved oils from AVENTICS, see chapter „Technical information“.
- Note the selection of fittings for strokes < 10 mm.

Piston Ø	[mm]	12	16	20	25	32	
Retracting piston force	[lbf]	11.91	21.36	33.27	53.5	85.42	
Extracting piston force	[lbf]	15.96	28.55	44.51	69.46	113.97	
Impact energy	[inch]	0.0221	0.0442	0.059	0.0737	0.118	
Weight	+ inch stroke	[lbs]	0.0264	0.0374	0.044	0.0595	0.0837
Stroke max.	[inch]	2.95	3.93	5.9	5.9	5.9	
Working pressure min./max.	[psi]	15 - 145	15 - 145	15 - 145	15 - 145	9 - 145	
Material, front cover		Brass	Brass	Brass	Aluminum	Aluminum	
Scraper material		Nitrile butadiene rubber	Nitrile butadiene rubber	Nitrile butadiene rubber	Nitrile butadiene rubber	Nitrile butadiene rubber	
Sealing material		Nitrile butadiene rubber	Nitrile butadiene rubber	Nitrile butadiene rubber	Nitrile butadiene rubber	Nitrile butadiene rubber	

Piston Ø	[mm]	40	50	63	80	100	
Retracting piston force	[lbf]	149.49	233.57	397	642.25	998.34	
Extracting piston force	[lbf]	178.04	278.08	441.51	711.94	1112.31	
Impact energy	[inch]	0.177	0.236	0.2802	0.3171	0.3687	
Weight	+ inch stroke	[lbs]	0.097	0.1477	0.1741	0.2689	0.3703
Stroke max.	[inch]	5.9	5.9	5.9	5.9	5.9	
Working pressure min./max.	[psi]	9 - 145	9 - 145	9 - 145	9 - 145	9 - 145	
Material, front cover		Aluminum	Aluminum	Aluminum	Aluminum	Aluminum	
Scraper material		Nitrile butadiene rubber	Polyurethane	Polyurethane	Polyurethane	Polyurethane	
Sealing material		Nitrile butadiene rubber	Nitrile butadiene rubber	Nitrile butadiene rubber	Nitrile butadiene rubber	Nitrile butadiene rubber	

All dimensions in mm, unless specified otherwise.

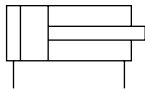
Part numbers marked in bold are available from the central warehouse in Germany, see the shopping basket for more detailed information

Pneumatics catalog, online PDF, as of 2016-01-14, ©AVENTICS S.à r.l., subject to change

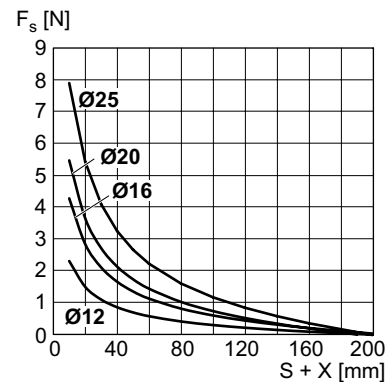
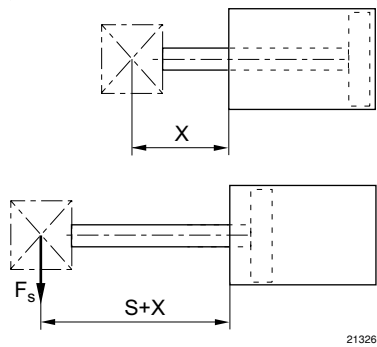
Piston rod cylinder ▶ Short-stroke and compact cylinders

Short-stroke cylinder, Series SSI

▶ Ports: M5 - G 3/8 ▶ double-acting ▶ cushioning: elastic ▶ Piston rod geometry: Internal thread

Piston Ø Piston rod thread Ports Piston rod Ø	12	16	20	25	32	
	M3 M5 6	M4 M5 8	M5 M5 10	M6 M5 12	M8 G 1/8 16	
	Stroke 0.2	R480637830	R480637835	R480637841	R480637849	R480637857
	0.39	R480637831	R480637836	R480637842	R480637850	R480637858
	0.59	R480637832	R480637837	R480637843	R480637851	R480637859
	0.79	R480637833	R480637838	R480637844	R480637852	R480637860
	0.98	R480637834	R480637839	R480637845	R480637853	R480637861
	1.18	-	R480637840	R480637846	R480637854	R480637862
	1.57	-	-	R480637847	R480637855	R480637863
	1.97	-	-	R480637848	R480637856	R480637864
	3.15	-	-	-	-	R480644580
	3.94	-	-	-	-	R480644582
Piston Ø Piston rod thread Ports Piston rod Ø	40	50	63	80	100	
	M8 G 1/8 16	M10 G 1/4 20	M10 G 1/4 20	M16 G 3/8 25	M20 G 3/8 32	
Stroke 0.2	R480637865	R480637873	R480637883	R480637893	R480637903	
0.39	R480637866	R480637874	R480637884	R480637894	R480637904	
0.59	R480637867	R480637875	R480637885	R480637895	R480637905	
0.79	R480637868	R480637876	R480637886	R480637896	R480637906	
0.98	R480637869	R480637877	R480637887	R480637897	R480637907	
1.18	R480637870	R480637878	R480637888	R480637898	R480637908	
1.57	R480637871	R480637879	R480637889	R480637899	R480637909	
1.97	R480637872	R480637880	R480637890	R480637900	R480637910	
3.15	R480641942	R480637881	R480637891	R480637901	R480637911	
3.94	R480644583	R480637882	R480637892	R480637902	R480637912	

Maximum permissible lateral force, Ø 12 - 25 mm



X = spacing between force application point and cylinder cover
 FS = lateral force
 S = stroke

All dimensions in mm, unless specified otherwise.

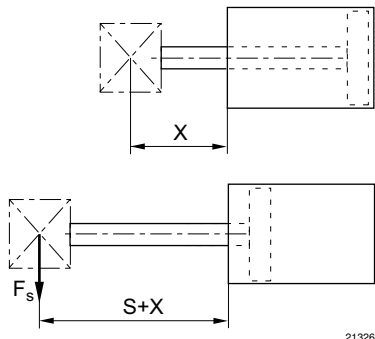
Part numbers marked in bold are available from the central warehouse in Germany, see the shopping basket for more detailed information

Pneumatics catalog, online PDF, as of 2016-01-14, ©AVENTICS S.à r.l., subject to change

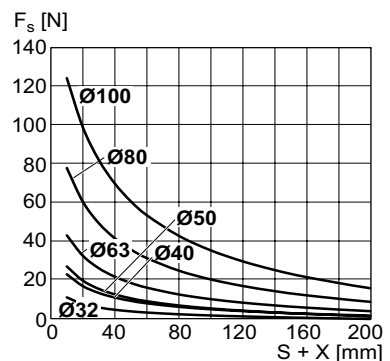
Short-stroke cylinder, Series SSI

▶ Ports: M5 - G 3/8 ▶ double-acting ▶ cushioning: elastic ▶ Piston rod geometry: Internal thread

Maximum permissible lateral force, Ø 32 - 100 mm



21326

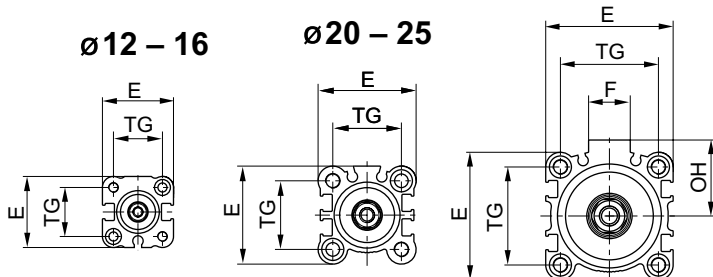


23103

X = spacing between force application point and cylinder cover
 FS = lateral force
 S = stroke

Dimensions

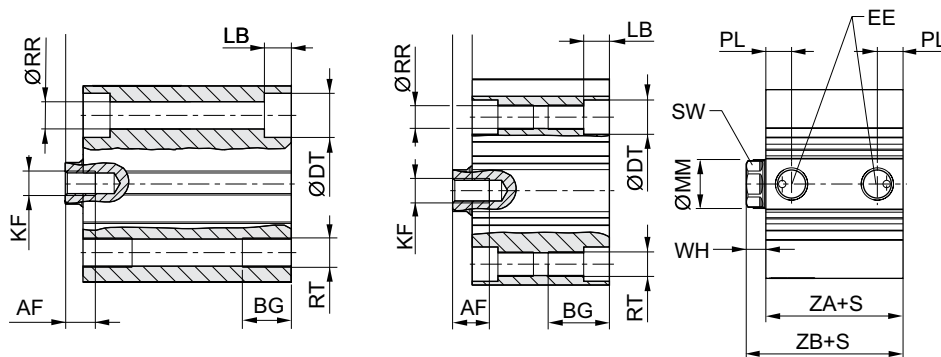
Ø32 – 100



Ø12 – 25

Ø32 – 100

Ø12 – 100



21303_a

S = stroke

Piston Ø	AF	BG	ØDT	E	EE	F	KF	LB 1)	ØMM f8	OH	ØRR	RT	SW	TG
0.47	6	7	6.5	25	M5	-	M3	3.5	6	-	3.7	M4	5	15,5 ±0,3

All dimensions in mm, unless specified otherwise.

Part numbers marked in bold are available from the central warehouse in Germany, see the shopping basket for more detailed information

Pneumatics catalog, online PDF, as of 2016-01-14, ©AVENTICS S.à r.l., subject to change

Piston rod cylinder ▶ Short-stroke and compact cylinders
Short-stroke cylinder, Series SSI

▶ Ports: M5 - G 3/8 ▶ double-acting ▶ cushioning: elastic ▶ Piston rod geometry: Internal thread

Piston Ø	AF	BG	ØDT	E	EE	F	KF	LB 1)	ØMM f8	OH	ØRR	RT	SW	TG
0.63	8	7	6.5	29	M5	-	M4	3.5	8	-	3.7	M4	7	20 ±0,3
0.79	7	10	9	36	M5	-	M5	5.5	10	-	5.55	M6	8	25,5 ±0,3
0.98	12	10	9	40	M5	-	M6	5.5	12	-	5.55	M6	10	28 ±0,3
1.26	13	16	9	45	G 1/8	17	M8	5.5	16	27	5.55	M6	13	34 ±0,3
1.57	13	16	9	52	G 1/8	17	M8	5.5	16	31	5.55	M6	13	40 ±0,3
1.97	15	20	11	64	G 1/4	21	M10	8	20	39	7.4	M8	17	50 ±0,5
2.48	15	25	14	77	G 1/4	21	M10	10.5	20	45.5	9.3	M10	17	60 ±0,5
3.15	21	30	17.5	98	G 3/8	26	M16	13.5	25	59	11.2	M12	22	77 ±0,5
3.94	27	30	17.5	117	G 3/8	26	M20	13.5	32	65	11.2	M12	27	94 ±0,5

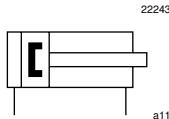
Piston Ø	WH	S	PL	ZA±0,2	ZB±2									
0.47	3,5 ±1,5	2-4 ≥5	4,5 5,5	17	20.5									
0.63	3,5 ±1,5	≥2	5.5	18.5	22									
0.79	4,5 ±1,5	≥2	5.5	19.5	24									
0.98	5 ±1,5	≥2	5.5	22.5	27									
1.26	7 ±2	2-4 ≥5	6,3 7,5	23	30									
1.57	7 ±2	≥2	7.5	29.5	36.5									
1.97	8 ±2	2-8 ≥9	8,2 10,5	30.5	38.5									
2.48	8 ±2	≥2	10.5	36	44									
3.15	10 ±2	≥2	12.5	43.5	53.5									
3.94	12 ±2,5	≥2	14	53	65									

1) max.

Piston rod cylinder ▶ Short-stroke and compact cylinders

Short-stroke cylinder, Series SSI

▶ Ports: M5 - G 3/8 ▶ double-acting ▶ with magnetic piston ▶ cushioning: elastic ▶ Piston rod geometry: Internal thread



Standards	ISO 15524
Compressed air connection	Internal thread
Ambient temperature min./max.	-4°F / +176°F
Medium temperature min./max.	-4°F / +176°F
Medium	Compressed air
Oil content of compressed air	0 mg/m ³ - 5 mg/m ³
Pressure for determining piston forces	91.35 psi

Materials:	
Cylinder tube	Aluminum, anodized
Piston rod	Stainless steel
End cover	Aluminum

See table for additional data on materials.

Technical Remarks

- The pressure dew point must be at least 27 °F under ambient and medium temperature and may not exceed 37 °F.
- The oil content of compressed air must remain constant during the life cycle.
- Use only the approved oils from AVENTICS, see chapter „Technical information“.
- Use our Internet configurator to order variants with an external thread.

Piston Ø	[mm]	12	16	20	25	32
Retracting piston force	[lbf]	11.91	21.36	33.27	53.5	85.42
Extracting piston force	[lbf]	15.96	28.55	44.51	69.46	113.97
Impact energy	[inch]	0.0221	0.0442	0.059	0.0737	0.118
Weight + inch stroke	[lbs]	0.0264	0.0374	0.0462	0.0595	0.0837
Stroke max.	[inch]	2.95	3.93	5.9	5.9	5.9
Working pressure min./max.	[psi]	15 - 145	15 - 145	15 - 145	15 - 145	9 - 145
Material, front cover		Brass	Brass	Brass	Aluminum	Aluminum
Scraper material		Nitrile butadiene rubber	Nitrile butadiene rubber	Nitrile butadiene rubber	Nitrile butadiene rubber	Polyurethane
Sealing material		Nitrile butadiene rubber	Nitrile butadiene rubber	Nitrile butadiene rubber	Nitrile butadiene rubber	Polyurethane

Piston Ø	[mm]	40	50	63	80	100
Retracting piston force	[lbf]	149.49	233.57	397	642.25	998.34
Extracting piston force	[lbf]	178.04	278.08	441.51	711.94	1112.31
Impact energy	[inch]	0.177	0.236	0.2802	0.3171	0.3687
Weight + inch stroke	[lbs]	0.097	0.1477	0.1741	0.2689	0.3703
Stroke max.	[inch]	5.9	5.9	5.9	5.9	5.9
Working pressure min./max.	[psi]	9 - 145	9 - 145	9 - 145	9 - 145	9 - 145
Material, front cover		Aluminum	Aluminum	Aluminum	Aluminum	Aluminum
Scraper material		Polyurethane	Polyurethane	Polyurethane	Polyurethane	Polyurethane
Sealing material		Polyurethane	Polyurethane	Polyurethane	Polyurethane	Polyurethane

All dimensions in mm, unless specified otherwise.

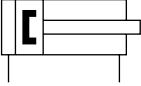
Part numbers marked in bold are available from the central warehouse in Germany, see the shopping basket for more detailed information

Pneumatics catalog, online PDF, as of 2016-01-14, ©AVENTICS S.à r.l., subject to change

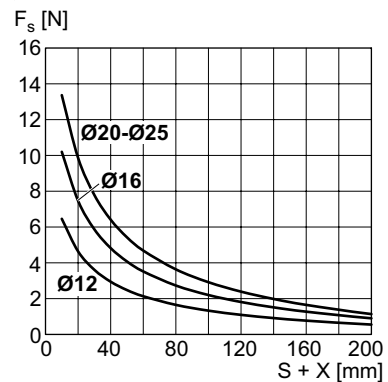
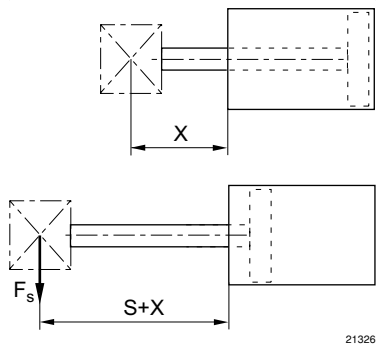
Piston rod cylinder ▶ Short-stroke and compact cylinders

Short-stroke cylinder, Series SSI

▶ Ports: M5 - G 3/8 ▶ double-acting ▶ with magnetic piston ▶ cushioning: elastic ▶ Piston rod geometry: Internal thread

Piston Ø Piston rod thread Ports Piston rod Ø	12	16	20	25	32	
	M3 M5 6	M4 M5 8	M5 M5 10	M6 M5 12	M8 G 1/8 16	
	Stroke 0.2	R412019800	R412019808	R412019816	R412019824	R412019832
	0.39	R412019801	R412019809	R412019817	R412019825	R412019833
	0.59	R412019802	R412019810	R412019818	R412019826	R412019834
	0.79	R412019803	R412019811	R412019819	R412019827	R412019835
	0.98	R412019804	R412019812	R412019820	R412019828	R412019836
	1.18	R412019805	R412019813	R412019821	R412019829	R412019837
	1.57	R412019806	R412019814	R412019822	R412019830	R412019838
	1.97	R412019807	R412019815	R412019823	R412019831	R412019839
	3.15	-	-	-	-	R412019840
	3.94	-	-	-	-	R412019841
Piston Ø Piston rod thread Ports Piston rod Ø	40	50	63	80	100	
	M8 G 1/8 16	M10 G 1/4 20	M10 G 1/4 20	M16 G 3/8 25	M20 G 3/8 32	
Stroke 0.2	R412019842	R412019852	R412019862	R412019872	R412019882	
0.39	R412019843	R412019853	R412019863	R412019873	R412019883	
0.59	R412019844	R412019854	R412019864	R412019874	R412019884	
0.79	R412019845	R412019855	R412019865	R412019875	R412019885	
0.98	R412019846	R412019856	R412019866	R412019876	R412019886	
1.18	R412019847	R412019857	R412019867	R412019877	R412019887	
1.57	R412019848	R412019858	R412019868	R412019878	R412019888	
1.97	R412019849	R412019859	R412019869	R412019879	R412019889	
3.15	R412019850	R412019860	R412019870	R412019880	R412019890	
3.94	R412019851	R412019861	R412019871	R412019881	R412019891	

Maximum permissible lateral force, Ø 12 - 25 mm



X = spacing between force application point and cylinder cover
 FS = lateral force
 S = stroke

All dimensions in mm, unless specified otherwise.

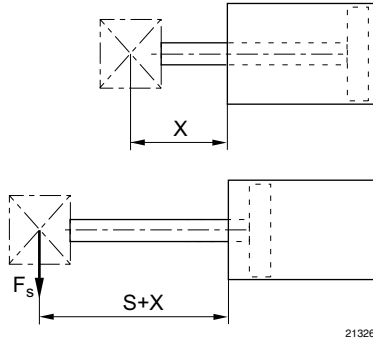
Part numbers marked in bold are available from the central warehouse in Germany, see the shopping basket for more detailed information

Pneumatics catalog, online PDF, as of 2016-01-14, ©AVENTICS S.à r.l., subject to change

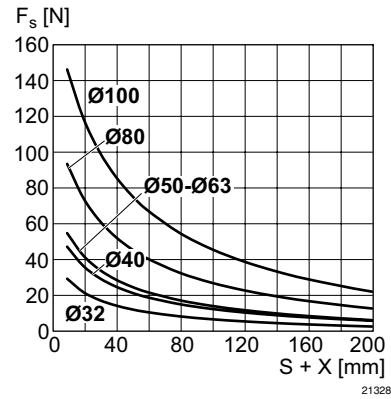
Short-stroke cylinder, Series SSI

▶ Ports: M5 - G 3/8 ▶ double-acting ▶ with magnetic piston ▶ cushioning: elastic ▶ Piston rod geometry: Internal thread

Maximum permissible lateral force, $\varnothing 32 - 100$ mm



21326



21328

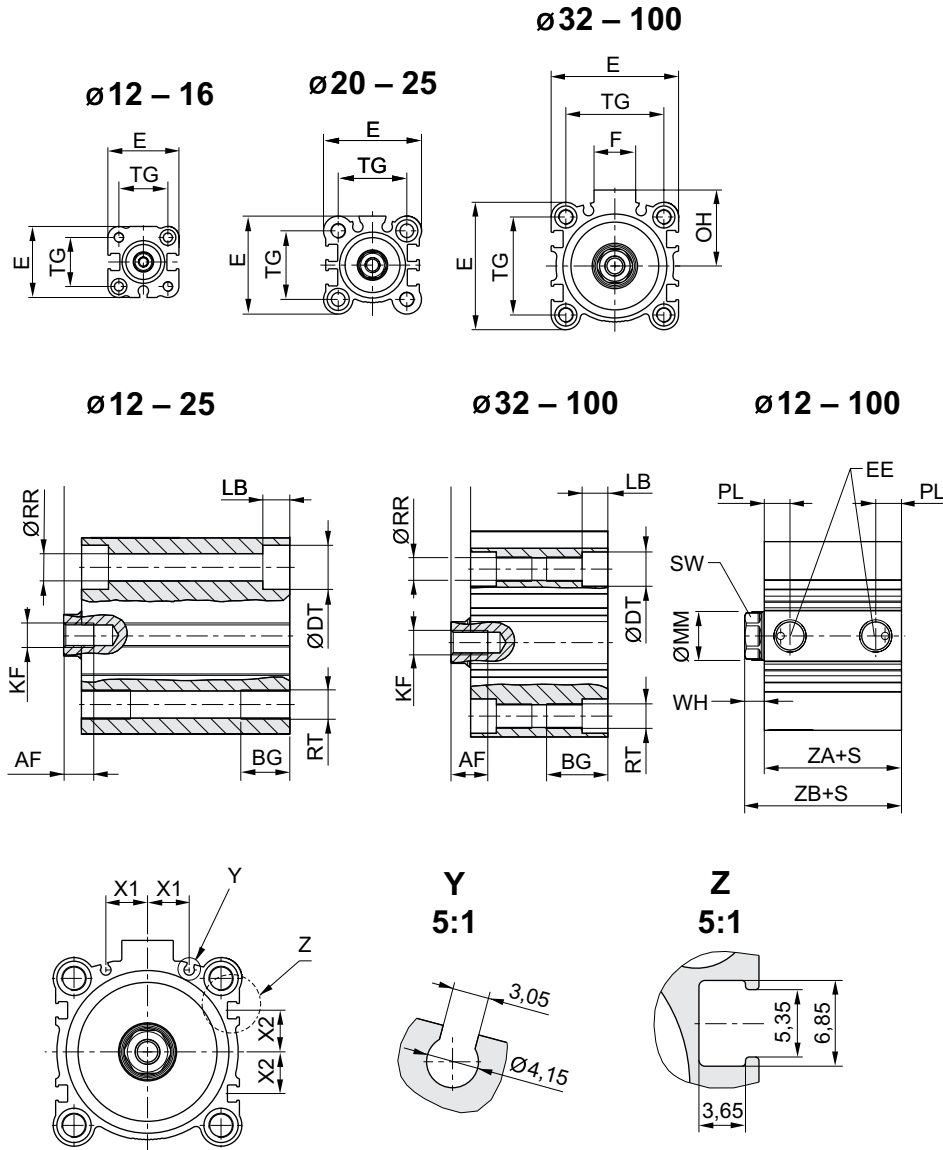
X = spacing between force application point and cylinder cover
 FS = lateral force
 S = stroke

Piston rod cylinder ▶ Short-stroke and compact cylinders

Short-stroke cylinder, Series SSI

▶ Ports: M5 - G 3/8 ▶ double-acting ▶ with magnetic piston ▶ cushioning: elastic ▶ Piston rod geometry: Internal thread

Dimensions



S = stroke

21303

Piston Ø	AF	BG	ØDT	E	EE	F	KF	LB 1)	ØMM f8	OH	PL	ØRR	RT	SW
0.47	6	7	6.5	25	M5	-	M3	3.5	6	-	5.5	3.7	M4	5
0.63	8	7	6.5	29	M5	-	M4	3.5	8	-	5.5	3.7	M4	7
0.79	7	10	9	36	M5	-	M5	5.5	10	-	5.5	5.55	M6	8
0.98	12	10	9	40	M5	-	M6	5.5	12	-	5.5	5.55	M6	10
1.26	13	16	9	45	G 1/8	17	M8	5.5	16	27	7.5	5.55	M6	13
1.57	13	16	9	52	G 1/8	17	M8	5.5	16	31	7.5	5.55	M6	13
1.97	15	20	11	64	G 1/4	21	M10	8	20	39	10.5	7.4	M8	17
2.48	15	25	14	77	G 1/4	21	M10	10.5	20	45.5	10.5	9.3	M10	17
3.15	21	30	17.5	98	G 3/8	26	M16	13.5	25	59	12.5	11.2	M12	22
3.94	27	30	17.5	117	G 3/8	26	M20	13.5	32	65	14	11.2	M12	27

All dimensions in mm, unless specified otherwise.

Part numbers marked in bold are available from the central warehouse in Germany, see the shopping basket for more detailed information

Pneumatics catalog, online PDF, as of 2016-01-14, ©AVENTICS S.à r.l., subject to change

Piston rod cylinder ▶ Short-stroke and compact cylinders
Short-stroke cylinder, Series SSI

▶ Ports: M5 - G 3/8 ▶ double-acting ▶ with magnetic piston ▶ cushioning: elastic ▶ Piston rod geometry: Internal thread

Piston Ø	TG	WH	X1	X2	ZA±0,2	ZB±2						
0.47	15,5 ±0,3	3,5 ±1,5	0	0	28	31.5						
0.63	20 ±0,3	3,5 ±1,5	0	0	30.5	34						
0.79	25,5 ±0,3	4,5 ±1,5	5.7	4.3	31.5	36						
0.98	28 ±0,3	5 ±1,5	6	5	32.5	37.5						
1.26	34 ±0,3	7 ±2	8.5	7.5	33	40						
1.57	40 ±0,3	7 ±2	10.8	11	39.5	46.5						
1.97	50 ±0,5	8 ±2	14	13	40.5	48.5						
2.48	60 ±0,5	8 ±2	17	17	46	54						
3.15	77 ±0,5	10 ±2	23.5	21	53.5	63.5						
3.94	94 ±0,5	12 ±2,5	31	28	63	75						

1) max.

All dimensions in mm, unless specified otherwise.

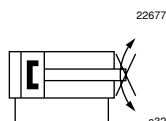
Part numbers marked in bold are available from the central warehouse in Germany, see the shopping basket for more detailed information

Pneumatics catalog, online PDF, as of 2016-01-14, ©AVENTICS S.à r.l., subject to change

Piston rod cylinder ▶ Short-stroke and compact cylinders

Short-stroke cylinder, Series SSI

▶ Ports: M5 - G 1/4 ▶ double-acting ▶ with magnetic piston ▶ cushioning: elastic ▶ Piston rod geometry: non-rotating, with front plate



Standards	ISO 15524
Compressed air connection	Internal thread
Ambient temperature min./max.	-4°F / +176°F
Medium temperature min./max.	-4°F / +176°F
Medium	Compressed air
Oil content of compressed air	0 mg/m ³ - 5 mg/m ³
Pressure for determining piston forces	91.35 psi

Materials:	
Cylinder tube	Aluminum, anodized
Piston rod	Stainless steel
End cover	Aluminum
Front plate	Aluminum
Guide rod	Stainless steel

See table for additional data on materials.

Technical Remarks

- The pressure dew point must be at least 27 °F under ambient and medium temperature and may not exceed 37 °F.
- The oil content of compressed air must remain constant during the life cycle.
- Use only the approved oils from AVENTICS, see chapter „Technical information“.

Piston Ø	[mm]	20	25	32	40	50
Retracting piston force	[lbf]	33.27	53.5	85.42	149.49	233.57
Extracting piston force	[lbf]	44.51	69.46	113.97	178.04	278.08
Impact energy	[inch]	0.059	0.0737	0.118	0.177	0.236
Weight	+ inch stroke [lbs]	0.0462	0.0617	0.0859	0.0992	0.1543
Stroke max.	[inch]	5.9	5.9	5.9	5.9	5.9
Working pressure min./max.	[psi]	15 - 145	15 - 145	9 - 145	9 - 145	9 - 145
Material, front cover		Brass	Aluminum	Aluminum	Aluminum	Aluminum
Scraper material		Nitrile butadiene rubber	Nitrile butadiene rubber	Polyurethane	Polyurethane	Polyurethane
Sealing material		Nitrile butadiene rubber	Nitrile butadiene rubber	Polyurethane	Polyurethane	Polyurethane

Piston Ø	[mm]	63			
Retracting piston force	[lbf]	397			
Extracting piston force	[lbf]	441.51			
Impact energy	[inch]	0.2802			
Weight	+ inch stroke [lbs]	0.1829			
Stroke max.	[inch]	5.9			
Working pressure min./max.	[psi]	9 - 145			
Material, front cover		Aluminum			
Scraper material		Polyurethane			
Sealing material		Polyurethane			

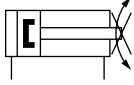
All dimensions in mm, unless specified otherwise.

Part numbers marked in bold are available from the central warehouse in Germany, see the shopping basket for more detailed information

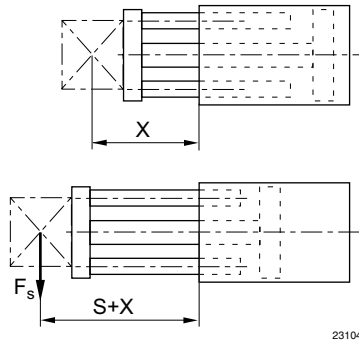
Pneumatics catalog, online PDF, as of 2016-01-14, ©AVENTICS S.à r.l., subject to change

Short-stroke cylinder, Series SSI

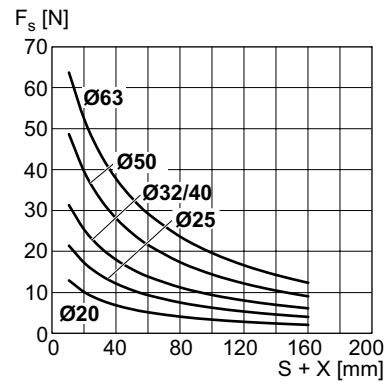
▶ Ports: M5 - G 1/4 ▶ double-acting ▶ with magnetic piston ▶ cushioning: elastic ▶ Piston rod geometry: non-rotating, with front plate

Piston Ø Ports Piston rod Ø	20	25	32	40	50	
	M5 10	M5 12	G 1/8 16	G 1/8 16	G 1/4 20	
	Stroke 0.2	R480637940	R480637948	R480637956	R480637964	R480637972
	0.39	R480637941	R480637949	R480637957	R480637965	R480637973
	0.59	R480637942	R480637950	R480637958	R480637966	R480637974
	0.79	R480637943	R480637951	R480637959	R480637967	R480637975
	0.98	R480637944	R480637952	R480637960	R480637968	R480637976
	1.18	R480637945	R480637953	R480637961	R480637969	R480637977
	1.57	R480637946	R480637954	R480637962	R480637970	R480637978
	1.97	R480637947	R480637955	R480637963	R480637971	R480637979
	3.15	-	-	R480644584	R480644585	R480637980
	3.94	-	-	R480641813	R480644586	R480637981
	Piston Ø Ports Piston rod Ø	63 G 1/4 20				
	Stroke 0.2	R480637982				
	0.39	R480637983				
	0.59	R480637984				
	0.79	R480637985				
0.98	R480637986					
1.18	R480637987					
1.57	R480637988					
1.97	R480637989					
3.15	R480637990					
3.94	R480637991					

Maximum permissible lateral force, Dynamic



23104



23106

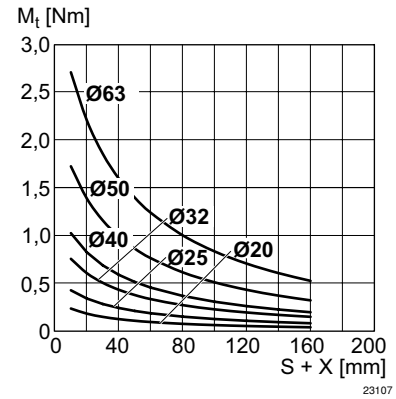
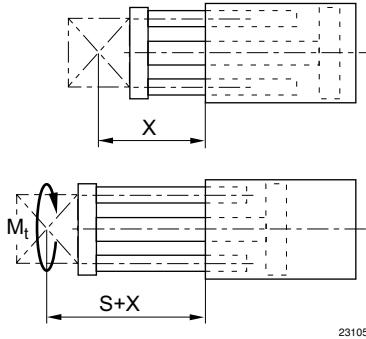
X = spacing between force application point and cylinder cover
 F_s = lateral force
 S = stroke

Piston rod cylinder ▶ Short-stroke and compact cylinders

Short-stroke cylinder, Series SSI

▶ Ports: M5 - G 1/4 ▶ double-acting ▶ with magnetic piston ▶ cushioning: elastic ▶ Piston rod geometry: non-rotating, with front plate

Max. permissible torque, Dynamic

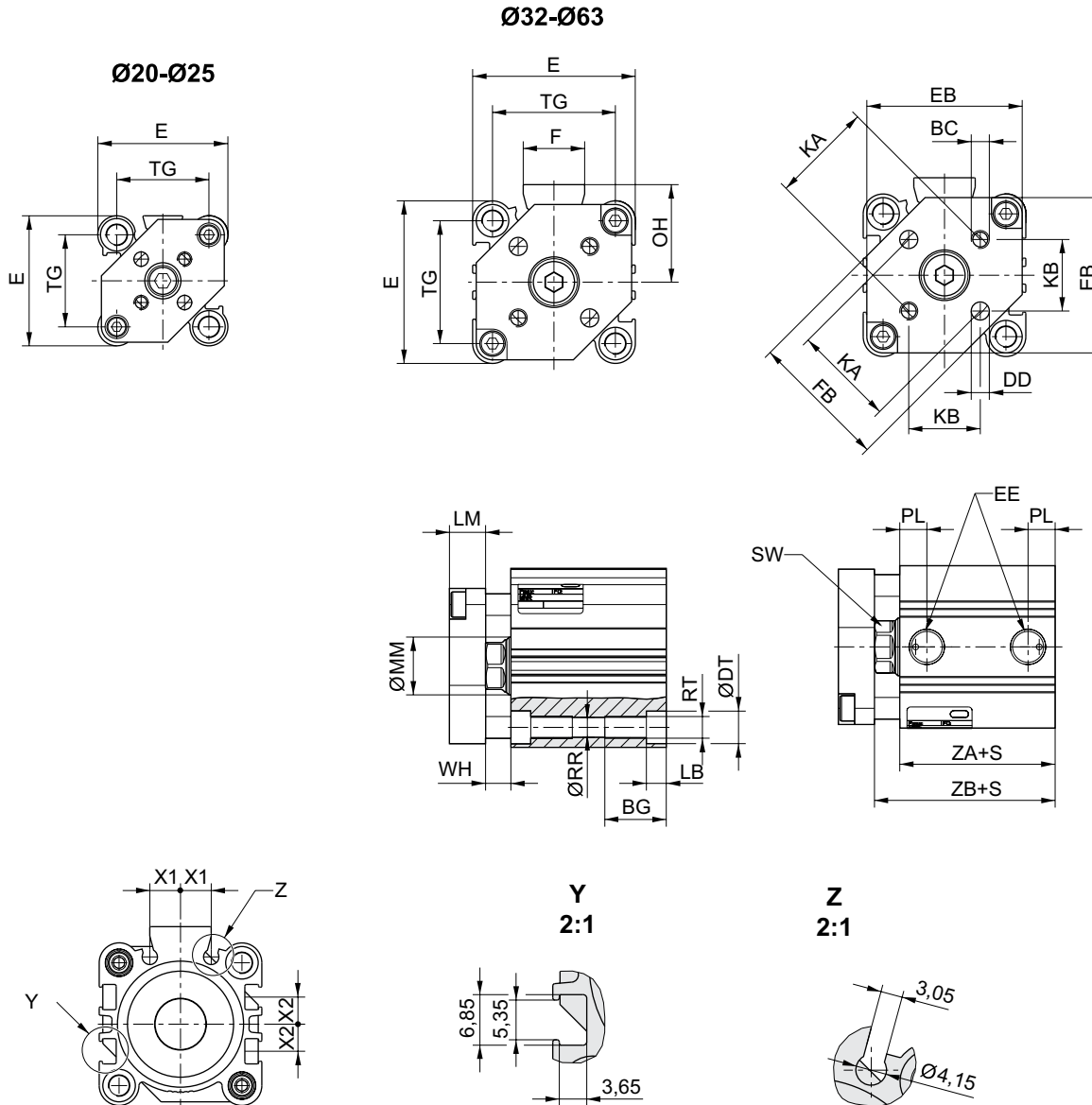


X = spacing between force application point and cylinder cover
M = max. permissible torque
S = stroke

Short-stroke cylinder, Series SSI

▶ Ports: M5 - G 1/4 ▶ double-acting ▶ with magnetic piston ▶ cushioning: elastic ▶ Piston rod geometry: non-rotating, with front plate

Dimensions



S = stroke

22836

Piston Ø	BC	BG	ØDD H13	ØDT	E	EB	EE	F	FB	KA	KB	LB 1)	LM	ØMM f8
0.79	M4	16	4	9	36	34	M5	-	26	17 ±0,1	12 ±0,1	5.5	8	10
0.98	M5	16	5	9	40	38	M5	-	30	22 ±0,1	15,6 ±0,1	5.5	8	12
1.26	M5	16	5	9	45	43	G 1/8	17	38	28 ±0,2	19,8 ±0,2	5.5	10	16
1.57	M5	16	5	9	52	50	G 1/8	17	46	33 ±0,2	23,3 ±0,2	5.5	10	16
1.97	M6	20	6	11	64	62	G 1/4	21	58	42 ±0,2	29,7 ±0,2	8	12	20
2.48	M6	25	6	14	77	74	G 1/4	21	69	50 ±0,2	35,4 ±0,2	10.5	12	20

All dimensions in mm, unless specified otherwise.

Part numbers marked in bold are available from the central warehouse in Germany, see the shopping basket for more detailed information

Pneumatics catalog, online PDF, as of 2016-01-14, ©AVENTICS S.à r.l., subject to change

Piston rod cylinder ▶ Short-stroke and compact cylinders
Short-stroke cylinder, Series SSI

▶ Ports: M5 - G 1/4 ▶ double-acting ▶ with magnetic piston ▶ cushioning: elastic ▶ Piston rod geometry: non-rotating, with front plate

Piston Ø	OH	PL	ØRR	RT	SW	TG	WH	X1	X2	ZA±0,2	ZB±2
0.79	-	5.5	5.55	M6	8	25,5 ±0,3	4,5 ±1,5	5.7	4.3	29.5	34
0.98	-	5.5	5.55	M6	10	28 ±0,3	5 ±1,5	6	5	32.5	37.5
1.26	27	7.5	5.55	M6	13	34 ±0,3	7 ±2	8.5	7.5	33	40
1.57	31	7.5	5.55	M6	13	40 ±0,3	7 ±2	10.8	11	39.5	46.5
1.97	39	10.5	7.4	M8	17	50 ±0,5	8 ±2	14	13	40.5	48.5
2.48	45.5	10.5	9.3	M10	17	60 ±0,5	8 ±2	17	17	46	54

1) max.

Short-stroke cylinder, Series SSI

▶ cushioning: elastic ▶ Piston rod geometry: external thread



22244

Standards

ISO 15524

Materials:

Piston rod

Stainless steel

Nut for piston rod

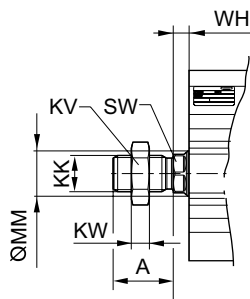
Steel, galvanized

For additional technical data please see the relevant data sheets for the standard version.

Technical Remarks

- The pressure dew point must be at least 27 °F under ambient and medium temperature and may not exceed 37 °F.
- The oil content of compressed air must remain constant during the life cycle.
- Use only the approved oils from AVENTICS, see chapter „Technical information“.
- For this variant with external thread, two different external threads with the dimensions indicated below can be selected in the configurator .

Dimensions



21321

Compatible with piston rod accessories

Ø	A ±0,3	KK	KV	KW	ØMM f8	SW	WH					
12	10.5	M4	7	2.2	6	5	3,5 ±1,5					
16	12	M6	10	3.2	8	7	3,5 ±1,5					
20	14	M8	13	4	10	8	4,5 ±1,5					
25	17.5	M10x1,25	17	6	12	10	5 ±1,5					
32	21.5	M12x1,25	18	6	16	13	7 ±2					
40	21.5	M12x1,25	18	6	16	13	7 ±2					
50	26.5	M16x1,5	24	8	20	17	7 ±2					
63	26.5	M16x1,5	24	8	20	17	7 ±2					
80	34	M20x1,5	30	10	25	22	9,5 ±2					
100	33	M20x1,5	30	10	32	27	10,5 ±2,5					

Compatible with third-party products

Ø	A ±0,3	KK	KV	KW	ØMM f8	SW	WH					
12	10.5	M5	8	2.7	6	5	3,5 ±1,5					

All dimensions in mm, unless specified otherwise.

Part numbers marked in bold are available from the central warehouse in Germany, see the shopping basket for more detailed information

Pneumatics catalog, online PDF, as of 2016-01-14, ©AVENTICS S.à r.l., subject to change

Piston rod cylinder ▶ Short-stroke and compact cylinders
Short-stroke cylinder, Series SSI

▶ cushioning: elastic ▶ Piston rod geometry: external thread

\varnothing	A $\pm 0,3$	KK	KV	KW	\varnothing MM f8	SW	WH					
16	12	M6	10	3.2	8	7	3,5 \pm 1,5					
20	14	M8	13	4	10	8	4,5 \pm 1,5					
25	17.5	M10x1,25	17	6	12	10	5 \pm 1,5					
32	21.5	M14x1,5	22	8	16	13	7 \pm 2					
40	21.5	M14x1,5	22	8	16	13	7 \pm 2					
50	26.5	M18x1,5	27	9	20	17	7 \pm 2					
63	26.5	M18x1,5	27	9	20	17	7 \pm 2					
80	34	M22x1,5	32	10	25	22	9,5 \pm 2					
100	33	M26x1,5	41	13.5	32	27	10,5 \pm 2,5					

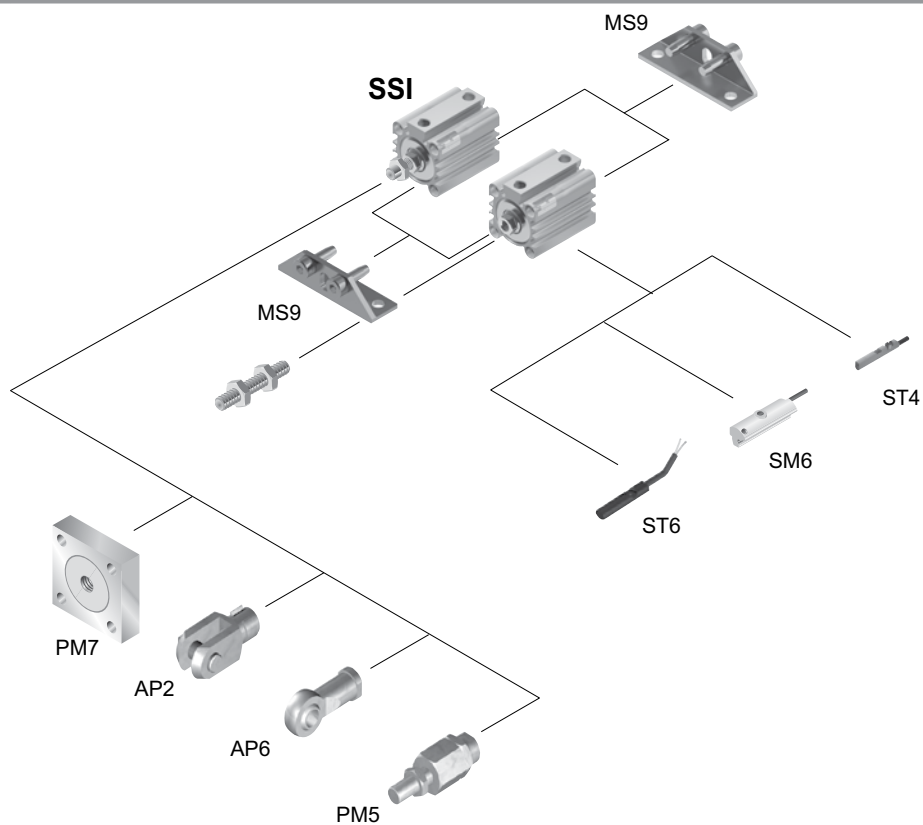
All dimensions in mm, unless specified otherwise.

Part numbers marked in bold are available from the central warehouse in Germany, see the shopping basket for more detailed information

Pneumatics catalog, online PDF, as of 2016-01-14, ©AVENTICS S.à r.l., subject to change

Accessories overview

Overview drawing



21313

Use our Internet configurator to order variants with an external thread.

NOTE:

This overview drawing is only for orientation to see where the various accessory parts can be fastened to the cylinder. The illustration has been simplified for this purpose. It is thus not possible to derive the dimensions from this overview.

Piston rod cylinder ▶ Short-stroke and compact cylinders

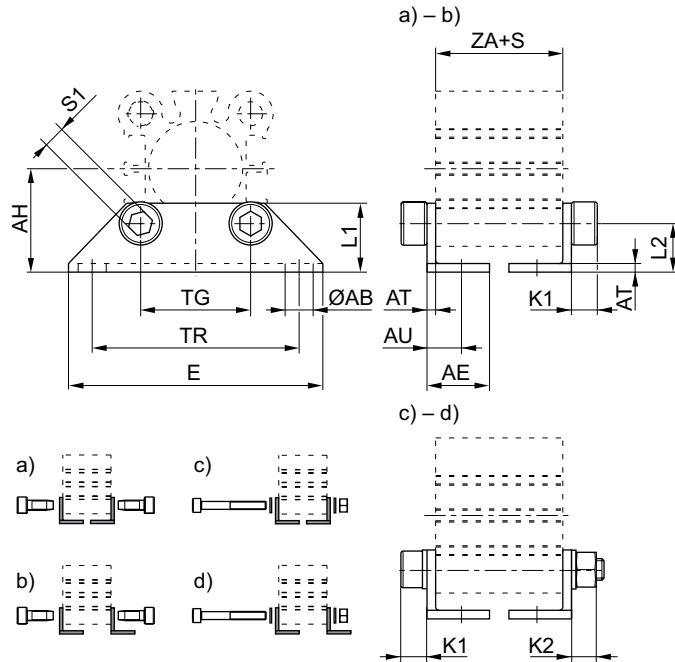
ISO 15524, Series SSI Accessories

Foot mounting, Series MS9

▶ Cylinder mounting for cylinder in accordance with ISO 15524



23321



21325

S = stroke

Dimensions and cylinder-dependent installation options

Part No.	Piston Ø	Installation options	ZA+S, min.	Min. stroke (with magnetic piston)	Min. stroke (without magnetic piston)	Mounting screw	K1	K2	S1
R402006266	12	b)	21	2	4	-	4	-	3
		a) b)	22	2	5	-	4	-	3
R402006267	16	b)	21	2	4	-	4	-	3
		a) b)	22	2	4	-	4	-	3
R402006268	20	d)	23.5	2	4	45	6	5,7	4
		c) d)	26.5	2	7	45	6	5,7	4
		a) b)	29.5	2	10	-	6	-	5
R402006269	25	d)	26.5	2	4	45	6	5,7	4
		a) b)	29.5	2	7	-	6	-	5
R402006270	32	d)	27	2	4	50	6	5,7	4
		c) d)	29	2	6	50	6	5,7	4
		a) b)	35	2	12	-	6	-	5
R402006271	40	c) d)	33.5	2	4	50	6	5,7	4
		a) b)	35.5	2	6	-	6	-	5
R402006272	50	d)	34.5	2	4	60	7,6	6,8	5
		c) d)	39.5	2	9	60	7,6	6,8	5
		a) b)	45.5	5	15	-	8	-	6
R402006273	63	d)	40	2	4	80	9,6	8,4	6
		c) d)	43	3	7	80	9,6	8,4	6
		a) b)	53	7	17	-	10	-	8
R402006274	80	d)	47.5	2	4	90	12	10,4	8
		c) d)	51.5	2	8	90	12	10,4	8
		a) b)	61.5	8	18	-	12	-	10
R402006275	100	d)	57	2	4	90	12	10,4	8
		c) d)	58	2	5	90	12	10,4	8
		a) b)	61	2	8	-	12	-	10

All dimensions in mm, unless specified otherwise.

Part numbers marked in bold are available from the central warehouse in Germany, see the shopping basket for more detailed information

Pneumatics catalog, online PDF, as of 2016-01-14, ©AVENTICS S.à r.l., subject to change

ISO 15524, Series SSI

Accessories

Part No.	Ø AB	AE	AH	AT	AU	E	L1	L2	TG	TR	Note
R402006266	4.5	12.5	17	2	8	44	13	9.3	15.5	34	1)
R402006267	4.5	12.5	19	2	8	47	13	9	20	38	1)
R402006268	6.5	14.5	24	2	8	59	16	11.3	25.5	48	1)
R402006269	6.5	16	26	2	9.5	63	17	12	28	52	1)
R402006270	6.5	16.8	30	3	11	69	18.5	13	34	57	1)
R402006271	6.5	17	33	3	11	75	20	13	40	64	1)
R402006272	9	22	39	3	14.5	93.5	25	14	50	79	1)
R402006273	11	25	46	4	17	113	25	16	60	95	1)
R402006274	13	30	59	5	20	138	35	20.5	77	118	2) 3)
R402006275	13	33.5	71	5	22	159	40	24	94	137	2) 3)

Scope of delivery: 2 foot mountings incl. mounting screws

ZA + S = cylinder length incl. stroke

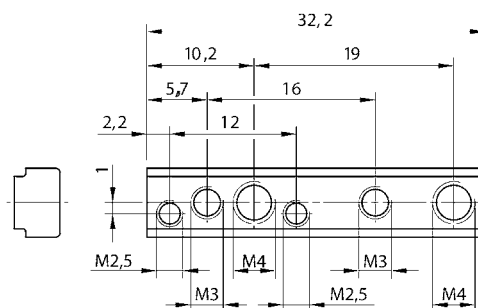
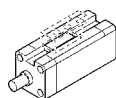
S = stroke

1) Material: Stainless steel

2) Material: Steel

3) Surface: galvanized

Mounting kit



00111998

Part No.	Ø mm	Material	Material Screws	Surface Screws					
1827020275	16-100	Brass	Steel	galvanized					

All dimensions in mm, unless specified otherwise.

Part numbers marked in bold are available from the central warehouse in Germany, see the shopping basket for more detailed information

Pneumatics catalog, online PDF, as of 2016-01-14, ©AVENTICS S.à r.l., subject to change

Piston rod cylinder ▶ Short-stroke and compact cylinders

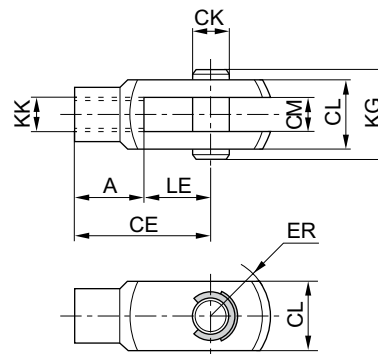
ISO 15524, Series SSI Accessories

Rod clevis with lock washer, Series AP2

▶ Stainless steel



P300_006



24270

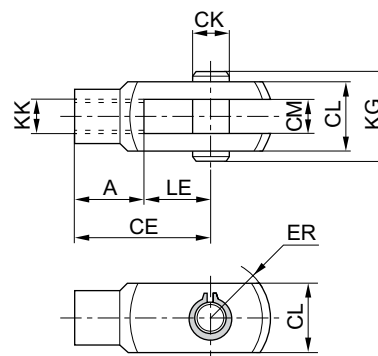
Part No.	KK	A	CE	CK e8	CL	CM B12	ER	KG	LE	Material
3330510000	M4	8	16	4	10	5	6	15	8	Stainless steel
3590502000	M10x1,25	20	40	10	20	10	12	26	20	Stainless steel
3590504000	M12x1,25	24	48	12	24	12	14	31	24	Stainless steel
3590505000	M16x1,5	32	64	16	32	16	19	39	32	Stainless steel

Rod clevis with circlip, Series AP2

▶ Stainless steel



P300_006



24271

Part No.	KK	A	CE	CK e8	CL	CM B12	ER	KG	LE	Material
3330516000	M6	12	24	6	12	6	7	17	12	Stainless steel
2990600505	M16x1,5	32	64	16	32	16	19	39	32	Stainless steel, acid-proof
2990600508	M20x1,5	40	80	20	40	20	20	49	40	Stainless steel, acid-proof

All dimensions in mm, unless specified otherwise.

Part numbers marked in bold are available from the central warehouse in Germany, see the shopping basket for more detailed information

Pneumatics catalog, online PDF, as of 2016-01-14, ©AVENTICS S.à r.l., subject to change

ISO 15524, Series SSI

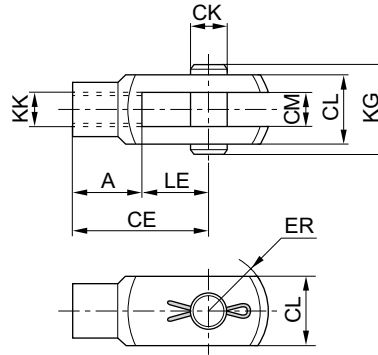
Accessories

Rod clevis with split pin, Series AP2

▶ Stainless steel



P300_006



24272

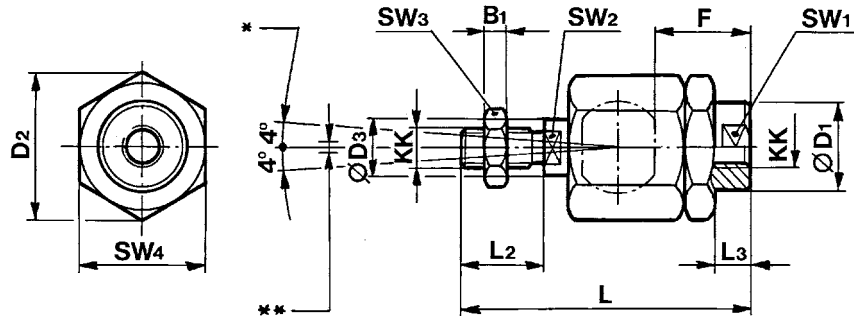
Part No.	KK	A	CE	CK e8	CL	CM B12	ER	KG	LE	Material
3330520000	M8	16	32	8	16	8	10	22	16	Stainless steel

Part No.	Weight									
	[lbs]									
3330520000	0.1102									

Flexible spherical coupling, Series PM5



00105169



D300_029

* angle equalization
 ** Radial joint from 0,5 - 2 mm
 Axial play set to 0.05 to 0.2 mm

Part No.	KK	B1	Ø D1	D2	Ø D3	F	L ±2	L2	L3 ±1	SW1	SW2	SW3
1826409008	M4	2.2	12	13.5	4	13	33	8	5.6	12	3.2	7
1826409000	M6	3.2	8.5	15	6	11.5	39	12	3.5	7	5	10
1826409001	M8	4	12.5	20	8	14.5	55	15	5	10	6	13
1826409002	M10x1,25	6	21.5	34	14	23	73	20	7.5	19	12	17
1826409003	M12x1,25	7	21.5	34	14	28	77	24	13	19	12	19
1826409004	M16x1,5	8	33.5	47	22	32	108	32	9	30	19	24
1826409005	M20x1,5	10	33.5	47	22	42	122	40	19	30	19	30

All dimensions in mm, unless specified otherwise.

Part numbers marked in bold are available from the central warehouse in Germany, see the shopping basket for more detailed information

Pneumatics catalog, online PDF, as of 2016-01-14, ©AVENTICS S.à r.l., subject to change

Piston rod cylinder ▶ Short-stroke and compact cylinders

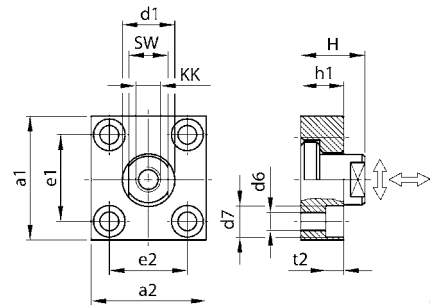
ISO 15524, Series SSI
Accessories

Part No.	SW4	Material	Surface	Weight							
				[lbs]							
1826409008	12	Steel	galvanized	0.044							
1826409000	13	Steel	galvanized	0.044							
1826409001	17	Steel	galvanized	0.1102							
1826409002	30	Steel	galvanized	0.4629							
1826409003	30	Steel	galvanized	0.4629							
1826409004	41	Steel	galvanized	1.43							
1826409005	41	Steel	galvanized	1.5							

Flexible plate coupling, Series PM7



00105170



00105194

Part No.	KK	a1	a2	d1 h11	d6 H13	d7 H13	e1 H13	e2	h1	t2	H
1827001629	M10x1,25	60	37	20	6.6	11	36 ±0,15	23 ±0,15	15	7	24
1827001630	M12x1,25	60	56	25	9	15	42 ±0,2	38 ±0,2	20	9	30
1827001631	M16x1,5	80	80	30	11	18	58 ±0,2	58 ±0,2	20	11	32
1827001632	M20x1,5	90	90	40	14	20	65 ±0,3	65 ±0,3	20	13	35

Part No.	SW	Tightening torque for the coupling pin Ma ± 5%	Axial play	radial play	Material	Surface	Weight		
		[Nm]	min./max.	min./max.			[lbs]		
1827001629	17	12.54	0.02	0.04	Steel	galvanized	0.6613		
1827001630	19	21.39	0.02	0.04	Steel	galvanized	0.8818		
1827001631	24	52.37	0.02	0.04	Steel	galvanized	1.98		
1827001632	36	101.79	0.02	0.04	Steel	galvanized	2.54		

All dimensions in mm, unless specified otherwise.

Part numbers marked in bold are available from the central warehouse in Germany, see the shopping basket for more detailed information

Pneumatics catalog, online PDF, as of 2016-01-14, ©AVENTICS S.à r.l., subject to change

ISO 15524, Series SSI

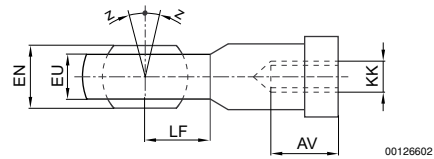
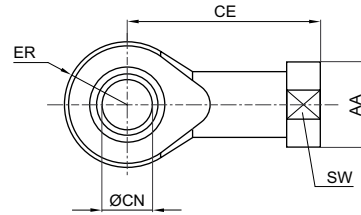
Accessories

Ball eye rod end with flange, Series AP6

▶ Steel



00105172



00126602

Part No.	KK	AA	AV min.	CE	Ø CN H7	EN -0,1	ER	EU max.	LF	SW	Z [°] max.
1822124000	M4	12	8	27	5	8	9	7.5	9	9	4
1822124001	M6	13	9	30	6	9	10	7.5	10	11	4
1822124002	M8	16	12	36	8	12	12	9.5	12	14	4
1822124003	M10x1,25	19	15	43	10	14	14	11.5	14	17	4
1822124004	M12x1,25	22	18	50	12	16	16	12.5	16	19	4
1822124005	M16x1,5	27	24	64	16	21	21	15.5	21	22	4
8958209032	M10x1,25	19	15	43	10	14	14	10.5	14	17	6.5
8958209042	M12x1,25	22	18	50	12	16	16	12	16	19	6.5
8958209052	M16x1,5	27	24	64	16	21	21	15	21	22	7.5
8958209062	M20x1,5	34	30	77	20	25	25	18	25	30	7.5

Part No.	Material	Surface	Weight [lbs]								
1822124000	Steel	galvanized	0.044								
1822124001	Steel	galvanized	0.0661								
1822124002	Steel	galvanized	0.1102								
1822124003	Steel	galvanized	0.1543								
1822124004	Steel	galvanized	0.2645								
1822124005	Steel	galvanized	0.4629								
8958209032	Stainless steel	-	0.1984								
8958209042	Stainless steel	-	0.2645								
8958209052	Stainless steel	-	0.507								
8958209062	Stainless steel	-	0.9038								

All dimensions in mm, unless specified otherwise.

Part numbers marked in bold are available from the central warehouse in Germany, see the shopping basket for more detailed information

Pneumatics catalog, online PDF, as of 2016-01-14, ©AVENTICS S.à r.l., subject to change

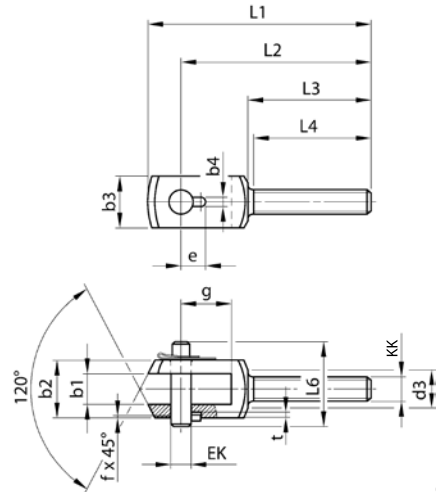
Piston rod cylinder ▶ Short-stroke and compact cylinders

ISO 15524, Series SSI
Accessories

Rod clevis, Series PM6



00105173



00105197

Scope of delivery incl. bolt

Part No.	KK	b1 B12	b2 d12	b3	b4 +0,2	d3	e +0,3	EK	f	g	L1	L2
1822122032	M10x1,25	14	28	20	3.3	17	11.5	10	0.7	20	90	78
1822122033	M12x1,25	16	30	25	4.3	19	12	12	1	26	108	92
1822122034	M16x1,5	21	40	35	4.3	24	14	16	1	31	129	108
1822122035	M20x1,5	25	50	40	4.3	30	16	20	1	43	156	131

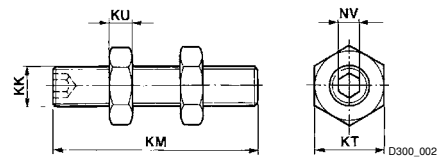
Part No.	L3	L4 +1	L6	t +0,2	Material	Surface					
1822122032	53	50	35	3	Steel	galvanized					
1822122033	58	55	39	3	Steel	galvanized					
1822122034	65	62	50	3	Steel	galvanized					
1822122035	73	69	60	3	Steel	galvanized					

Male threaded rods

▶ for Series KHZ and SSI with internal thread



P300_001



D300_002

All dimensions in mm, unless specified otherwise.

Part numbers marked in bold are available from the central warehouse in Germany, see the shopping basket for more detailed information

Pneumatics catalog, online PDF, as of 2016-01-14, ©AVENTICS S.à r.l., subject to change

ISO 15524, Series SSI
Accessories

Part No.	KK	For series	KM	KT	KU	NV	Material	Weight [lbs]		
2701412000	M3	KHZ and SSI with internal thread	20	5.5	1.8	1.5	Stainless steel	0.022		
2701420000	M5	KHZ and SSI with internal thread	25	8	2.7	2.5	Stainless steel	0.033		
2701432000	M6	KHZ and SSI with internal thread	30	10	3.2	3	Stainless steel	0.044		
2701450000	M8	KHZ and SSI with internal thread	35	13	4	4	Stainless steel	0.0661		
2701463000	M10	KHZ and SSI with internal thread	40	16	5	5	Stainless steel	0.1102		

All dimensions in mm, unless specified otherwise.

Part numbers marked in bold are available from the central warehouse in Germany, see the shopping basket for more detailed information

Pneumatics catalog, online PDF, as of 2016-01-14, ©AVENTICS S.à r.l., subject to change

Piston rod cylinder ▶ Short-stroke and compact cylinders

ISO 15524, Series SSI Accessories

Sensor, Series ST4

▶ 4 mm groove ▶ with cable ▶ Plug, M8, 3-pin, with knurled screw



21306

Certificates	UL (Underwriters Laboratories)
Ambient temperature min./max.	-22°F / +176°F
Protection class	IP65, IP67
Switching point precision [mm]	±0,1
Switching logic	NO (make contact)
Display	LED
LED status display	Yellow
Vibration resistance	10 - 55 Hz, 1 mm
Shock resistance	30 g / 11 ms
Mounting screw	Combination: slotted and hexagon socket
Materials:	
Housing	Polyamide, fiber-glass reinforced
Cable sheath	Polyurethane

Technical Remarks

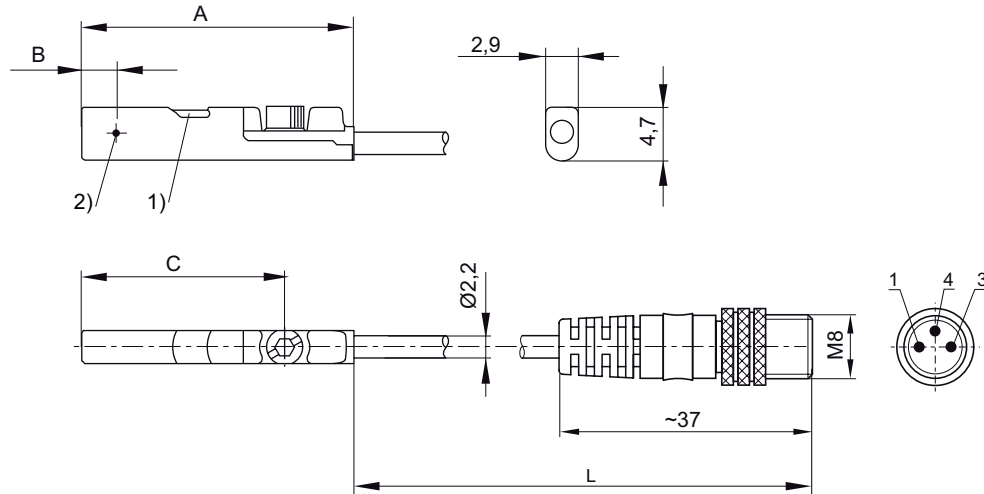
- The max. switching capacity must not be exceeded.

	Type of contact	Cable length	DC operating voltage min./max.	Voltage drop U at I _{max}	DC switching current, max.	AC switching current, max.	Switching capacity	Part No.
		[ft.]	[V]	[V]	[A]	[A]		
	Reed	0.98	5 / 30	I*Rs	0,13	0,13	3 W / 3 VA	R412019490
	electronic PNP	0.98	10 / 30	≤ 2,5	0.1	-	-	R412019493
	Reed	1.64	5 / 30	I*Rs	0,13	0,13	3 W / 3 VA	R412019686
	electronic PNP	1.64	10 / 30	≤ 2,5	0.1	-	-	R412019687

interfaces: Plug; M8; 3-pin; with knurled screw
short circuit resistant / Protected against polarity reversal

ISO 15524, Series SSI Accessories

Dimensions



21298

- 1) LED 2) Switching point
L = cable length
Pin assignment: 1 = (+), 3 = (-), 4 = (OUT)

Part No.	A	B	C									
R412019490	26.3	6.3	20.3									
R412019493	23.7	2.8	17.7									
R412019686	26.3	6.3	20.3									
R412019687	23.7	2.8	17.7									

Sensor, Series ST4

▶ 4 mm groove ▶ with cable ▶ Plug, M12, 3-pin, with knurled screw



21306

Certificates	UL (Underwriters Laboratories)
Ambient temperature min./max.	-22° F / +176° F
Protection class	IP65, IP67
Switching point precision [mm]	±0,1
Switching logic	NO (make contact)
Display	LED
LED status display	Yellow
Vibration resistance	10 - 55 Hz, 1 mm
Shock resistance	30 g / 11 ms
Mounting screw	Combination: slotted and hexagon socket
Materials:	
Housing	Polyamide, fiber-glass reinforced
Cable sheath	Polyurethane

Technical Remarks

- The max. switching capacity must not be exceeded.

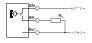

All dimensions in mm, unless specified otherwise.

Part numbers marked in bold are available from the central warehouse in Germany, see the shopping basket for more detailed information

Pneumatics catalog, online PDF, as of 2016-01-14, ©AVENTICS S.à r.l., subject to change

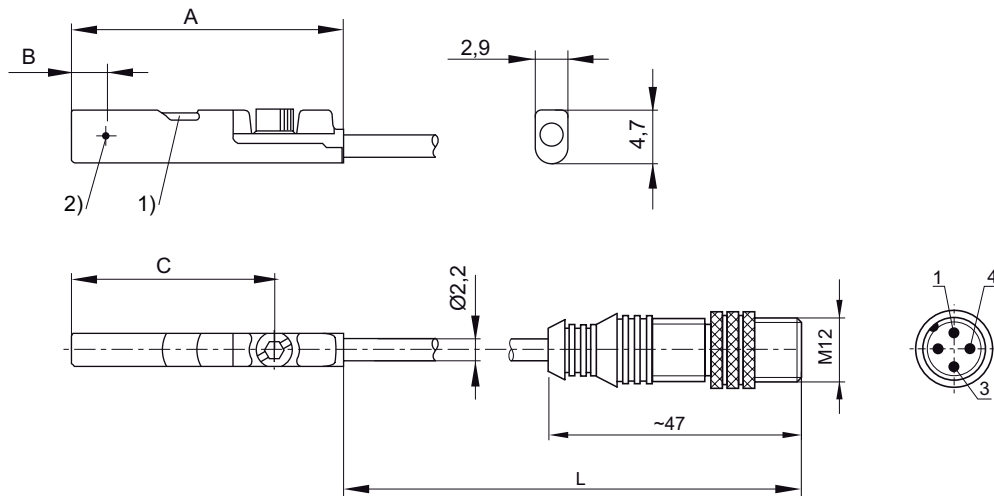
Piston rod cylinder ▶ Short-stroke and compact cylinders

**ISO 15524, Series SSI
Accessories**

	Type of contact	Cable length [ft.]	DC operating voltage min./max. [V]	Voltage drop U at I _{max} [V]	DC switching current, max. [A]	AC switching current, max. [A]	Switching capacity	Part No.
	Reed	0.98	5 / 30	I*Rs	0,13	0,13	3 W / 3 VA	R412019688
	electronic PNP	0.98	10 / 30	≤ 2,5	0.1	-	-	R412019689

interfaces: Plug; M12; 3-pin; with knurled screw
short circuit resistant / Protected against polarity reversal

Dimensions



21299

1) LED 2) Switching point
L = cable length
Pin assignment: 1 = (+), 3 = (-), 4 = (OUT)

Part No.	A	B	C								
R412019688	26.3	6.3	20.3								
R412019689	23.7	2.8	17.7								

ISO 15524, Series SSI Accessories

Sensor, Series ST4

▶ 4 mm groove ▶ with cable ▶ Plug, M8, 3-pin



21305

Certificates	UL (Underwriters Laboratories)
Ambient temperature min./max.	-22° F / +176° F
Protection class	IP65, IP67
Switching point precision [mm]	±0,1
Switching logic	NO (make contact)
Display	LED
LED status display	Yellow
Vibration resistance	10 - 55 Hz, 1 mm
Shock resistance	30 g / 11 ms
Mounting screw	Combination: slotted and hexagon socket
Materials:	
Housing	Polyamide, fiber-glass reinforced
Cable sheath	Polyurethane

Technical Remarks

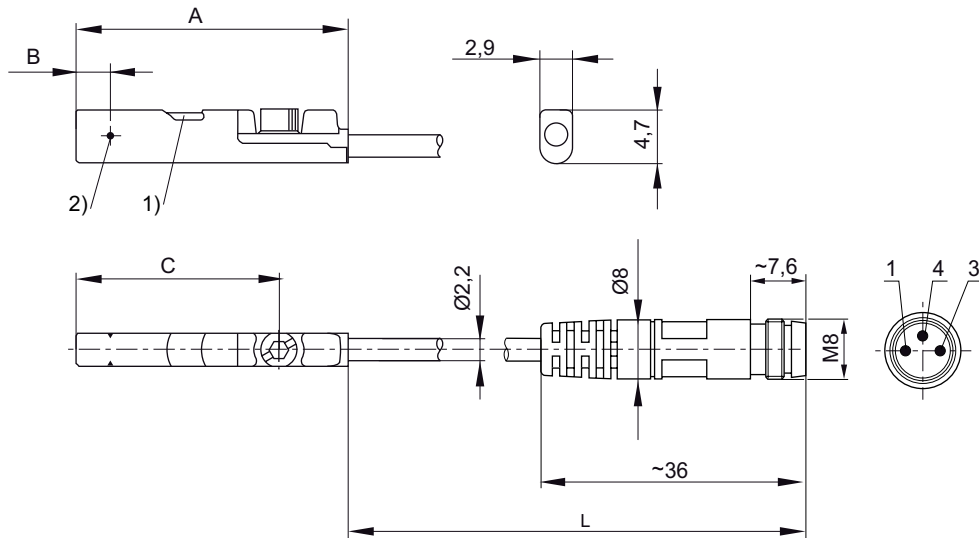
- The max. switching capacity must not be exceeded.

	Type of contact	Cable length	DC operating voltage min./max.	Voltage drop U at I _{max}	DC switching current, max.	AC switching current, max.	Switching capacity	Part No.
		[ft.]	[V]	[V]	[A]	[A]		
	Reed	0.98	5 / 30	I*Rs	0,13	0,13	3 W / 3 VA	R412019682
	electronic PNP	0.98	10 / 30	≤ 2,5	0.1	-	-	R412019683
	electronic NPN	0.98	10 / 30	≤ 2,5	0.1	-	-	R412019694
interfaces: Plug; M8; 3-pin short circuit resistant / Protected against polarity reversal								

Piston rod cylinder ▶ Short-stroke and compact cylinders

**ISO 15524, Series SSI
Accessories**

Dimensions



21297

1) LED 2) Switching point
L = cable length
Pin assignment: 1 = (+), 3 = (-), 4 = (OUT)

Part No.	A	B	C								
R412019682	26.3	6.3	20.3								
R412019683	23.7	2.8	17.7								
R412019694	23.7	2.8	17.7								

Sensor, Series ST4

▶ 4 mm groove ▶ with cable ▶ open cable ends, 3-pin



21304

Certificates
Ambient temperature min./max.
Protection class
Switching point precision [mm]
Switching logic
Display
LED status display
Vibration resistance
Shock resistance
Mounting screw

UL (Underwriters Laboratories)
-22°F / +176°F
IP65, IP67
±0,1
NO (make contact)
LED
Yellow
10 - 55 Hz, 1 mm
30 g / 11 ms
Combination: slotted and hexagon socket

Materials:
Housing
Cable sheath

Polyamide, fiber-glass reinforced
Polyurethane

Technical Remarks

- The max. switching capacity must not be exceeded.

All dimensions in mm, unless specified otherwise.

Part numbers marked in bold are available from the central warehouse in Germany, see the shopping basket for more detailed information

Pneumatics catalog, online PDF, as of 2016-01-14, ©AVENTICS S.à r.l., subject to change

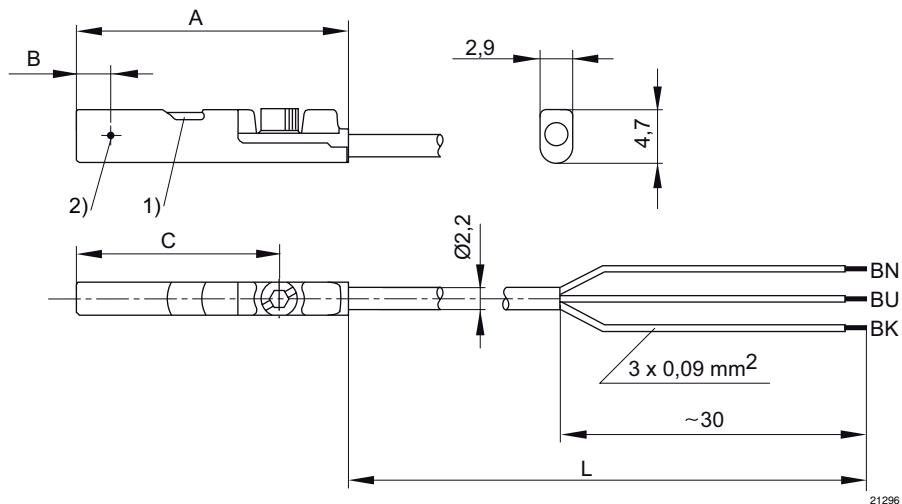
ISO 15524, Series SSI

Accessories

	Type of contact	Cable length	DC operating voltage min./max.	Voltage drop U at I _{max}	DC switching current, max.	AC switching current, max.	Switching capacity	Part No.
		[ft.]	[V]	[V]	[A]	[A]		
	Reed	9.84 16.4	5 / 30	I*Rs	0,13	0,13	3 W / 3 VA	R412019488 R412019489
	electronic PNP	9.84 16.4	10 / 30	≤ 2,5	0.1	-	-	R412019680 R412019681
	electronic NPN	9.84 16.4	10 / 30	≤ 2,5	0.1	-	-	R412019684 R412019685

interfaces: open cable ends; 3-pin
short circuit resistant / Protected against polarity reversal

Dimensions



21296

1) LED 2) Switching point
L = cable length
BN = brown, BK = black, BU = blue

Part No.	A	B	C									
R412019488	26.3	6.3	20.3									
R412019489	26.3	6.3	20.3									
R412019680	23.7	2.8	17.7									
R412019681	23.7	2.8	17.7									
R412019684	23.7	2.8	17.7									
R412019685	23.7	2.8	17.7									

Piston rod cylinder ▶ Short-stroke and compact cylinders

ISO 15524, Series SSI
Accessories

Sensors, Series ST4-2P

- ▶ 4 mm groove ▶ number of switching points:2 ▶ with cable ▶ without wire end ferrule, tin-plated, 4-pin
- ▶ electronic PNP



00133721

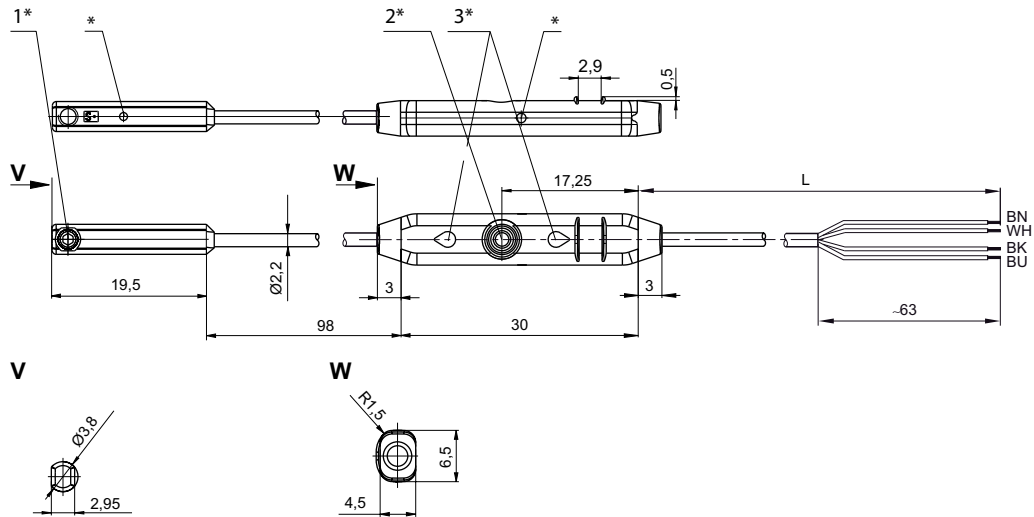
Ambient temperature min./max.	-4°F / +167°F
Protection class	IP65, IP67
Local power consumption	<15 mA
DC operating voltage min./max.	12 V - 30 V
Repetitive precision max. measuring range	0,1 mT
Hysteresis	1 mT
Switching logic	NO (make contact)
Display	LED
LED status display	Yellow
Display	2 LED
Vibration resistance	10 - 55 Hz, 1 mm
Shock resistance	30 g / 11 ms
Mounting screw	with hexagon socket
Materials:	
Housing	Polyamide
Cable sheath	Polyurethane

	Type of contact	Cable length	Detection range Max.	Voltage drop U at I _{max}	DC switching current, max.	Part No.
		[ft.]	[inch]	[V]	[A]	
	electronic PNP	6.56	1.96	≤ 2,2	0,15	R412010139
interfaces: without wire end ferrule, tin-plated; 4-pin short circuit resistant / Protected against polarity reversal						

ISO 15524, Series SSI

Accessories

Dimensions



00133789

1* = mounting screw 2* = teach button 3* = LED

L = cable length

(1) BN=brown

(2) WH=white

(3) BU=blue

(4) BK=black

* Switching point

Sensors, Series ST4-2P

▶ 4 mm groove ▶ number of switching points:2 ▶ with cable ▶ Plug, M8x1, 4-pin, with knurled screw ▶ electronic PNP



00133721

Ambient temperature min./max.	-4°F / +167°F
Protection class	IP65, IP67
Local power consumption	<15 mA
DC operating voltage min./max.	12 V - 30 V
Repetitive precision max. measuring range	0,1 mT
Hysteresis	1 mT
Switching logic	NO (make contact)
Display	LED
LED status display	Yellow
Display	2 LED
Vibration resistance	10 - 55 Hz, 1 mm
Shock resistance	30 g / 11 ms
Mounting screw	with hexagon socket
Materials:	
Housing	Polyamide
Cable sheath	Polyurethane

All dimensions in mm, unless specified otherwise.

Part numbers marked in bold are available from the central warehouse in Germany, see the shopping basket for more detailed information

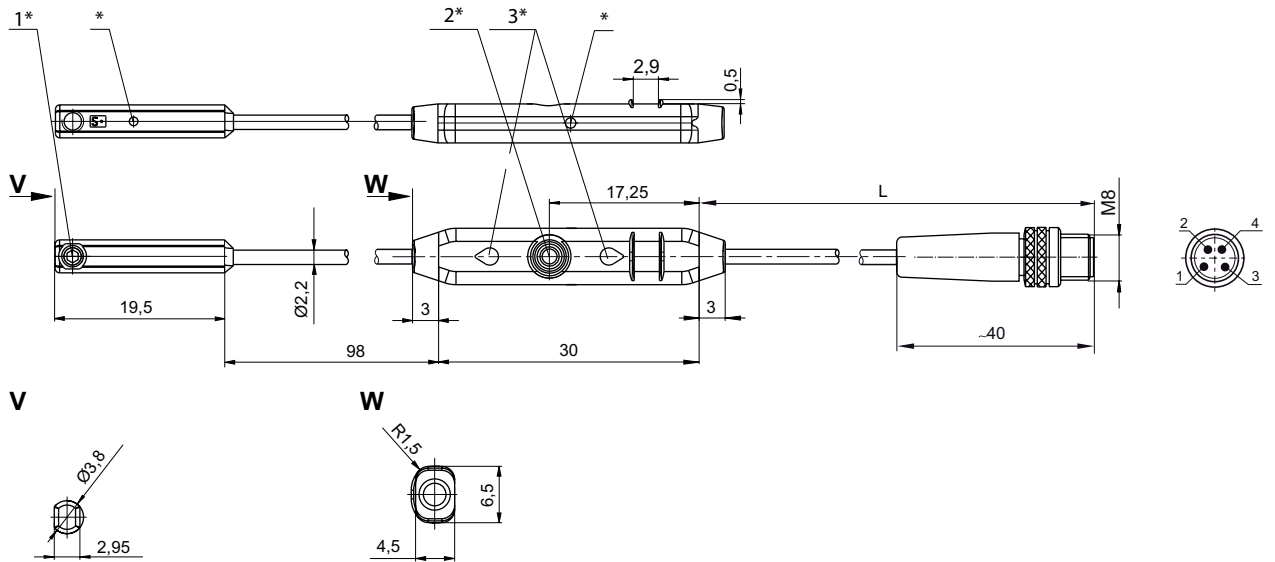
Pneumatics catalog, online PDF, as of 2016-01-14, ©AVENTICS S.à r.l., subject to change

Piston rod cylinder ▶ Short-stroke and compact cylinders

**ISO 1524, Series SSI
Accessories**

	Type of contact	Cable length	Detection range Max.	Voltage drop U at I _{max}	Part No.
		[ft.]	[inch]	[V]	
	electronic PNP	0.98	1.96	≤ 2,2	R412010140
interfaces: Plug; M8x1; 4-pin; with knurled screw short circuit resistant / Protected against polarity reversal					

Dimensions



1* = mounting screw 2* = teach button 3* = LED
 L = cable length
 Pin assignment: 1 = (+), 2 = (OUT), 3 = (-), 4 = (OUT)
 * Switching point

00133790

ISO 15524, Series SSI Accessories

Sensor, Series ST6

▶ 6 mm T-slot ▶ with cable ▶ open cable ends, 2-pin, open cable ends, 3-pin



24712

Certificates	CE declaration of conformity cULus
Ambient temperature min./max.	-22° F / +176° F
Protection class	IP65, IP67, IP69K
Switching point precision [mm]	±0,1
Switching logic	NO (make contact)
Switching capacity	Reed, 2-pin: max. 10 W Reed, 3-pin: max. 6 W
LED status display	Yellow
Vibration resistance	10 - 55 Hz, 1 mm
Shock resistance	30 g / 11 ms
Materials:	
Housing	Polyamide
Cable sheath	Polyurethane
Locking screw	Stainless steel

Technical Remarks

- No cULus certification for 230 V variant.

	Type of contact	Cable length	DC operating voltage min./max.	Operational voltage AC min./max.	Voltage drop U at I _{max}	DC switching current, max.	AC switching current, max.	Part No.
		[ft.]	[V]	[V]	[V]	[A]	[A]	
	Reed	9.84	10 / 230	10 / 230	I*Rs	0,13	0,13	R412022866
	Reed	9.84 16.4 32.81	10 / 30	10 / 30	I*Rs	0,3	0,5	R412022869 R412022870 R412022871
	electronic PNP	9.84 16.4 32.81	10 / 30	-	≤ 2,5	0,13	-	R412022853 R412022855 R412022857
	electronic NPN	9.84 16.4	10 / 30	-	≤ 2,5	0,13	-	R412022849 R412022850

Part No.	Max. switching frequency	Operating current, not switched	Operating current, switched	Fig.	Note
	[kHz]	[mA]	[mA]		
R412022866	< 0,4	-	-	Fig. 1	1); 3)
R412022869 R412022870 R412022871	< 0,4	-	-	Fig. 2	2); 3)
R412022853 R412022855 R412022857	< 1,0	< 8 mA	< 30 mA	Fig. 2	2); 4)
R412022849 R412022850	< 1,0	< 8 mA	< 30 mA	Fig. 2	2); 4)

- 1) interfaces: open cable ends; 2-pin
- 2) interfaces: open cable ends; 3-pin
- 3) Protected against polarity reversal
- 4) short circuit resistant / Protected against polarity reversal

All dimensions in mm, unless specified otherwise.

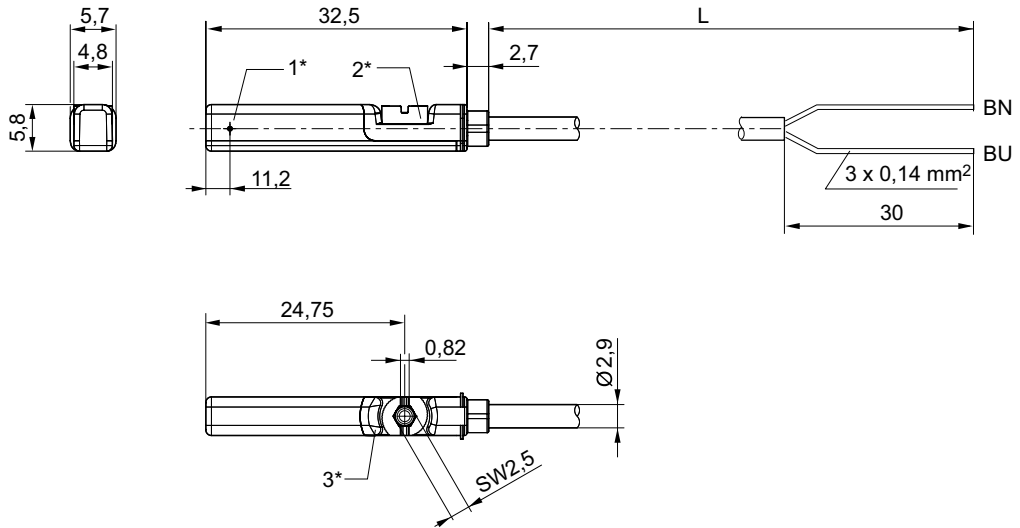
Part numbers marked in bold are available from the central warehouse in Germany, see the shopping basket for more detailed information

Pneumatics catalog, online PDF, as of 2016-01-14, ©AVENTICS S.à r.l., subject to change

Piston rod cylinder ▶ Short-stroke and compact cylinders

ISO 15524, Series SSI
Accessories

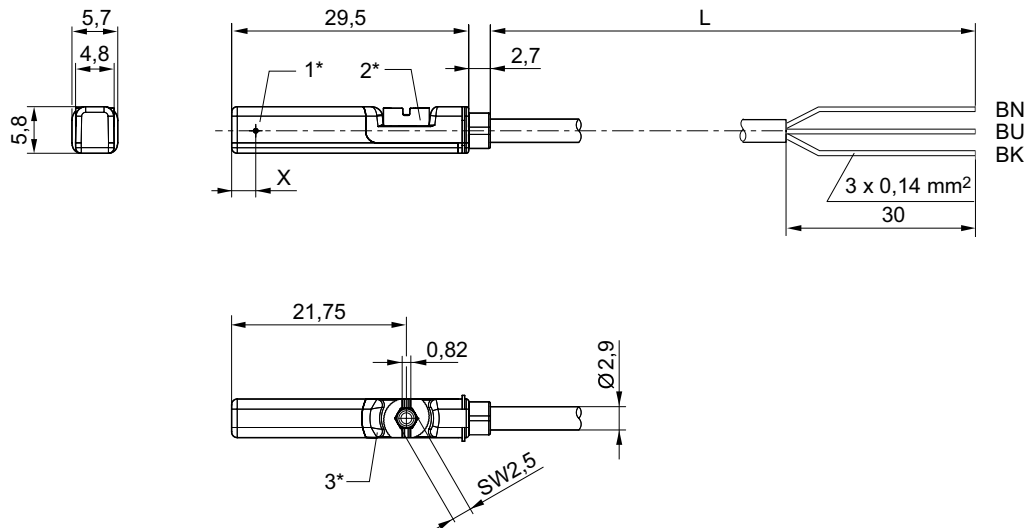
Fig. 1



24619

1* = switching point 2* = locking screw 3* = LED window, transparent
L = cable length
BN=brown, BU=blue

Fig. 2



24620

1* = switching point 2* = locking screw 3* = LED window, transparent
L = cable length
BN = brown, BK = black, BU = blue
X = electronic: 11,6 mm, Reed: 8,3 mm

All dimensions in mm, unless specified otherwise.

Part numbers marked in bold are available from the central warehouse in Germany, see the shopping basket for more detailed information

Pneumatics catalog, online PDF, as of 2016-01-14, ©AVENTICS S.à r.l., subject to change

ISO 15524, Series SSI Accessories

Sensor, Series ST6

▶ 6 mm T-slot ▶ with cable ▶ Plug, M8, 3-pin, with knurled screw



24713

Certificates

Ambient temperature min./max.
Protection class
Switching point precision [mm]
DC operating voltage min./max.
Switching logic
Switching capacity
LED status display
Vibration resistance
Shock resistance

CE declaration of conformity cULus

-22° F / +176° F
IP65, IP67
±0,1
10 V - 30 V
NO (make contact)
Reed, 3-pin: max. 6 W
Yellow
10 - 55 Hz, 1 mm
30 g / 11 ms

Materials:

Housing
Locking screw

Polyamide
Stainless steel

	Type of contact	Cable length	Operational voltage AC min./max.	Voltage drop U at I _{max}	DC switching current, max.	AC switching current, max.	Max. switching frequency	Part No.
		[ft.]	[V]	[V]	[A]	[A]	[kHz]	
	Reed	0.9842	10 / 30	I*Rs	0,3	0,5	< 0,4	R412022873
		0.9842						R412022875
		1.64						R412022874
	electronic PNP	0.9842	-	≤ 2,5	0,13	-	< 1,0	R412022859
		0.9842						R412022862
		1.64						R412022861
	electronic NPN	0.9842	-	≤ 2,5	0,13	-	< 1,0	R412022852

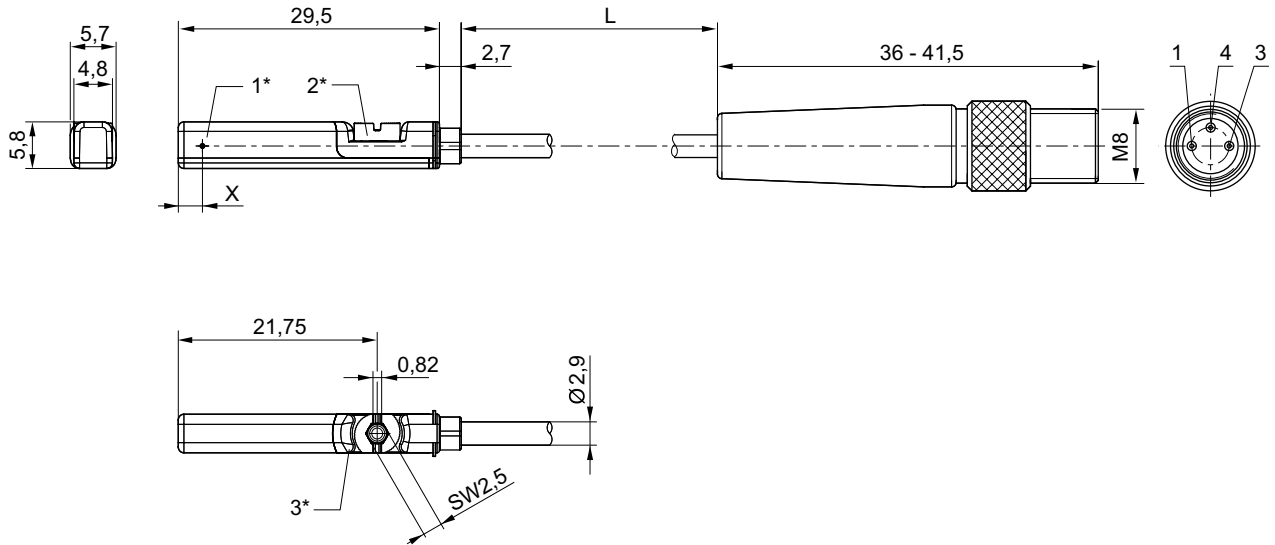
Part No.	Operating current, not switched	Operating current, switched	Note
	[mA]	[mA]	
R412022873			1); 3)
R412022875			2); 3)
R412022874			1); 3)
R412022859			1); 4)
R412022862	< 8 mA	< 30 mA	2); 4)
R412022861			1); 4)
R412022852	< 8 mA	< 30 mA	1); 4)

- 1) Material Cable sheath: Polyurethane
 2) Material Cable sheath: Polyvinyl chloride
 3) Protected against polarity reversal
 4) short circuit resistant / Protected against polarity reversal
 interfaces: Plug; M8; 3-pin; with knurled screw

Piston rod cylinder ▶ Short-stroke and compact cylinders

ISO 15524, Series SSI
Accessories

Dimensions



1* = switching point 2* = locking screw 3* = LED window, transparent
L = cable length
X = electronic: 11,6 mm, Reed: 8,3 mm
Pin assignment: 1 = (+), 3 = (-), 4 = (OUT)

24622

Sensor, Series ST6

▶ 6 mm T-slot ▶ with cable ▶ Plug, M8, 3-pin



24742

Certificates

Ambient temperature min./max.
Protection class
Switching point precision [mm]
DC operating voltage min./max.
Switching logic
Switching capacity

LED status display
Vibration resistance
Shock resistance

Materials:

Housing
Cable sheath
Locking screw

CE declaration of conformity
cULus

-22 °F / +176 °F
IP65, IP67
±0,1
10 V - 30 V
NO (make contact)
Reed, 2-pin: max. 10 W
Reed, 3-pin: max. 6 W
Yellow
10 - 55 Hz, 1 mm
30 g / 11 ms

Polyamide
Polyurethane
Stainless steel

	Type of contact	Cable length	Operational voltage AC min./max.	Voltage drop U at I _{max}	DC switching current, max.	AC switching current, max.	Max. switching frequency	Part No.
		[ft.]	[V]	[V]	[A]	[A]	[kHz]	
	Reed	0.9842	10 / 30	I*Rs	0,13	0,13	< 0,4	R412022868
	Reed	0.9842	10 / 30	I*Rs	0,3	0,5	< 0,4	R412022872

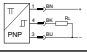
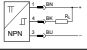
All dimensions in mm, unless specified otherwise.

Part numbers marked in bold are available from the central warehouse in Germany, see the shopping basket for more detailed information

Pneumatics catalog, online PDF, as of 2016-01-14, ©AVENTICS S.à r.l., subject to change

ISO 15524, Series SSI

Accessories

	Type of contact	Cable length	Operational voltage AC min./max.	Voltage drop U at I _{max}	DC switching current, max.	AC switching current, max.	Max. switching frequency	Part No.
		[ft.]	[V]	[V]	[A]	[A]	[kHz]	
	electronic PNP	0.9842	-	≤ 2,5	0,13	-	< 1,0	R412022868
	electronic NPN	0.9842	-	≤ 2,5	0,13	-	< 1,0	R412022851

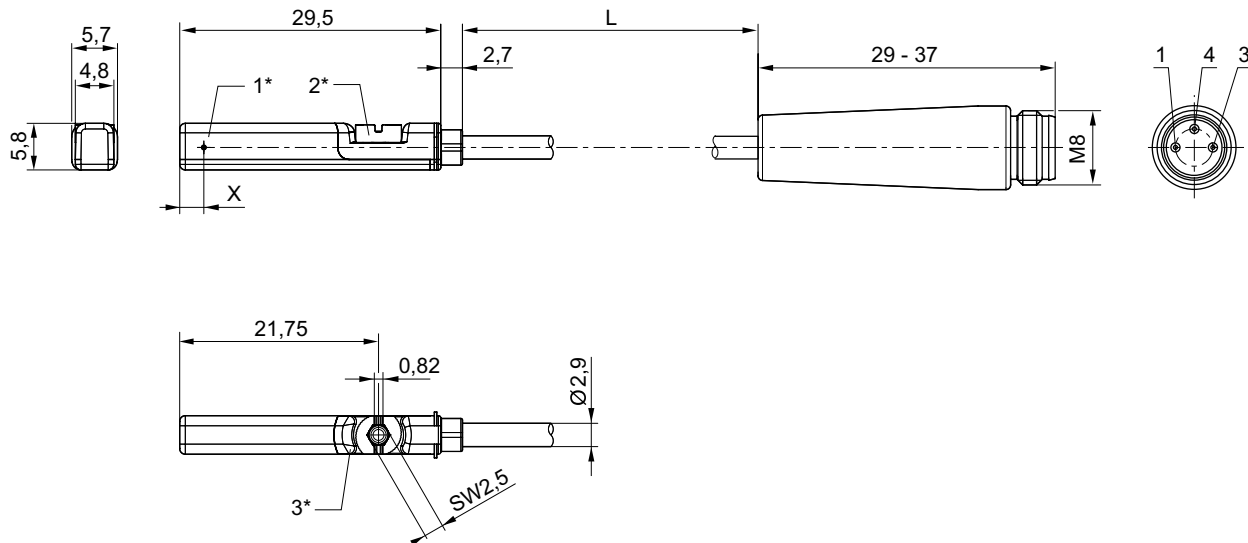
Part No.	Operating current, not switched		Operating current, switched		Note
	[mA]		[mA]		
R412022868	-		-		1)
R412022872	-		-		1)
R412022858	< 8 mA		< 30 mA		2)
R412022851	< 8 mA		< 30 mA		2)

1) Protected against polarity reversal

2) short circuit resistant / Protected against polarity reversal

interfaces: Plug; M8; 3-pin

Dimensions



1* = switching point 2* = locking screw 3* = LED window, transparent

L = cable length

X = electronic: 11,6 mm, Reed: 8,3 mm

Pin assignment: 1 = (+), 3 = (-), 4 = (OUT)

24621

Piston rod cylinder ▶ Short-stroke and compact cylinders

ISO 15524, Series SSI Accessories

Sensor, Series ST6

▶ 6 mm T-slot ▶ with cable ▶ Plug, M12, 3-pin, with knurled screw



24714

Certificates

Ambient temperature min./max.
Protection class
Switching point precision [mm]
DC operating voltage min./max.
Switching logic
Switching capacity
LED status display
Vibration resistance
Shock resistance

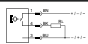
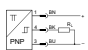
CE declaration of conformity cULus

-22°F / +176°F
IP65, IP67
±0,1
10 V - 30 V
NO (make contact)
Reed, 3-pin: max. 6 W
Yellow
10 - 55 Hz, 1 mm
30 g / 11 ms

Materials:

Housing
Cable sheath
Locking screw

Polyamide
Polyurethane
Stainless steel

	Type of contact	Cable length	Operational voltage AC min./max.	Voltage drop U at I _{max}	DC switching current, max.	AC switching current, max.	Max. switching frequency	Part No.
		[ft.]	[V]	[V]	[A]	[A]	[kHz]	
	Reed	0.9842	10 / 30	I*Rs	0,3	0,5	< 0,4	R412022876
	electronic PNP	0.328 0.9842 9.84 16.4	-	≤ 2,5	0,13	-	< 1,0	R412022879 R412022863 R412022877 R412022878

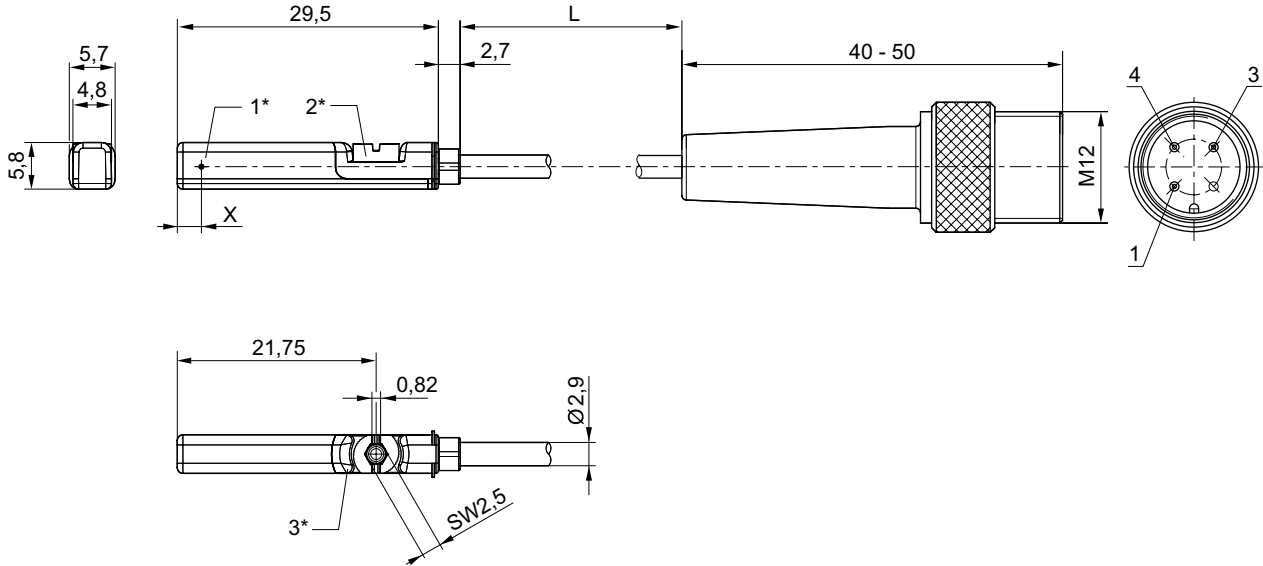
Part No.	Operating current, not switched	Operating current, switched	Note
	[mA]	[mA]	
R412022876	-	-	1)
R412022879 R412022863 R412022877 R412022878	< 8 mA	< 30 mA	2)

1) Protected against polarity reversal

2) short circuit resistant / Protected against polarity reversal
interfaces: Plug; M12; 3-pin; with knurled screw

ISO 15524, Series SSI Accessories

Dimensions



24623

1* = switching point 2* = locking screw 3* = LED window, transparent
 L = cable length
 X = PNP: 11,6 mm, reed: 8,3 mm
 Pin assignment: 1 = (+), 3 = (-), 4 = (OUT)

Sensors, Series SM6

▶ 6 mm groove ▶ with cable ▶ without wire end ferrule, tin-plated, 4-pin ▶ with distance measuring sensor, measurement range 32 - 256 mm



00133722

Ambient temperature min./max.	-4 °F / +158 °F
Protection class	IP67
Output signal	0 - 10 V DC, 4 - 20 mA
Quiescent current (without load)	< 25 mA
Current signal	4 - 20 mA
Maximum load (analog current output)	500 Ω
DC operating voltage min./max.	15 V - 30 V
Residual ripple	≤ 10 %
sampling interval	1 ms
Resolution max. measuring range	0,05 mm
Repetitive precision max. measuring range	0.1 mm
Linearity deviation	0,3 mm
Sampling speed	3 m/s
Display	LED
LED status display	Yellow
Vibration resistance	10 - 55 Hz, 1 mm
Shock resistance	30 g / 11 ms

Materials:

Housing	Polyamide, fiber-glass reinforced
Cable sheath	Polyurethane

All dimensions in mm, unless specified otherwise.

Part numbers marked in bold are available from the central warehouse in Germany, see the shopping basket for more detailed information

Pneumatics catalog, online PDF, as of 2016-01-14, ©AVENTICS S.à r.l., subject to change

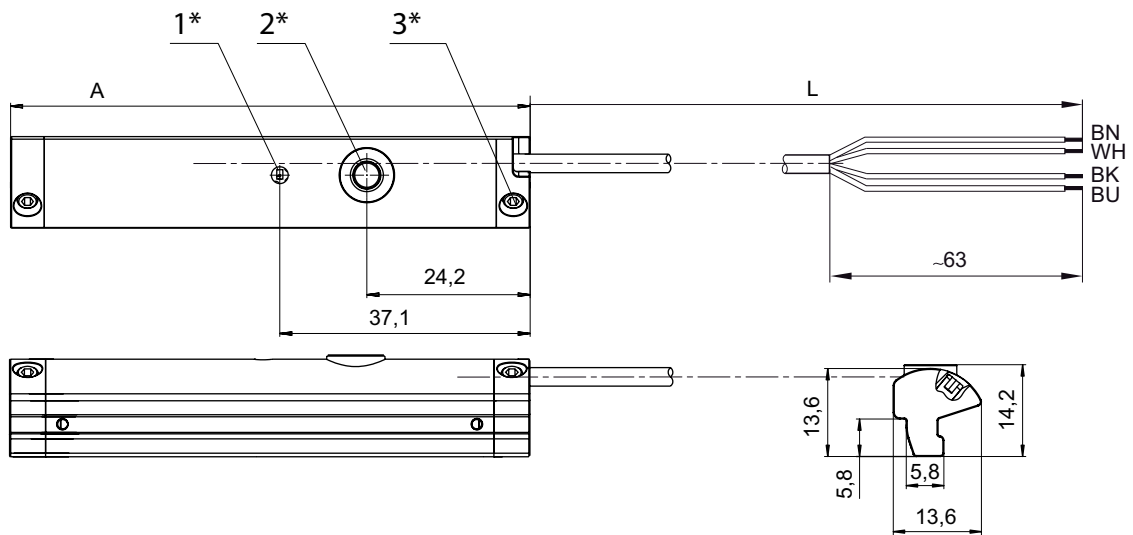
Piston rod cylinder ▶ Short-stroke and compact cylinders

ISO 1524, Series SSI Accessories

	Type of contact	Cable length [ft.]	Measurement range Max.	Overall length Sensor A	Part No.
			[inch]	[inch]	
	Analog	6.56	1.25	1.77	R412010141
			2.51	3.03	R412010143
			3.77	4.29	R412010262
			5.03	5.55	R412010264

interfaces: without wire end ferrule, tin-plated; 4-pin
short circuit resistant / Protected against polarity reversal / Overload protection

Dimensions



- 1* = LED 2* = teach button 3* = threaded pin M3x11
 L = cable length
 (1) BN=brown
 (2) WH=white
 (3) BU=blue
 (4) BK=black
 A = sensor length

00133787

ISO 15524, Series SSI Accessories

Sensors, Series SM6

▶ 6 mm groove ▶ with cable ▶ Plug, M8x1, 4-pin, with knurled screw ▶ with distance measuring sensor, measurement range 32 - 256 mm



Ambient temperature min./max.	-4°F / +158°F
Protection class	IP67
Output signal	0 - 10 V DC, 4 - 20 mA
Quiescent current (without load)	< 25 mA
Current signal	4 - 20 mA
DC operating voltage min./max.	15 V - 30 V
sampling interval	1 ms
Resolution max. measuring range	0,05 mm
Repetitive precision max. measuring range	0.1 mm
Linearity deviation	0,3 mm
Sampling speed	3 m/s
Display	LED
LED status display	Yellow
Vibration resistance	10 - 55 Hz, 1 mm
Shock resistance	30 g / 11 ms

Materials:

Housing	Polyamide, fiber-glass reinforced
Cable sheath	Polyurethane

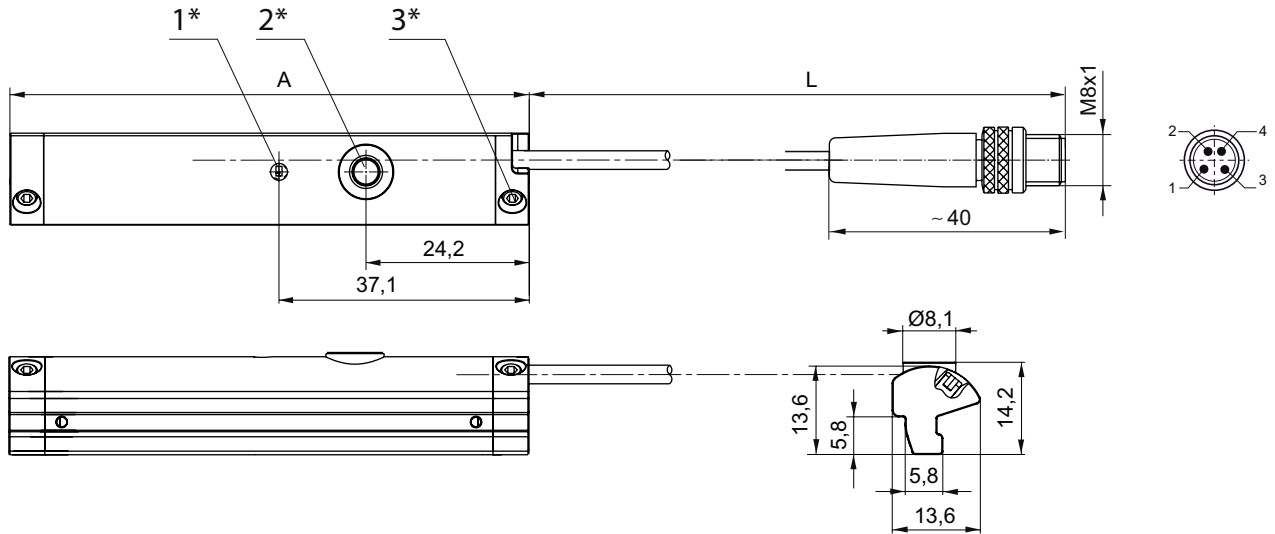
	Type of contact	Cable length	Measurement range		Overall length Sensor A	Part No.
				Max.		
		[ft.]	[inch]		[inch]	
	Analog	0.98		1.25	1.77	R412010142
				2.51	3.03	R412010144
				3.77	4.29	R412010263
				5.03	5.55	R412010265

interfaces: Plug; M8x1; 4-pin; with knurled screw
short circuit resistant / Protected against polarity reversal / Overload protection

Piston rod cylinder ▶ Short-stroke and compact cylinders

ISO 1524, Series SSI
Accessories

Dimensions



1* = LED 2* = teach button 3* = threaded pin M3x11
 L = cable length
 Pin assignment: 1 = (+), 2 = (OUT 1) 3 = (GND), 4 = (OUT 2), EN 60947-5-7
 A = sensor length

00133788

Connecting cable, Series CN2

▶ Socket, M8, 3-pin, straight ▶ open cable ends, 3-pin

Ambient temperature min./max.
 Protection class

-40°F / +185°F
 IP65

Materials:
 Cable sheath

Polyurethane



00107009_b

Technical Remarks

- The specified protection class is only valid in assembled and tested state.

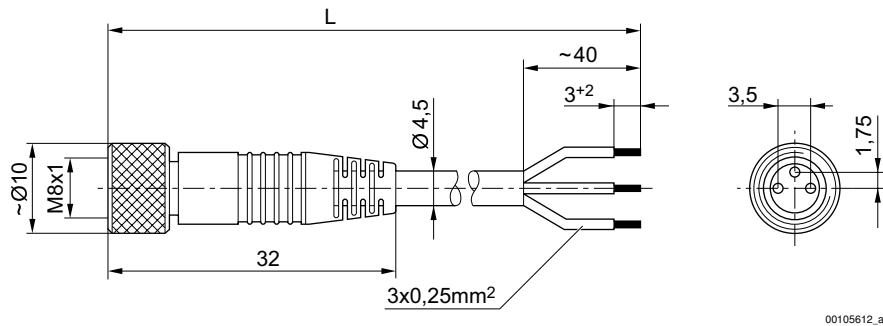
All dimensions in mm, unless specified otherwise.

Part numbers marked in bold are available from the central warehouse in Germany, see the shopping basket for more detailed information

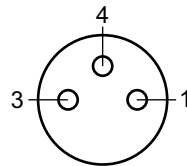
Pneumatics catalog, online PDF, as of 2016-01-14, ©AVENTICS S.à r.l., subject to change

ISO 15524, Series SSI
 Accessories

	Max. current	Number of wires	Wire cross-section	Cable-Ø	Cable length L	Weight	Part No.
	[A]		[in ²]	[inch]	[ft.]	[lbs]	
	4	3	0	0.18	9.84	0.2006	1834484166
					16.4	0.3196	1834484168
					32.81	0.7275	1834484247

Dimensions


L = length

Pin assignment


Buchse_3-polig

- (1) BN=brown
- (3) BU=blue
- (4) BK=black

Piston rod cylinder ▶ Short-stroke and compact cylinders

ISO 15524, Series SSI
Accessories

Connecting cable, Series CN2

▶ Socket, M8x1, 3-pin, angled ▶ open cable ends, 3-pin



00107009_c

Ambient temperature min./max.

-40°F / +185°F

Protection class

IP65

Materials:

Cable sheath

Polyurethane

Technical Remarks

- The specified protection class is only valid in assembled and tested state.

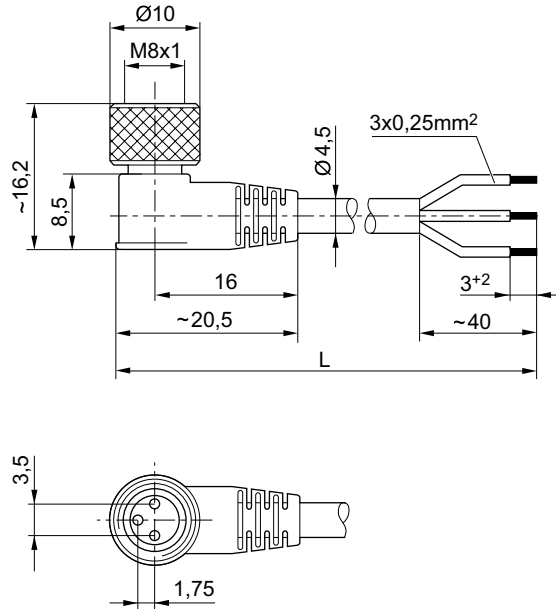
	Max. current	Number of wires	Wire cross-section	Cable-Ø	Cable length L	Weight	Part No.
	[A]		[in ²]	[inch]	[ft.]	[lbs]	
	4	3	0	0.18	9.84	0.2028	1834484167
					16.4	0.3108	1834484169
					32.81	0.6084	1834484248

All dimensions in mm, unless specified otherwise.

Part numbers marked in bold are available from the central warehouse in Germany, see the shopping basket for more detailed information

Pneumatics catalog, online PDF, as of 2016-01-14, ©AVENTICS S.à r.l., subject to change

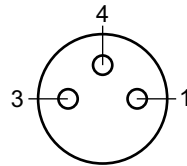
Dimensions



00105612_b

L = length

Pin assignment



Buchse_3-polig

- (1) BN=brown
- (3) BU=blue
- (4) BK=black

Socket, M8x1, Series CN2 ▶ Socket, M8x1, 3-pin



Ambient temperature min./max.
Protection class

-13°F / +176°F
IP67

Materials:
Housing

Polyamide

00138877

All dimensions in mm, unless specified otherwise.

Part numbers marked in bold are available from the central warehouse in Germany, see the shopping basket for more detailed information

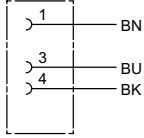
Pneumatics catalog, online PDF, as of 2016-01-14, ©AVENTICS S.à r.l., subject to change

Piston rod cylinder ▶ Short-stroke and compact cylinders

ISO 15524, Series SSI
Accessories

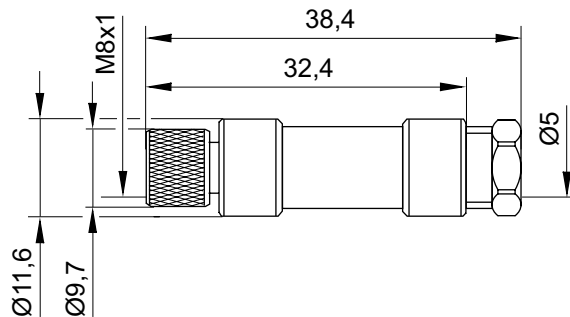
Technical Remarks

- The specified protection class is only valid in assembled and tested state.

	Operational voltage		Max. current	Cable exit	suitable cable-Ø min./max	number of plug options 1	Housing color	Part No.
	AC	DC						
	[V]	[V]	[A]	[inch]				
	48	48	4	straight	0.14 / 0.19	1 position	Black	1834484173

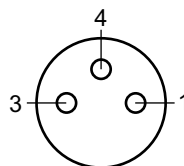
Part No.	Weight
	[lbs]
1834484173	0.0176

Dimensions



16405

Pin assignment



Buchse_3-polig

All dimensions in mm, unless specified otherwise.

Part numbers marked in bold are available from the central warehouse in Germany, see the shopping basket for more detailed information

Pneumatics catalog, online PDF, as of 2016-01-14, ©AVENTICS S.à r.l., subject to change

ISO 15524, Series SSI

Accessories

Socket, M8x1, Series CN2

▶ Socket, M8x1, 3-pin, angled



16406

Ambient temperature min./max.

-13°F / +185°F

Protection class

IP65

Materials:

Housing

Polyamide

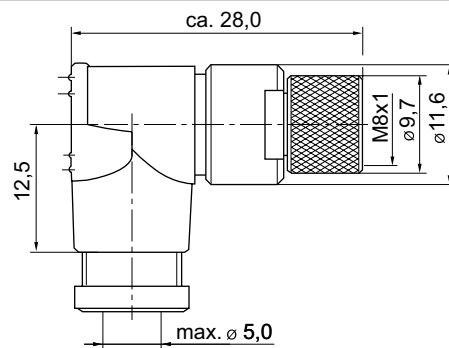
Technical Remarks

- The specified protection class is only valid in assembled and tested state.

	Operational voltage		Max. current [A]	Contact assign- ment	Cable exit	suitable cable-Ø min./max [inch]	Part No.
	AC	DC					
	[V]	[V]					
	48	48	4	3	angled 90°	0.14 / 0.19	1834484174

Part No.	number of plug options 1	Housing color	Weight
			[lbs]
1834484174	1 position	Black	0.0176

Dimensions



15832

All dimensions in mm, unless specified otherwise.

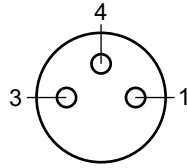
Part numbers marked in bold are available from the central warehouse in Germany, see the shopping basket for more detailed information

Pneumatics catalog, online PDF, as of 2016-01-14, ©AVENTICS S.à r.l., subject to change

Piston rod cylinder ▶ Short-stroke and compact cylinders

ISO 15524, Series SSI
Accessories

Pin assignment

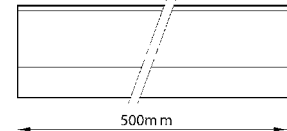
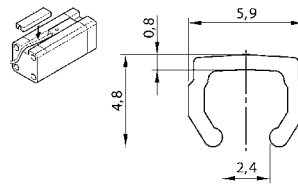


Buchse_3-polig

Groove lock profile



00105175



00111999

Part No.	Ø	Material									
1821321009	12-100	Acrylonitrile butadiene styrene									

ISO 15524, Series SSI

Accessories

Silencers, Series SI1

▶ Sintered bronze



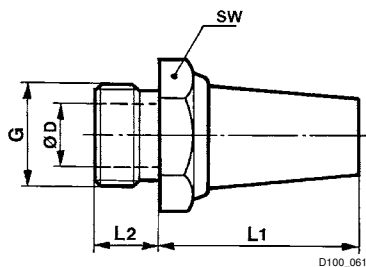
P100_060

Working pressure min./max. 0 psi / 145 psi
 Ambient temperature min./max. -13°F / +176°F
 Medium Compressed air

Materials:
 Silencers Sintered bronze
 Thread Brass

Compressed air connection	Sound pressure level [dB]	Qn [Cv]	Delivery quantity [Piece]	Weight [lbs]	Part No.
M5	72	0.46	10	0.0088	1827000006
G 1/8	75	1.5	10	0.022	1827000000
G 1/4	79	2.9	10	0.044	1827000001
G 3/8	84	5.9	5	0.1102	1827000002

Dimensions



D100_061

Part No.	Port G	SW	Ø D	L1	L2						
1827000006	M5	7	2.5	15	5						
1827000000	G 1/8	13	6	18	6						
1827000001	G 1/4	17	8.5	25	8						
1827000002	G 3/8	22	12	34	10						

Sound pressure level measured at 6 bar at 1 m distance

Piston rod cylinder ▶ Short-stroke and compact cylinders

ISO 15524, Series SSI
Accessories

Silencers, Series SI1
▶ Sintered bronze



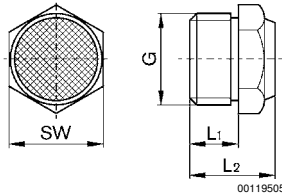
P100_037

Working pressure min./max. 0 psi / 145 psi
 Ambient temperature min./max. -13°F / +176°F
 Medium Compressed air

Materials:
 Silencers Sintered bronze
 Thread Brass

Compressed air connection	Sound pressure level	Qn	Delivery quantity	Weight	Part No.
	[dB]	[Cv]	[Piece]	[lbs]	
M5	79	0.28	10	0.011	1827000032
G 1/8	85	0.64	10	0.0022	1827000031
G 1/4	88	0.9	10	0.022	1827000033
G 3/8	90	1.75	5	0.0352	1827000034

Dimensions



Part No.	Port G	L1	L2	SW								
1827000032	M5	5	10.3	7								
1827000031	G 1/8	6	11.5	13								
1827000033	G 1/4	8	13.5	17								
1827000034	G 3/8	10	17.5	22								

Sound pressure level measured at 6 bar at 1 m distance



AVENTICS Corporation
1953 Mercer Road
Lexington, KY 40511
Phone 859.254.8031
Fax 800.489.1488
www.aventics.com/us
info.us@aventics.com

AVENTICS Incorporated
5515 North Service Rd
Suite #104
Burlington ON L7L 6G4
Phone 905.332.0399
Fax 905.332.8596
www.aventics.com/ca
info.ca@aventics.com

Find more contact information at
www.aventics.com/contact

Only use the AVENTICS products shown in industrial applications. Read the product documentation completely and carefully before using the product.

Observe the applicable regulations and laws of the respective country. When integrating the product into applications, note the system manufacturer's specifications for safe use of the product.

The data specified only serve to describe the product.

No statements concerning a certain condition or suitability for a certain application can be derived from our information.

The information given does not release the user from the obligation of own judgment and verification. It must be remembered that the products are subject to a natural process of wear and aging.

14-01-2016