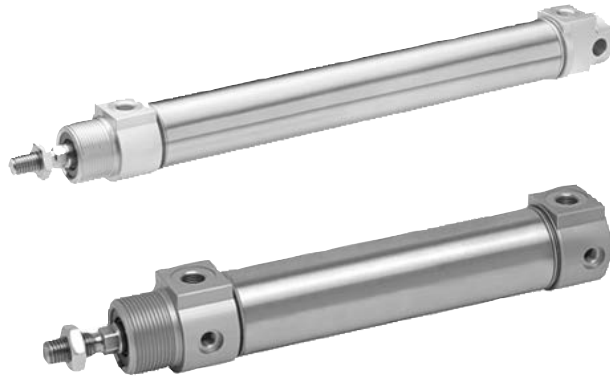


Piston rod cylinder ▶ Round cylinders

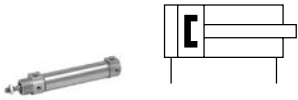
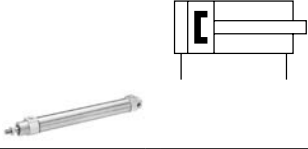
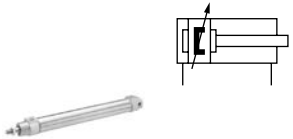
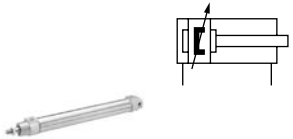
Series RPC

Brochure



Piston rod cylinder ▶ Round cylinders

Series RPC





	<p>Round cylinder, Series RPC</p> <ul style="list-style-type: none"> ▶ Version: mini type ▶ Ports: G 1/8 - G 3/8 ▶ double-acting ▶ with magnetic piston ▶ cushioning: elastic, non-adjustable ▶ with trunnion mounting ▶ Piston rod geometry: external thread 	5
	<p>Round cylinder, Series RPC</p> <ul style="list-style-type: none"> ▶ Version: compact type ▶ Ports: G 1/8 - G 3/8 ▶ double-acting ▶ with magnetic piston ▶ cushioning: elastic, non-adjustable ▶ with integrated rear eye ▶ Piston rod geometry: external thread 	7
	<p>Round cylinder, Series RPC</p> <ul style="list-style-type: none"> ▶ Version: standard type ▶ Ports: G 1/8 - G 3/8 ▶ double-acting ▶ with magnetic piston ▶ cushioning: pneumatically, adjustable ▶ with integrated rear eye ▶ Piston rod geometry: external thread 	9
	<p>Round cylinder, Series RPC</p> <ul style="list-style-type: none"> ▶ Version: Standard type, heat-resistant ▶ Ports: G 1/8 - G 3/8 ▶ double-acting ▶ with magnetic piston ▶ cushioning: pneumatically, adjustable ▶ with integrated rear eye ▶ Piston rod geometry: external thread ▶ heat resistant 	11

Accessories


Accessories overview

	Accessories overview	13
--	----------------------	----

Cylinder mountings













	<p>Foot mounting, Series MS1</p> <ul style="list-style-type: none"> ▶ for Series RPC, CPC 	14
	<p>Clevis mounting, Series AB3</p> <ul style="list-style-type: none"> ▶ for Series RPC, CPC 	15
	<p>Trunnion mounting, Series MP2</p> <ul style="list-style-type: none"> ▶ for Series RPC 	16
	<p>Lock nut for cylinder mounting</p> <ul style="list-style-type: none"> ▶ for Series RPC, CPC 	17

Piston rod mountings







	Nut for piston rod, Series MR9	18
---	--------------------------------	----

Piston rod cylinder ▶ Round cylinders

Series RPC

	Flexible spherical coupling, Series PM5	18
	Flexible plate coupling, Series PM7	19
	Ball eye rod end with flange, Series AP6 ▶ Steel	19
	Rod clevis, Series AP2 ▶ galvanized steel	20
Sensors and sensor mountings, accessories		
	Sensor, Series ST6 ▶ 6 mm T-slot ▶ with cable ▶ open cable ends, 2-pin, open cable ends, 3-pin	22
	Sensor, Series ST6 ▶ 6 mm T-slot ▶ with cable ▶ Plug, M8, 3-pin, with knurled screw	24
	Sensor, Series ST6 ▶ 6 mm T-slot ▶ with cable ▶ Plug, M8, 3-pin	25
	Sensor, Series ST6 ▶ 6 mm T-slot ▶ with cable ▶ Plug, M12, 3-pin, with knurled screw	27
	Sensor mounting, Series CB1 ▶ for Series ST6 ▶ to mount on cylinder CSL-RD, ICM, ICS-D1, ICS-D2, RPC	28
	Sensor, Series SN2 ▶ Plug, M8, 2-pin, Plug, M8, 3-pin, Plug, M8, 4-pin	29
	Sensor mounting ▶ for Series SN2	31
	Connecting cable, Series CN2 ▶ Socket, Snap Ø8, 3-pin, with detent, straight ▶ without wire end ferrule, tin-plated, 3-pin	32

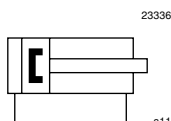
Piston rod cylinder ▶ Round cylinders
Series RPC

	<p>Connecting cable, Series CN2 ▶ Socket, M8, 3-pin, straight ▶ open cable ends, 3-pin</p>	<p>33</p>
	<p>Connecting cable, Series CN2 ▶ Socket, M8x1, 3-pin, angled ▶ open cable ends, 3-pin</p>	<p>34</p>
	<p>Socket, M8x1, Series CN2 ▶ Socket, M8x1, 3-pin</p>	<p>35</p>
	<p>Socket, M8x1, Series CN2 ▶ Socket, M8x1, 3-pin, angled</p>	<p>37</p>
<p>Other accessories</p>		
	<p>Silencers, Series SI1 ▶ Sintered bronze</p>	<p>39</p>
	<p>Silencers, Series SI1 ▶ Sintered bronze</p>	<p>40</p>

Piston rod cylinder ▶ Round cylinders

Round cylinder, Series RPC

▶ Version: mini type ▶ Ports: G 1/8 - G 3/8 ▶ double-acting ▶ with magnetic piston ▶ cushioning: elastic, non-adjustable ▶ with trunnion mounting ▶ Piston rod geometry: external thread



Compressed air connection	Internal thread
Working pressure min./max.	15 psi / 145 psi
Ambient temperature min./max.	-4°F / +176°F
Medium temperature min./max.	-4°F / +176°F
Medium	Compressed air
Oil content of compressed air	0 mg/m³ - 5 mg/m³
Pressure for determining piston forces	91.35 psi

Materials:	
Cylinder tube	Stainless steel
Piston rod	Stainless steel
Piston	Aluminum
Front cover	Aluminum
End cover	Aluminum, anodized
Seal	Polyurethane
Nut for piston rod	Steel, galvanized
Scraper	Polyurethane
Guide bushing	Steel
Lubricant	ISO 21469 (NSF-H1)

Technical Remarks

- The pressure dew point must be at least 27 °F under ambient and medium temperature and may not exceed 37 °F.
- The oil content of compressed air must remain constant during the life cycle.
- Use only the approved oils from AVENTICS, see chapter „Technical information“.
- Clamping piece for magnetic field sensor necessary

Piston Ø		[mm]	32	40	50	63
Retracting piston force		[lbf]	97.79	148.37	232.67	396.77
Extracting piston force		[lbf]	113.52	177.59	277.63	440.61
Impact energy		[inch]	0.59	0.767	0.944	1.11
Weight	+ inch stroke	[lbs]	0.033	0.0529	0.0881	0.097
Stroke max.		[inch]	47.24	47.24	47.24	47.24

	Piston Ø Piston rod thread Ports Piston rod Ø	32	40	50	63
		M10x1,25 G 1/8 12	M12x1,25 G 1/4 16	M16x1,5 G 1/4 20	M16x1,5 G 3/8 20
	Stroke 0.98	R412020640	R412020651	R412020662	R412020673
	1.97	R412020641	R412020652	R412020663	R412020674
	3.15	R412020642	R412020653	R412020664	R412020675
	3.94	R412020643	R412020654	R412020665	R412020676
	4.92	R412020644	R412020655	R412020666	R412020677
	6.3	R412020645	R412020656	R412020667	R412020678
	7.87	R412020646	R412020657	R412020668	R412020679
	9.84	R412020647	R412020658	R412020669	R412020680
	12.6	R412020648	R412020659	R412020670	R412020681
	15.75	R412020649	R412020660	R412020671	R412020682
	19.68	R412020650	R412020661	R412020672	R412020683

All dimensions in mm, unless specified otherwise.

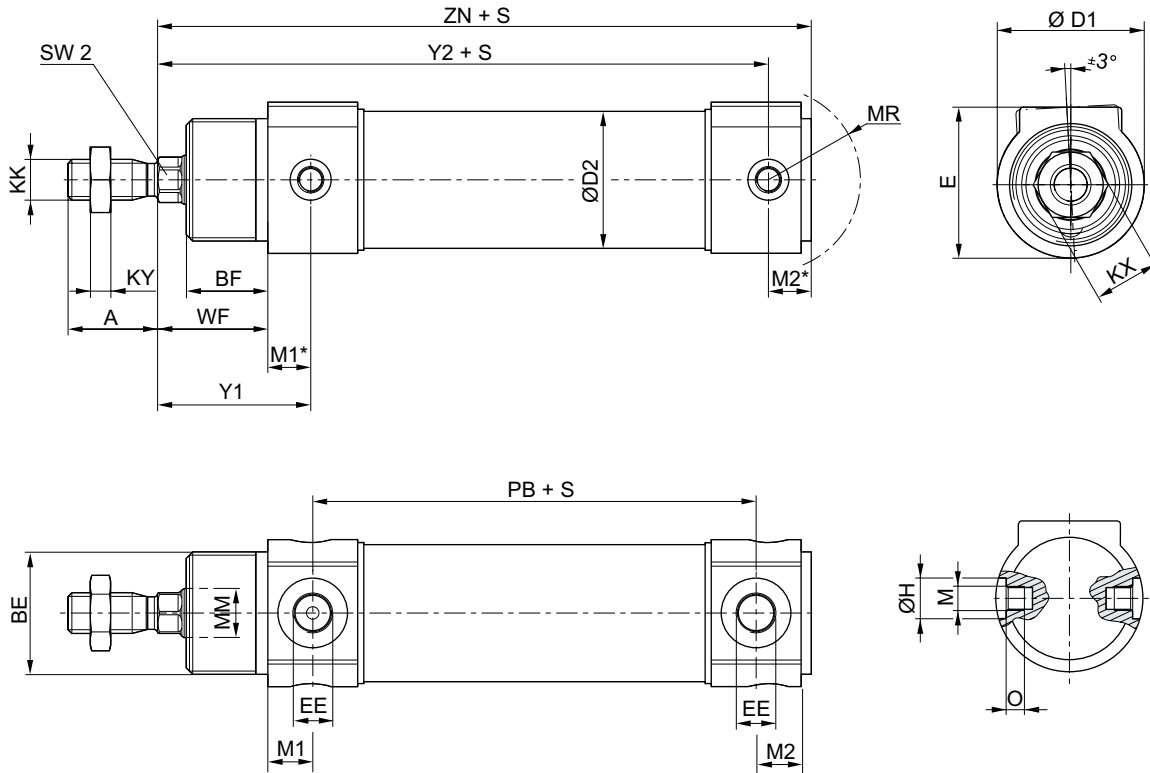
Part numbers marked in bold are available from the central warehouse in Germany, see the shopping basket for more detailed information

Pneumatics catalog, online PDF, as of 2016-01-14, ©AVENTICS S.à r.l., subject to change

Round cylinder, Series RPC

▶ Version: mini type ▶ Ports: G 1/8 - G 3/8 ▶ double-acting ▶ with magnetic piston ▶ cushioning: elastic, non-adjustable ▶ with trunnion mounting ▶ Piston rod geometry: external thread

Dimensions



S=stroke

22618

Piston Ø	A	BE	BF	Ø D1	Ø D2	E	EE	Ø H	KK	KX	KY	M
1.26	22	M30x1,5	20	36	33.5	37	G 1/8	10	M10x1,25*	16	5	M6x0,5
1.57	24	M38x1,5	23	45	41.5	45	G 1/4	12	M12x1,25*	19	6	M6x0,5
1.97	32	M45x1,5	24	55	52.5	55	G 1/4	14	M16x1,5	24	8	M8x0,75
2.48	32	M45x1,5	26.5	69	64.5	69	G 3/8	16	M16x1,5	24	8	M8x0,75

Piston Ø	Ø MM f8	M1	M1*	M2	M2*	MR	O	PB	SW2	WF	Y1	Y2	ZN
1.26	12	11	10.5	11	10.5	22.5	4.5	58.5	10	27	37.5	99.5	110
1.57	16	11.5	12	11.5	12.5	25.5	4.5	76	13	32	43	120	132.5
1.97	20	11.5	10	11.5	12.5	31	7.5	75.5	17	33.5	43.5	122	134.5
2.48	20	13.5	16	13.5	11.5	37.5	7.5	79	17	36.5	52.5	134	145.5

* Use our Internet configurator to order these variants with coarse-pitch thread M10x1.5 or M12x1.75.

All dimensions in mm, unless specified otherwise.

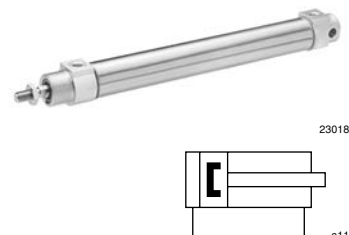
Part numbers marked in bold are available from the central warehouse in Germany, see the shopping basket for more detailed information

Pneumatics catalog, online PDF, as of 2016-01-14, ©AVENTICS S.à r.l., subject to change

Piston rod cylinder ▶ Round cylinders

Round cylinder, Series RPC

▶ Version: compact type ▶ Ports: G 1/8 - G 3/8 ▶ double-acting ▶ with magnetic piston ▶ cushioning: elastic, non-adjustable ▶ with integrated rear eye ▶ Piston rod geometry: external thread



Compressed air connection	Internal thread
Working pressure min./max.	15 psi / 145 psi
Ambient temperature min./max.	-4°F / +176°F
Medium temperature min./max.	-4°F / +176°F
Medium	Compressed air
Oil content of compressed air	0 mg/m³ - 5 mg/m³
Pressure for determining piston forces	91.35 psi

Materials:	
Cylinder tube	Stainless steel
Piston rod	Stainless steel
Piston	Aluminum
Front cover	Aluminum, anodized
End cover	Aluminum, anodized
Seal	Polyurethane
Nut for piston rod	Steel, galvanized
Scraper	Polyurethane
Guide bushing	Steel
Lubricant	ISO 21469 (NSF-H1)

Technical Remarks

- The pressure dew point must be at least 27 °F under ambient and medium temperature and may not exceed 37 °F.
- The oil content of compressed air must remain constant during the life cycle.
- Use only the approved oils from AVENTICS, see chapter „Technical information“.
- Clamping piece for magnetic field sensor necessary

Piston Ø		[mm]	32	40	50	63
Retracting piston force		[lbf]	97.79	148.37	232.67	396.77
Extracting piston force		[lbf]	113.52	177.59	277.63	440.61
Impact energy		[inch]	0.59	0.767	0.944	1.11
Weight	+ inch stroke	[lbs]	0.033	0.0529	0.0881	0.097
Stroke max.		[inch]	47.24	47.24	47.24	47.24

	Piston Ø Piston rod thread Ports Piston rod Ø	32	40	50	63
		M10x1,25 G 1/8 12	M12x1,25 G 1/4 16	M16x1,5 G 1/4 20	M16x1,5 G 3/8 20
	Stroke 0.98	R412020684	R412020695	R412020706	R412020717
	1.97	R412020685	R412020696	R412020707	R412020718
	3.15	R412020686	R412020697	R412020708	R412020719
	3.94	R412020687	R412020698	R412020709	R412020720
	4.92	R412020688	R412020699	R412020710	R412020721
	6.3	R412020689	R412020700	R412020711	R412020722
	7.87	R412020690	R412020701	R412020712	R412020723
	9.84	R412020691	R412020702	R412020713	R412020724
	12.6	R412020692	R412020703	R412020714	R412020725
	15.75	R412020693	R412020704	R412020715	R412020726
	19.68	R412020694	R412020705	R412020716	R412020727

All dimensions in mm, unless specified otherwise.

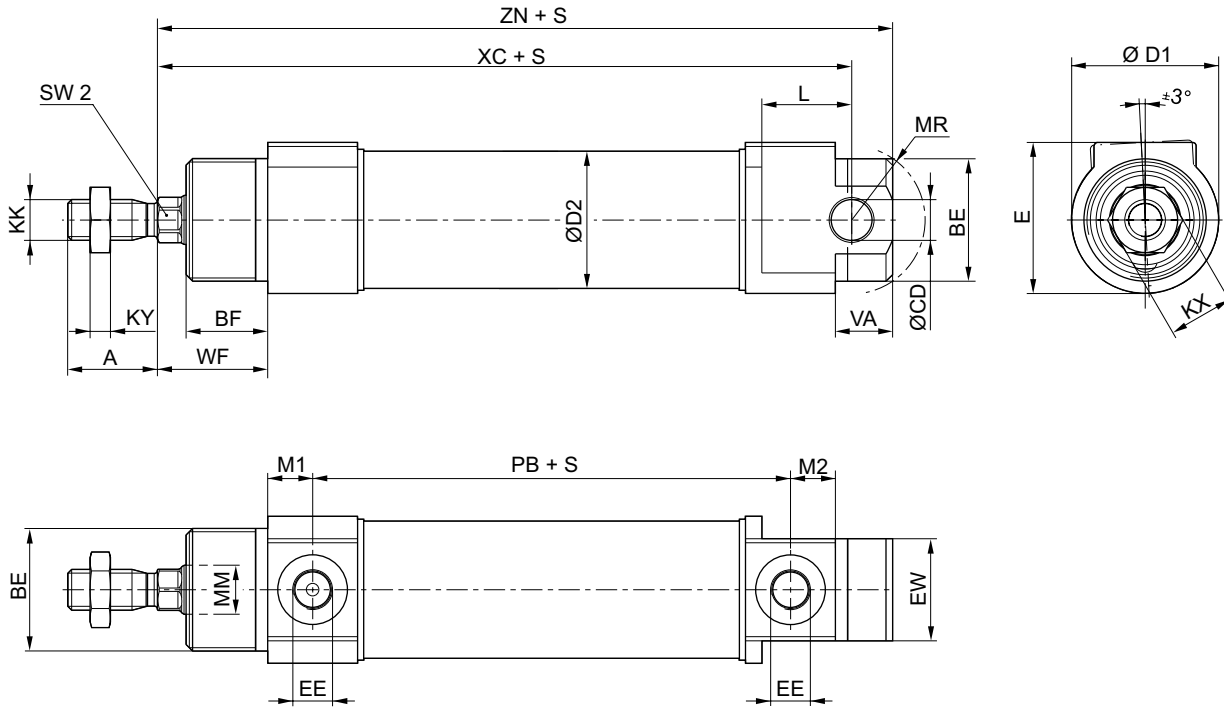
Part numbers marked in bold are available from the central warehouse in Germany, see the shopping basket for more detailed information

Pneumatics catalog, online PDF, as of 2016-01-14, ©AVENTICS S.à r.l., subject to change

Round cylinder, Series RPC

▶ Version: compact type ▶ Ports: G 1/8 - G 3/8 ▶ double-acting ▶ with magnetic piston ▶ cushioning: elastic, non-adjustable ▶ with integrated rear eye ▶ Piston rod geometry: external thread

Dimensions



22820

S=stroke

Piston Ø	A	BE	BF	Ø CD H8	Ø D1	Ø D2	E	EE	EW	KK	KX	KY
1.26	22	M30x1,5	20	10	36	33.5	37	G 1/8	25	M10x1,25*	16	5
1.57	24	M38x1,5	23	12	45	41.5	45	G 1/4	30	M12x1,25*	19	6
1.97	32	M45x1,5	24	12	55	52.5	55	G 1/4	35	M16x1,5	24	8
2.48	32	M45x1,5	26.5	16	69	64.5	69	G 3/8	35	M16x1,5	24	8

Piston Ø	L 1)	Ø MM f8	M1	M2	MR	PB	SW2	VA	WF	XC	ZN
1.26	22	12	11	11	18	67	10	14	27	120	130
1.57	23	16	11.5	11.5	22.5	78	13	15	32	136	147
1.97	26	20	11.5	11.5	25.5	77.5	17	18	33.5	141	152
2.48	29	20	13.5	13.5	36.5	81.5	17	20	36.5	151	165

* Use our Internet configurator to order these variants with coarse-pitch thread M10x1.5 or M12x1.75.

1) Min.

All dimensions in mm, unless specified otherwise.

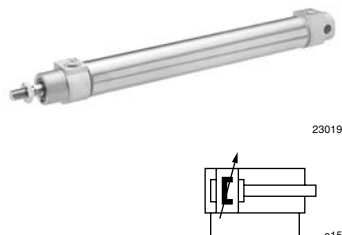
Part numbers marked in bold are available from the central warehouse in Germany, see the shopping basket for more detailed information

Pneumatics catalog, online PDF, as of 2016-01-14, ©AVENTICS S.à r.l., subject to change

Piston rod cylinder ▶ Round cylinders

Round cylinder, Series RPC

▶ Version: standard type ▶ Ports: G 1/8 - G 3/8 ▶ double-acting ▶ with magnetic piston ▶ cushioning: pneumatically, adjustable ▶ with integrated rear eye ▶ Piston rod geometry: external thread



Compressed air connection	Internal thread
Working pressure min./max.	15 psi / 145 psi
Ambient temperature min./max.	-4°F / +176°F
Medium temperature min./max.	-4°F / +176°F
Medium	Compressed air
Oil content of compressed air	0 mg/m³ - 5 mg/m³
Pressure for determining piston forces	91.35 psi

Materials:	
Cylinder tube	Stainless steel
Piston rod	Stainless steel
Piston	Polyamide, fiber-glass reinforced
Front cover	Aluminum, anodized
End cover	Aluminum, anodized
Seal	Polyurethane
Nut for piston rod	Steel, galvanized
Scraper	Polyurethane
Guide bushing	Steel
Lubricant	ISO 21469 (NSF-H1)

Technical Remarks

- The pressure dew point must be at least 27 °F under ambient and medium temperature and may not exceed 37 °F.
- The oil content of compressed air must remain constant during the life cycle.
- Use only the approved oils from AVENTICS, see chapter „Technical information“.
- Clamping piece for magnetic field sensor necessary

Piston Ø	[mm]	32	40	50	63	
Retracting piston force	[lbf]	97.79	148.37	232.67	396.77	
Extracting piston force	[lbf]	113.52	177.59	277.63	440.61	
Cushioning length	[inch]	0.6496	0.748	0.6692	0.6496	
Cushioning energy	[in.lbs.]	3.54	6.64	11.06	19.91	
Weight	+ inch stroke	[lbs]	0.033	0.0529	0.0881	0.097
Stroke max.	[inch]	47.24	47.24	47.24	47.24	

	Piston Ø Piston rod thread Ports Piston rod Ø	32 M10x1,25 G 1/8 12	40 M12x1,25 G 1/4 16	50 M16x1,5 G 1/4 20	63 M16x1,5 G 3/8 20
	Stroke 0.98	R412020728	R412020739	R412020750	R412020761
	1.97	R412020729	R412020740	R412020751	R412020762
	3.15	R412020730	R412020741	R412020752	R412020763
	3.94	R412020731	R412020742	R412020753	R412020764
	4.92	R412020732	R412020743	R412020754	R412020765
	6.3	R412020733	R412020744	R412020755	R412020766
	7.87	R412020734	R412020745	R412020756	R412020767
	9.84	R412020735	R412020746	R412020757	R412020768
	12.6	R412020736	R412020747	R412020758	R412020769
	15.75	R412020737	R412020748	R412020759	R412020770
	19.68	R412020738	R412020749	R412020760	R412020771

All dimensions in mm, unless specified otherwise.

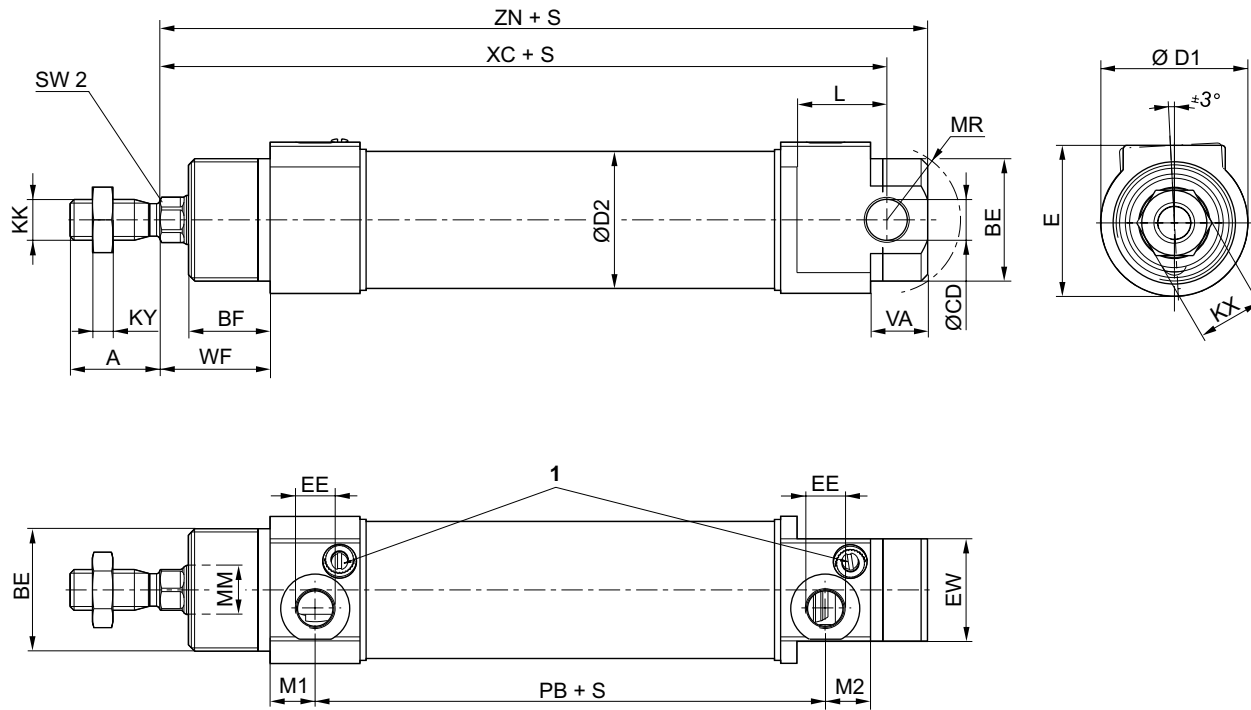
Part numbers marked in bold are available from the central warehouse in Germany, see the shopping basket for more detailed information

Pneumatics catalog, online PDF, as of 2016-01-14, ©AVENTICS S.à r.l., subject to change

Round cylinder, Series RPC

▶ Version: standard type ▶ Ports: G 1/8 - G 3/8 ▶ double-acting ▶ with magnetic piston ▶ cushioning: pneumatically, adjustable ▶ with integrated rear eye ▶ Piston rod geometry: external thread

Dimensions



S=stroke

1) Slot in throttle screw 1 mm

22819

Piston Ø	A	BE	BF	Ø CD H8	Ø D1	Ø D2	E	EE	EW	KK	KX	KY
1.26	22	M30x1,5	20	10	36	33.5	37	G 1/8	25	M10x1,25*	16	5
1.57	24	M38x1.5	23	12	45	41.5	45	G 1/4	30	M12x1,25*	19	6
1.97	32	M45x1,5	24	12	55	52.5	55	G 1/4	35	M16x1,5	24	8
2.48	32	M45x1,5	26.5	16	69	64.5	69	G 3/8	35	M16x1,5	24	8

Piston Ø	L 1)	Ø MM f8	M1	M2	MR	PB	SW2	VA	WF	XC	ZN		
1.26	22	12	11	11	18	75	10	14	27	128	138		
1.57	23	16	11.5	11.5	22.5	87	13	15	32	146	157		
1.97	26	20	11.5	11.5	25.5	87.5	17	18	33.5	151	162		
2.48	29	20	13	13.5	36.5	92	17	20	36.5	161	175		

* Use our Internet configurator to order these variants with coarse-pitch thread M10x1.5 or M12x1.75.

1) Min.

All dimensions in mm, unless specified otherwise.

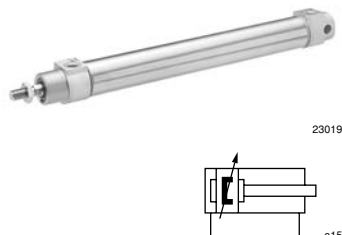
Part numbers marked in bold are available from the central warehouse in Germany, see the shopping basket for more detailed information

Pneumatics catalog, online PDF, as of 2016-01-14, ©AVENTICS S.à r.l., subject to change

Piston rod cylinder ▶ Round cylinders

Round cylinder, Series RPC

- ▶ Version: Standard type, heat-resistant ▶ Ports: G 1/8 - G 3/8 ▶ double-acting ▶ with magnetic piston
- ▶ cushioning: pneumatically, adjustable ▶ with integrated rear eye ▶ Piston rod geometry: external thread
- ▶ heat resistant



Compressed air connection	Internal thread
Working pressure min./max.	15 psi / 145 psi
Ambient temperature min./max.	+14 °F / +302 °F
Medium temperature min./max.	+14 °F / +302 °F
Medium	Compressed air
Oil content of compressed air	0 mg/m³ - 5 mg/m³
Pressure for determining piston forces	91.35 psi

Materials:	
Cylinder tube	Stainless steel
Piston rod	Stainless steel
Piston	Aluminum
Front cover	Aluminum, anodized
End cover	Aluminum, anodized
Seal	Fluorocautchouc
Nut for piston rod	Steel, galvanized
Scraper	Fluorocautchouc
Guide bushing	Steel
Lubricant	ISO 21469 (NSF-H1)

Technical Remarks

- The pressure dew point must be at least 27 °F under ambient and medium temperature and may not exceed 37 °F.
- The oil content of compressed air must remain constant during the life cycle.
- Use only the approved oils from AVENTICS, see chapter „Technical information“.
- Clamping piece for magnetic field sensor necessary
- Ambient temperature with contact query max. 248 °F

Piston Ø	[mm]	32	40	50	63	
Retracting piston force	[lbf]	97.79	148.37	232.67	396.77	
Extracting piston force	[lbf]	113.52	177.59	277.63	440.61	
Cushioning length	[inch]	0.6496	0.748	0.6692	0.6496	
Cushioning energy	[in.lbs.]	3.54	6.64	11.06	19.91	
Weight	+ inch stroke	[lbs]	0.033	0.0529	0.0881	0.097
Stroke max.	[inch]	47.24	47.24	47.24	47.24	

	Piston Ø Piston rod thread Ports Piston rod Ø	32 M10x1,25 G 1/8 12	40 M12x1,25 G 1/4 16	50 M16x1,5 G 1/4 20	63 M16x1,5 G 3/8 20
	Stroke 0.98	R412020772	R412020783	R412020794	R412020805
	1.97	R412020773	R412020784	R412020795	R412020806
	3.15	R412020774	R412020785	R412020796	R412020807
	3.94	R412020775	R412020786	R412020797	R412020808
	4.92	R412020776	R412020787	R412020798	R412020809
	6.3	R412020777	R412020788	R412020799	R412020810
	7.87	R412020778	R412020789	R412020800	R412020811
	9.84	R412020779	R412020790	R412020801	R412020812
	12.6	R412020780	R412020791	R412020802	R412020813
	15.75	R412020781	R412020792	R412020803	R412020814
	19.68	R412020782	R412020793	R412020804	R412020815

All dimensions in mm, unless specified otherwise.

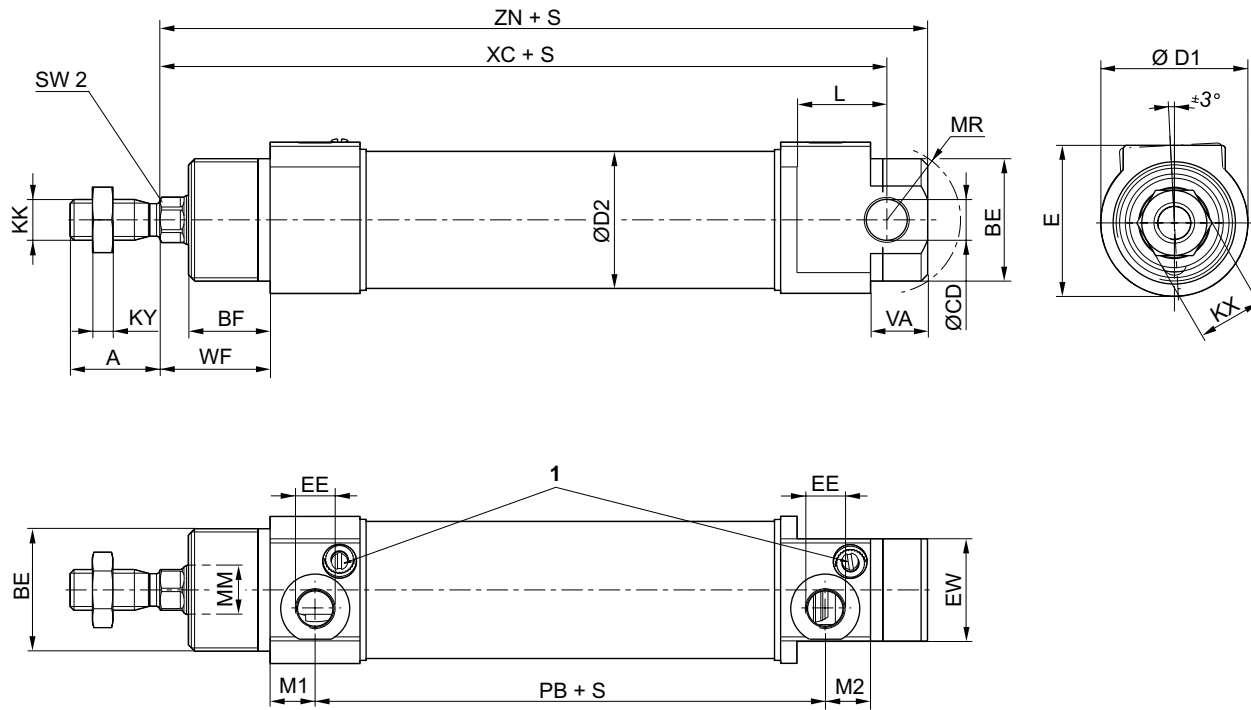
Part numbers marked in bold are available from the central warehouse in Germany, see the shopping basket for more detailed information

Pneumatics catalog, online PDF, as of 2016-01-14, ©AVENTICS S.à r.l., subject to change

Round cylinder, Series RPC

- ▶ Version: Standard type, heat-resistant ▶ Ports: G 1/8 - G 3/8 ▶ double-acting ▶ with magnetic piston
- ▶ cushioning: pneumatically, adjustable ▶ with integrated rear eye ▶ Piston rod geometry: external thread
- ▶ heat resistant

Dimensions



S=stroke

1) Slot in throttle screw 1 mm

22819

Piston Ø	A	BE	BF	Ø CD H8	Ø D1	Ø D2	E	EE	EW	KK	KX	KY
1.26	22	M30x1,5	20	10	36	33.5	37	G 1/8	25	M10x1,25*	16	5
1.57	24	M38x1.5	23	12	45	41.5	45	G 1/4	30	M12x1,25*	19	6
1.97	32	M45x1,5	24	12	55	52.5	55	G 1/4	35	M16x1,5	24	8
2.48	32	M45x1,5	26.5	16	69	64.5	69	G 3/8	35	M16x1,5	24	8

Piston Ø	L 1)	Ø MM f8	M1	M2	MR	PB	SW2	VA	WF	XC	ZN
1.26	22	12	11	11	18	75	10	14	27	128	138
1.57	23	16	11.5	11.5	22.5	87	13	15	32	146	157
1.97	26	20	11.5	11.5	25.5	87.5	17	18	33.5	151	162
2.48	29	20	13	13.5	36.5	92	17	20	36.5	161	175

* Use our Internet configurator to order these variants with coarse-pitch thread M10x1.5 or M12x1.75.

1) Min.

All dimensions in mm, unless specified otherwise.

Part numbers marked in bold are available from the central warehouse in Germany, see the shopping basket for more detailed information

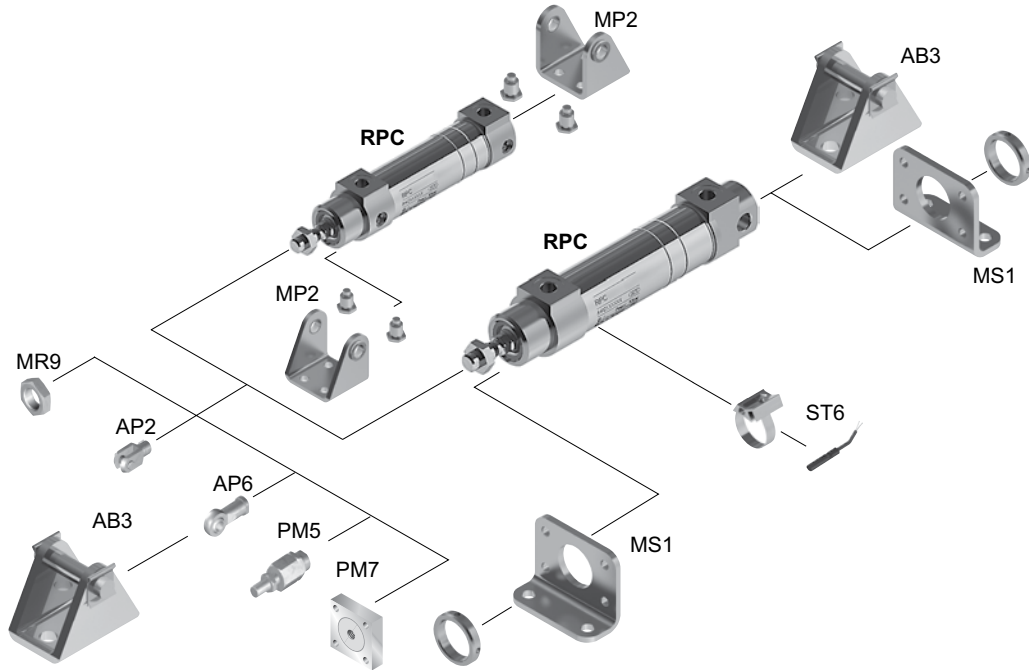
Pneumatics catalog, online PDF, as of 2016-01-14, ©AVENTICS S.à r.l., subject to change

Piston rod cylinder ▶ Round cylinders

Series RPC
Accessories

Accessories overview

Overview drawing



22825

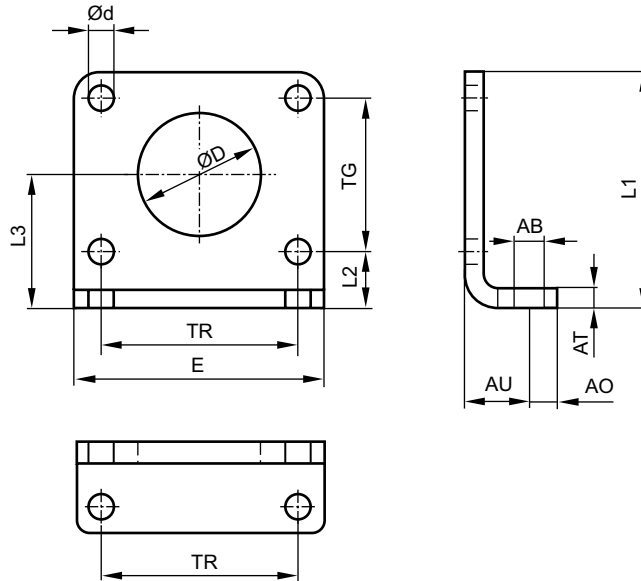
NOTE:

This overview drawing is only for orientation to see where the various accessory parts can be fastened to the cylinder. The illustration has been simplified for this purpose. It is thus not possible to derive the dimensions from this overview.

Series RPC
 Accessories

Foot mounting, Series MS1
 ▶ for Series RPC, CPC


P521_340



00132138

Part No.	Piston Ø	For series	Ø AB	AO	AT	AU ±0,2	Ø d	E	L1	L2	L3
5217000504	32	RPC CPC	9	10	5	20	7	72	56	18	32
5217010504	40	RPC CPC	9	10	5	20	9	80	58	18	33
5217020504	50	RPC CPC	11	10	6	25	9	90	75	25	45
5217030504	63	RPC CPC	11	10	6	25	9	96	85	25	50

Part No.	Piston Ø	Ø D	TG ±0,2	TR							
5217000504	32	30	28	52							
5217010504	40	38	30	60							
5217020504	50	45	40	70							
5217030504	63	45	50	76							

 Material: Steel
 Surface: galvanized

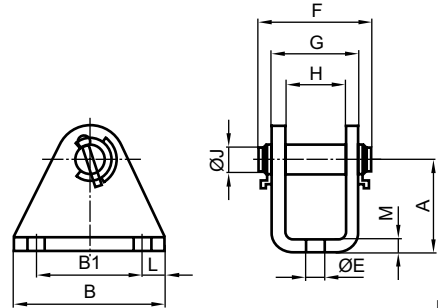
Piston rod cylinder ▶ Round cylinders

Series RPC
Accessories

Clevis mounting, Series AB3
▶ for Series RPC, CPC



P521_050



D521_340

Scope of delivery: clevis mounting incl. pivot pins

Part No.	Piston Ø	For series	A	B	B1	Ø E	F	G	H	Ø J	L	M
5217103402	32	RPC CPC	35	55	35	9	55	35.1	25.1	10	10	5
5217113402	40	RPC CPC	40	55	35	9	65	40.1	30.1	12	10	5
5217123402	50	RPC CPC	50	55	35	11	75	51.1	35.1	12	10	8
5217133402	63	RPC CPC	60	65	45	11	75	51.1	35.1	16	10	8

Material: Steel

All dimensions in mm, unless specified otherwise.

Part numbers marked in bold are available from the central warehouse in Germany, see the shopping basket for more detailed information

Pneumatics catalog, online PDF, as of 2016-01-14, ©AVENTICS S.à r.l., subject to change

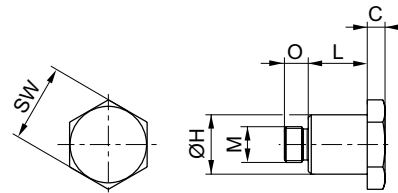
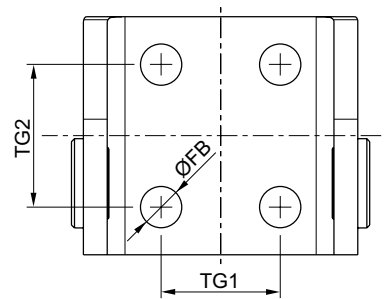
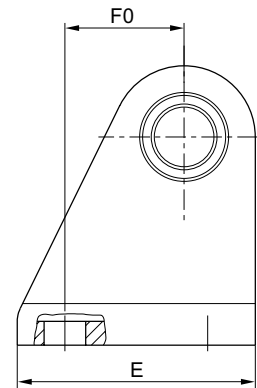
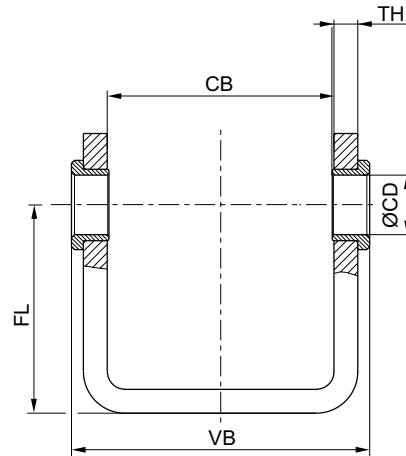
Series RPC Accessories

Trunnion mounting, Series MP2

▶ for Series RPC



23021_a



22821

Scope of delivery: trunnion mounting incl. fitting screws

Part No.	Piston Ø	For series	C	CB	Ø CD H9	E	Ø FB	FL	F0	Ø H e9	L
R412019988	32	RPC	3	38.1	10	40	7	35	20	10	9.9
R412019989	40	RPC	3	46.1	12	50	9	40	27	12	10.4
R412019990	50	RPC	4	57.1	14	54	9	45	30	14	12.9
R412019991	63	RPC	4	70.1	16	65	9	50	34	16	13.9

Part No.	Piston Ø	M	O	SW	TG1	TG2	TH	VB				
R412019988	32	M6x0,5	4	13	20	24	4	50.1				
R412019989	40	M6x0,5	4	17	28	30	5	60.1				
R412019990	50	M8x0,75	7	19	36	34	6	74.1				
R412019991	63	M8x0,75	7	19	42	35	6	87.1				

Material: Steel
Surface: galvanized

All dimensions in mm, unless specified otherwise.

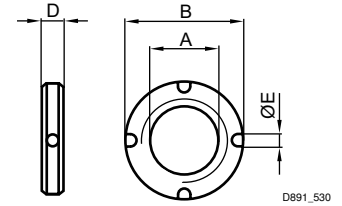
Part numbers marked in bold are available from the central warehouse in Germany, see the shopping basket for more detailed information

Pneumatics catalog, online PDF, as of 2016-01-14, ©AVENTICS S.à r.l., subject to change

Piston rod cylinder ▶ Round cylinders

Series RPC
Accessories

Lock nut for cylinder mounting
▶ for Series RPC, CPC



5217-071

Part No.	Piston Ø	For series	A	Ø B	D	E	Weight [lbs]			
8915308704	32	RPC CPC	M30x1,5	38	8	4	0.0661			
8915307604	40	RPC CPC	M38x1,5	50	10	5	0.1322			
8915309004	50, 63	RPC CPC	M45x1,5	55	10	5	0.1322			

Material: Steel
Surface: galvanized

All dimensions in mm, unless specified otherwise.

Part numbers marked in bold are available from the central warehouse in Germany, see the shopping basket for more detailed information

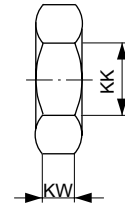
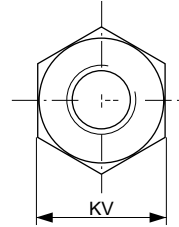
Pneumatics catalog, online PDF, as of 2016-01-14, ©AVENTICS S.à r.l., subject to change

Series RPC Accessories

Nut for piston rod, Series MR9



00105168



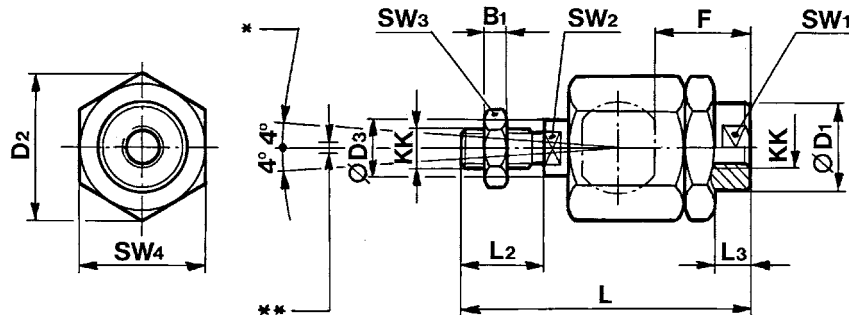
00105192

Part No.	KK	KV	KW	Material	Surface	Weight [lbs]				
8103040224	M10	17	8	Steel	galvanized	0.0242				
1823300020	M10x1,25	17	6	Steel	galvanized	0.022				
8103060064	M12	19	10	Steel	galvanized	0.0374				
1823A00021	M12x1,25	19	7	Steel	galvanized	0.0264				
1823300030	M16x1,5	24	8	Steel	galvanized	0.0374				

Flexible spherical coupling, Series PM5



00105169



D300_029

* angle equalization
 ** Radial joint from 0,5 - 2 mm
 Axial play set to 0.05 to 0.2 mm

Part No.	KK	B1	Ø D1	D2	Ø D3	F	L ±2	L2	L3 ±1	SW1	SW2	SW3
1826409002	M10x1,25	6	21.5	34	14	23	73	20	7.5	19	12	17
1826409003	M12x1,25	7	21.5	34	14	28	77	24	13	19	12	19
1826409004	M16x1,5	8	33.5	47	22	32	108	32	9	30	19	24

Part No.	SW4	Material	Surface	Weight [lbs]								
1826409002	30	Steel	galvanized	0.4629								
1826409003	30	Steel	galvanized	0.4629								
1826409004	41	Steel	galvanized	1.43								

All dimensions in mm, unless specified otherwise.

Part numbers marked in bold are available from the central warehouse in Germany, see the shopping basket for more detailed information

Pneumatics catalog, online PDF, as of 2016-01-14, ©AVENTICS S.à r.l., subject to change

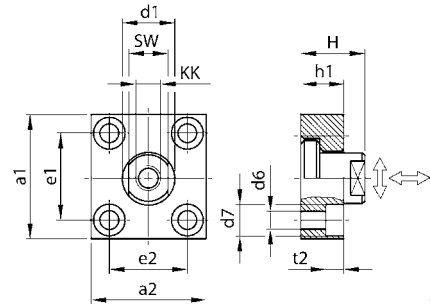
Piston rod cylinder ▶ Round cylinders

Series RPC Accessories

Flexible plate coupling, Series PM7



00105170



00105194

Part No.	KK	a1	a2	d1	h11	d6	H13	d7	H13	e1	H13	e2	h1	t2	H
1827001629	M10x1,25	60	37	20	6.6	11	36 ±0,15	23 ±0,15	15	7	24				
1827001630	M12x1,25	60	56	25	9	15	42 ±0,2	38 ±0,2	20	9	30				
1827001631	M16x1,5	80	80	30	11	18	58 ±0,2	58 ±0,2	20	11	32				

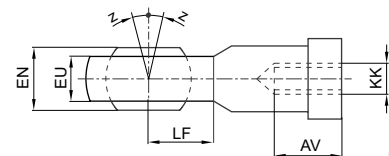
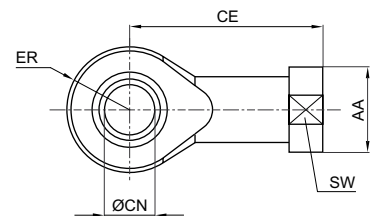
Part No.	SW	Tightening torque for the coupling pin Ma ± 5%	Axial play	radial play	Material	Surface	Weight
		[Nm]	min./max.	min./max.			[lbs]
1827001629	17	12.54	0.02	0.04	Steel	galvanized	0.6613
1827001630	19	21.39	0.02	0.04	Steel	galvanized	0.8818
1827001631	24	52.37	0.02	0.04	Steel	galvanized	1.98

Ball eye rod end with flange, Series AP6

▶ Steel



00105172



00126602

Part No.	KK	AA	AV	CE	Ø CN	EN -0,1	ER	EU	LF	SW	Z [°]
			min.		H7			max.			max.
8958206402	M10	19	20	43	10	14	14	10.5	13	17	6

All dimensions in mm, unless specified otherwise.

Part numbers marked in bold are available from the central warehouse in Germany, see the shopping basket for more detailed information

Pneumatics catalog, online PDF, as of 2016-01-14, ©AVENTICS S.à r.l., subject to change

Series RPC Accessories

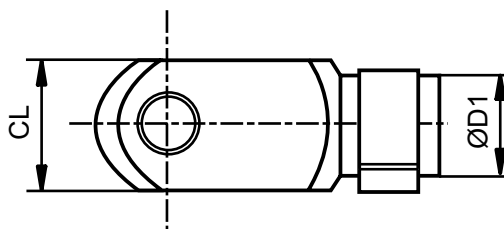
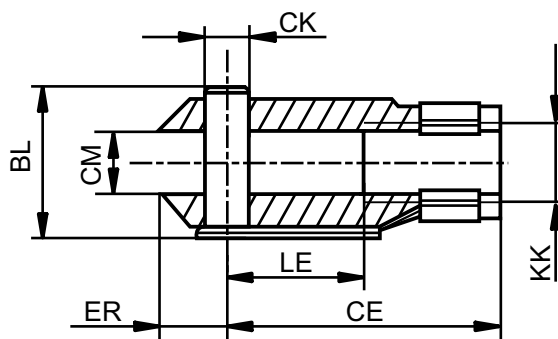
Part No.	KK	AA	AV min.	CE	Ø CN H7	EN -0,1	ER	EU max.	LF	SW	Z [°] max.
1822124003	M10x1,25	19	15	43	10	14	14	11.5	14	17	4
8958208852	M12	22	22	50	12	16	16	12	16	19	13
1822124004	M12x1,25	22	18	50	12	16	16	12.5	16	19	4
1822124005	M16x1,5	27	24	64	16	21	21	15.5	21	22	4

Part No.	Material	Surface	Weight [lbs]								
8958206402	Steel	galvanized	0.1455								
1822124003	Steel	galvanized	0.1543								
8958208852	Steel	galvanized	0.2425								
1822124004	Steel	galvanized	0.2645								
1822124005	Steel	galvanized	0.4629								

Rod clevis, Series AP2 ▶ galvanized steel



00105171



00126410_a

Part No.	KK	BL	CE	ØCK e11	CL	CM	ØD1	ER	LE	Material
8958000122	M10	26	40	10	20	10	18	12	20	Steel
1822122024	M10x1,25	26	40	10	20	10	18	12	20	Steel
8958000132	M12	31	48	12	24	12	20	14	24	Steel
1822122025	M12x1,25	31	48	12	24	12	20	14	24	Steel
1822122005	M16x1,5	39	64	16	32	16	26	19	32	Steel

All dimensions in mm, unless specified otherwise.

Part numbers marked in bold are available from the central warehouse in Germany, see the shopping basket for more detailed information

Pneumatics catalog, online PDF, as of 2016-01-14, ©AVENTICS S.à r.l., subject to change

Piston rod cylinder ▶ Round cylinders

Series RPC
Accessories

Part No.	Surface	Weight										
		[lbs]										
8958000122	galvanized	0.2204										
1822122024	galvanized	0.2204										
8958000132	galvanized	0.3527										
1822122025	galvanized	0.3527										
1822122005	galvanized	0.8818										

All dimensions in mm, unless specified otherwise.

Part numbers marked in bold are available from the central warehouse in Germany, see the shopping basket for more detailed information

Pneumatics catalog, online PDF, as of 2016-01-14, ©AVENTICS S.à r.l., subject to change

Series RPC Accessories

Sensor, Series ST6

▶ 6 mm T-slot ▶ with cable ▶ open cable ends, 2-pin, open cable ends, 3-pin



24712

Certificates	CE declaration of conformity cULus
Ambient temperature min./max.	-22° F / +176° F
Protection class	IP65, IP67, IP69K
Switching point precision [mm]	±0,1
Switching logic	NO (make contact)
Switching capacity	Reed, 2-pin: max. 10 W Reed, 3-pin: max. 6 W
LED status display	Yellow
Vibration resistance	10 - 55 Hz, 1 mm
Shock resistance	30 g / 11 ms
Materials:	
Housing	Polyamide
Cable sheath	Polyurethane
Locking screw	Stainless steel

Technical Remarks

- No cULus certification for 230 V variant.

	Type of contact	Cable length	DC operating voltage min./max.	Operational voltage AC min./max.	Voltage drop U at I _{max}	DC switching current, max.	AC switching current, max.	Part No.
		[ft.]	[V]	[V]	[V]	[A]	[A]	
	Reed	9.84	10 / 230	10 / 230	I*Rs	0,13	0,13	R412022866
	Reed	9.84 16.4 32.81	10 / 30	10 / 30	I*Rs	0,3	0,5	R412022869 R412022870 R412022871
	electronic PNP	9.84 16.4 32.81	10 / 30	-	≤ 2,5	0,13	-	R412022853 R412022855 R412022857
	electronic NPN	9.84 16.4	10 / 30	-	≤ 2,5	0,13	-	R412022849 R412022850

Part No.	Max. switching frequency	Operating current, not switched	Operating current, switched	Fig.	Note
	[kHz]	[mA]	[mA]		
R412022866	< 0,4	-	-	Fig. 1	1); 3)
R412022869 R412022870 R412022871	< 0,4	-	-	Fig. 2	2); 3)
R412022853 R412022855 R412022857	< 1,0	< 8 mA	< 30 mA	Fig. 2	2); 4)
R412022849 R412022850	< 1,0	< 8 mA	< 30 mA	Fig. 2	2); 4)

- 1) interfaces: open cable ends; 2-pin
- 2) interfaces: open cable ends; 3-pin
- 3) Protected against polarity reversal
- 4) short circuit resistant / Protected against polarity reversal

All dimensions in mm, unless specified otherwise.

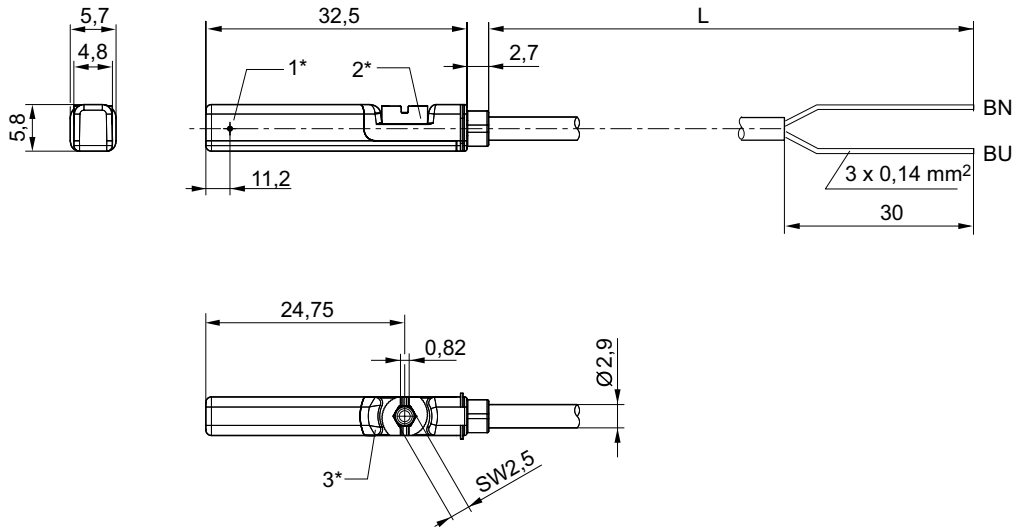
Part numbers marked in bold are available from the central warehouse in Germany, see the shopping basket for more detailed information

Pneumatics catalog, online PDF, as of 2016-01-14, ©AVENTICS S.à r.l., subject to change

Piston rod cylinder ▶ Round cylinders

Series RPC
Accessories

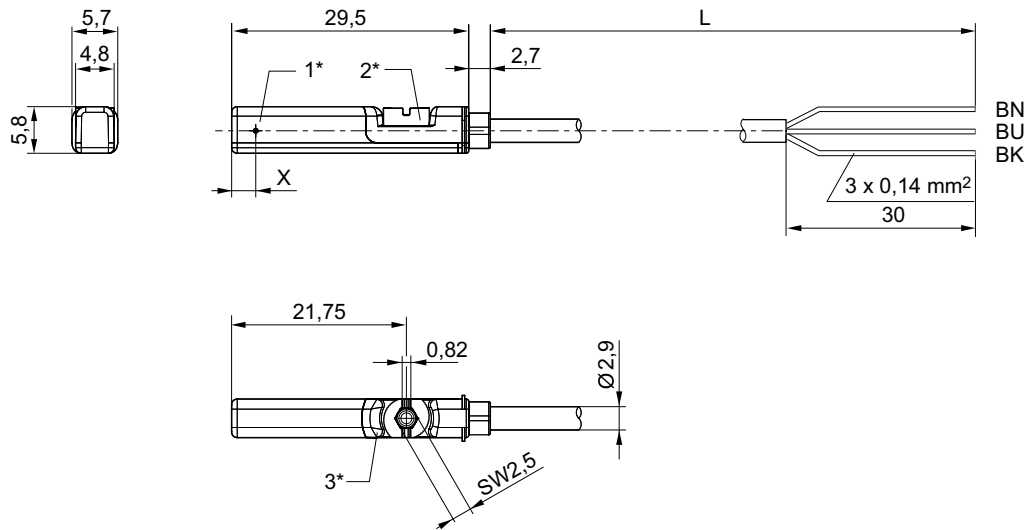
Fig. 1



24619

1* = switching point 2* = locking screw 3* = LED window, transparent
L = cable length
BN=brown, BU=blue

Fig. 2



24620

1* = switching point 2* = locking screw 3* = LED window, transparent
L = cable length
BN = brown, BK = black, BU = blue
X = electronic: 11,6 mm, Reed: 8,3 mm

Series RPC Accessories

Sensor, Series ST6

▶ 6 mm T-slot ▶ with cable ▶ Plug, M8, 3-pin, with knurled screw



24713

Certificates	CE declaration of conformity cULus
Ambient temperature min./max.	-22° F / +176° F
Protection class	IP65, IP67
Switching point precision [mm]	±0,1
DC operating voltage min./max.	10 V - 30 V
Switching logic	NO (make contact)
Switching capacity	Reed, 3-pin: max. 6 W
LED status display	Yellow
Vibration resistance	10 - 55 Hz, 1 mm
Shock resistance	30 g / 11 ms
Materials:	
Housing	Polyamide
Locking screw	Stainless steel

	Type of contact	Cable length	Operational voltage AC min./max.	Voltage drop U at I _{max}	DC switching current, max.	AC switching current, max.	Max. switching frequency	Part No.
		[ft.]	[V]	[V]	[A]	[A]	[kHz]	
	Reed	0.9842	10 / 30	I*Rs	0,3	0,5	< 0,4	R412022873
		0.9842						R412022875
		1.64						R412022874
	electronic PNP	0.9842	-	≤ 2,5	0,13	-	< 1,0	R412022859
		0.9842						R412022862
		1.64						R412022861
	electronic NPN	0.9842	-	≤ 2,5	0,13	-	< 1,0	R412022852

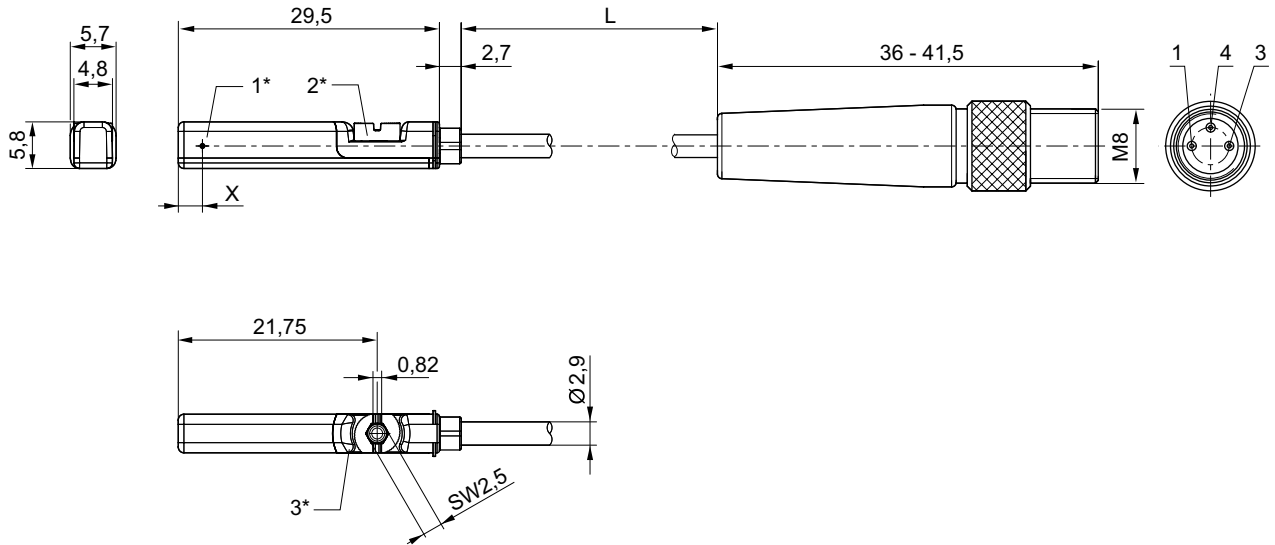
Part No.	Operating current, not switched	Operating current, switched	Note
	[mA]	[mA]	
R412022873			1); 3)
R412022875	-	-	2); 3)
R412022874			1); 3)
R412022859			1); 4)
R412022862	< 8 mA	< 30 mA	2); 4)
R412022861			1); 4)
R412022852	< 8 mA	< 30 mA	1); 4)

- 1) Material Cable sheath: Polyurethane
 2) Material Cable sheath: Polyvinyl chloride
 3) Protected against polarity reversal
 4) short circuit resistant / Protected against polarity reversal
 interfaces: Plug; M8; 3-pin; with knurled screw

Piston rod cylinder ▶ Round cylinders

Series RPC Accessories

Dimensions



1* = switching point 2* = locking screw 3* = LED window, transparent
 L = cable length
 X = electronic: 11,6 mm, Reed: 8,3 mm
 Pin assignment: 1 = (+), 3 = (-), 4 = (OUT)

24622

Sensor, Series ST6

▶ 6 mm T-slot ▶ with cable ▶ Plug, M8, 3-pin



24742

Certificates

Ambient temperature min./max.
 Protection class
 Switching point precision [mm]
 DC operating voltage min./max.
 Switching logic
 Switching capacity

LED status display
 Vibration resistance
 Shock resistance

Materials:

Housing
 Cable sheath
 Locking screw

CE declaration of conformity cULus

-22 °F / +176 °F
 IP65, IP67
 ±0,1
 10 V - 30 V
 NO (make contact)
 Reed, 2-pin: max. 10 W
 Reed, 3-pin: max. 6 W
 Yellow
 10 - 55 Hz, 1 mm
 30 g / 11 ms

Polyamide
 Polyurethane
 Stainless steel

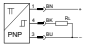
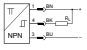
	Type of contact	Cable length	Operational voltage AC min./max.	Voltage drop U at I _{max}	DC switching current, max.	AC switching current, max.	Max. switching frequency	Part No.
		[ft.]	[V]	[V]	[A]	[A]	[kHz]	
	Reed	0.9842	10 / 30	I*Rs	0,13	0,13	< 0,4	R412022868
	Reed	0.9842	10 / 30	I*Rs	0,3	0,5	< 0,4	R412022872

All dimensions in mm, unless specified otherwise.

Part numbers marked in bold are available from the central warehouse in Germany, see the shopping basket for more detailed information

Pneumatics catalog, online PDF, as of 2016-01-14, ©AVENTICS S.à r.l., subject to change

Series RPC Accessories

	Type of contact	Cable length	Operational voltage AC min./max.	Voltage drop U at I _{max}	DC switching current, max.	AC switching current, max.	Max. switching frequency	Part No.
		[ft.]	[V]	[V]	[A]	[A]	[kHz]	
	electronic PNP	0.9842	-	≤ 2,5	0,13	-	< 1,0	R412022868
	electronic NPN	0.9842	-	≤ 2,5	0,13	-	< 1,0	R412022851

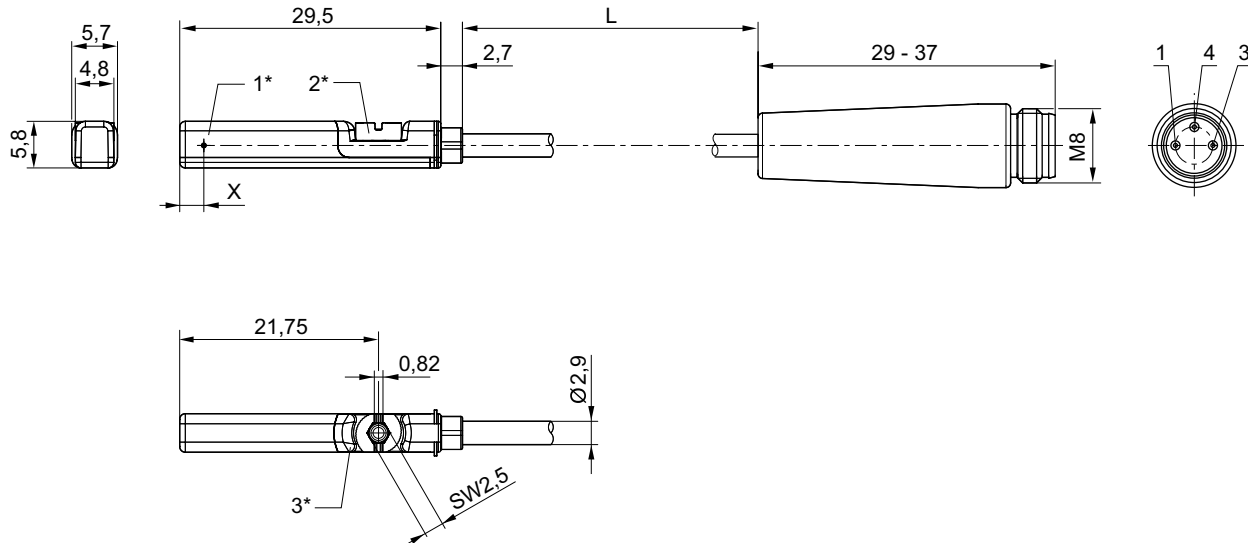
Part No.	Operating current, not switched		Operating current, switched		Note
	[mA]		[mA]		
R412022868	-		-		1)
R412022872	-		-		1)
R412022858	< 8 mA		< 30 mA		2)
R412022851	< 8 mA		< 30 mA		2)

1) Protected against polarity reversal

2) short circuit resistant / Protected against polarity reversal

interfaces: Plug; M8; 3-pin

Dimensions



1* = switching point 2* = locking screw 3* = LED window, transparent

L = cable length

X = electronic: 11,6 mm, Reed: 8,3 mm

Pin assignment: 1 = (+), 3 = (-), 4 = (OUT)

24621

Piston rod cylinder ▶ Round cylinders

Series RPC Accessories

Sensor, Series ST6

▶ 6 mm T-slot ▶ with cable ▶ Plug, M12, 3-pin, with knurled screw



24714

Certificates

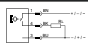
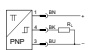
Ambient temperature min./max.
Protection class
Switching point precision [mm]
DC operating voltage min./max.
Switching logic
Switching capacity
LED status display
Vibration resistance
Shock resistance

CE declaration of conformity cULus

-22 °F / +176 °F
IP65, IP67
±0,1
10 V - 30 V
NO (make contact)
Reed, 3-pin: max. 6 W
Yellow
10 - 55 Hz, 1 mm
30 g / 11 ms

Materials:

Housing Polyamide
Cable sheath Polyurethane
Locking screw Stainless steel

	Type of contact	Cable length	Operational voltage AC min./max.	Voltage drop U at I _{max}	DC switching current, max.	AC switching current, max.	Max. switching frequency	Part No.
		[ft.]	[V]	[V]	[A]	[A]	[kHz]	
	Reed	0.9842	10 / 30	I*Rs	0,3	0,5	< 0,4	R412022876
	electronic PNP	0.328 0.9842 9.84 16.4	-	≤ 2,5	0,13	-	< 1,0	R412022879 R412022863 R412022877 R412022878

Part No.	Operating current, not switched	Operating current, switched	Note
	[mA]	[mA]	
R412022876	-	-	1)
R412022879 R412022863 R412022877 R412022878	< 8 mA	< 30 mA	2)

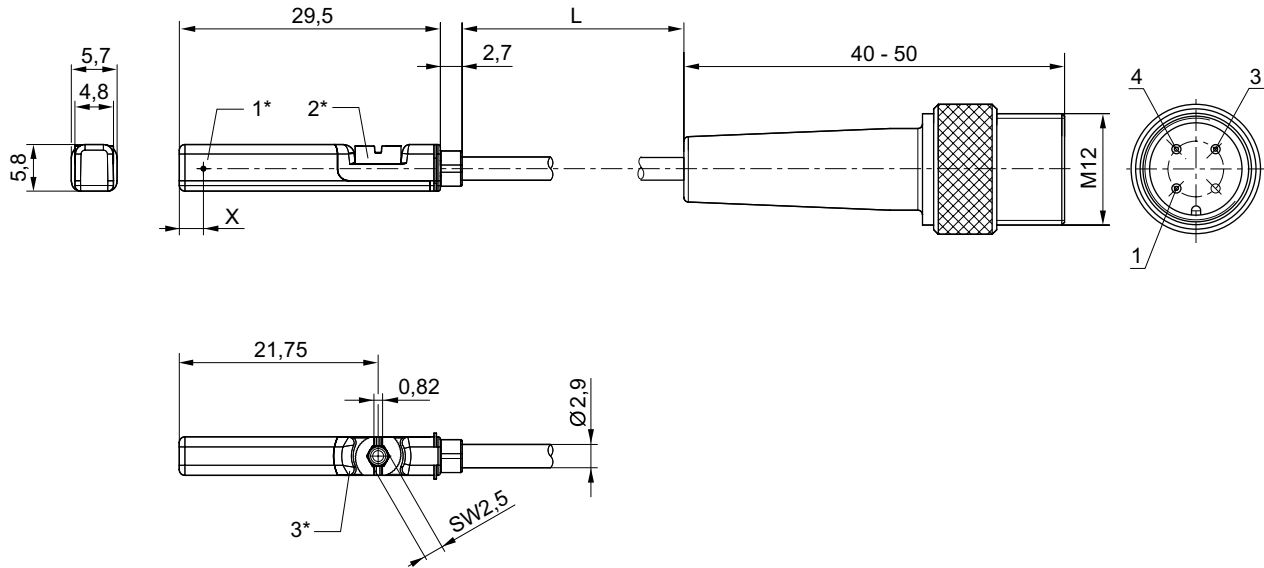
1) Protected against polarity reversal

2) short circuit resistant / Protected against polarity reversal

interfaces: Plug; M12; 3-pin; with knurled screw

Series RPC Accessories

Dimensions

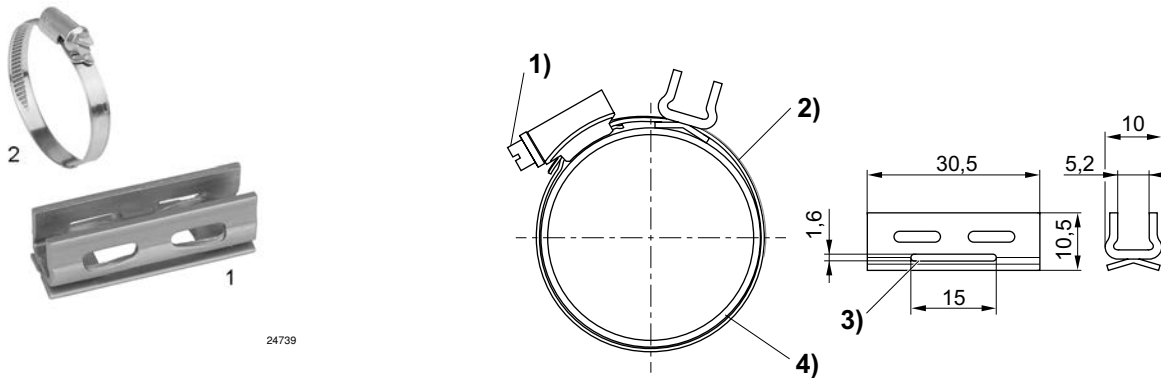


24623

1* = switching point 2* = locking screw 3* = LED window, transparent
 L = cable length
 X = PNP: 11,6 mm, reed: 8,3 mm
 Pin assignment: 1 = (+), 3 = (-), 4 = (OUT)

Sensor mounting, Series CB1

▶ for Series ST6 ▶ to mount on cylinder CSL-RD, ICM, ICS-D1, ICS-D2, RPC



24640

1) Mounting screw 2) Tightening strap 3) Opening for tightening strap 4) Cylinder tube

Part No.	Cylinders Ø [mm]	For series	Material	Weight [lbs]	Fig.				
R412024050	25 - 32	ST6	Stainless steel	-	Fig. 2				
R412024051	40	ST6	Stainless steel	-	Fig. 2				
R412024052	50	ST6	Stainless steel	-	Fig. 2				
R412024053	63	ST6	Stainless steel	-	Fig. 2				
R412024054	-	ST6	Stainless steel	0.0242	Fig. 1				

All dimensions in mm, unless specified otherwise.

Part numbers marked in bold are available from the central warehouse in Germany, see the shopping basket for more detailed information

Pneumatics catalog, online PDF, as of 2016-01-14, ©AVENTICS S.à r.l., subject to change

Piston rod cylinder ▶ Round cylinders

Series RPC Accessories

Sensor, Series SN2

▶ Plug, M8, 2-pin, Plug, M8, 3-pin, Plug, M8, 4-pin



00105970_1

Ambient temperature min./max.
Protection class
Switching point precision [mm]

See table below
IP67
±0,1

Technical Remarks

- If reed sensors are used, we recommend using a short-circuit protective device (SCPD).

	Type of contact	DC operating voltage min./max. [V]	Operational voltage AC min./max. [V]	Voltage drop U at I _{max} [V]	DC switching current, max. [A]	AC switching current, max. [A]	Part No.
	Reed	12 / 36	12 / 30	2,1 V + I*Rs	0,13 0,3	0,13 0,5	0830100465 0830100468
	Reed	12 / 36	12 / 30	I*Rs	0,13	0,13	0830100469
	Reed	12 / 36	12 / 30	≤ 3,5	0,13	0,13	0830100467
	Reed	12 / 36	12 / 30	≤ 1,5 I*Rs	0,2 0,13	0,13	0830100472 R412004820
	Reed	12 / 36	12 / 30	2,1 V + I*Rs	0,13	0,13	R412004299 0830100466

Part No.	Function	Ambient temperature min./max.	Switching capacity	Protective resistor for reed [Ω]	Vibration resistance	Shock resistance Max.	Operating current, not switched [mA]
0830100465 0830100468	Reed 2-Wire	-4°F / +176°F	10 W / 10 VA	27 1,3	30 g (50 - 2000 Hz)	100 g / 11 ms	-
0830100469	Reed 3-Wire	-4°F / +176°F	5,5 W / 5,5 VA	27	30 g (50 - 1000 Hz)	100 g / 11 ms	-
0830100467	-	-4°F / +176°F	10 W / 10 VA	27	30 g (50 - 2000 Hz)	50 g / 11 ms	-
0830100472 R412004820	Reed 3-Wire, with pulse stretching	-4°F / +158°F	-	-	35 g (50 - 2000 Hz)	50 g / 11 ms	< 3 mA
R412004299 0830100466	Reed 3-Wire	-4°F / +176°F	10 W / 10 VA	27 100	30 g (50 - 2000 Hz)	100 g / 11 ms	-

Part No.	Operating current, switched [mA]	LED	Fig.	Note
0830100465 0830100468	-	Yellow	Fig. 1	1); 4); 6)

- 1) interfaces: Plug; M8; 2-pin
- 2) interfaces: Plug; M8; 3-pin
- 3) interfaces: Plug; M8; 4-pin
- 4) Material Housing: Polyamide
- 5) Material Housing: epoxy resin
- 6) Protected against polarity reversal
- 7) short circuit resistant / Protected against polarity reversal
- 8) With stretched impulse

All dimensions in mm, unless specified otherwise.

Part numbers marked in bold are available from the central warehouse in Germany, see the shopping basket for more detailed information

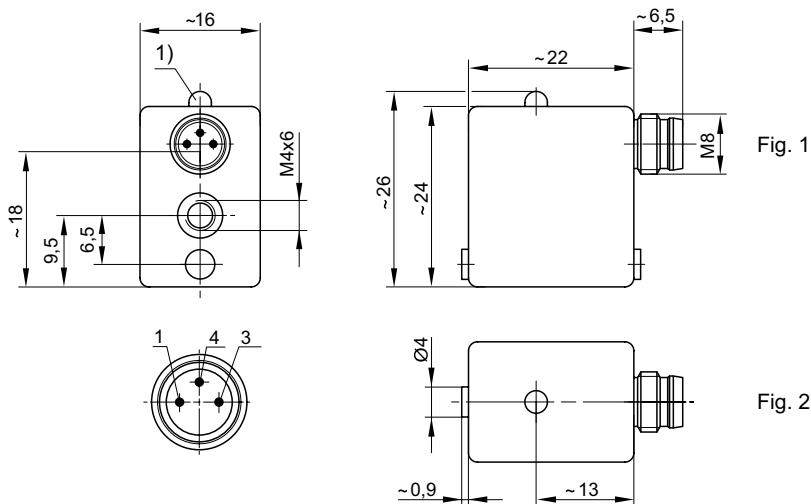
Pneumatics catalog, online PDF, as of 2016-01-14, ©AVENTICS S.à r.l., subject to change

Series RPC Accessories

Part No.	Operating current, switched [mA]	LED	Fig.	Note
0830100469	-	Yellow	Fig. 1	2); 4); 6)
0830100467	-	Red	Fig. 2	3); 5); 6)
0830100472	< 14 mA	Red	Fig. 1	2); 5); 7); 8)
R412004820	-	Yellow		
R412004299	-	Yellow	Fig. 1	2); 4); 6)
0830100466	-			

- 1) interfaces: Plug; M8; 2-pin
- 2) interfaces: Plug; M8; 3-pin
- 3) interfaces: Plug; M8; 4-pin
- 4) Material Housing: Polyamide
- 5) Material Housing: epoxy resin
- 6) Protected against polarity reversal
- 7) short circuit resistant / Protected against polarity reversal
- 8) With stretched impulse

Fig. 1



00111946_b

1) LED

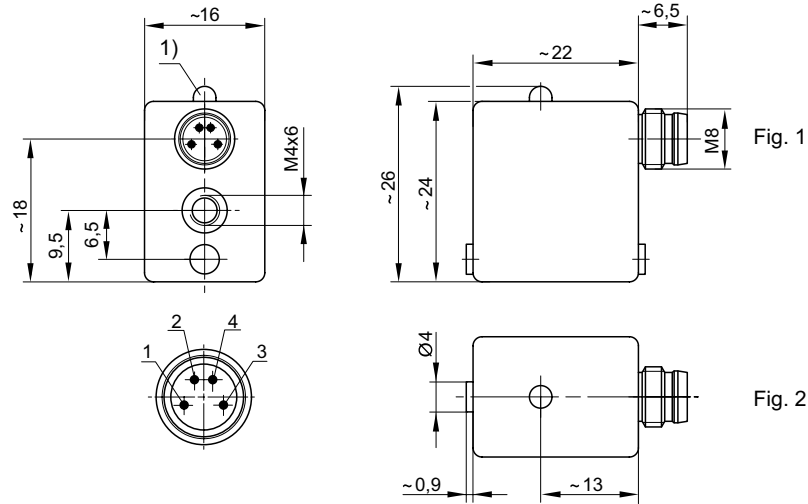
M8: combination plug can be combined with electrical connectors Ø6.5 mm and M8.

Pin assignments: 1 = (+), 3 = (-), 4 = (OUT), EN 60947-5-2:1998

Piston rod cylinder ▶ Round cylinders

Series RPC
Accessories

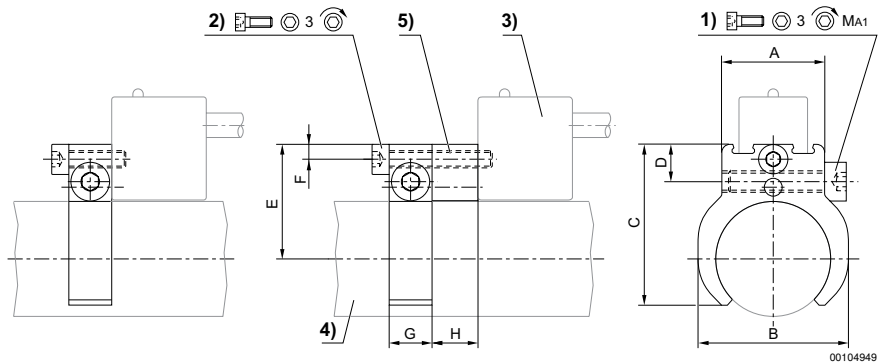
Fig. 2



1) LED
M8: combination plug can be combined with electrical connectors Ø6.5 mm and M8.
Pin assignments: 1 = (+), 3 = (-), 4 = (OUT), EN 60947-5-2:1998

00111946_c

Sensor mounting
▶ for Series SN2



1) Clamping screw 2) Mounting screw 3) Sensor 4) Cylinder profile 5) Insert (on request)

Part No.	Cylinders Ø [mm]	For series	A	B	C	D	E	F	G	H
1827020142	32 - 32	SN2	26	42	44	9	30	3.5	10	-
1827020143	40 - 40	SN2	28	50	51	9	34	3.5	10	-
1827020144	50 - 50	SN2	34	62	60	9	39.3	3.5	10	-
1827020266	63 - 63	SN2	45	75	72	9.5	45.7	3.5	14	-

Part No.	1)	MA1 [Nm]	Material
1827020142	M4x25	1 +0,3	Aluminum
1827020143	M4x25	1 +0,3	Aluminum
1827020144	M4x25	1 +0,3	Aluminum
1827020266	M4x18	1 +0,3	Aluminum

All dimensions in mm, unless specified otherwise.

Part numbers marked in bold are available from the central warehouse in Germany, see the shopping basket for more detailed information

Pneumatics catalog, online PDF, as of 2016-01-14, ©AVENTICS S.à r.l., subject to change

Series RPC Accessories

Connecting cable, Series CN2

▶ Socket, Snap Ø8, 3-pin, with detent, straight ▶ without wire end ferrule, tin-plated, 3-pin



P222_141_a

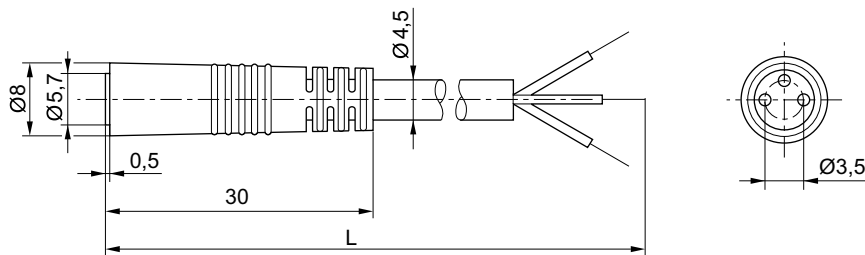
Protection class	IP65
Wire cross-section	0 in ²
Materials:	
Housing color	Black
Cable sheath	Polyvinyl chloride

Technical Remarks

- The specified protection class is only valid in assembled and tested state.

	Operational voltage		Max. current	Number of wires	Cable exit	Cable length L	Weight	Part No.
	[V AC]	[V DC]	[A]			[ft.]	[lbs]	
	48	48	3	3	straight 180°	8.2	0.1278	8946016112

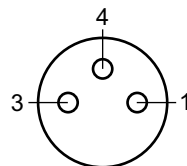
Dimensions



D523_104_a

L = length

Pin assignment



Buchse_3-polig

- (1) BN=brown
- (3) BU=blue
- (4) BK=black

All dimensions in mm, unless specified otherwise.

Part numbers marked in bold are available from the central warehouse in Germany, see the shopping basket for more detailed information

Pneumatics catalog, online PDF, as of 2016-01-14, ©AVENTICS S.à r.l., subject to change

Piston rod cylinder ▶ Round cylinders

Series RPC
Accessories

Connecting cable, Series CN2

▶ Socket, M8, 3-pin, straight ▶ open cable ends, 3-pin



00107009_b

Ambient temperature min./max.
Protection class

-40°F / +185°F
IP65

Materials:
Cable sheath

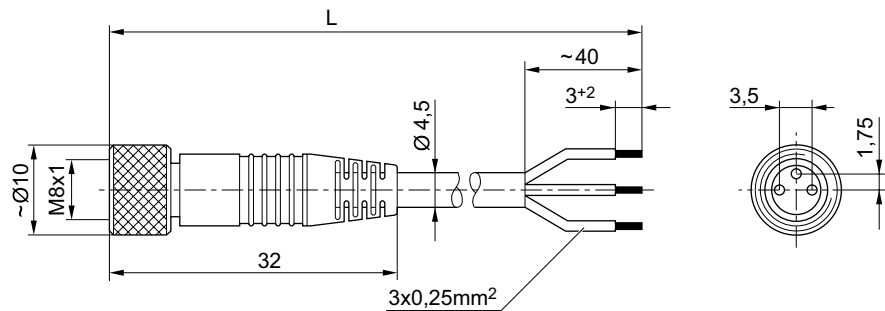
Polyurethane

Technical Remarks

- The specified protection class is only valid in assembled and tested state.

	Max. current	Number of wires	Wire cross-section	Cable-Ø	Cable length L	Weight	Part No.
	[A]		[in ²]	[inch]	[ft.]	[lbs]	
	4	3	0	0.18	9.84	0.2006	1834484166
					16.4	0.3196	1834484168
					32.81	0.7275	1834484247

Dimensions



00105612_a

L = length

All dimensions in mm, unless specified otherwise.

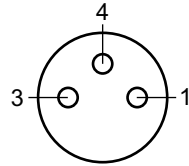
Part numbers marked in bold are available from the central warehouse in Germany, see the shopping basket for more detailed information

Pneumatics catalog, online PDF, as of 2016-01-14, ©AVENTICS S.à r.l., subject to change

Series RPC

Accessories

Pin assignment



Buchse_3-polig

- (1) BN=brown
 (3) BU=blue
 (4) BK=black

Connecting cable, Series CN2

▶ Socket, M8x1, 3-pin, angled ▶ open cable ends, 3-pin



00107009_c

Ambient temperature min./max.
 Protection class

-40° F / +185° F
 IP65

Materials:
 Cable sheath

Polyurethane

Technical Remarks

- The specified protection class is only valid in assembled and tested state.

	Max. current	Number of wires	Wire cross-section	Cable-Ø	Cable length L	Weight	Part No.
	[A]		[in ²]	[inch]	[ft.]	[lbs]	
	4	3	0	0.18	9.84	0.2028	1834484167
					16.4	0.3108	1834484169
					32.81	0.6084	1834484248

All dimensions in mm, unless specified otherwise.

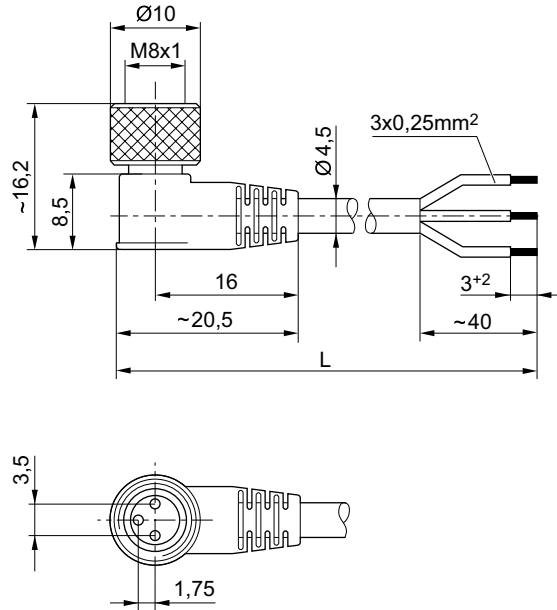
Part numbers marked in bold are available from the central warehouse in Germany, see the shopping basket for more detailed information

Pneumatics catalog, online PDF, as of 2016-01-14, ©AVENTICS S.à r.l., subject to change

Piston rod cylinder ▶ Round cylinders

Series RPC
Accessories

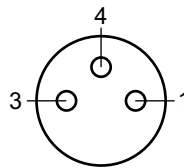
Dimensions



00105612_b

L = length

Pin assignment



Buchse_3-polig

- (1) BN=brown
- (3) BU=blue
- (4) BK=black

Socket, M8x1, Series CN2
▶ Socket, M8x1, 3-pin



00138877

Ambient temperature min./max.
Protection class

-13°F / +176°F
IP67

Materials:
Housing

Polyamide

All dimensions in mm, unless specified otherwise.

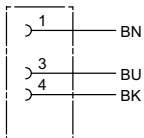
Part numbers marked in bold are available from the central warehouse in Germany, see the shopping basket for more detailed information

Pneumatics catalog, online PDF, as of 2016-01-14, ©AVENTICS S.à r.l., subject to change

Series RPC Accessories

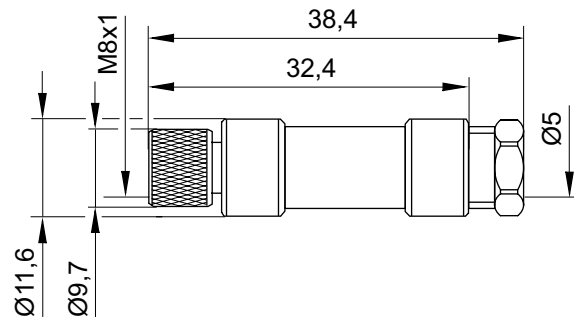
Technical Remarks

- The specified protection class is only valid in assembled and tested state.

	Operational voltage		Max. current [A]	Cable exit	suitable cable-Ø min./max [inch]	number of plug options 1	Housing color	Part No.
	AC	DC						
	[V]	[V]						
	48	48	4	straight	0.14 / 0.19	1 position	Black	1834484173

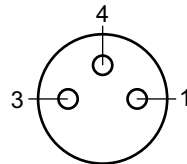
Part No.	Weight
	[lbs]
1834484173	0.0176

Dimensions



16405

Pin assignment



Buchse_3-polig

All dimensions in mm, unless specified otherwise.

Part numbers marked in bold are available from the central warehouse in Germany, see the shopping basket for more detailed information

Pneumatics catalog, online PDF, as of 2016-01-14, ©AVENTICS S.à r.l., subject to change

Piston rod cylinder ▶ Round cylinders

Series RPC
Accessories

Socket, M8x1, Series CN2
▶ Socket, M8x1, 3-pin, angled



16406

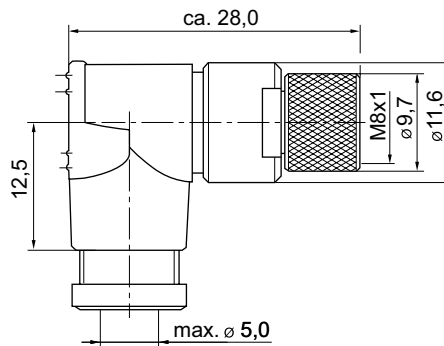
Ambient temperature min./max.	-13°F / +185°F
Protection class	IP65
Materials:	
Housing	Polyamide

Technical Remarks	
■ The specified protection class is only valid in assembled and tested state.	

	Operational voltage		Max. current [A]	Contact assign- ment	Cable exit	suitable cable-Ø min./max [inch]	Part No.
	AC	DC					
	[V]	[V]					
	48	48	4	3	angled 90°	0.14 / 0.19	1834484174

Part No.	number of plug options 1	Housing color	Weight
			[lbs]
1834484174	1 position	Black	0.0176

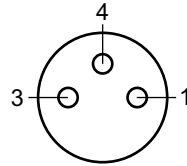
Dimensions



15832

Series RPC
Accessories

Pin assignment



Buchse_3-polig

Piston rod cylinder ▶ Round cylinders

Series RPC
Accessories

Silencers, Series SI1
▶ Sintered bronze



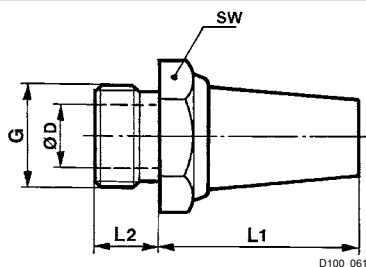
P100_060

Working pressure min./max. 0 psi / 145 psi
 Ambient temperature min./max. -13°F / +176°F
 Medium Compressed air

Materials:
 Silencers Sintered bronze
 Thread Brass

Compressed air connection	Sound pressure level [dB]	Qn [Cv]	Delivery quantity [Piece]	Weight [lbs]	Part No.
G 1/8	75	1.5	10	0.022	1827000000
G 1/4	79	2.9	10	0.044	1827000001
G 3/8	84	5.9	5	0.1102	1827000002

Dimensions



Part No.	Port G	SW	Ø D	L1	L2						
1827000000	G 1/8	13	6	18	6						
1827000001	G 1/4	17	8.5	25	8						
1827000002	G 3/8	22	12	34	10						

Sound pressure level measured at 6 bar at 1 m distance

All dimensions in mm, unless specified otherwise.

Part numbers marked in bold are available from the central warehouse in Germany, see the shopping basket for more detailed information

Pneumatics catalog, online PDF, as of 2016-01-14, ©AVENTICS S.à r.l., subject to change

Series RPC

Accessories

Silencers, Series SI1

▶ Sintered bronze



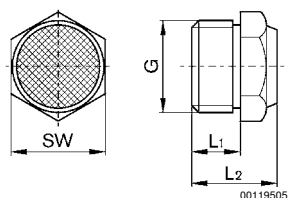
P100_037

Working pressure min./max. 0 psi / 145 psi
 Ambient temperature min./max. -13°F / +176°F
 Medium Compressed air

Materials:
 Silencers Sintered bronze
 Thread Brass

Compressed air connection	Sound pressure level	Qn	Delivery quantity	Weight	Part No.
	[dB]	[Cv]	[Piece]	[lbs]	
G 1/8	85	0.64	10	0.0022	1827000031
G 1/4	88	0.9	10	0.022	1827000033
G 3/8	90	1.75	5	0.0352	1827000034

Dimensions



Part No.	Port G	L1	L2	SW								
1827000031	G 1/8	6	11.5	13								
1827000033	G 1/4	8	13.5	17								
1827000034	G 3/8	10	17.5	22								

Sound pressure level measured at 6 bar at 1 m distance



AVENTICS Corporation
1953 Mercer Road
Lexington, KY 40511
Phone 859.254.8031
Fax 800.489.1488
www.aventics.com/us
info.us@aventics.com

AVENTICS Incorporated
5515 North Service Rd
Suite #104
Burlington ON L7L 6G4
Phone 905.332.0399
Fax 905.332.8596
www.aventics.com/ca
info.ca@aventics.com

Find more contact information at
www.aventics.com/contact

Only use the AVENTICS products shown in industrial applications. Read the product documentation completely and carefully before using the product. Observe the applicable regulations and laws of the respective country. When integrating the product into applications, note the system manufacturer's specifications for safe use of the product. The data specified only serve to describe the product. No statements concerning a certain condition or suitability for a certain application can be derived from our information. The information given does not release the user from the obligation of own judgment and verification. It must be remembered that the products are subject to a natural process of wear and aging.

14-01-2016