

Series QR2-F Heat-resistant



AVENTICS™ Series QR2-F Heat-resistant



Series QR2-F-RPN Heat-resistant

- Straight fitting
- External thread
- M5 G 1/8 G 1/4 G 3/8 G 1/2
- push-in fitting
- Ø 4 Ø 6 Ø 8 Ø 10 Ø 12
- QR2-F-RPN



Working pressure min./max.	-0.95 ... 16 bar
Ambient temperature min./max.	-20 ... 150 °C
Weight per piece	See table below

Technical data

Part No.	Port G	Port D	Delivery unit	Weight per piece
1823373089	M5	Ø 4	25 piece	0.006 kg
1823373090	M5	Ø 6	25 piece	0.01 kg
1823373091	G 1/8	Ø 4	25 piece	0.005 kg
1823373092	G 1/8	Ø 6	25 piece	0.011 kg
1823373093	G 1/8	Ø 8	25 piece	0.012 kg
1823373094	G 1/4	Ø 4	25 piece	0.012 kg
1823373095	G 1/4	Ø 6	25 piece	0.015 kg
1823373096	G 1/4	Ø 8	10 piece	0.016 kg
1823373097	G 1/4	Ø 10	10 piece	0.026 kg
R412007625	G 1/4	Ø 12	10 piece	0.027 kg
1823373098	G 3/8	Ø 8	10 piece	0.021 kg
1823373099	G 3/8	Ø 10	10 piece	0.028 kg
R412007730	G 1/2	Ø 12	10 piece	0.041 kg

Technical information

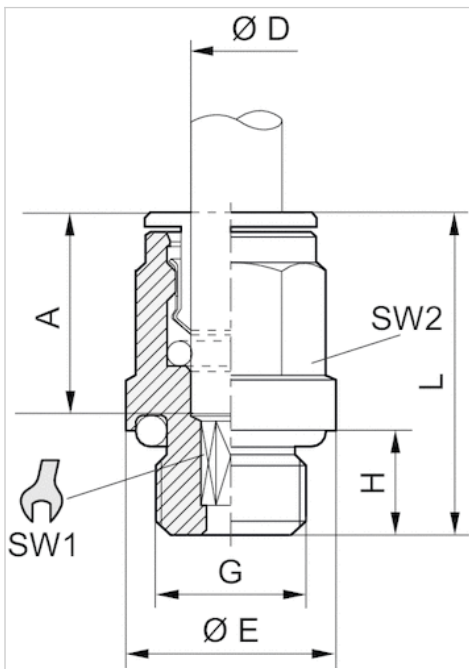
The series QR1 (plastic) and QR2 (metal) can not be combined
Thread seal with captive O-ring

For further information about assembling and tolerances of adaptable tubing can be found in the "Technical information" document (available in the MediaCentre).

Technical information

Material	
Housing	Brass, nickel-plated
Seal	Fluorocaoutchouc
Tooth lock washer	Stainless steel
Release ring	Brass, nickel-plated
Thread	Brass, nickel-plated

Dimensions



Dimensions

Part No.	Port D	Port G	Ø E	H	L	A Insertion depth	SW1	SW2
1823373089	Ø 4	M5	9	4	20.5	15	2.5	–
1823373090	Ø 6	M5	10.5	4	22.5	16	2.5	–
1823373091	Ø 4	G 1/8	13.5	6	20	15	2.5	9
1823373092	Ø 6	G 1/8	13.5	6	24	16	4	11
1823373093	Ø 8	G 1/8	13	6	26.5	18	5	13
1823373094	Ø 4	G 1/4	17	8	21	15	2.5	9
1823373095	Ø 6	G 1/4	17	6.5	22.5	15	4	11
1823373096	Ø 8	G 1/4	17	8	25	18	6	13
1823373097	Ø 10	G 1/4	16	8	29.5	19	7	16
R412007625	Ø 12	G 1/4	16	6.5	30	19	7	18
1823373098	Ø 8	G 3/8	20	9	25	18	6	13
1823373099	Ø 10	G 3/8	21	9	29.5	19	8	16
R412007730	Ø 12	G 1/2	24	11	31	20	10	18

Series QR2-F-RAI Heat-resistant

- Straight female stud fitting
- Internal thread
- G 1/8 G 1/4
- push-in fitting
- Ø 4 Ø 6 Ø 8
- QR2-F-RAI



Working pressure min./max.	-0.95 ... 16 bar
Ambient temperature min./max.	-20 ... 150 °C
Weight per piece	See table below

Technical data

Part No.	Port G	Port D	Delivery unit	Weight per piece
1823391857	G 1/8	Ø 4	10 piece	0.01 kg
1823391858	G 1/8	Ø 6	10 piece	0.011 kg
1823391859	G 1/8	Ø 8	10 piece	0.015 kg
1823391860	G 1/4	Ø 6	10 piece	0.018 kg
1823391861	G 1/4	Ø 8	10 piece	0.02 kg

Technical information

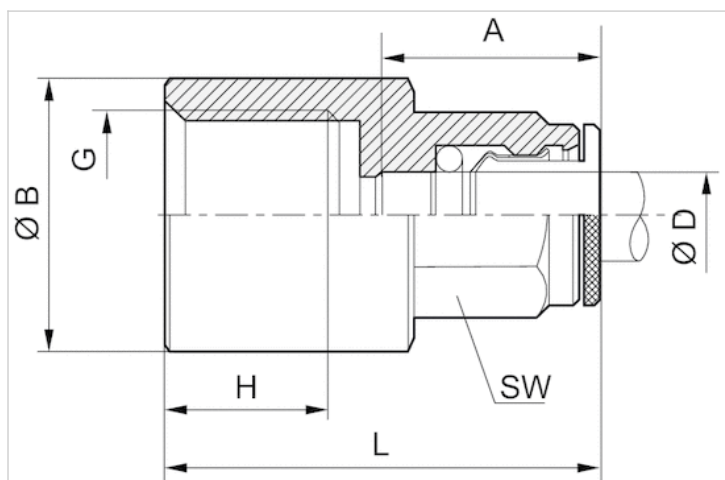
The series QR1 (plastic) and QR2 (metal) can not be combined

For further information about assembling and tolerances of adaptable tubing can be found in the "Technical information" document (available in the MediaCentre).

Technical information

Material	
Housing	Brass, nickel-plated
Seal	Fluorocaoutchouc
Tooth lock washer	Stainless steel
Release ring	Brass, nickel-plated
Thread	Brass, nickel-plated

Dimensions



Dimensions

Part No.	Port D	Port G	Ø B	H	L	A Insertion depth	SW
1823391857	Ø 4	G 1/8	11	6	26.5	15	9
1823391858	Ø 6	G 1/8	11	6	27	16	11
1823391859	Ø 8	G 1/8	11	6	28	18	13
1823391860	Ø 6	G 1/4	16	10	31	16	11
1823391861	Ø 8	G 1/4	16	10	32	18	13

Series QR2-F-RVT Heat-resistant

- Elbow fitting, rotatable
- External thread
- M5 G 1/8 G 1/4 G 3/8 G 1/2
- push-in fitting
- Ø 4 Ø 6 Ø 8 Ø 10 Ø 12
- QR2-F-RVT



Working pressure min./max.	-0.95 ... 16 bar
Ambient temperature min./max.	-20 ... 150 °C
Weight per piece	See table below

Technical data

Part No.	Port G	Port D	Delivery unit	Weight per piece
1823391870	M5	Ø 4	10 piece	0.015 kg
R412007681	M5	Ø 6	10 piece	0.012 kg
1823391871	G 1/8	Ø 4	10 piece	0.018 kg
1823391872	G 1/8	Ø 6	10 piece	0.02 kg
1823391873	G 1/8	Ø 8	10 piece	0.022 kg
1823391874	G 1/4	Ø 6	10 piece	0.025 kg
1823391875	G 1/4	Ø 8	10 piece	0.027 kg
1823391876	G 1/4	Ø 10	10 piece	0.031 kg
R412007624	G 1/4	Ø 12	5 piece	0.058 kg
1823391877	G 3/8	Ø 8	5 piece	0.042 kg
1823391878	G 3/8	Ø 10	5 piece	0.042 kg
R412007623	G 3/8	Ø 12	5 piece	0.059 kg
R412007731	G 1/2	Ø 12	5 piece	0.07 kg

Technical information

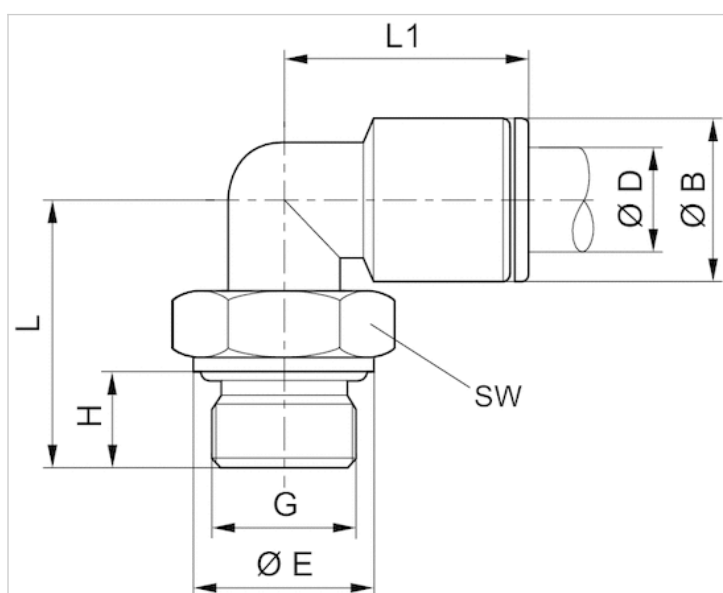
The series QR1 (plastic) and QR2 (metal) can not be combined
Thread seal with captive O-ring

For further information about assembling and tolerances of adaptable tubing can be found in the "Technical information" document (available in the MediaCentre).

Technical information

Material	
Housing	Brass, nickel-plated
Seal	Fluorocaoutchouc
Tooth lock washer	Stainless steel
Release ring	Brass, nickel-plated
Thread	Brass, nickel-plated

Dimensions



Dimensions

Part No.	Port D	Port G	Ø B	Ø E	H	L	L1	A Insertion depth	SW
1823391870	Ø 4	M5	9	8	4	15.1	18.2	14	9
R412007681	Ø 6	M5	11	8	4	14.5	21	16	9
1823391871	Ø 4	G 1/8	9	13	6	20	19	15	13
1823391872	Ø 6	G 1/8	11	13	6	20	21	16	13
1823391873	Ø 8	G 1/8	13	13	6	20	23	16	13
1823391874	Ø 6	G 1/4	11	16	8	24	21	18	13
1823391875	Ø 8	G 1/4	13	16	8	24	24	18	13
1823391876	Ø 10	G 1/4	15	16	8	24	27	19	16
R412007624	Ø 12	G 1/4	17	16	8	28.5	28	20	16
1823391877	Ø 8	G 3/8	13	20	9	25.5	24	18	13
1823391878	Ø 10	G 3/8	15	20	9	28	27	19	16
R412007623	Ø 12	G 3/8	17	20	9	28.5	28	20	20
R412007731	Ø 12	G 1/2	17	25	11	33.5	28	20	20

Series QR2-F-RW1 Heat-resistant

- 1x banjo union
- Internal thread
- M5 G 1/8 G 1/4
- push-in fitting
- Ø 4 Ø 6 Ø 8 Ø 10
- QR2-F-RW1



Working pressure min./max.	-0.95 ... 16 bar
Ambient temperature min./max.	-20 ... 150 °C
Weight per piece	See table below

Technical data

Part No.	Port G	Port D	Delivery unit	Weight per piece
1823391862	M5	Ø 4	10 piece	0.007 kg
1823391863	G 1/8	Ø 4	10 piece	0.01 kg
1823391864	G 1/8	Ø 6	10 piece	0.013 kg
1823391865	G 1/8	Ø 8	10 piece	0.018 kg
1823391866	G 1/4	Ø 6	10 piece	0.018 kg
1823391867	G 1/4	Ø 8	10 piece	0.021 kg
1823391868	G 1/4	Ø 10	5 piece	0.025 kg

Technical information

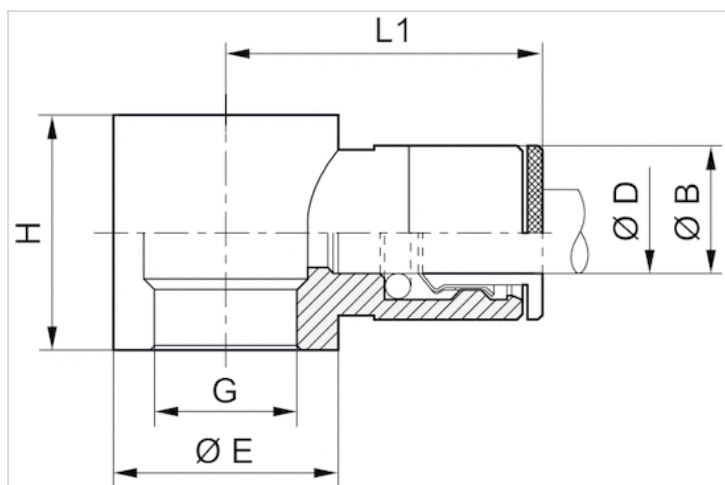
The series QR1 (plastic) and QR2 (metal) can not be combined

For further information about assembling and tolerances of adaptable tubing can be found in the "Technical information" document (available in the MediaCentre).

Technical information

Material	
Housing	Brass, nickel-plated
Seal	Fluorocaoutchouc
Tooth lock washer	Stainless steel
Release ring	Brass, nickel-plated

Dimensions



Dimensions

Part No.	Port D	Port G	Ø B	Ø E	H	L1
1823391862	Ø 4	M5	9	7	9	18.5
1823391863	Ø 4	G 1/8	9	14	15	21
1823391864	Ø 6	G 1/8	11	14	15	23
1823391865	Ø 8	G 1/8	13	14	15	24.5
1823391866	Ø 6	G 1/4	11	18	17	24
1823391867	Ø 8	G 1/4	13	18	17	26
1823391868	Ø 10	G 1/4	15	18	17	27

Series QR2-F-RSM Heat-resistant

- Bulkhead push-in fitting, metal
- push-in fitting
- Ø 6 Ø 8 Ø 10 Ø 12
- push-in fitting
- Ø 6 Ø 8 Ø 10 Ø 12
- QR2-F-RSM



Working pressure min./max. -0.95 ... 16 bar
Ambient temperature min./max. -20 ... 150 °C

Technical data

Part No.	Port G	Port D	Delivery unit
R412007629	Ø 6	Ø 6	10 piece
R412007628	Ø 8	Ø 8	10 piece
R412007627	Ø 10	Ø 10	10 piece
R412007626	Ø 12	Ø 12	5 piece

Technical information

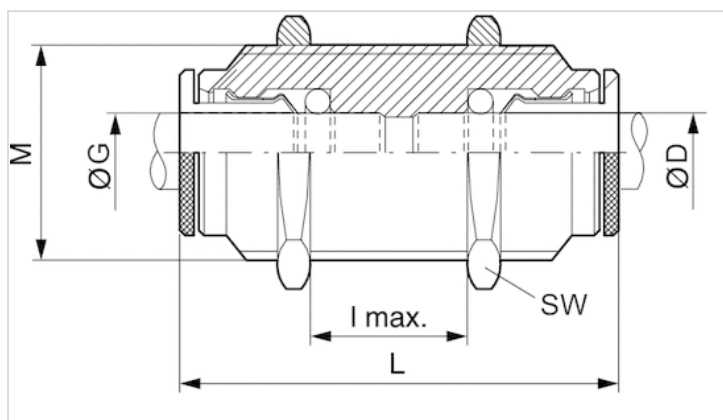
The series QR1 (plastic) and QR2 (metal) can not be combined

For further information about assembling and tolerances of adaptable tubing can be found in the "Technical information" document (available in the MediaCentre).

Technical information

Material	
Housing	Brass, nickel-plated
Seal	Fluorocaoutchouc
Tooth lock washer	Stainless steel
Release ring	Brass, nickel-plated
Thread	Brass, nickel-plated

Dimensions



Dimensions

Part No.	Port D	Port G	M	l max.	L	SW
R412007629	Ø 6	Ø 6	M14x1	8	33.5	17
R412007628	Ø 8	Ø 8	M16x1	10	37	18
R412007627	Ø 10	Ø 10	M17x1	12	39.5	20
R412007626	Ø 12	Ø 12	M20x1	17	42	24

Series QR2-F-RSK Heat-resistant

- Straight plug connector
- push-in fitting
- Ø 4 Ø 6 Ø 8 Ø 10
- push-in fitting
- Ø 4 Ø 6 Ø 8 Ø 10
- QR2-F-RSK



Working pressure min./max.	-0.95 ... 16 bar
Ambient temperature min./max.	-20 ... 150 °C
Weight per piece	See table below

Technical data

Part No.	Port G	Port D	Delivery unit	Weight per piece
1823386100	Ø 4	Ø 4	10 piece	0.012 kg
1823386101	Ø 6	Ø 6	10 piece	0.016 kg
1823386102	Ø 8	Ø 8	10 piece	0.023 kg
1823386103	Ø 10	Ø 10	10 piece	0.043 kg

Technical information

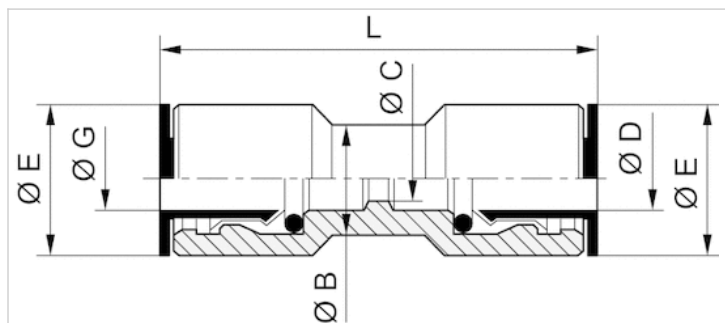
The series QR1 (plastic) and QR2 (metal) can not be combined

For further information about assembling and tolerances of adaptable tubing can be found in the "Technical information" document (available in the MediaCentre).

Technical information

Material	
Housing	Brass, nickel-plated
Seal	Fluorocaoutchouc
Tooth lock washer	Stainless steel
Release ring	Brass, nickel-plated

Dimensions



Dimensions

Part No.	Port D	Port G	Ø B	Ø C	Ø E	L
1823386100	Ø 4	Ø 4	7	3	9	30
1823386101	Ø 6	Ø 6	10	5	11	31.5
1823386102	Ø 8	Ø 8	12	7	13	36
1823386103	Ø 10	Ø 10	13	9	15	37

Series QR2-F-RVK Heat-resistant

- Angled plug connector
- push-in fitting
- Ø 4 Ø 6 Ø 8 Ø 10
- push-in fitting
- Ø 4 Ø 6 Ø 8 Ø 10
- QR2-F-RVK



Working pressure min./max.	-0.95 ... 16 bar
Ambient temperature min./max.	-20 ... 150 °C
Weight per piece	See table below

Technical data

Part No.	Port G	Port D	Delivery unit	Weight per piece
1823380019	Ø 4	Ø 4	10 piece	0.01 kg
1823380020	Ø 6	Ø 6	10 piece	0.012 kg
1823380021	Ø 8	Ø 8	10 piece	0.021 kg
1823380022	Ø 10	Ø 10	10 piece	0.033 kg

Technical information

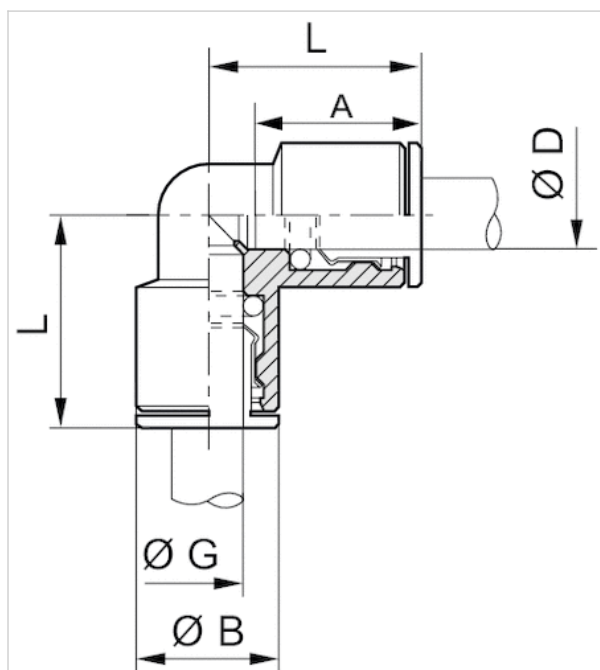
The series QR1 (plastic) and QR2 (metal) can not be combined

For further information about assembling and tolerances of adaptable tubing can be found in the "Technical information" document (available in the MediaCentre).

Technical information

Material	
Housing	Brass, nickel-plated
Seal	Fluorocaoutchouc
Tooth lock washer	Stainless steel
Release ring	Brass, nickel-plated

Dimensions



Dimensions

Part No.	Port D	Port G	Ø B	L	A Insertion depth
1823380019	Ø 4	Ø 4	9	17.5	14
1823380020	Ø 6	Ø 6	11	19.5	16
1823380021	Ø 8	Ø 8	13	23	18
1823380022	Ø 10	Ø 10	15	25	19

Series QR2-F-RTK Heat-resistant

- T-plug connector
- push-in fitting
- Ø 4 Ø 6 Ø 8 Ø 10 Ø 12
- push-in fitting
- Ø 4 Ø 6 Ø 8 Ø 10 Ø 12
- QR2-F-RTK



Working pressure min./max.	-0.95 ... 16 bar
Ambient temperature min./max.	-20 ... 150 °C
Weight per piece	See table below

Technical data

Part No.	Port G	Port D	Delivery unit	Weight per piece
1823381050	Ø 4	Ø 4	10 piece	0.013 kg
1823381051	Ø 6	Ø 6	10 piece	0.015 kg
1823381052	Ø 8	Ø 8	10 piece	0.023 kg
1823381053	Ø 10	Ø 10	10 piece	0.048 kg
R412007732	Ø 12	Ø 12	10 piece	0.051 kg

Technical information

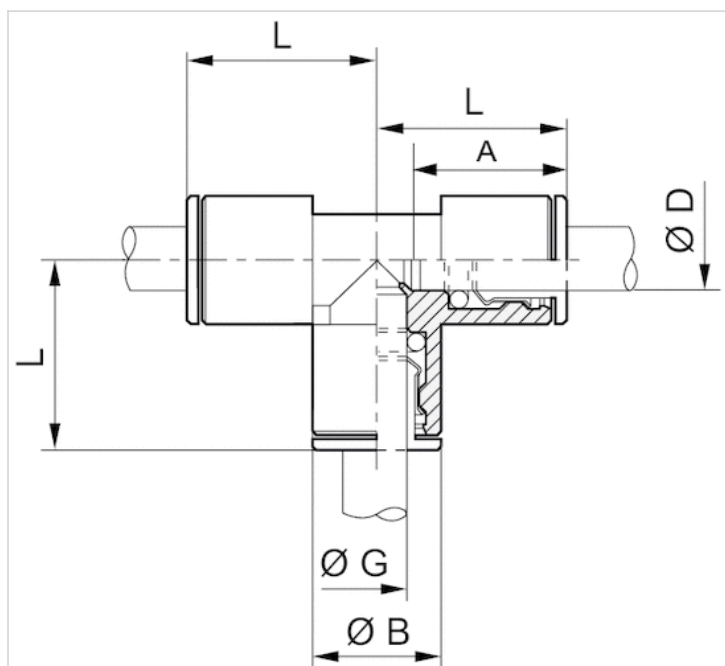
The series QR1 (plastic) and QR2 (metal) can not be combined

For further information about assembling and tolerances of adaptable tubing can be found in the "Technical information" document (available in the MediaCentre).

Technical information

Material	
Housing	Brass, nickel-plated
Seal	Fluorocaoutchouc
Tooth lock washer	Stainless steel
Release ring	Brass, nickel-plated

Dimensions



Dimensions

Part No.	Port D	Port G	$\varnothing B$	L	A Insertion depth
1823381050	$\varnothing 4$	$\varnothing 4$	9	17.5	15
1823381051	$\varnothing 6$	$\varnothing 6$	11	19.5	16
1823381052	$\varnothing 8$	$\varnothing 8$	13	23	18
1823381053	$\varnothing 10$	$\varnothing 10$	15	25	19
R412007732	$\varnothing 12$	$\varnothing 12$	17	27	20

Series QR2-F-RED Heat-resistant

- Straight push-in fitting, reducing
- push-in fitting
- Ø 6
- pin bushing
- Ø 8 Ø 10
- QR2-F-RED



Working pressure min./max.	-0.95 ... 16 bar
Ambient temperature min./max.	-20 ... 150 °C
Weight per piece	See table below

Technical data

Part No.	Port G	Port D	Delivery unit	Weight per piece
R412007682	Ø 6	Ø 8	10 piece	0.01 kg
R412007683	Ø 6	Ø 10	10 piece	0.016 kg

Technical information

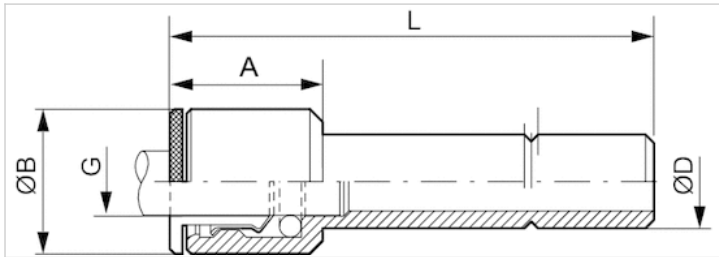
The series QR1 (plastic) and QR2 (metal) can not be combined

For further information about assembling and tolerances of adaptable tubing can be found in the "Technical information" document (available in the MediaCentre).

Technical information

Material	
Housing	Brass, nickel-plated
Seal	Fluorocaoutchouc
Tooth lock washer	Stainless steel
Release ring	Brass, nickel-plated

Dimensions



Dimensions

Part No.	Port D	Port G	L	Ø B	A Insertion depth
R412007682	Ø 8	Ø 6	33.5	11	16
R412007683	Ø 10	Ø 6	36.5	11	16

Efficient pneumatic solutions, our program: cylinders and drives, valves and valve systems, air supply management



Visit us: Emerson.com/Aventics

Your local contact: Emerson.com/contactus



Emerson.com



[Facebook.com/EmersonAutomationSolutions](https://www.facebook.com/EmersonAutomationSolutions)



[LinkedIn.com/company/Emerson-Automation-Solutions](https://www.linkedin.com/company/Emerson-Automation-Solutions)



[Twitter.com/EMR_Automation](https://twitter.com/EMR_Automation)

An example configuration is depicted on the title page. The delivered product may thus vary from that in the illustration. Subject to change. This Document, as well as the data, specifications and other information set forth in it, are the exclusive property of AVENTICS GmbH. It may not be reproduced or given to third parties without its consent. Only use the AVENTICS products shown in industrial applications. Read the product documentation completely and carefully before using the product. Observe the applicable regulations and laws of the respective country. When integrating the product into applications, note the system manufacturer's specifications for safe use of the product. The data specified only serve to describe the product. No statements concerning a certain condition or suitability for a certain application can be derived from our information. The information given does not release the user from the obligation of own judgment and verification. It must be remembered that the products are subject to a natural process of wear and aging.

The Emerson logo is a trademark and service mark of Emerson Electric Co. Brand logotype are registered trademarks of one of the Emerson family of companies. All other marks are the property of their respective owners. © 2017 Emerson Electric Co. All rights reserved.
2019-03



CONSIDER IT SOLVED™