

## Preparation of compressed air ► Pressure gauge

### Pressure gauge, Series PG1-STD

► Front port ► Background color: White ► Scale color: Black / Red ► Viewing window: Polystyrene ► Units: bar / psi



00131413

Version	Bourdon tube pressure gauge
Standardization	EN 837-1
Main scale unit (outside)	bar
Secondary scale unit (inside)	psi
Ambient temperature min./max.	-40°C / +60°C
Medium	Compressed air
Pointer color	Black
Main scale color (outside)	Black
Secondary scale color (inside)	Red

Materials:	
Housing	Acrylonitrile butadiene styrene
Thread	Brass
Viewing window	Polystyrene

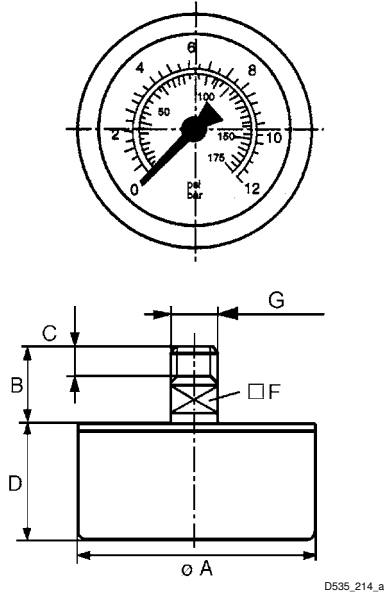
	Compressed air connection	Nominal diameter	Range of application	Display range	Operating pressure	Scale value	Class	Note	Part No.
		[mm]	[bar]	[bar]	[bar]				
	M5	26	0 - 8	0 - 10	0 / 10	1	1,6	1)	<b>1827231052</b>
	R 1/8	40	0 - 2	0 - 2.5	0 / 3	0.2	2,5	-	<b>3530200160</b>
	G 1/8	26	0 - 3.2	0 - 4	0 / 4	0.25	4	-	<b>8901701290</b>
	G 1/8	26	0 - 10	0 - 12	0 / 12	0.5	4	-	<b>8901701270</b>
	R 1/8	40	0 - 1.2	0 - 1.6	0 / 1.6	0.1	2,5	-	<b>3530200130</b>
	R 1/8	40	0 - 3.2	0 - 4	0 / 4	0.2	2,5	-	<b>3530200120</b>
	R 1/8	40	0 - 4	0 - 6	0 / 6	0.2	2,5	-	<b>3530200110</b>
	R 1/8	40	0 - 8	0 - 10	0 / 10	0.5	2,5	-	<b>3530200100</b>
	R 1/8	40	0 - 10	0 - 12	0 / 12	0.5	2,5	-	<b>3530200150</b>
	R 1/8	40	0 - 12	0 - 16	0 / 16	0.5	2,5	-	<b>3530200140</b>
	R 1/8	50	0 - 1.2	0 - 1.6	0 / 1.6	0.1	2,5	-	<b>3530190150</b>
	R 1/8	50	0 - 2.5	0 - 3	0 / 3	0.2	2,5	-	<b>3530190120</b>
	R 1/8	50	0 - 3.2	0 - 4	0 / 4	0.2	2,5	-	<b>3530190130</b>
	R 1/8	50	0 - 4	0 - 6	0 / 6	0.2	2,5	-	<b>3530190110</b>
	R 1/8	50	0 - 10	0 - 12	0 / 12	0.5	2,5	-	<b>3530190100</b>
	R 1/8	50	0 - 12	0 - 16	0 / 16	0.5	2,5	-	3530190140
	G 1/4	50	0 - 10	0 - 12	0 / 12	0.5	2,5	-	<b>8901702070</b>
	G 1/4	63	0 - 10	0 - 12	0 / 12	0.5	2,5	-	<b>8901702090</b>

1) Suitable for use in Ex zones 1, 2, 21, 22

### Pressure gauge, Series PG1-STD

▶ Front port ▶ Background color: White ▶ Scale color: Black / Red ▶ Viewing window: Polystyrene ▶ Units: bar / psi

#### Dimensions



D535\_214\_a

Compressed air connection G	Nominal diameter	Ø A	B	C	D	F						
M5	26	26	11.5	5	20	12						
R 1/8	40	40	19	10	26	14						
G 1/8	26	26	15.5	8	16.2	12						
R 1/8	50	50	19	10	27	14						
G 1/4	50	50	18	13	26.5	14						
G 1/4	63	63	21	13	26.5	14						