

Preparation of compressed air ▶ Pressure gauge

Pressure gauge, Series PG1-GLY

▶ Front port ▶ with glycerin filling ▶ Background color: White ▶ Scale color: Black / Black ▶ Viewing window: Polystyrene ▶ Units: bar / psi



00137138

Version	Bourdon tube pressure gauge
Standardization	EN 837-1
Main scale unit (outside)	bar
Secondary scale unit (inside)	psi
Ambient temperature min./max.	-25°C / +60°C
Medium	Compressed air
Pointer color	Black
Main scale color (outside)	Black
Secondary scale color (inside)	Black
Class	1,6

Materials:

Housing	Stainless steel
Thread	Brass
Viewing window	Polystyrene

	Compressed air connection	Nominal diameter	Range of application	Display range	Operating pressure	Scale value	Weight	Note	Part No.
		[mm]	[bar]	[bar]	[bar]		[kg]		
	R 1/8	63	0 - 3	0 - 4	0 / 4	0.2	0.26	-	R412010126
	R 1/8		0 - 4	0 - 6	0 / 6	0.2		-	R412010127
	R 1/8		0 - 8	0 - 10	0 / 10	0.5		-	R412010128
	R 1/8		0 - 12	0 - 16	0 / 16	0.5		-	R412010129
	R 1/8		0 - 12	0 - 16	0 / 16	0.5		1)	R412010130
	G 1/4		0 - 3	0 - 4	0 / 4	0.2		-	R412010131
	G 1/4		0 - 4	0 - 6	0 / 6	0.2		-	R412010132
	G 1/4		0 - 8	0 - 10	0 / 10	0.5		-	R412010133
G 1/4	0 - 12	0 - 16	0 / 16	0.5	-	R412010134			

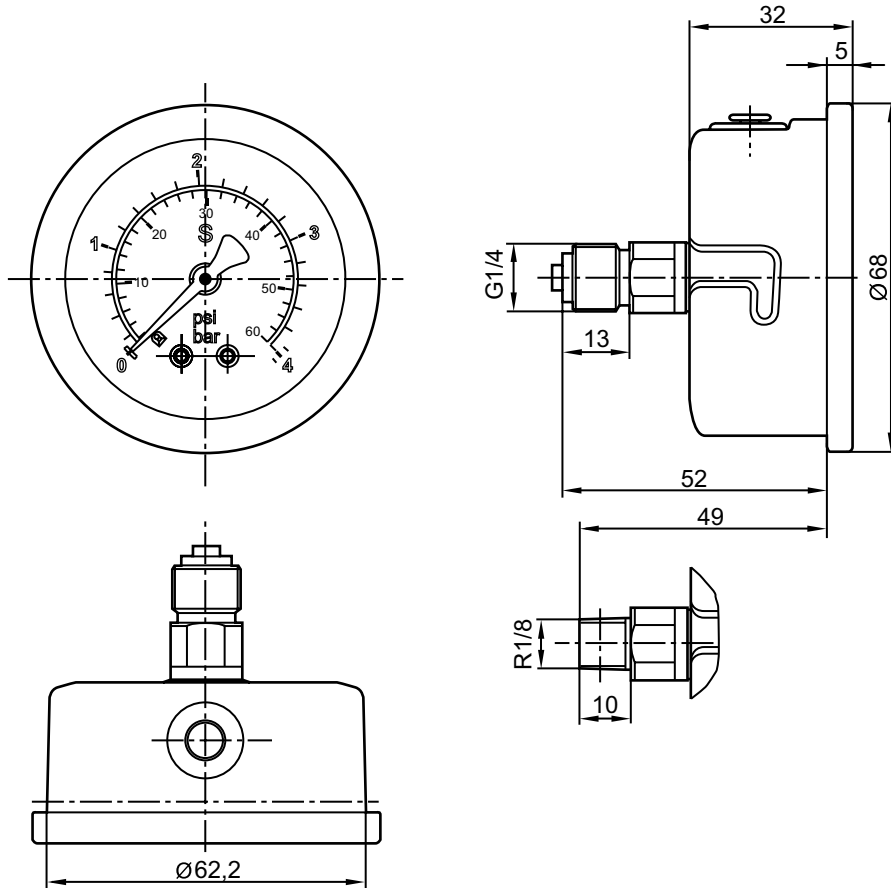
1) Red marking at 5 bar

Preparation of compressed air ▶ Pressure gauge

Pressure gauge, Series PG1-GLY

▶ Front port ▶ with glycerin filling ▶ Background color: White ▶ Scale color: Black / Black ▶ Viewing window: Polystyrene ▶ Units: bar / psi

Dimensions



00133999

Order retainer ring 3530132602 for control panel installation separately.