

# E/P pressure regulator, Series EV03

- Display: display
- Qn = 0.559 Cv
- Compressed air connection output G 1/4
- Electr. connection M12, 5-pin, A-coded
- Pilot valves
- With collective pilot air exhaust



Version	Poppet valve
Working pressure max	159 psi
Ambient temperature min./max.	14 ... 140 °F
Medium temperature min./max.	14 ... 140 °F
Compressed air connection input	G 1/4
Compressed air connection output	G 1/4
Compressed air connection, exhaust	G 1/8
Medium	Compressed air
Max. particle size	40 µm
Oil content of compressed air	0 ... 5 mg/m³
Nominal flow Qn	0.559 Cv
Control	Analog
DC operating voltage	24 V
Voltage tolerance DC	-20% / +30%
Permissible ripple	5%
Protection class	IP65
Weight	0.485 lbs

Nominal flow Qn with working pressure  
101.5 psi , with secondary pressure 87 psi  
and Δp = 2.9 psi

## Technical data

Part No.		Pressure setting range min./max.	Nominal input value		Actual output value	
			Min./max.		Min./max.	
R414008246		8 ... 87 psi	0 ... 10 V		0 ... 10 V	
R414008251		8 ... 87 psi	4 ... 20 mA		4 ... 20 mA	
R414008256		8 ... 145 psi	0 ... 10 V		0 ... 10 V	
R414008261		8 ... 145 psi	4 ... 20 mA		4 ... 20 mA	
R414008247		8 ... 87 psi	0 ... 10 V		0 ... 10 V	
R414008252		8 ... 87 psi	4 ... 20 mA		4 ... 20 mA	
R414008257		8 ... 145 psi	0 ... 10 V		0 ... 10 V	
R414008262		8 ... 145 psi	4 ... 20 mA		4 ... 20 mA	
R414008229		8 ... 145 psi	0 ... 10 V		0 ... 10 V	
R414008232		8 ... 145 psi	4 ... 20 mA		4 ... 20 mA	

Part No.	Control	Max. power consumption		Repetitive precision	Hysteresis	
		mA				
R414008246	Analog	220 mA		0.58 psi	0.725 psi	1)
R414008251	Analog	220 mA		0.58 psi	0.725 psi	1)
R414008256	Analog	220 mA		0.58 psi	0.725 psi	1)
R414008261	Analog	220 mA		0.58 psi	0.725 psi	1)

Part No.	Control	Max. power consumption	Repetitive precision	Hysteresis	
		mA			
R414008247	Analog	160 mA	0.58 psi	0.725 psi	2)
R414008252	Analog	160 mA	0.58 psi	0.725 psi	2)
R414008257	Analog	160 mA	0.58 psi	0.725 psi	2)
R414008262	Analog	160 mA	0.58 psi	0.725 psi	2)
R414008229	Analog	160 mA	2.61 psi	2.9 psi	2)
R414008232	Analog	160 mA	2.61 psi	2.9 psi	2)

- 1) Power outage: operating line exhaust
- 2) Power outage: maintain pressure

## Technical information

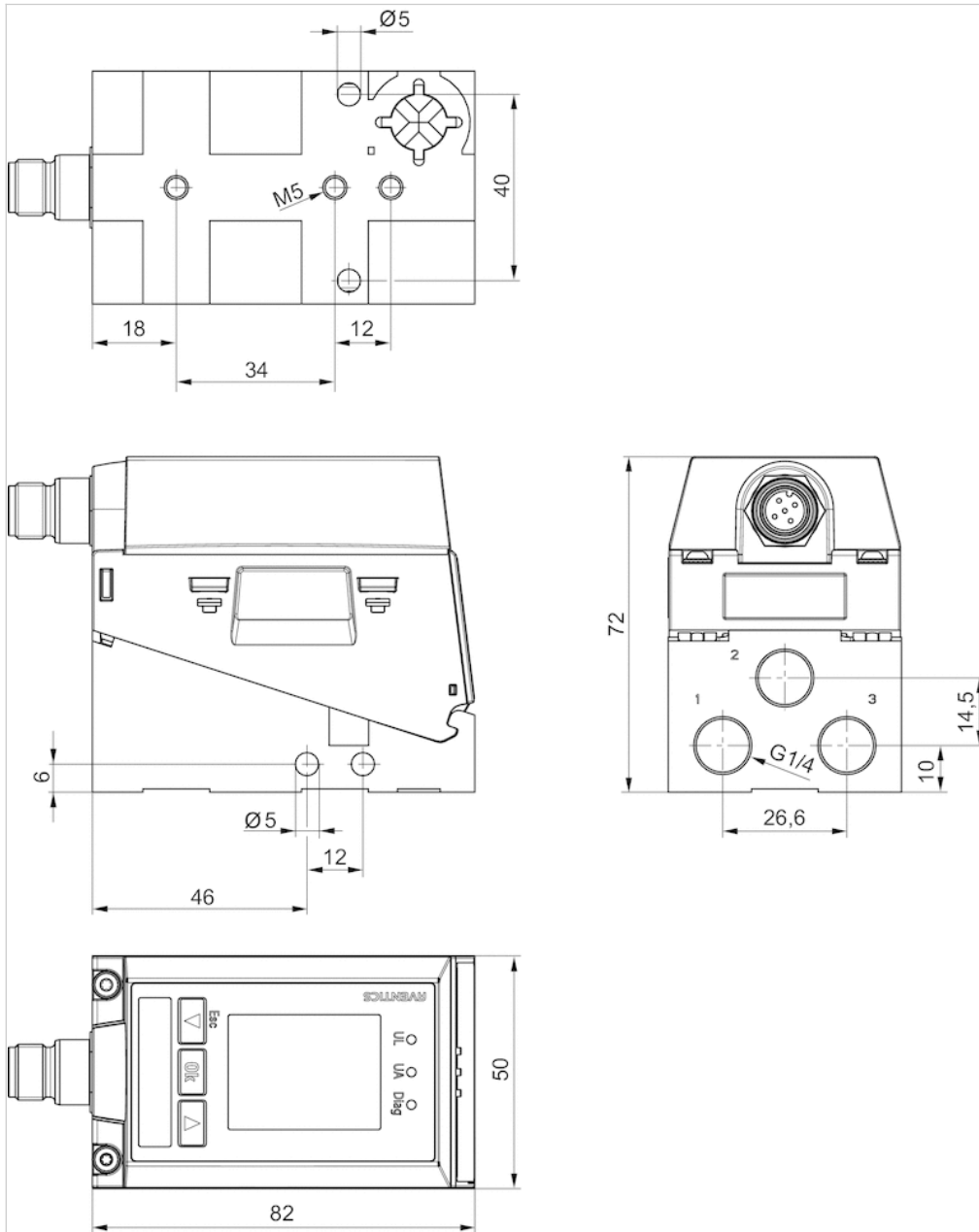
The min. control pressure must be adhered to, since otherwise faulty switching and valve failure may result!  
 The pressure dew point must be at least 27 °F under ambient and medium temperature and may not exceed 5.4 °F .  
 The oil content of compressed air must remain constant during the life cycle.  
 Use only the approved oils from AVENTICS. Further information can be found in the “Technical information” document (available in the MediaCentre).

## Technical information

Material	
Housing	Polyamide
Base plate	Aluminum
Seals	Nitrile butadiene rubber

## Dimensions

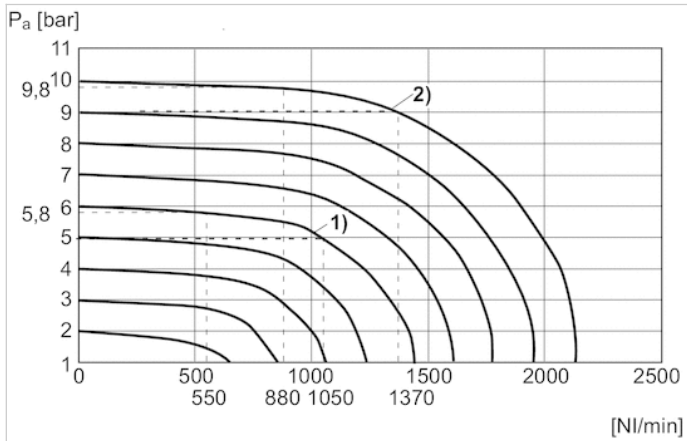
### Dimensions



Port for plug M12x1

## Diagrams

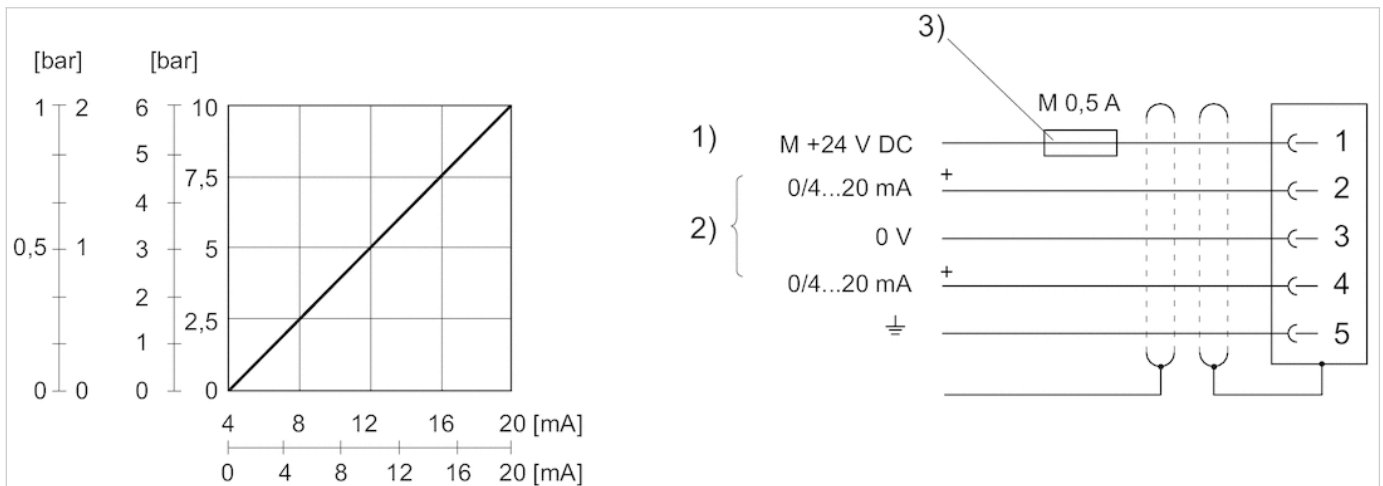
### Flow characteristic curve



- 1)  $P_v = 7 \text{ bar}$
- 2)  $P_v = 11 \text{ bar}$
- $P_v = \text{Supply pressure}$
- $P_a = \text{Working pressure}$
- $P_v = P_a + 1$

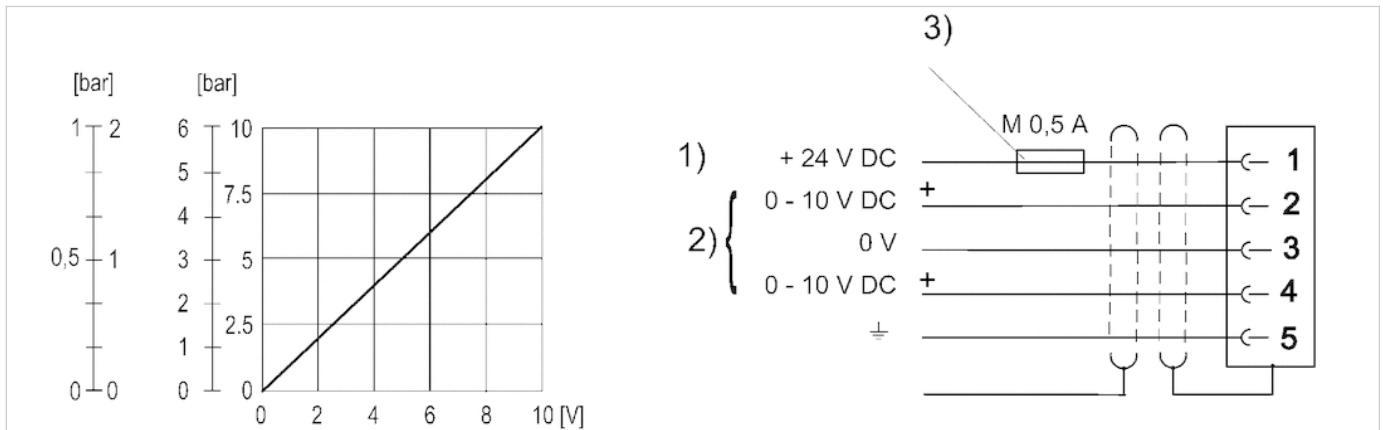
## Circuit diagram

### Characteristic and pin assignment for current control with actual output value



- 1) power supply
- 2) Actual value (pin 4) and nominal value (pin 2) are related to 0 V (pin 3).  
Nominal input value (ohmic load 100 Ω), actual output value: external ohmic load 300 Ω. If the power supply is switched off, the nominal input value is high-ohmic.
- 3) The power supply must be protected by an external M 0.5 A fuse.  
Connect the plug via a shielded cable to ensure EMC.

Characteristic and pin assignment for voltage control with actual output value



- 1) power supply
- 2) Actual value (pin 4) and nominal value (pin 2) are related to 0 V (pin 3).  
Nominal input value ( $R = 1 \text{ M}\Omega$ ), actual output value: min. load resistance  $> 10 \text{ K}\Omega$ . If the power supply is switched off, the nominal input value is high-ohmic.
- 3) The power supply must be protected by an external M 0.5 A fuse.  
Connect the plug via a shielded cable to ensure EMC.


















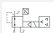

## E/P pressure regulator, Series EV03

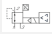
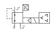
- Display: LED
- $Q_n = 0.559 \text{ Cv}$
- Compressed air connection output G 1/4
- Electr. connection M12, 5-pin, A-coded
- Pilot valves
- With collective pilot air exhaust



Version	Poppet valve
Working pressure max	159 psi
Ambient temperature min./max.	14 ... 140 °F
Medium temperature min./max.	14 ... 140 °F
Compressed air connection input	G 1/4
Compressed air connection output	G 1/4
Compressed air connection, exhaust	G 1/8
Medium	Compressed air
Max. particle size	40 µm
Oil content of compressed air	0 ... 5 mg/m <sup>3</sup>
Nominal flow $Q_n$	0.559 Cv
Control	Analog
DC operating voltage	24 V
Voltage tolerance DC	-20% / +30%
Permissible ripple	5%
Protection class	IP65
Weight	0.463 lbs

### Technical data

Part No.		Pressure setting range min./max.	Nominal input value		Actual output value	
			Min./max.		Min./max.	
R414008243		8 ... 87 psi	0 ... 10 V		0 ... 10 V	
R414008248		8 ... 87 psi	4 ... 20 mA		4 ... 20 mA	
R414008253		8 ... 145 psi	0 ... 10 V		0 ... 10 V	
R414008258		8 ... 145 psi	4 ... 20 mA		4 ... 20 mA	
R414008244		8 ... 87 psi	0 ... 10 V		0 ... 10 V	
R414008449		8 ... 87 psi	0 ... 20 mA		0 ... 20 mA	
R414008249		8 ... 87 psi	4 ... 20 mA		4 ... 20 mA	
R414008245		8 ... 87 psi	0 ... 10 V		-	
R414008250		8 ... 87 psi	4 ... 20 mA		-	
R414008451		8 ... 87 psi	0 ... 10 V		0 ... 10 V	
R414008453		8 ... 87 psi	0 ... 10 V		0 ... 20 mA	
R414008254		8 ... 145 psi	0 ... 10 V		0 ... 10 V	
R414008450		8 ... 87 psi	0 ... 20 mA		0 ... 20 mA	
R414008259		8 ... 145 psi	4 ... 20 mA		4 ... 20 mA	
R414008255		8 ... 145 psi	0 ... 10 V		-	
R414008260		8 ... 145 psi	4 ... 20 mA		-	
R414008452		8 ... 87 psi	0 ... 10 V		0 ... 10 V	
R414008227		8 ... 145 psi	0 ... 10 V		0 ... 10 V	
R414008230		8 ... 145 psi	4 ... 20 mA		4 ... 20 mA	

Part No.		Pressure setting range min./max.	Nominal input value	Actual output value
			Min./max.	Min./max.
R414008228		8 ... 145 psi	0 ... 10 V	0 ... 10 V
R414008231		8 ... 145 psi	4 ... 20 mA	4 ... 20 mA

Part No.	Control	Max. power consumption	Repetitive precision	Hysteresis	
		mA			
R414008243	Analog	180 mA	0.58 psi	0.725 psi	1)
R414008248	Analog	180 mA	0.58 psi	0.725 psi	1)
R414008253	Analog	180 mA	0.58 psi	0.725 psi	1)
R414008258	Analog	180 mA	0.58 psi	0.725 psi	1)
R414008244	Analog	120 mA	0.58 psi	0.725 psi	2)
R414008449	Analog	120 mA	0.58 psi	0.725 psi	2)
R414008249	Analog	120 mA	0.58 psi	0.725 psi	2)
R414008245	Analog	120 mA	0.58 psi	0.725 psi	3)
R414008250	Analog	120 mA	0.58 psi	0.725 psi	3)
R414008451	Analog	120 mA	0.58 psi	0.725 psi	4)
R414008453	Analog	120 mA	0.58 psi	0.725 psi	2)
R414008254	Analog	120 mA	0.58 psi	0.725 psi	2)
R414008450	Analog	120 mA	0.58 psi	0.725 psi	2)
R414008259	Analog	120 mA	0.58 psi	0.725 psi	2)
R414008255	Analog	120 mA	0.58 psi	0.725 psi	3)
R414008260	Analog	120 mA	0.58 psi	0.725 psi	3)
R414008452	Analog	120 mA	0.58 psi	0.725 psi	4)
R414008227	Analog	120 mA	2.61 psi	2.9 psi	2)
R414008230	Analog	120 mA	2.61 psi	2.9 psi	2)
R414008228	Analog	120 mA	2.61 psi	2.9 psi	3)
R414008231	Analog	180 mA	2.61 psi	2.9 psi	3)

Nominal flow Qn with working pressure 101.5 psi , with secondary pressure 87 psi and  $\Delta p = 2.9$  psi

- 1) Power outage: operating line exhaust
- 2) Power outage: maintain pressure
- 3) Power outage: maintain pressure, With switch output
- 4) Power outage: maintain pressure, Output 10V constant to supply a set point potentiometer.

## Technical information

The min. control pressure must be adhered to, since otherwise faulty switching and valve failure may result!

The pressure dew point must be at least 27 °F under ambient and medium temperature and may not exceed 5.4 °F .

The oil content of compressed air must remain constant during the life cycle.

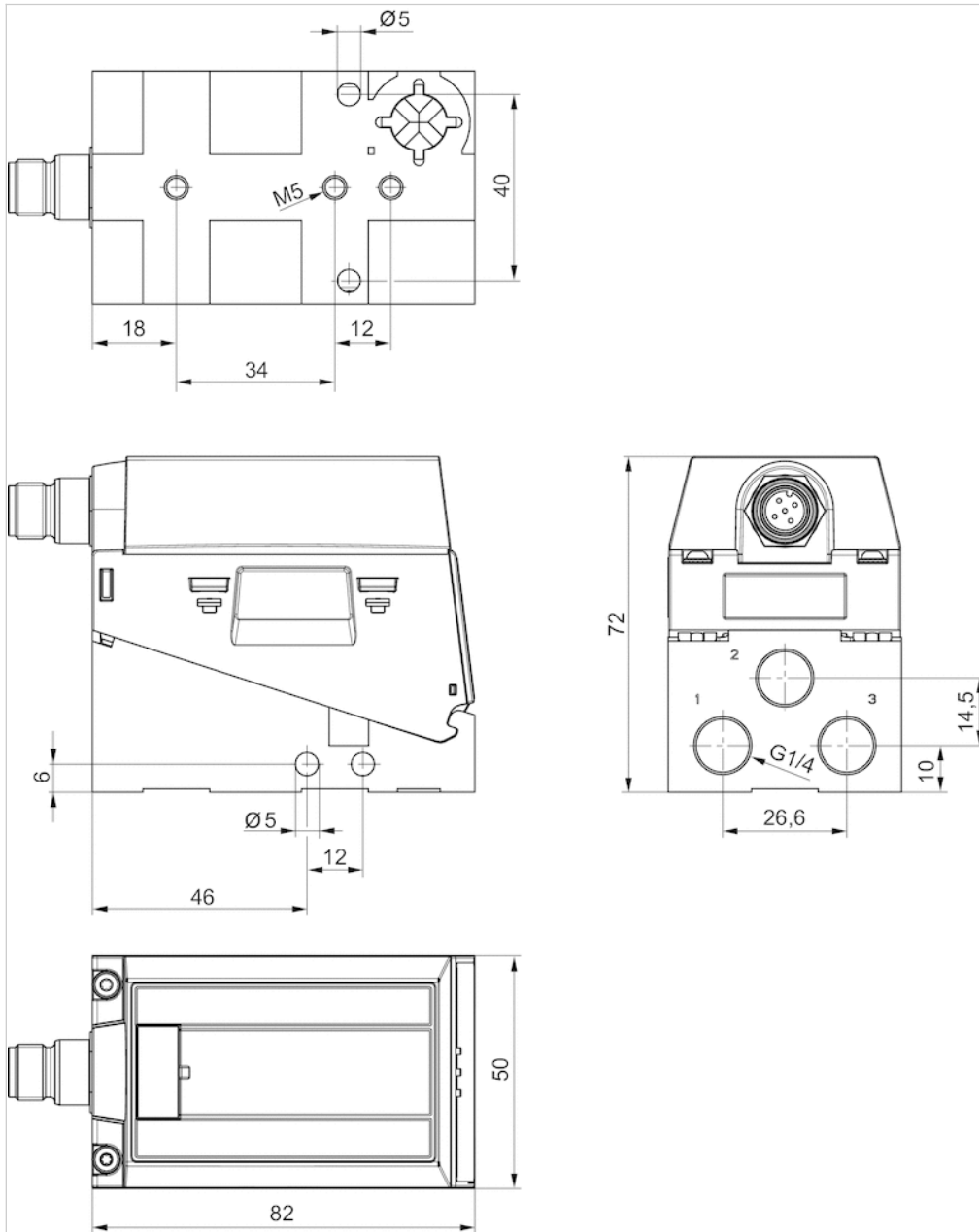
Use only the approved oils from AVENTICS. Further information can be found in the "Technical information" document (available in the MediaCentre).

## Technical information

Material	
Housing	Polyamide
Base plate	Aluminum
Seals	Nitrile butadiene rubber

## Dimensions

### Dimensions

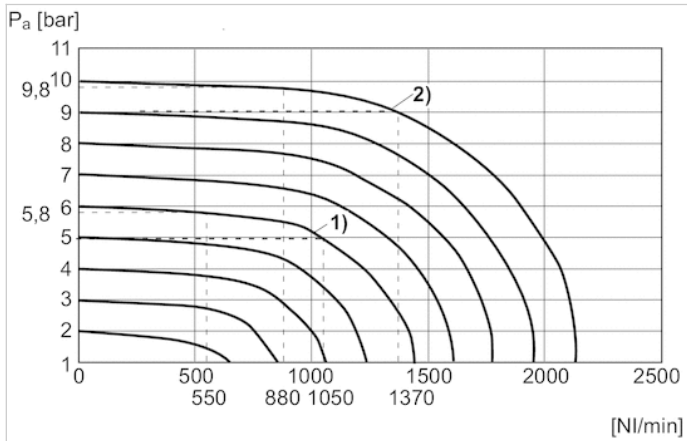


Port for plug M12x1



## Diagrams

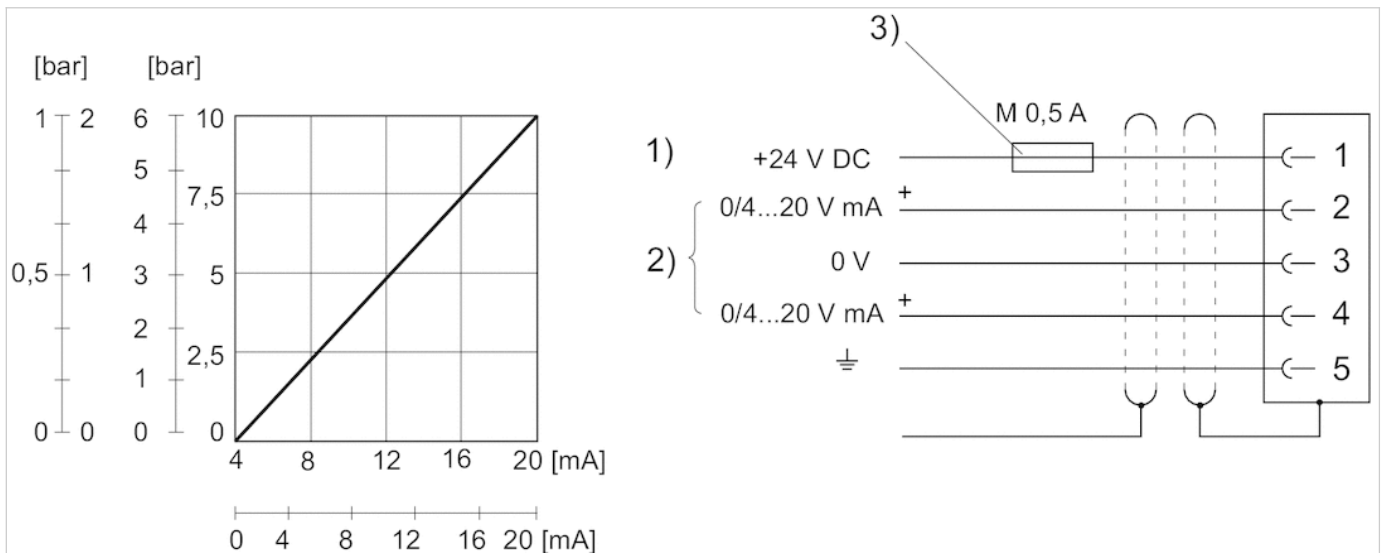
### Flow characteristic curve



- 1)  $P_v = 7 \text{ bar}$
- 2)  $P_v = 11 \text{ bar}$
- $P_v = \text{Supply pressure}$
- $P_a = \text{Working pressure}$
- $P_v = P_a + 1$

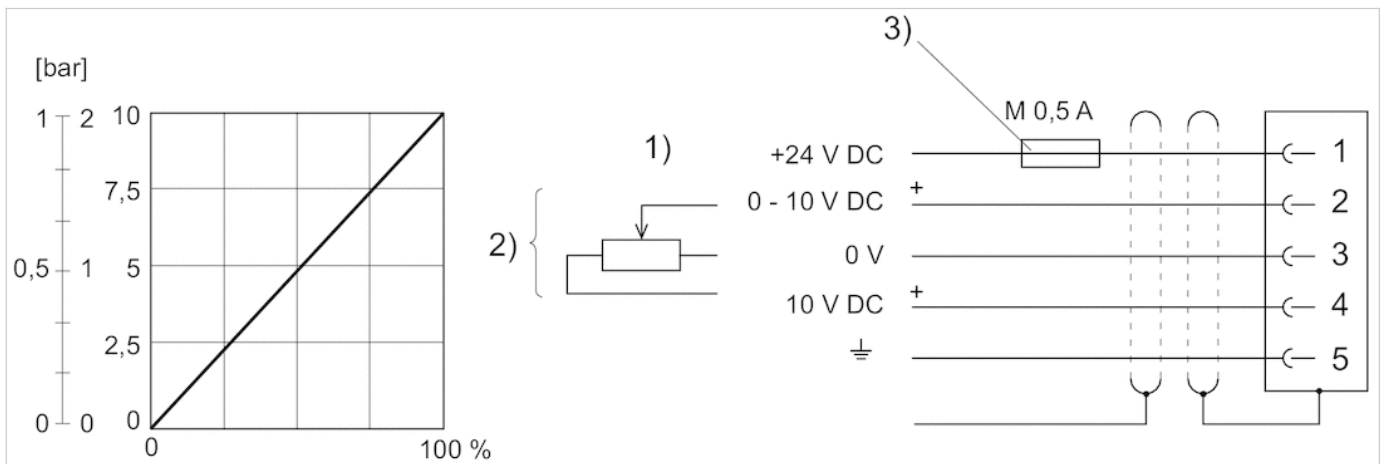
## Circuit diagram

### Characteristic and pin assignment for current control with actual output value



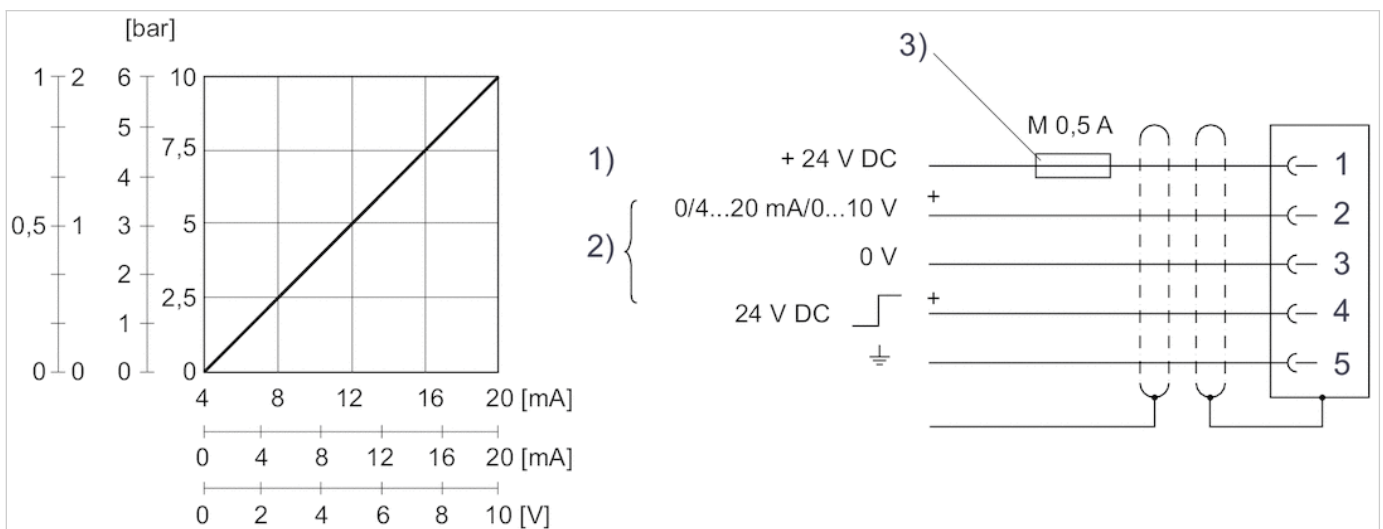
- 1) power supply
- 2) Actual value (pin 4) and nominal value (pin 2) are related to 0 V (pin 3).  
Nominal input value (ohmic load 100 Ω), actual output value: external ohmic load 300 Ω. If the power supply is switched off, the nominal input value is high-ohmic.
- 3) The power supply must be protected by an external M 0.5 A fuse.  
Connect the plug via a shielded cable to ensure EMC.

Characteristic and pin assignment for potentiometer control without actual output value



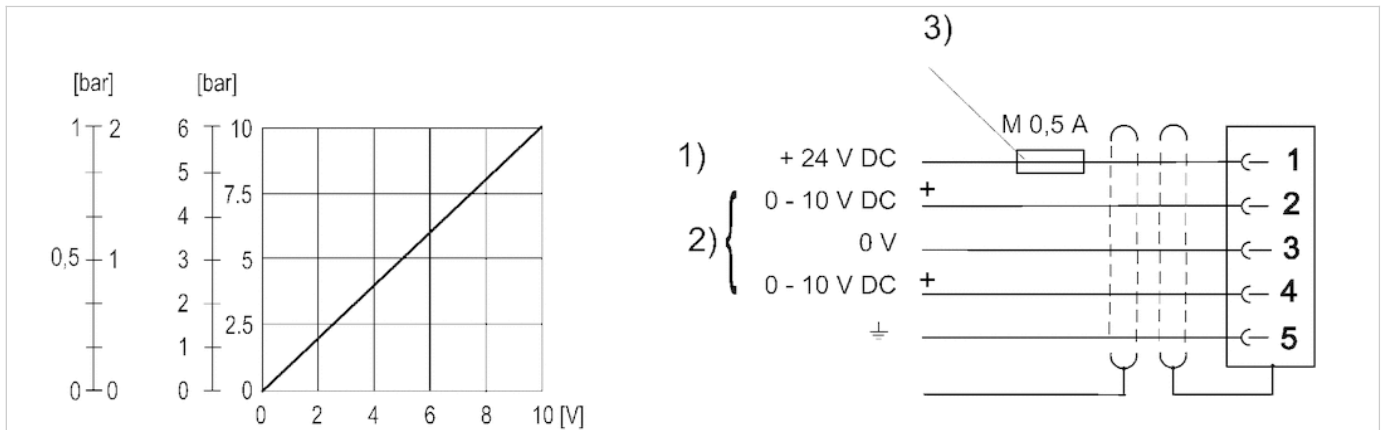
- 1) Supply voltage
- 2) Potentiometer supply (pin 4) and nominal value (pin 2) are related to 0 V. Potentiometer resistance min. 0-2 kΩ, max. 0-10 kΩ.
- 3) The operating voltage must be protected by an external M 0.5 A fuse. Connect the plug via a shielded cable to ensure EMC.

Characteristic and pin assignment for current and voltage control with actual output value



- 1) Operational voltage
- 2) Nominal value (pin 2) and switch output (pin 4) are related to 0 V. Acknowledge signal
- 3) The operating voltage must be protected by an external M 0.5 A fuse.

Characteristic and pin assignment for voltage control with actual output value



- 1) power supply
- 2) Actual value (pin 4) and nominal value (pin 2) are related to 0 V (pin 3).  
Nominal input value ( $R = 1 \text{ M}\Omega$ ), actual output value: min. load resistance  $> 10 \text{ K}\Omega$ . If the power supply is switched off, the nominal input value is high-ohmic.
- 3) The power supply must be protected by an external M 0.5 A fuse.  
Connect the plug via a shielded cable to ensure EMC.

# E/P pressure regulator, Series AV03-EP

- Display: display
- Qn = 0.559 Cv
- Electr. connection M12, 5-pin, A-coded
- With collective pilot air exhaust



Version	Poppet valve
Mounting orientation	Any
Working pressure max	159 psi
Ambient temperature min./max.	14 ... 140 °F
Medium temperature min./max.	14 ... 140 °F
Medium	Compressed air
Max. particle size	40 µm
Oil content of compressed air	0 ... 5 mg/m³
Nominal flow Qn	0.559 Cv
Control	Analog
DC operating voltage	24 V
Voltage tolerance DC	-20% / +30%
Protection class	IP65
Weight	0.485 lbs
Nominal flow Qn with working pressure 101.5 psi , with secondary pressure 87 psi and Δp = 2.9 psi	

## Technical data

Part No.		Pressure setting range min./max.	Nominal input value		Actual output value	
			Min./max.		Min./max.	
R414009027		8 ... 87 psi	0 ... 10 V		0 ... 10 V	
R414009032		8 ... 87 psi	4 ... 20 mA		4 ... 20 mA	
R414009037		8 ... 145 psi	0 ... 10 V		0 ... 10 V	
R414009042		8 ... 145 psi	4 ... 20 mA		4 ... 20 mA	
R414009028		8 ... 87 psi	0 ... 10 V		0 ... 10 V	
R414009033		8 ... 87 psi	4 ... 20 mA		4 ... 20 mA	
R414009038		8 ... 145 psi	0 ... 10 V		0 ... 10 V	
R414009043		8 ... 145 psi	4 ... 20 mA		4 ... 20 mA	
R414009020		8 ... 145 psi	0 ... 10 V		0 ... 10 V	
R414009023		8 ... 145 psi	4 ... 20 mA		4 ... 20 mA	

Part No.	Control	Max. power consumption		Repetitive precision	Hysteresis	
		mA				
R414009027	Analog	220 mA		0.58 psi	0.725 psi	1)
R414009032	Analog	220 mA		0.58 psi	0.725 psi	1)
R414009037	Analog	220 mA		0.58 psi	0.725 psi	1)
R414009042	Analog	220 mA		0.58 psi	0.725 psi	1)
R414009028	Analog	160 mA		0.58 psi	0.725 psi	2)
R414009033	Analog	160 mA		0.58 psi	0.725 psi	2)
R414009038	Analog	160 mA		0.58 psi	0.725 psi	2)
R414009043	Analog	160 mA		0.58 psi	0.725 psi	2)
R414009020	Analog	160 mA		2.61 psi	2.9 psi	2)

Part No.	Control	Max. power consumption	Repetitive precision	Hysteresis	
		mA			
R414009023	Analog	160 mA	2.61 psi	2.9 psi	2)

- 1) Power outage: operating line exhaust
- 2) Power outage: maintain pressure

### Technical information

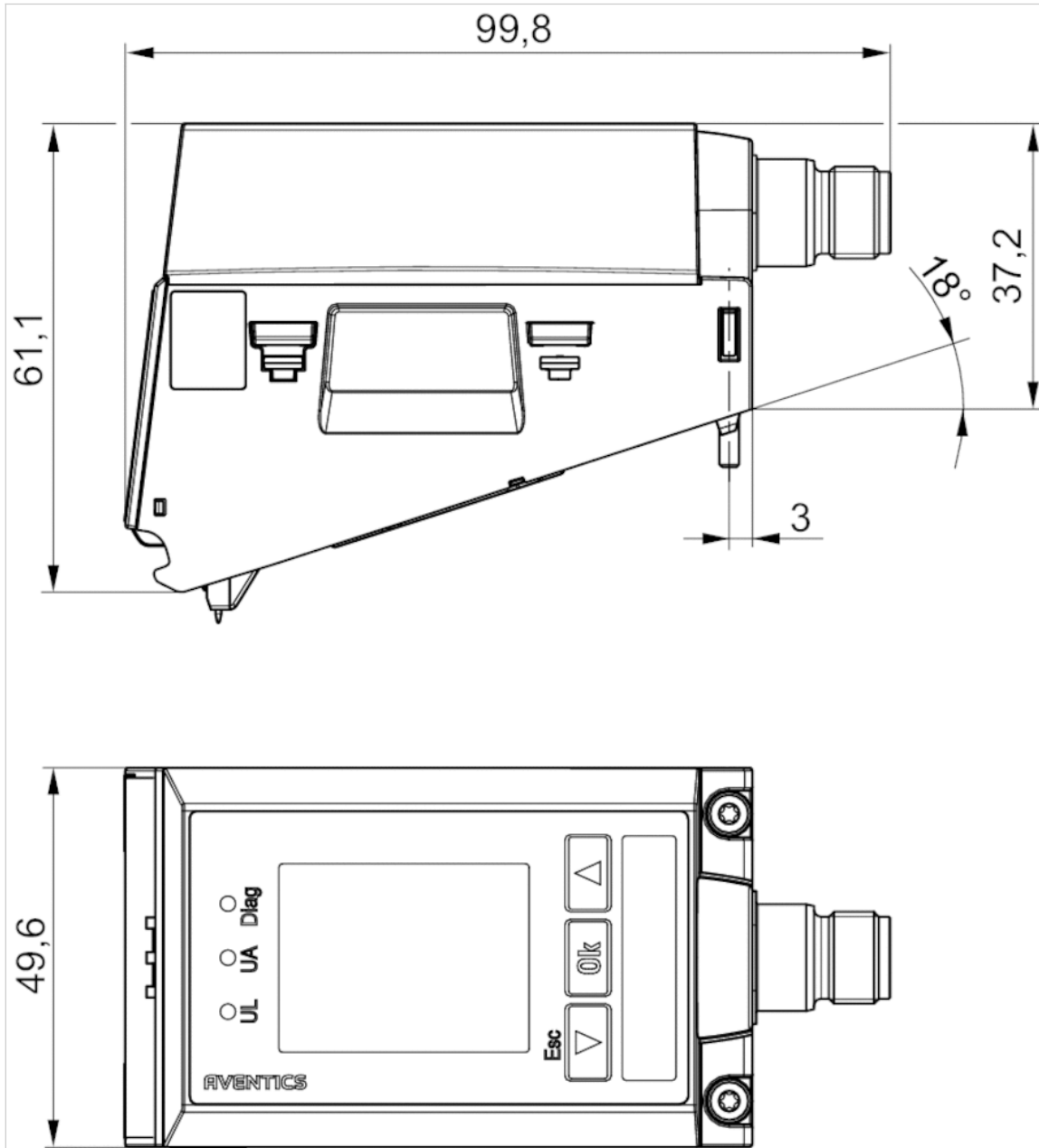
The min. control pressure must be adhered to, since otherwise faulty switching and valve failure may result!  
 The pressure dew point must be at least 27 °F under ambient and medium temperature and may not exceed 5.4 °F .  
 The oil content of compressed air must remain constant during the life cycle.  
 Use only the approved oils from AVENTICS. Further information can be found in the “Technical information” document (available in the MediaCentre).

### Technical information

Material	
Housing	Polyarylamide
Seals	Nitrile butadiene rubber

## Dimensions

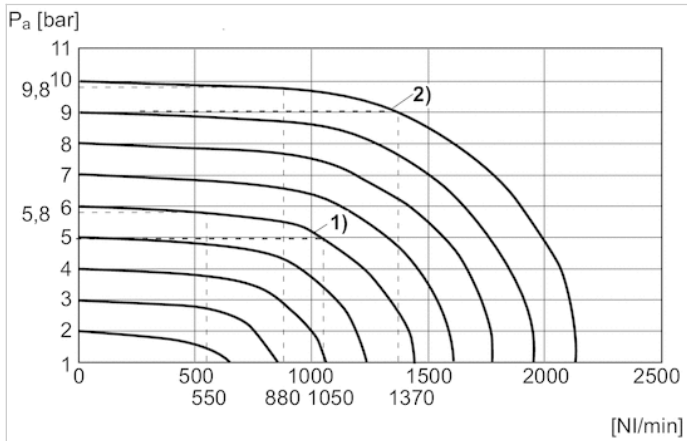
### Dimensions



Port for plug M12x1

## Diagrams

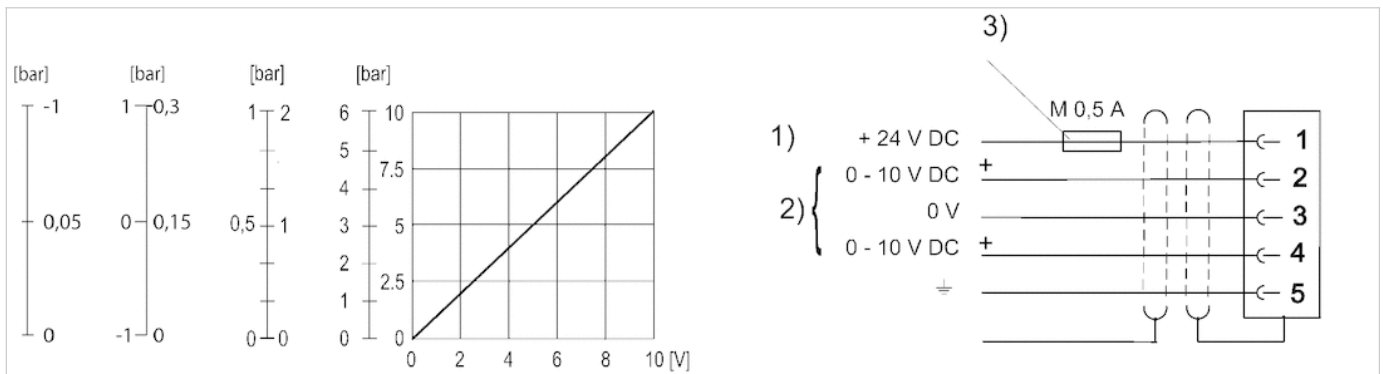
### Flow characteristic curve



- 1)  $P_v = 7 \text{ bar}$
- 2)  $P_v = 11 \text{ bar}$
- $P_v = \text{Supply pressure}$
- $P_a = \text{Working pressure}$
- $P_v = P_a + 1$

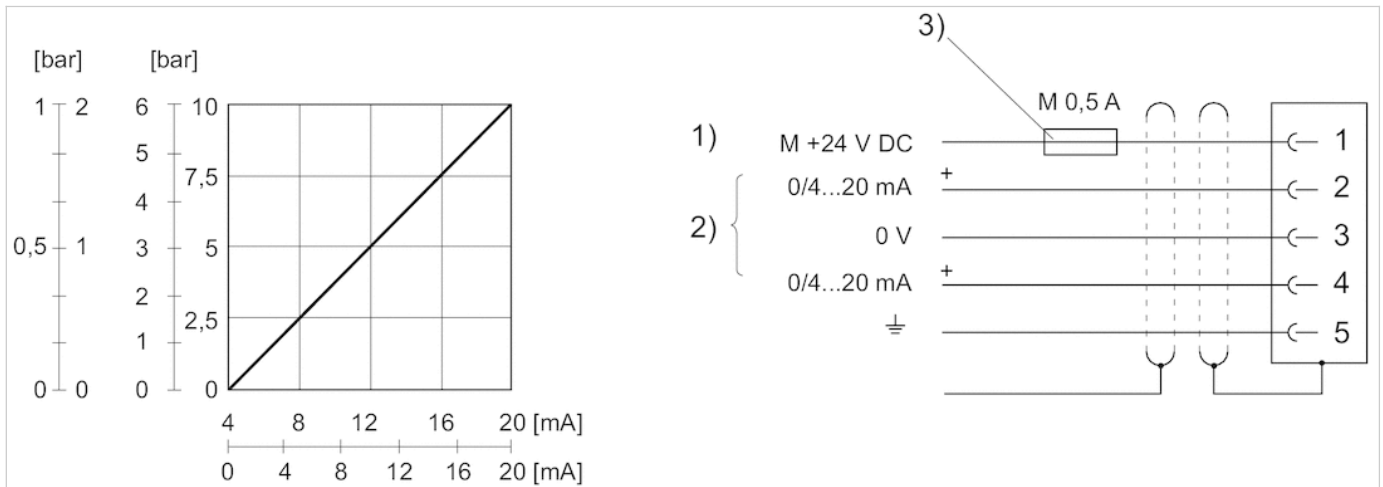
## Circuit diagram

Fig. 2 Characteristic and pin assignment for voltage control with actual output value



- 1) Supply voltage 2) Actual value (pin 4) and nominal value (pin 2) are related to 0 V.
- Min. load resistance of nominal value output = 1 kΩ.
- 3) The operating voltage must be protected by an external M 0.5 A fuse.
- Connect the plug via a shielded cable to ensure EMC.

Characteristic and pin assignment for current control with actual output value



1) power supply

2) Actual value (pin 4) and nominal value (pin 2) are related to 0 V (pin 3).

Nominal input value (ohmic load 100 Ω), actual output value: external ohmic load 300 Ω. If the power supply is switched off, the nominal input value is high-ohmic.

3) The power supply must be protected by an external M 0.5 A fuse.

Connect the plug via a shielded cable to ensure EMC.



# E/P pressure regulator, Series AV03-EP

- Display: LED
- Qn = 0.559 Cv
- Electr. connection M12, 5-pin, A-coded
- With collective pilot air exhaust



Version	Poppet valve
Mounting orientation	Any
Working pressure max	159 psi
Ambient temperature min./max.	14 ... 140 °F
Medium temperature min./max.	14 ... 140 °F
Medium	Compressed air
Max. particle size	40 µm
Oil content of compressed air	0 ... 5 mg/m³
Nominal flow Qn	0.559 Cv
Control	Analog
DC operating voltage	24 V
Voltage tolerance DC	-20% / +30%
Protection class	IP65
Weight	0.463 lbs
Nominal flow Qn with working pressure 101.5 psi , with secondary pressure 87 psi and Δp = 2.9 psi	

## Technical data

Part No.		Pressure setting range min./max.	Nominal input value		Actual output value	
			Min./max.		Min./max.	
R414009024		8 ... 87 psi	0 ... 10 V		0 ... 10 V	
R414009029		8 ... 87 psi	4 ... 20 mA		4 ... 20 mA	
R414009034		8 ... 145 psi	0 ... 10 V		0 ... 10 V	
R414009039		8 ... 145 psi	4 ... 20 mA		4 ... 20 mA	
R414009025		8 ... 87 psi	0 ... 10 V		0 ... 10 V	
R414009030		8 ... 87 psi	4 ... 20 mA		4 ... 20 mA	
R414009035		8 ... 145 psi	0 ... 10 V		0 ... 10 V	
R414009040		8 ... 145 psi	4 ... 20 mA		4 ... 20 mA	
R414009026		8 ... 145 psi	0 ... 10 V		-	
R414009031		8 ... 145 psi	4 ... 20 mA		-	
R414009036		8 ... 145 psi	0 ... 10 V		-	
R414009041		8 ... 145 psi	4 ... 20 mA		-	
R414009018		8 ... 145 psi	0 ... 10 V		0 ... 10 V	
R414009021		8 ... 145 psi	4 ... 20 mA		4 ... 20 mA	
R414009019		8 ... 145 psi	0 ... 10 V		-	
R414009022		8 ... 145 psi	4 ... 20 mA		-	

Part No.	Control	Max. power consumption		Repetitive precision	Hysteresis	
		mA				
R414009024	Analog	180 mA		0.58 psi	0.725 psi	1)
R414009029	Analog	180 mA		0.58 psi	0.725 psi	1)
R414009034	Analog	180 mA		0.58 psi	0.725 psi	1)

Part No.	Control	Max. power consumption	Repetitive precision	Hysteresis	
		mA			
R414009039	Analog	180 mA	0.58 psi	0.725 psi	1)
R414009025	Analog	120 mA	0.58 psi	0.725 psi	2)
R414009030	Analog	120 mA	0.58 psi	0.725 psi	2)
R414009035	Analog	120 mA	0.58 psi	0.725 psi	2)
R414009040	Analog	120 mA	0.58 psi	0.725 psi	2)
R414009026	Analog	120 mA	0.58 psi	0.725 psi	3)
R414009031	Analog	120 mA	0.58 psi	0.725 psi	3)
R414009036	Analog	120 mA	0.58 psi	0.725 psi	3)
R414009041	Analog	120 mA	0.58 psi	0.725 psi	3)
R414009018	Analog	120 mA	2.61 psi	2.9 psi	2)
R414009021	Analog	120 mA	2.61 psi	2.9 psi	2)
R414009019	Analog	120 mA	2.61 psi	2.9 psi	3)
R414009022	Analog	120 mA	2.61 psi	2.9 psi	3)

- 1) Power outage: operating line exhaust
- 2) Power outage: maintain pressure
- 3) Power outage: maintain pressure, With switch output

## Technical information

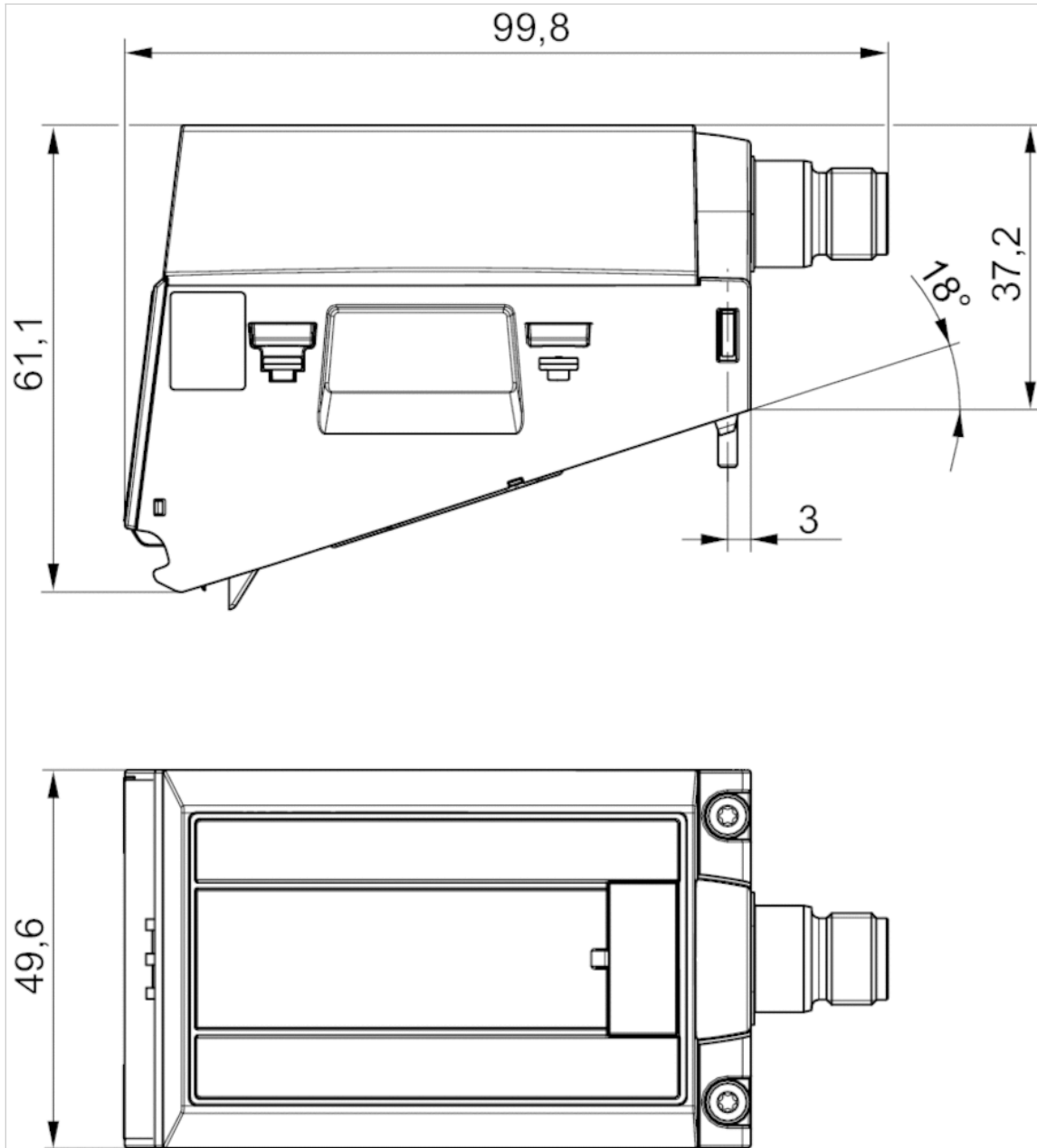
The min. control pressure must be adhered to, since otherwise faulty switching and valve failure may result!  
 The pressure dew point must be at least 27 °F under ambient and medium temperature and may not exceed 5.4 °F .  
 The oil content of compressed air must remain constant during the life cycle.  
 Use only the approved oils from AVENTICS. Further information can be found in the “Technical information” document (available in the MediaCentre).

## Technical information

Material	
Housing	Polyarylamide
Seals	Nitrile butadiene rubber

## Dimensions

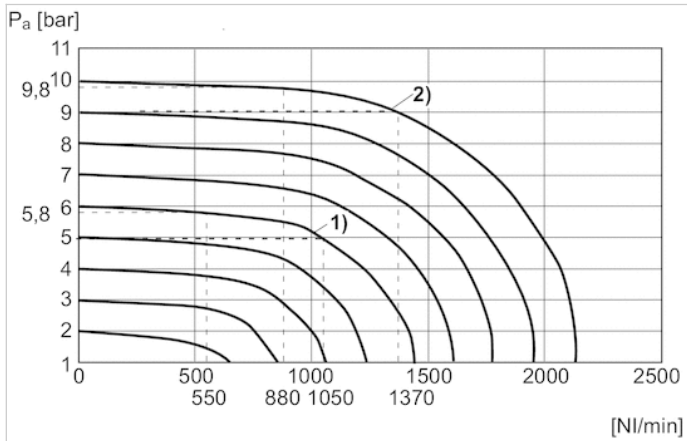
### Dimensions



Port for plug M12x1

## Diagrams

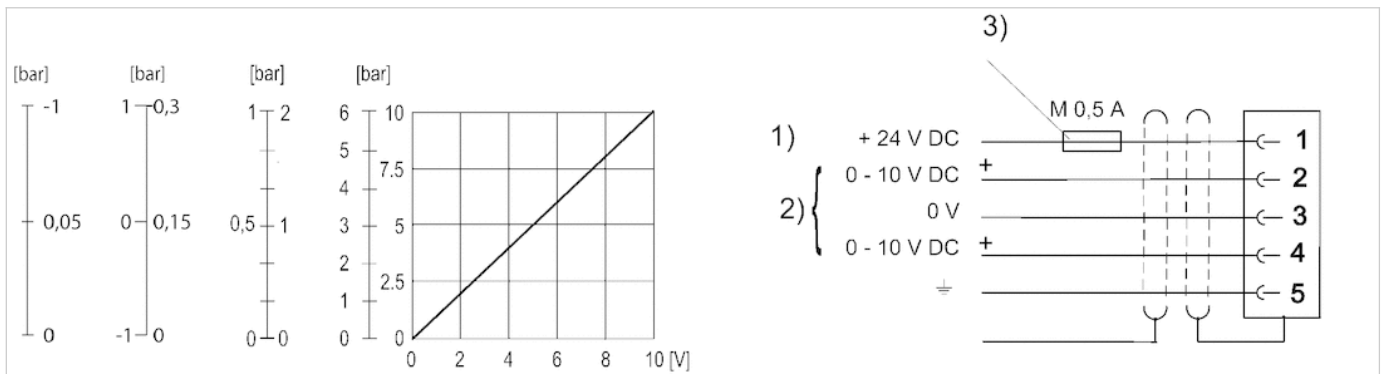
### Flow characteristic curve



- 1)  $P_v = 7 \text{ bar}$
- 2)  $P_v = 11 \text{ bar}$
- $P_v = \text{Supply pressure}$
- $P_a = \text{Working pressure}$
- $P_v = P_a + 1$

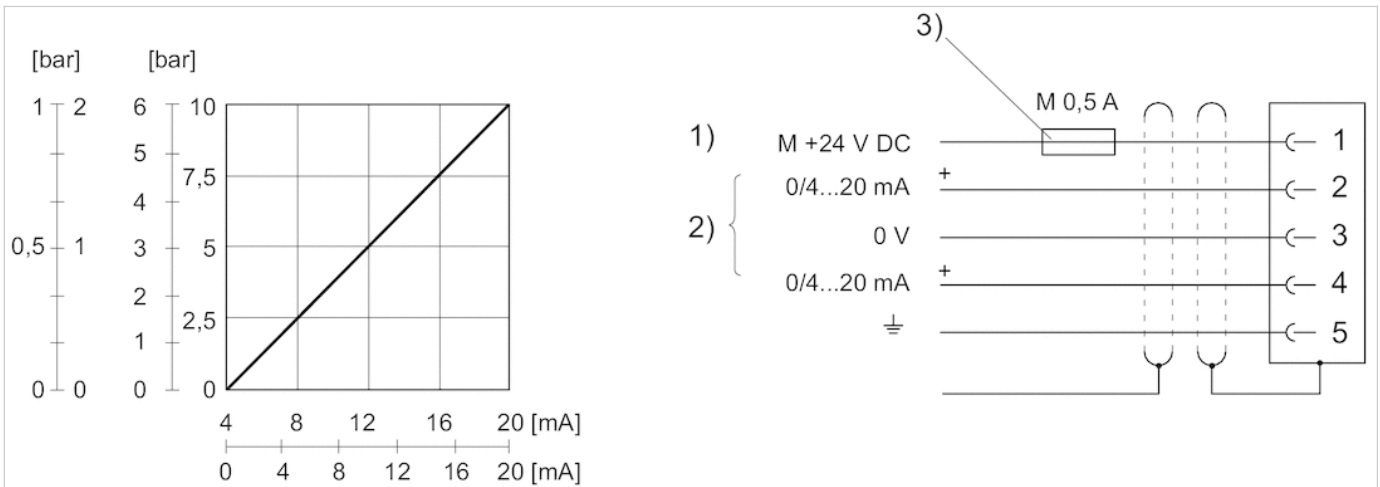
## Circuit diagram

Fig. 2 Characteristic and pin assignment for voltage control with actual output value



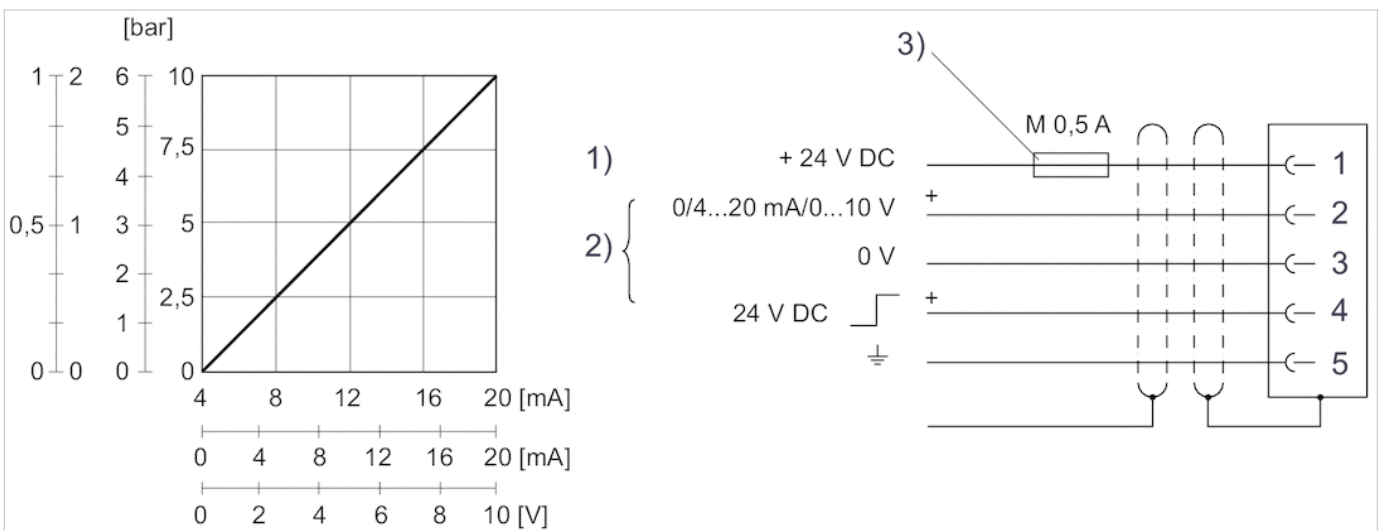
- 1) Supply voltage 2) Actual value (pin 4) and nominal value (pin 2) are related to 0 V.
- Min. load resistance of nominal value output = 1 k $\Omega$ .
- 3) The operating voltage must be protected by an external M 0.5 A fuse.
- Connect the plug via a shielded cable to ensure EMC.

Characteristic and pin assignment for current control with actual output value



- 1) power supply
- 2) Actual value (pin 4) and nominal value (pin 2) are related to 0 V (pin 3). Nominal input value (ohmic load 100 Ω), actual output value: external ohmic load 300 Ω. If the power supply is switched off, the nominal input value is high-ohmic.
- 3) The power supply must be protected by an external M 0.5 A fuse. Connect the plug via a shielded cable to ensure EMC.

Characteristic and pin assignment for current and voltage control with actual output value



- 1) Operational voltage
- 2) Nominal value (pin 2) and switch output (pin 4) are related to 0 V. Acknowledge signal
- 3) The operating voltage must be protected by an external M 0.5 A fuse.

# Round plug connector, Series CON-RD

- Socket, M12x1, 5-pin, A-coded, angled, 90°
- open cable ends
- with cable
- shielded



Ambient temperature min./max.	-13 ... 176 °F
Operational voltage	48 V, AC/DC
Protection class	IP67
Wire cross-section	0 in <sup>2</sup>
Weight	See table below

## Technical data

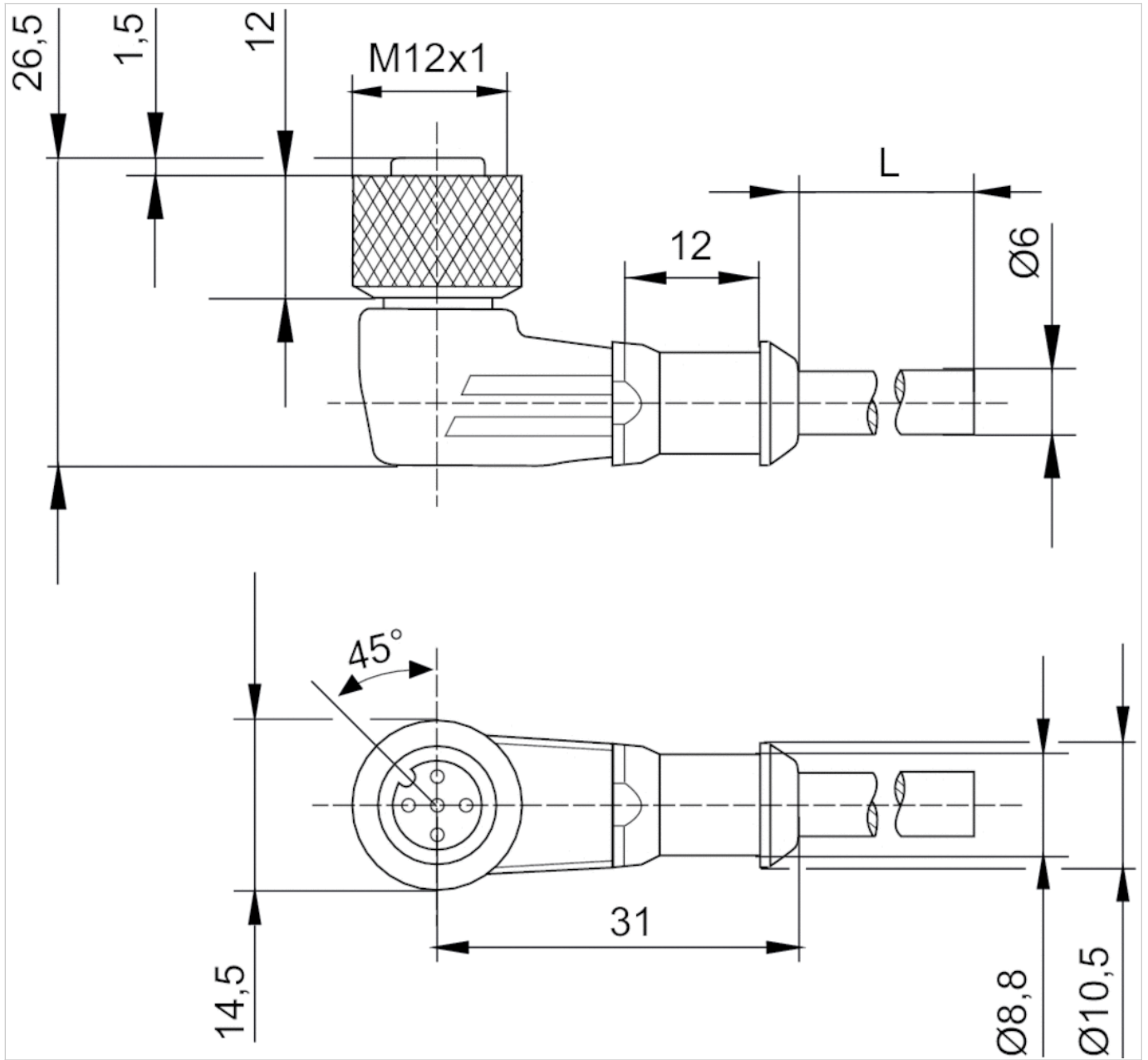
Part No.	Max. current	Number of wires	Cable-Ø	Cable length	Weight
R419800109	4 A	5	0.24 inch	8.2 ft.	0.337 lbs
R419800110	4 A	5	0.24 inch	16.4 ft.	0.628 lbs
R419800546	4 A	5	0.24 inch	32.81 ft.	1.19 lbs

## Technical information

Material	
Housing	Thermoplastic elastomer
Cable sheath	Polyurethane

Dimensions

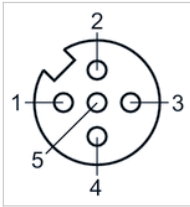
Dimensions



L = length

## Pin assignments

### Pin assignment socket



- (1) BN=brown
- (2) WH=white
- (3) BU=blue
- (4) BK=black
- (5) GRN-Y=green-yellow



# Round plug connector, Series CON-RD

- Socket, M12x1, 5-pin, A-coded, angled, 90°
- for CANopen
- UL (Underwriters Laboratories)
- shielded



Connection type	Screws
Ambient temperature min./max.	-40 ... 185 °F
Operational voltage	48 V, AC/DC
Protection class	IP67
Weight	0.159 lbs

## Technical data

Part No.	Max. current	suitable cable-Ø min./max
1824484029	4 A	0.24 / 0.31 inch

## Technical information

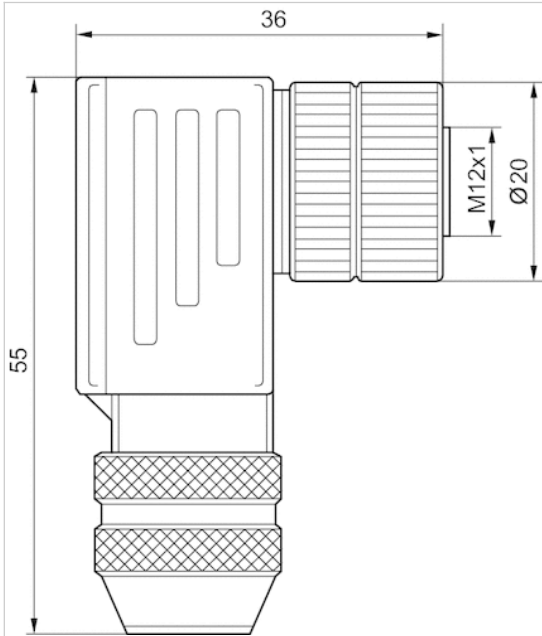
The specified protection class is only valid in assembled and tested state.

## Technical information

Material	
Housing	Die cast zinc

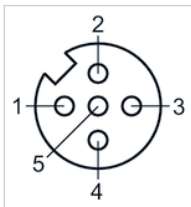
## Dimensions

### Dimensions



## Pin assignments

### Pin assignment socket



# Mounting for TH35-7.5 rail

- for ED02



Weight

0.018 lbs

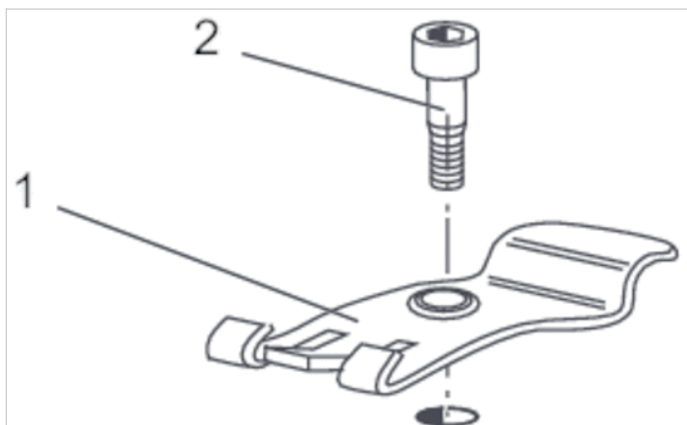
## Technical data

Part No.	Type	Delivery unit
R414002583	Mounting kit for DIN rail	1 piece

Scope of delivery: 1x mounting plate and 1x mounting screw

## Dimensions

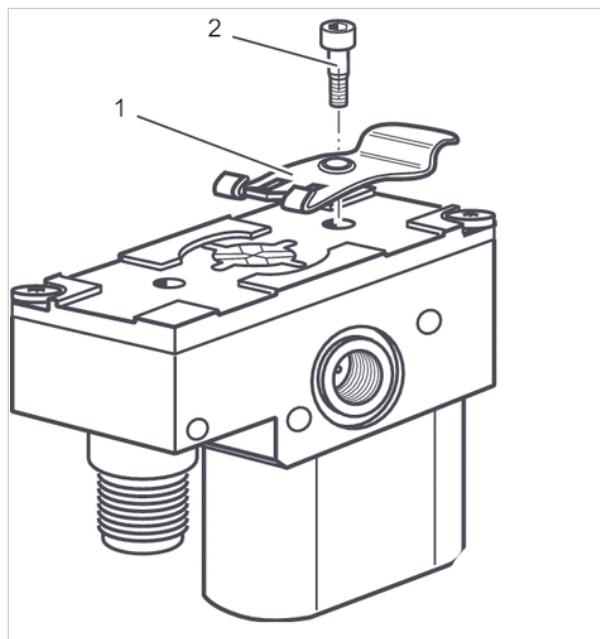
### Dimensions



Scope of delivery

- 1) Mounting plate
- 2) Mounting screw Tightening torque: 1 Nm

Application example



# Mounting kit, for mounting plate

- for ED02, EV03



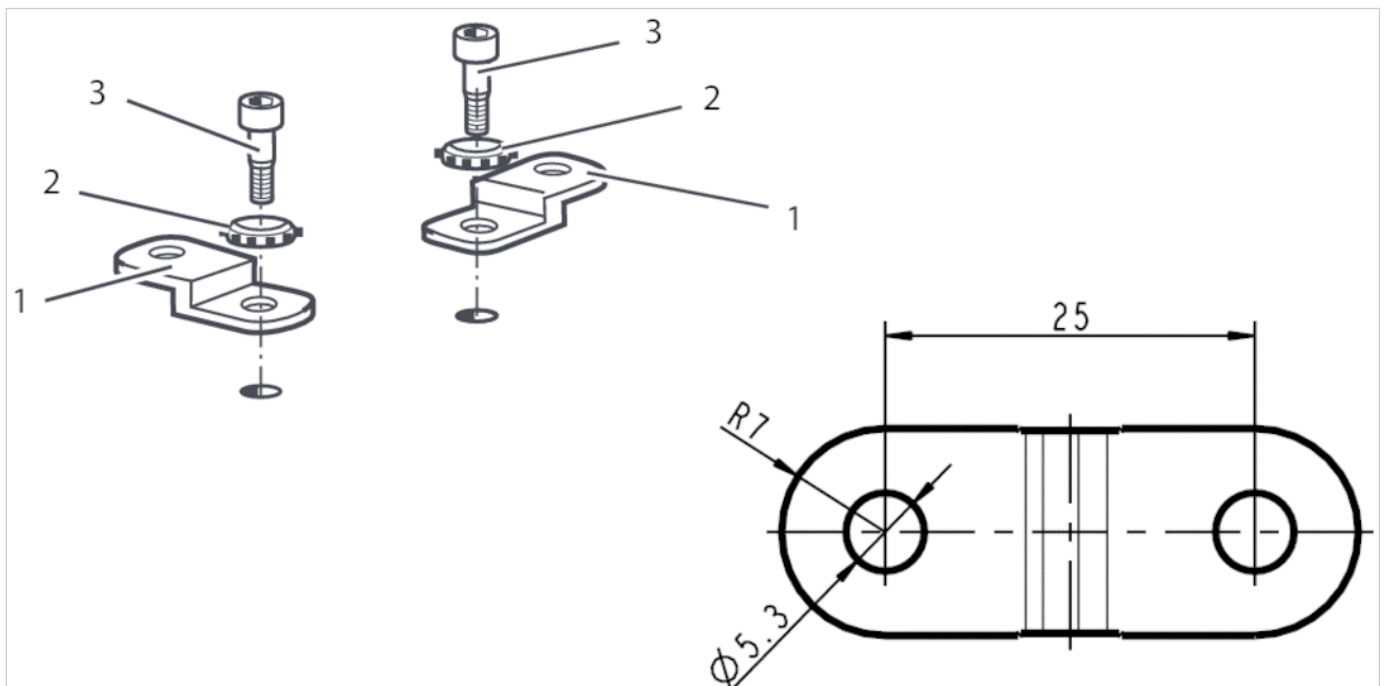
Weight

0.044 lbs

## Technical data

Part No.	Type	Delivery unit
R414002582	Mounting kit	1 piece

## Dimensions



- 1) Mounting plate
  - 2) toothed ring
  - 3) Mounting screw
- Tightening torque: 6 Nm

# Base plate

- for series EV03



Working pressure min./max.	0 ... 159 psi
Ambient temperature min./max.	14 ... 140 °F
Medium	Compressed air

## Technical data

Part No.	Type
R414007542	Base plate

## Technical information

Material	
Housing	Aluminum chill casting

## Dimensions

