

## Directional valves ▶ Coils

### Coil, Series CO1

▶ Form B, industry ▶ Coil width 22 mm



P581\_172

Connector standard electrical connections  
 Ambient temperature min./max.  
 Protection class with electrical connector/plug  
 Duty cycle ED

ISO 6952  
 Plug, Form B, industry  
 -- / +50°C  
 IP65  
 100 %

Operational voltage		Voltage tolerance		Power consumption	Switch-on power	Holding power
DC	AC 50 Hz	DC	AC 50 Hz	DC	AC 50 Hz	AC 50 Hz
				W	VA	VA
12 V	-	-	-	5	-	-
24 V	-	-10% / +10%	-	5	-	-
24 V	-	-10% / +10%	-	2	-	-
48 V	-	-	-	5	-	-
110 V	-	-10% / +10%	-	5	-	-
220 V	-	-10% / +10%	-	5	-	-
-	24 V	-	-10% / +10%	-	10	8
-	48 V	-	-10% / +10%	-	10	8
-	110 V	-	-10% / +10%	-	10	8
-	230 V	-	-10% / +10%	-	10	8

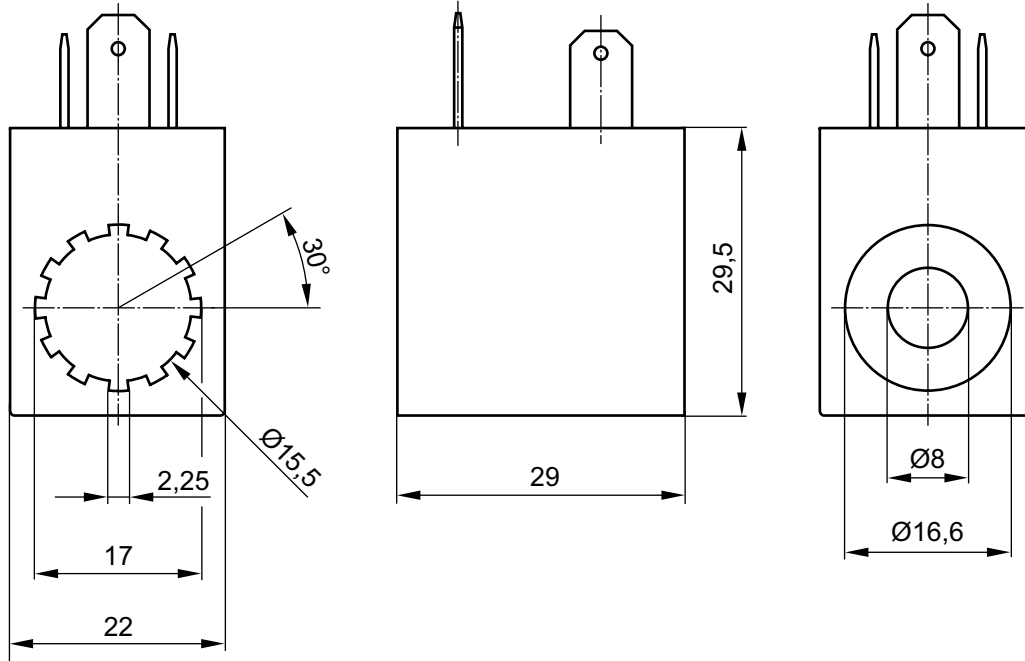
Operational voltage		Weight	Note	Part No.
AC 50 Hz	DC	[kg]		
-	12 V	0.054	-	0498317405
-	24 V	0.051	-	<b>0498317502</b>
-	24 V	0.051	1)	<b>0498318800</b>
-	48 V	0.054	-	<b>0498317618</b>
-	110 V	0.054	-	<b>0498317707</b>
-	220 V	0.054	-	<b>0498317804</b>
24 V	-	0.054	-	<b>0498316905</b>
48 V	-	0.054	-	<b>0498317006</b>
110 V	-	0.051	-	<b>0498317103</b>
230 V	-	0.054	-	<b>0498322506</b>

1) Low power consumption

**Coil, Series CO1**

▶ Form B, industry ▶ Coil width 22 mm

## Dimensions



00132664