

Rear eye MP6, Series CM1

- With ball joint and foot
- Cylinder mounting in accordance with ISO 15552
- Suitable piston Ø 160 200 250 320 mm



Standards
Weight

ISO 15552
See table below

Technical data

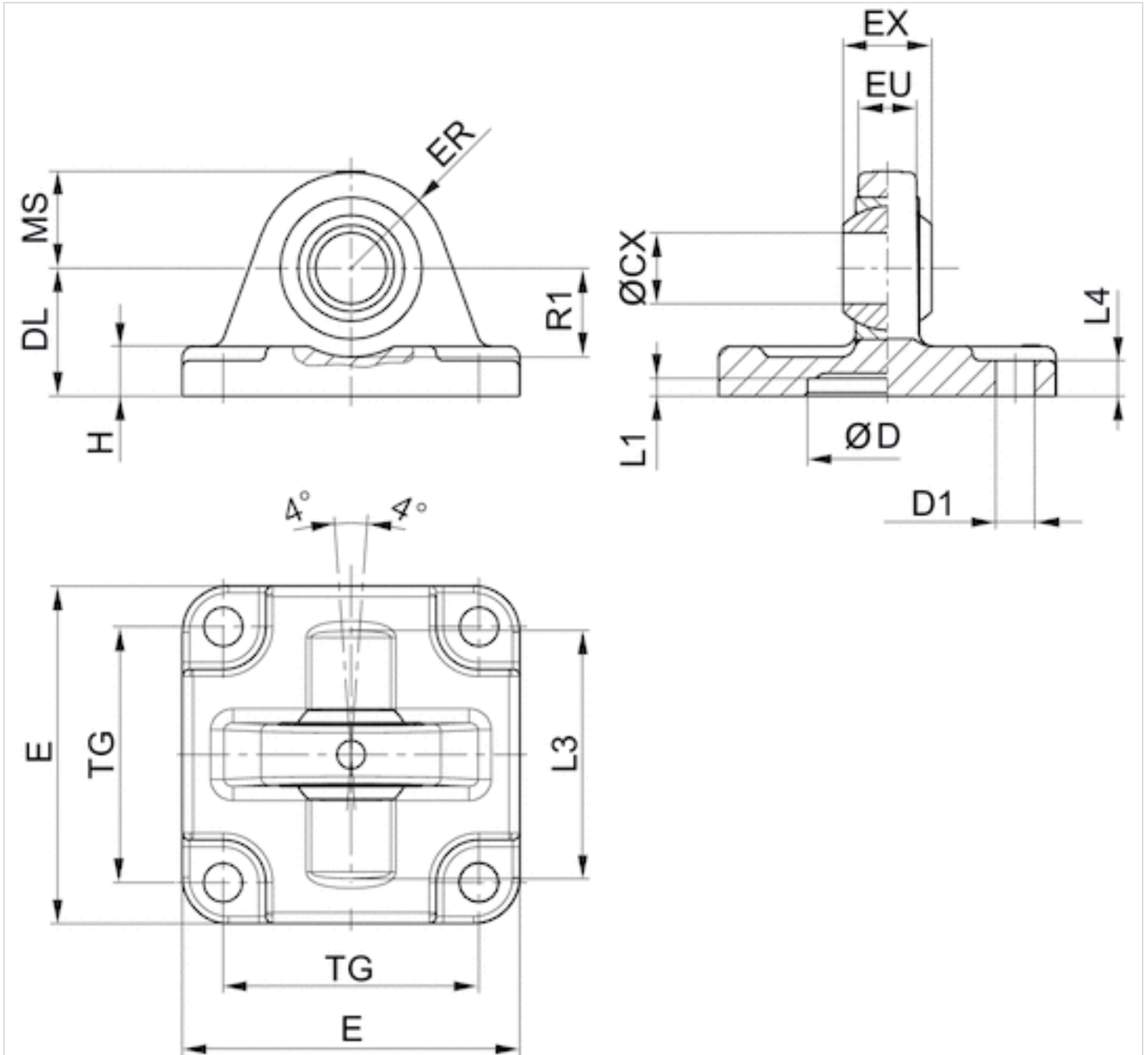
Part No.	Piston Ø	Swivel bearing Ø	Bearing material, inner ring	Bearing material, outer ring	Weight
1827001626	160 mm	35 mm	Stainless steel	Brass with PTFE coating	5,6 kg
1827001627	200 mm	35 mm	Stainless steel	Brass with PTFE coating	8,5 kg
1827001628	250 mm	40 mm	Stainless steel	Brass with PTFE coating	14,5 kg
5239013452	320 mm	50 mm	Stainless steel	Brass with PTFE coating	24,6 kg

Scope of delivery: clevis incl. mounting screws

Technical information

Material	
Material	Nodular graphite iron (galvanized)
Screws	galvanized steel

Dimensions



Dimensions

Part No.	Piston Ø	ØCX H7	ØD H11	ØD1 H13	DL ±0,2	E	EX -0,1	ER	EU	H	L1 min.	L3
1827001626	160 mm	35	65	18	55	176	43	44	30	17	7	130
1827001627	200 mm	35	75	18	60	216	43	47	30	19.5	7	130
1827001628	250 mm	40	90	22	70	275	49	53	35	22	11	-
5239013452	320 mm	50	110	26	80	340	60	63	45	27	11	180

L4	MS -0,5	R1 min.	TG
10	44	39	140 ±0,3
11	47	41	175 ±0,3

L4	MS -0,5	R1 min.	TG
11	53	45	220 ±0,3
15	63	55	270 ±0,3

Efficient pneumatic solutions, our program: cylinders and drives, valves and valve systems, air supply management



Visit us: [Emerson.com/Aventics](https://www.emerson.com/Aventics)

Your local contact: [Emerson.com/contactus](https://www.emerson.com/contactus)



Emerson.com



[Facebook.com/EmersonAutomationSolutions](https://www.facebook.com/EmersonAutomationSolutions)



[LinkedIn.com/company/Emerson-Automation-Solutions](https://www.linkedin.com/company/Emerson-Automation-Solutions)



[Twitter.com/EMR_Automation](https://twitter.com/EMR_Automation)

An example configuration is depicted on the title page. The delivered product may thus vary from that in the illustration. Subject to change. This Document, as well as the data, specifications and other information set forth in it, are the exclusive property of AVENTICS GmbH. It may not be reproduced or given to third parties without its consent. Only use the AVENTICS products shown in industrial applications. Read the product documentation completely and carefully before using the product. Observe the applicable regulations and laws of the respective country. When integrating the product into applications, note the system manufacturer's specifications for safe use of the product. The data specified only serve to describe the product. No statements concerning a certain condition or suitability for a certain application can be derived from our information. The information given does not release the user from the obligation of own judgement and verification. It must be remembered that the products are subject to a natural process of wear and aging.

The Emerson logo is a trademark and service mark of Emerson Electric Co. Brand logotype are registered trademarks of one of the Emerson family of companies. All other marks are the property of their respective owners. © 2020 Emerson Electric Co. All rights reserved.
2020-12



CONSIDER IT SOLVED™