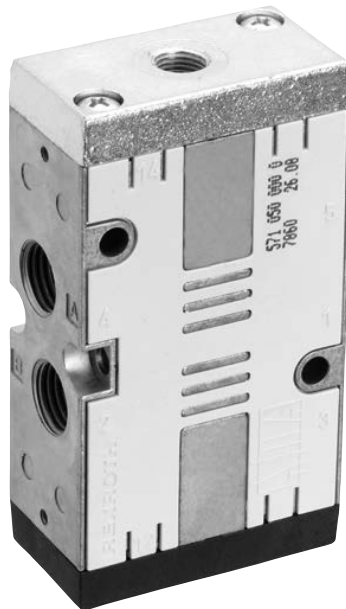


Directional valves ▶ Pneumatically operated













## Series CD07

Brochure



Directional valves ▶ Pneumatically operated

## Series CD07

	<p>2/2-directional valve, Series CD07</p> <ul style="list-style-type: none"> <li>▶ Qn = 1400 l/min ▶ pipe connection ▶ compressed air connection output: M14x1,5</li> <li>▶ suitable for ATEX</li> </ul>	4
	<p>3/2-directional valve, Series CD07</p> <ul style="list-style-type: none"> <li>▶ Qn = 1400 l/min ▶ pipe connection ▶ compressed air connection output: G 1/4</li> <li>▶ suitable for ATEX</li> </ul>	6
	<p>3/2-directional valve, Series CD07</p> <ul style="list-style-type: none"> <li>▶ Qn = 1400 l/min ▶ pipe connection ▶ compressed air connection output: M14x1,5</li> <li>▶ suitable for ATEX</li> </ul>	8
	<p>5/2-directional valve, Series CD07</p> <ul style="list-style-type: none"> <li>▶ Qn = 1200 l/min ▶ pipe connection ▶ compressed air connection output: G 1/4</li> <li>▶ suitable for ATEX</li> </ul>	10
	<p>5/2-directional valve, Series CD07</p> <ul style="list-style-type: none"> <li>▶ Qn = 1200 l/min ▶ pipe connection ▶ compressed air connection output: M14x1,5</li> <li>▶ suitable for ATEX</li> </ul>	12
	<p>5/2-directional valve, Series CD07</p> <ul style="list-style-type: none"> <li>▶ cold-resistant ▶ Qn = 1200 l/min ▶ pipe connection ▶ compressed air connection output: G 1/4 ▶ suitable for ATEX</li> </ul>	14
	<p>5/3-directional valve, Series CD07</p> <ul style="list-style-type: none"> <li>▶ Qn = 880 - 1070 l/min ▶ pipe connection ▶ compressed air connection output: G 1/4</li> <li>▶ suitable for ATEX</li> </ul>	16
	<p>5/3-directional valve, Series CD07</p> <ul style="list-style-type: none"> <li>▶ Qn = 900 - 960 l/min ▶ pipe connection ▶ compressed air connection output: M14x1,5</li> <li>▶ suitable for ATEX</li> </ul>	18
<b>Accessories</b>		
	<p>P-manifold</p> <ul style="list-style-type: none"> <li>▶ for Series CD07, 5/2 and 5/3-directional valves</li> </ul>	20
	<p>R, P, S subbase, Series CD07</p>	21
	<p>Accessories, Series CD07</p>	23
	<p>Blanking plate, for series CD07</p>	23

Part numbers marked in bold are available from the central warehouse in Germany, see the shopping basket for more detailed information

Pneumatics catalog, online PDF, as of 2016-07-26, ©AVENTICS S.à r.l., subject to change

Directional valves ▶ Pneumatically operated  
**Series CD07**

	<p>Silencers, Series S11          ▶ Sintered bronze</p>	<p>24</p>
	<p>Silencers, Series S11          ▶ Sintered bronze</p>	<p>25</p>
	<p>Silencers, Series S11          ▶ Sintered bronze</p>	<p>26</p>
	<p>Silencers, Series S11          ▶ Polyethylene</p>	<p>27</p>

## Directional valves ▶ Pneumatically operated

### 2/2-directional valve, Series CD07

▶ Qn = 1400 l/min ▶ pipe connection ▶ compressed air connection output: M14x1,5 ▶ suitable for ATEX

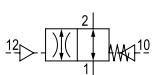


00134148

Version	Spool valve, zero overlap
Sealing principle	Soft sealing
Working pressure min./max.	-0.95 bar / 10 bar
Control pressure min./max.	2.5 bar / 10 bar
Ambient temperature min./max.	-25 °C / +80 °C
Medium temperature min./max.	-25 °C / +80 °C
Medium	Compressed air
Max. particle size	50 µm
Oil content of compressed air	0 mg/m <sup>3</sup> - 1 mg/m <sup>3</sup>
<b>Materials:</b>	
Housing	Die cast zinc
Seals	Acrylonitrile Butadiene Rubber

#### Technical Remarks

- The min. control pressure must be adhered to, since otherwise faulty switching and valve failure may result!
- The pressure dew point must be at least 15 °C under ambient and medium temperature and may not exceed 3 °C.
- The oil content of compressed air must remain constant during the life cycle.
- Use only the approved oils from AVENTICS, see chapter „Technical information“.

		Compressed air connection			Flow rate value	Weight	Part No.
		Input	Output	Pilot control exhaust			
					1 ▶ 2		
					[l/min]	[kg]	
	NO	M14x1,5	M14x1,5	M10x1, M16x1	1400	0.4	5710409000

Nominal flow Qn at 6 bar and Δp = 1 bar

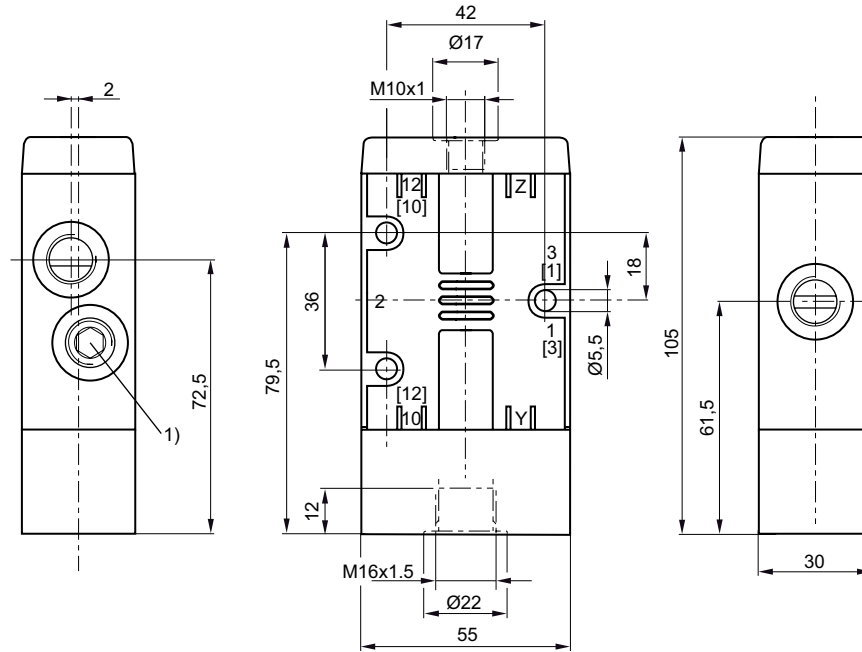
Nominal flow Qn (1 ▶ 2) can be throttled up to 100 l/min.

Directional valves ▶ Pneumatically operated

**2/2-directional valve, Series CD07**

▶ Qn = 1400 l/min ▶ pipe connection ▶ compressed air connection output: M14x1,5 ▶ suitable for ATEX

Dimensions



00135744

1) Blanking screw

## Directional valves ▶ Pneumatically operated

### 3/2-directional valve, Series CD07

▶ Qn = 1400 l/min ▶ pipe connection ▶ compressed air connection output: G 1/4 ▶ suitable for ATEX



00134148

Version	Spool valve, zero overlap
Sealing principle	Soft sealing
Working pressure min./max.	-0.95 bar / 10 bar
Control pressure min./max.	See table below
Ambient temperature min./max.	-25 °C / +80 °C
Medium temperature min./max.	-25 °C / +80 °C
Medium	Compressed air
Max. particle size	50 μm
Oil content of compressed air	0 mg/m <sup>3</sup> - 1 mg/m <sup>3</sup>
Compressed air connection	according to ISO 228-1
<b>Materials:</b>	
Housing	Die cast zinc
Seals	Acrylonitrile Butadiene Rubber

#### Technical Remarks

- The min. control pressure must be adhered to, since otherwise faulty switching and valve failure may result!
- The pressure dew point must be at least 15 °C under ambient and medium temperature and may not exceed 3 °C.
- The oil content of compressed air must remain constant during the life cycle.
- Use only the approved oils from AVENTICS, see chapter „Technical information“.
- option valve: The input and output compressed air connections can be exchanged. The valve can thereby be used in the NC or NO operating mode.

		Compressed air connection				Flow rate value	Control pressure min./max.	Weight	Part No.
		Input	Output	Exhaust	Pilot control exhaust				
						[l/min]	[bar]	[kg]	
	NO/NC	G 1/4	G 1/4	G 1/4	G 1/8	1400	3 / 10	0.4	<b>5710400100</b>
	NO/NC	G 1/4	G 1/4	G 1/4	G 1/8	1400	2 / 10	0.4	<b>5710401100</b>

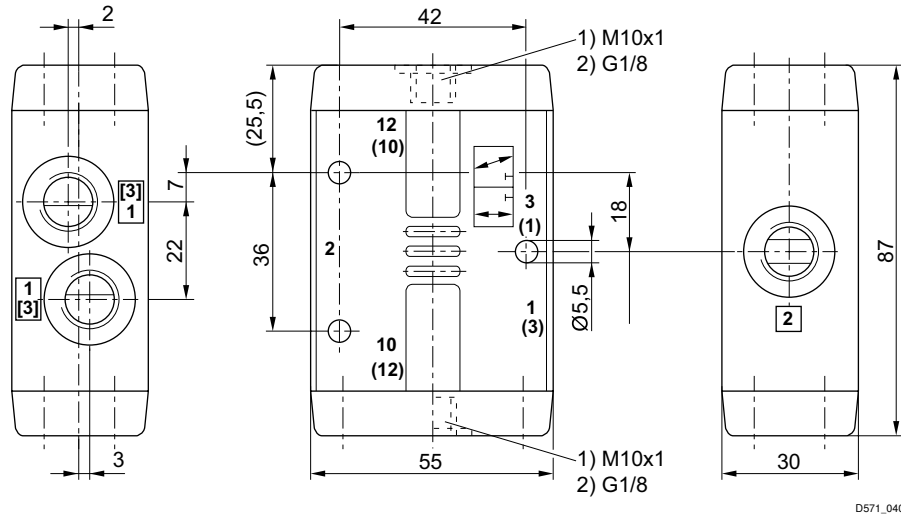
Nominal flow Qn at 6 bar and Δp = 1 bar

Directional valves ▶ Pneumatically operated

**3/2-directional valve, Series CD07**

▶ Qn = 1400 l/min ▶ pipe connection ▶ compressed air connection output: G 1/4 ▶ suitable for ATEX

Dimensions



## Directional valves ▶ Pneumatically operated

### 3/2-directional valve, Series CD07

▶ Qn = 1400 l/min ▶ pipe connection ▶ compressed air connection output: M14x1,5 ▶ suitable for ATEX



00134148

Version	Spool valve, zero overlap
Sealing principle	Soft sealing
Working pressure min./max.	-0.95 bar / 10 bar
Control pressure min./max.	See table below
Ambient temperature min./max.	See table below
Medium temperature min./max.	See table below
Medium	Compressed air
Max. particle size	50 µm
Oil content of compressed air	0 mg/m <sup>3</sup> - 1 mg/m <sup>3</sup>
<b>Materials:</b>	
Housing	Die cast zinc
Seals	Acrylonitrile Butadiene Rubber

#### Technical Remarks

- The min. control pressure must be adhered to, since otherwise faulty switching and valve failure may result!
- The pressure dew point must be at least 15 °C under ambient and medium temperature and may not exceed 3 °C.
- The oil content of compressed air must remain constant during the life cycle.
- Use only the approved oils from AVENTICS, see chapter „Technical information“.
- option valve: The input and output compressed air connections can be exchanged. The valve can thereby be used in the NC or NO operating mode.

		Compressed air connection				Flow rate value	Control pressure min./max.	Ambient temperature min./max.	Medium temperature min./max.	Part No.
		Input	Output	Exhaust	Pilot control exhaust					
						[l/min]	[bar]	[°C]	[°C]	
	NO/NC	M14x1,5	M14x1,5	M14x1,5	M10x1	1400	3 / 10	-25 °C / +80 °C	-25 °C / +80 °C	<b>5710400000</b>
							4 / 10	-35 °C / +80 °C	-35 °C / +80 °C	<b>5710400090</b>
	NO/NC	M14x1,5	M14x1,5	M14x1,5	M10x1	1400	2 / 10	-25 °C / +80 °C	-25 °C / +80 °C	<b>5710401000</b>

Part No.	Weight
	[kg]
<b>5710400000</b>	0.4
<b>5710400090</b>	0.4
<b>5710401000</b>	0.4

Nominal flow Qn at 6 bar and Δp = 1 bar





### 5/2-directional valve, Series CD07

▶ Qn = 1200 l/min ▶ pipe connection ▶ compressed air connection output: G 1/4 ▶ suitable for ATEX



00134149

Version	Spool valve, zero overlap
Sealing principle	Soft sealing
Mounting on manifold strip	P-strip, PRS strip
Working pressure min./max.	-0.95 bar / 10 bar
Control pressure min./max.	See table below
Ambient temperature min./max.	-25 °C / +80 °C
Medium temperature min./max.	-25 °C / +80 °C
Medium	Compressed air
Max. particle size	50 μm
Oil content of compressed air	0 mg/m <sup>3</sup> - 1 mg/m <sup>3</sup>
Compressed air connection	according to ISO 228-1

#### Materials:

Housing	Die cast zinc
Seals	Acrylonitrile Butadiene Rubber

#### Technical Remarks

- The min. control pressure must be adhered to, since otherwise faulty switching and valve failure may result!
- The pressure dew point must be at least 15 °C under ambient and medium temperature and may not exceed 3 °C.
- The oil content of compressed air must remain constant during the life cycle.
- Use only the approved oils from AVENTICS, see chapter „Technical information“.

	Compressed air connection				Flow rate value	Control pressure min./max.	Weight	Part No.
	Input	Output	Exhaust	Pilot control exhaust				
	G 1/4	G 1/4	G 1/4	G 1/8	1200	3 / 10	0.5	<b>5710500100</b>
	G 1/4	G 1/4	G 1/4	G 1/8	1200	2 / 10	0.5	<b>5710501100</b>

1) Protected against dust  
Nominal flow Qn at 6 bar and Δp = 1 bar



## 5/2-directional valve, Series CD07

▶ Qn = 1200 l/min ▶ pipe connection ▶ compressed air connection output: M14x1,5 ▶ suitable for ATEX



00134149

Version	Spool valve, zero overlap
Sealing principle	Soft sealing
Mounting on manifold strip	P-strip, PRS strip
Working pressure min./max.	-0.95 bar / 10 bar
Control pressure min./max.	See table below
Ambient temperature min./max.	-25 °C / +80 °C
Medium temperature min./max.	-25 °C / +80 °C
Medium	Compressed air
Max. particle size	50 μm
Oil content of compressed air	0 mg/m <sup>3</sup> - 1 mg/m <sup>3</sup>
Materials:	
Housing	Die cast zinc
Seals	Acrylonitrile Butadiene Rubber

**Technical Remarks**

- The min. control pressure must be adhered to, since otherwise faulty switching and valve failure may result!
- The pressure dew point must be at least 15 °C under ambient and medium temperature and may not exceed 3 °C.
- The oil content of compressed air must remain constant during the life cycle.
- Use only the approved oils from AVENTICS, see chapter „Technical information“.

	Compressed air connection				Flow rate value	Control pressure min./max.	Weight	Note	Part No.
	Input	Output	Exhaust	Pilot control exhaust					
					[l/min]	[bar]	[kg]		
	M14x1,5	M14x1,5	M14x1,5	M10x1	1200	3 / 10	0.5	- 1)	<b>5710500000</b> 5710509300
	M14x1,5	M14x1,5	M14x1,5	M10x1	1200	2 / 10	0.5	-	<b>5710501000</b>

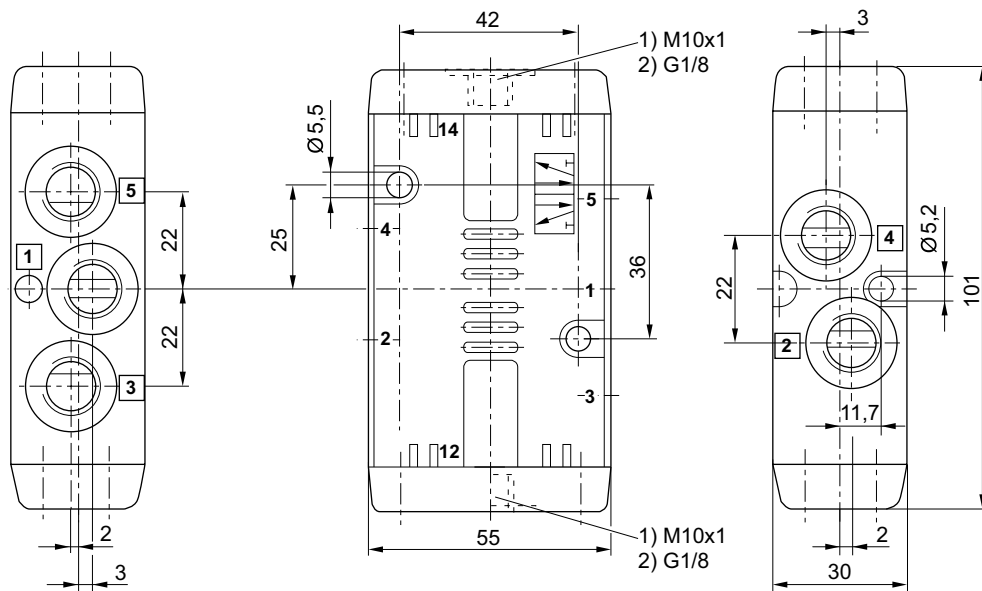
1) Protected against dust  
Nominal flow Qn at 6 bar and Δp = 1 bar

Directional valves ▶ Pneumatically operated

**5/2-directional valve, Series CD07**

▶ Qn = 1200 l/min ▶ pipe connection ▶ compressed air connection output: M14x1,5 ▶ suitable for ATEX

Dimensions



D571\_050

## Directional valves ▶ Pneumatically operated

### 5/2-directional valve, Series CD07

▶ cold-resistant ▶  $Q_n = 1200$  l/min ▶ pipe connection ▶ compressed air connection output: G 1/4 ▶ suitable for ATEX



00134149

Version	Spool valve, zero overlap
Sealing principle	Soft sealing
Mounting on manifold strip	P-strip, PRS strip
Working pressure min./max.	-0.95 bar / 10 bar
Control pressure min./max.	See table below
Ambient temperature min./max.	-40 °C / +70 °C
Medium temperature min./max.	-40 °C / +70 °C
Medium	Compressed air
Max. particle size	50 $\mu$ m
Oil content of compressed air	0 mg/m <sup>3</sup> - 1 mg/m <sup>3</sup>
Compressed air connection	according to ISO 228-1
Materials:	
Housing	Die cast zinc
Seals	Acrylonitrile Butadiene Rubber; Polyurethane

#### Technical Remarks

- The min. control pressure must be adhered to, since otherwise faulty switching and valve failure may result!
- The pressure dew point must be at least 15 °C under ambient and medium temperature and may not exceed 3 °C.
- The oil content of compressed air must remain constant during the life cycle.
- Use only the approved oils from AVENTICS, see chapter „Technical information“.

	Compressed air connection				Flow rate value	Control pressure min./max.	Weight	Part No.
	Input	Output	Exhaust	Pilot control exhaust				
					[l/min]	[bar]	[kg]	
	G 1/4	G 1/4	G 1/4	G 1/8	1200	3.5 / 10	0.5	<b>5710500190</b>
	G 1/4	G 1/4	G 1/4	G 1/8	1200	3 / 10	0.5	5710501190

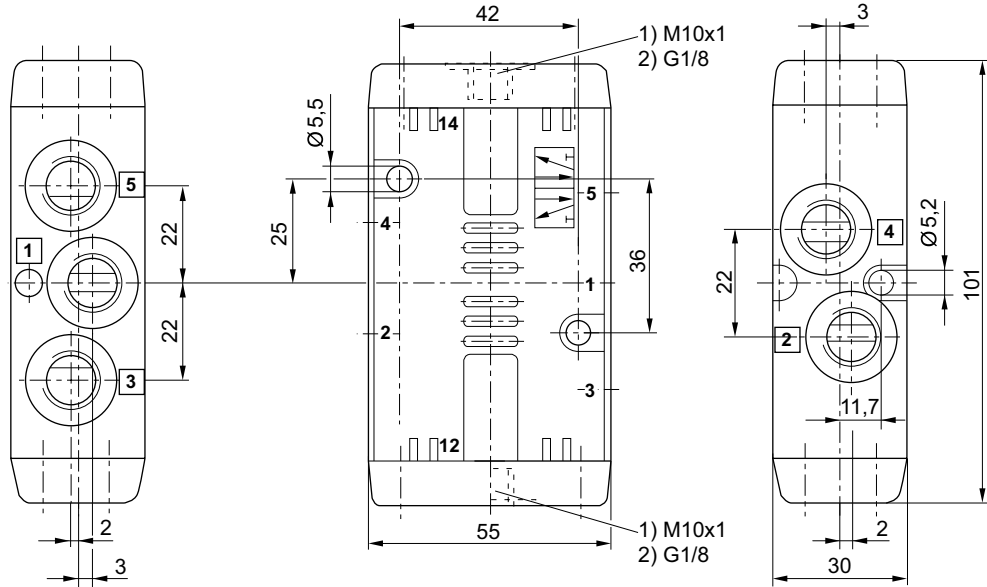
Nominal flow  $Q_n$  at 6 bar and  $\Delta p = 1$  bar

**Directional valves ▶ Pneumatically operated**

**5/2-directional valve, Series CD07**

▶ cold-resistant ▶ Qn = 1200 l/min ▶ pipe connection ▶ compressed air connection output: G 1/4 ▶ suitable for ATEX

**Dimensions**



D571\_050

## Directional valves ▶ Pneumatically operated

### 5/3-directional valve, Series CD07

▶ Qn = 880 - 1070 l/min ▶ pipe connection ▶ compressed air connection output: G 1/4 ▶ suitable for ATEX



00134150

Version	Spool valve, zero overlap
Sealing principle	Soft sealing
Mounting on manifold strip	P-strip, PRS strip
Working pressure min./max.	-0.95 bar / 10 bar
Control pressure min./max.	3 bar / 10 bar
Ambient temperature min./max.	-25 °C / +80 °C
Medium temperature min./max.	-25 °C / +80 °C
Medium	Compressed air
Max. particle size	50 μm
Oil content of compressed air	0 mg/m <sup>3</sup> - 1 mg/m <sup>3</sup>
Compressed air connection	according to ISO 228-1

#### Materials:

Housing  
Seals

Die cast zinc; Polyamide, fiber-glass reinforced  
Acrylonitrile Butadiene Rubber

#### Technical Remarks

- The min. control pressure must be adhered to, since otherwise faulty switching and valve failure may result!
- The pressure dew point must be at least 15 °C under ambient and medium temperature and may not exceed 3 °C.
- The oil content of compressed air must remain constant during the life cycle.
- Use only the approved oils from AVENTICS, see chapter „Technical information“.

	Compressed air connection				Flow rate value			Weight	Part No.
	Input	Output	Exhaust	Pilot control exhaust		1▶2	2▶3		
						[l/min]		[kg]	
	G 1/4	G 1/4	G 1/4	G 1/8	900	960	-	1.15	5710502100
	G 1/4	G 1/4	G 1/4	G 1/8	900	1030	880	1.15	<b>5710502110</b>
	G 1/4	G 1/4	G 1/4	G 1/8	900	1070	950	1.15	<b>5710502120</b>

Nominal flow Qn at 6 bar and Δp = 1 bar

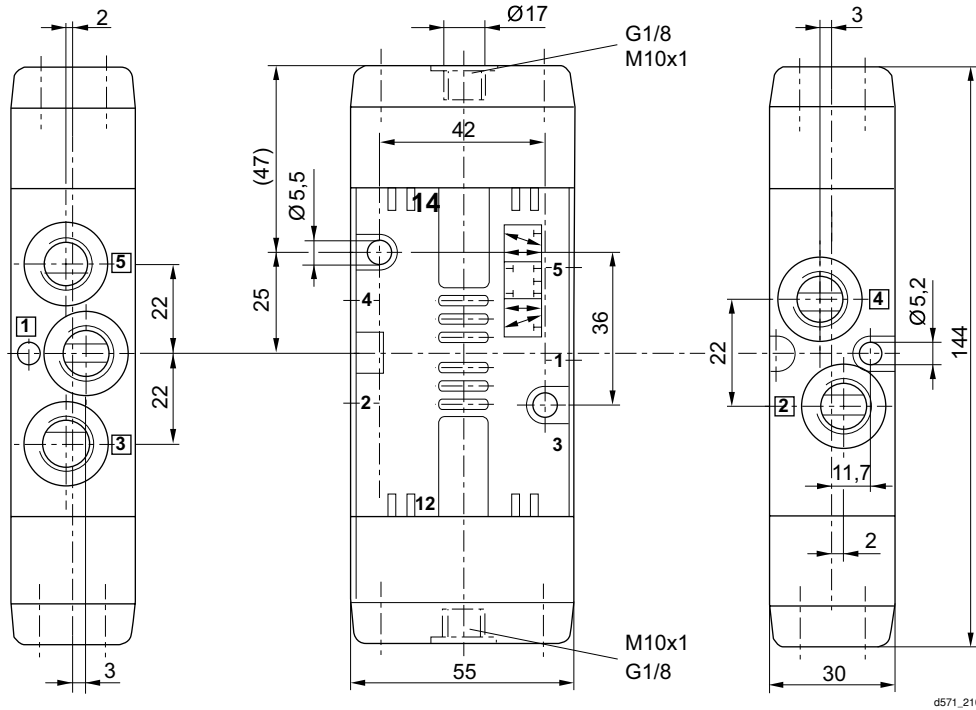


Directional valves ▶ Pneumatically operated

**5/3-directional valve, Series CD07**

▶ Qn = 880 - 1070 l/min ▶ pipe connection ▶ compressed air connection output: G 1/4 ▶ suitable for ATEX

Dimensions



### 5/3-directional valve, Series CD07

▶ Qn = 900 - 960 l/min ▶ pipe connection ▶ compressed air connection output: M14x1,5 ▶ suitable for ATEX



00134150


Version	Spool valve, zero overlap
Sealing principle	Soft sealing
Mounting on manifold strip	P-strip, PRS strip
Working pressure min./max.	-0.95 bar / 10 bar
Control pressure min./max.	3 bar / 10 bar
Ambient temperature min./max.	-25 °C / +80 °C
Medium temperature min./max.	-25 °C / +80 °C
Medium	Compressed air
Max. particle size	50 μm
Oil content of compressed air	0 mg/m <sup>3</sup> - 1 mg/m <sup>3</sup>
Compressed air connection	according to ISO 228-1

#### Materials:

Housing	Die cast zinc; Polyamide, fiber-glass reinforced
Seals	Acrylonitrile Butadiene Rubber

#### Technical Remarks

- The min. control pressure must be adhered to, since otherwise faulty switching and valve failure may result!
- The pressure dew point must be at least 15 °C under ambient and medium temperature and may not exceed 3 °C.
- The oil content of compressed air must remain constant during the life cycle.
- Use only the approved oils from AVENTICS, see chapter „Technical information“.

	Compressed air connection				Flow rate value		Weight	Part No.
	Input	Output	Exhaust	Pilot control exhaust	1▶2	2▶3		
					[l/min]		[kg]	
	M14x1,5	M14x1,5	M14x1,5	M10x1	960	900	1.15	R412008118

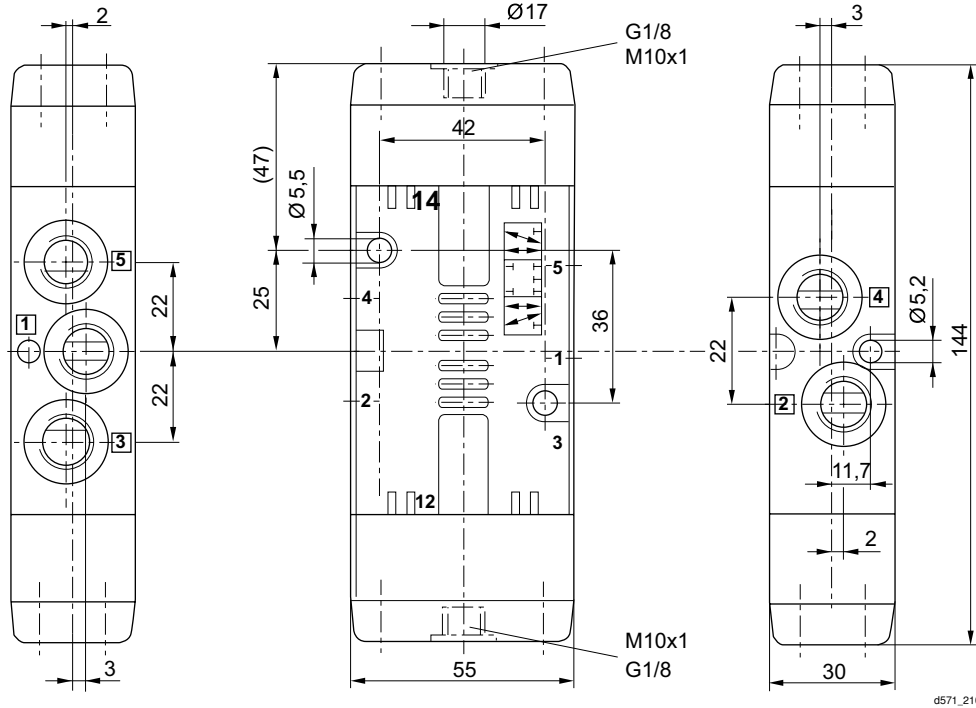
Nominal flow Qn at 6 bar and Δp = 1 bar

Directional valves ▶ Pneumatically operated

**5/3-directional valve, Series CD07**

▶ Qn = 900 - 960 l/min ▶ pipe connection ▶ compressed air connection output: M14x1,5 ▶ suitable for ATEX

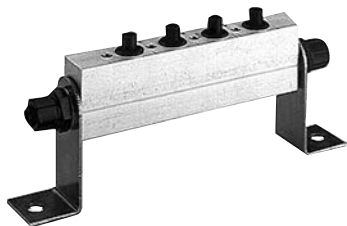
Dimensions



### Series CD07 Accessories

#### P-manifold

▶ for Series CD07, 5/2 and 5/3-directional valves



3337-121

Ambient temperature min./max.	-25 °C / +80 °C
Medium temperature min./max.	-25 °C / +80 °C
Medium	Compressed air
Working pressure min./max.	-0.95 bar / 16 bar
Exhaust (3,5)	uncollected exhaust
Compressed air connection	according to ISO 228-1

Materials:	
Base plate	Aluminum; Polyoxymethylene
Seals	Acrylonitrile Butadiene Rubber
Mounting bracket	Steel

#### Technical Remarks

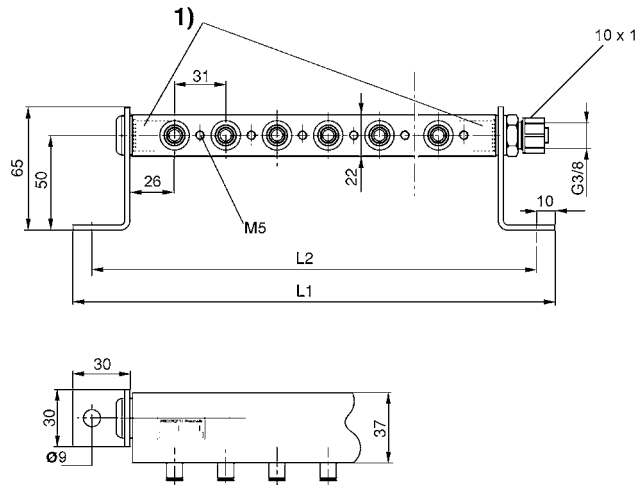
- The min. control pressure must be adhered to, since otherwise faulty switching and valve failure may result!
- The pressure dew point must be at least 15 °C under ambient and medium temperature and may not exceed 3 °C.
- The oil content of compressed air must remain constant during the life cycle.
- Use only the approved oils from AVENTICS, see chapter „Technical information“.

Compressed air connection	Number of valve positions	Weight	Part No.
Input			
[1]		[kg]	
Ø 10x1	2	0.277	<b>3337120222</b>
	3	0.338	<b>3337120232</b>
	4	0.401	<b>3337120242</b>
	5	0.462	<b>3337120252</b>
	6	0.52	3337120262
	7	0.595	3337120272
	8	0.64	3337120282
	9	0.705	3337120292
	10	0.773	3337120302
	11	0.82	3337120312
	12	0.914	3337120322

Directional valves ► Pneumatically operated

**Series CD07**  
Accessories

**Dimensions**



D333\_711

1) Only use fittings with max. length of thread engagement equal to 12 mm.

Part No.	L1	L2	Weight kg									
<b>3337120222</b>	152	132	0.277									
<b>3337120232</b>	183	163	0.338									
<b>3337120242</b>	214	194	0.401									
<b>3337120252</b>	245	225	0.462									
3337120262	276	256	0.52									
3337120272	307	287	0.595									
3337120282	338	318	0.64									
3337120292	369	349	0.705									
3337120302	400	380	0.773									
3337120312	431	411	0.82									
3337120322	462	442	0.914									

**R, P, S subbase, Series CD07**



23316

Ambient temperature min./max.  
Medium temperature min./max.  
Medium  
Working pressure min./max.  
Exhaust (3,5)

Compressed air connection

Materials:  
Base plate  
Seals

-25°C / +80°C  
-25°C / +80°C  
Compressed air  
-0.95 bar / 16 bar  
With directional exhaust (3/5)  
Ports separated  
according to ISO 228-1

Aluminum; Polyoxymethylene  
Acrylonitrile Butadiene Rubber



## Directional valves ▶ Pneumatically operated

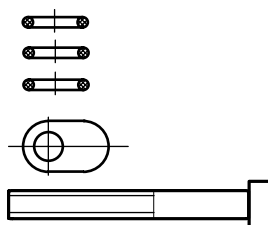
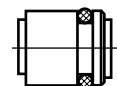
### Series CD07 Accessories

Part No.	L1	L2	LN	Weight kg								
8985072122	431	392	386	3.4								

### Accessories, Series CD07



16412

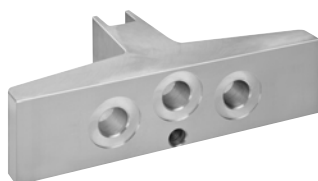
**Fig.1**

**Fig.2**

**Fig.3**

**Fig.4**


00133201

Part No.	Type	Weight [kg]	Order quantity [Piece]	Fig.					
<b>3354600002</b>	Mounting kit for 10 valves, delivery includes: 30 seals, 10 washers, and 10 mounting screws.	0.125	1	Fig. 1					
<b>3354600082</b>	P plug	0.022	1	Fig. 2					
<b>3354600072</b>	R/S plug	0.023	1	Fig. 3					

### Blanking plate, for series CD07



16413

Ambient temperature min./max.

-25°C / +80°C

Medium temperature min./max.

-25°C / +80°C

Medium

Compressed air

Working pressure min./max.

-0.95 bar / 16 bar

Number of valve positions

1

**Materials:**

Base plate

Aluminum

Seals

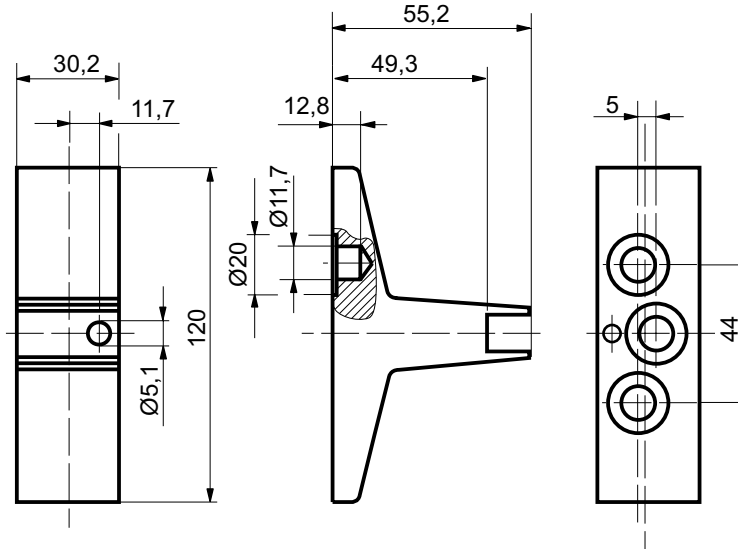
Acrylonitrile Butadiene Rubber

Weight [kg]	Part No.
0.181	<b>3354601024</b>

### Series CD07

#### Accessories

#### Dimensions



### Silencers, Series SI1

#### ▶ Sintered bronze



P100\_060

Working pressure min./max.  
Ambient temperature min./max.  
Medium

Materials:  
Silencers  
Thread

0 bar / 10 bar  
-25 °C / +80 °C  
Compressed air

Sintered bronze  
Brass

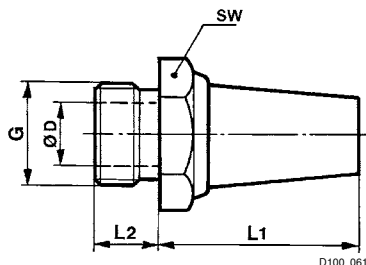
Compressed air connection	Sound pressure level	Qn	Order quantity	Weight	Part No.
	[dB]	[l/min]	[piece]	[kg]	
G 1/4	79	2900	10	0.02	<b>1827000001</b>
	-	-		0.013	<b>R412004817</b>



Directional valves ▶ Pneumatically operated

Series CD07  
Accessories

Dimensions



Part No.	Port G	SW	Ø D	L1	L2							
1827000001	G 1/4	17	8.5	25	8							
R412004817	G 1/4	16	8.5	18.7	7.6							

Sound pressure level measured at 6 bar at 1 m distance

Silencers, Series SI1  
▶ Sintered bronze



00128791

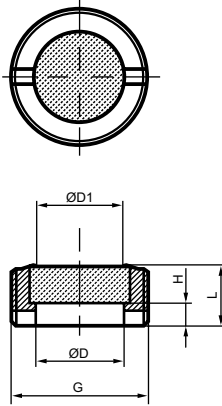
Working pressure min./max.  
Ambient temperature min./max.  
Medium

0 bar / 10 bar  
-25°C / +80°C  
Compressed air

Materials:  
Silencers  
Thread

Sintered bronze  
Brass

Compressed air connection	Order quantity	Part No.
	[piece]	
G 1/4	10	<b>R414000155</b>

**Series CD07**  
**Accessories**
**Dimensions**


Part No.	Port G	Ø D	Ø D1	H	L							
R414000155	G 1/4	8	6	3	6							

**Silencers, Series SI1**  
**▶ Sintered bronze**


P100\_037

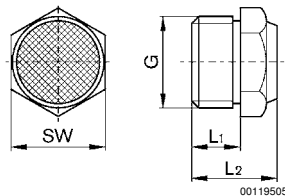
Working pressure min./max.  
 Ambient temperature min./max.  
 Medium

0 bar / 10 bar  
 -25°C / +80°C  
 Compressed air

Materials:  
 Silencers  
 Thread

Sintered bronze  
 Brass

Compressed air connection	Sound pressure level	Qn	Order quantity	Weight	Part No.
	[dB]	[l/min]	[piece]	[kg]	
G 1/4	88	900	10	0.01	<b>1827000033</b>

**Dimensions**


## Directional valves ▶ Pneumatically operated

### Series CD07 Accessories

Part No.	Port G	L1	L2	SW							
1827000033	G 1/4	8	13.5	17							

Sound pressure level measured at 6 bar at 1 m distance

### Silencers, Series SI1 ▶ Polyethylene



P100\_064

Working pressure min./max.  
Ambient temperature min./max.  
Medium

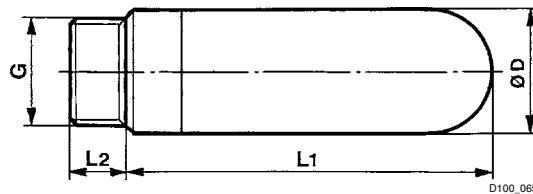
0 bar / 10 bar  
-25°C / +80°C  
Compressed air

Materials:  
Silencers  
Thread

Polyethylene  
Polyethylene

Compressed air connection	Sound pressure level	Qn	Order quantity	Weight	Part No.
	[dB]	[l/min]	[piece]	[kg]	
G 1/4	80	3100	5	0.003	<b>1827000020</b>

### Dimensions



D100\_065

Part No.	Port G	Ø D	L1	L2							
1827000020	G 1/4	15.5	34.5	8							

Sound pressure level measured at 6 bar at 1 m distance

AVENTICS GmbH  
Ulmer Straße 4  
30880 Laatzen, GERMANY  
Phone +49 511 2136-0  
Fax +49 511 2136-269  
www.aventics.com  
info@aventics.com



Find more contact information at  
[www.aventics.com/contact](http://www.aventics.com/contact)

Only use the AVENTICS products shown in industrial applications. Read the product documentation completely and carefully before using the product.

Observe the applicable regulations and laws of the respective country. When integrating the product into applications, note the system manufacturer's specifications for safe use of the product.

The data specified only serve to describe the product.

No statements concerning a certain condition or suitability for a certain application can be derived from our information.

The information given does not release the user from the obligation of own judgment and verification. It must be remembered that the products are subject to a natural process of wear and aging.

26-07-2016

An example configuration is depicted on the title page. The delivered product may thus vary from that in the illustration. Subject to change. © AVENTICS S.à r.l.  
This document, as well as the data, specifications and other information set forth in it, are the exclusive property of AVENTICS S.à r.l.. It may not be reproduced or given to third parties without its consent. PDF online