



Industrial Filters · Accumulators

Stainless Steel – Inline Filters

40/100 EL 0004-0045

450 EL 0004-0145



*One design
for a wide range of
Working Pressures
Flow Rates
Temperatures and
Applications*

*Operating Pressure 40, 100, 450 bar
Connection up to SAE 2"*



Quality assured!

Inline Filters

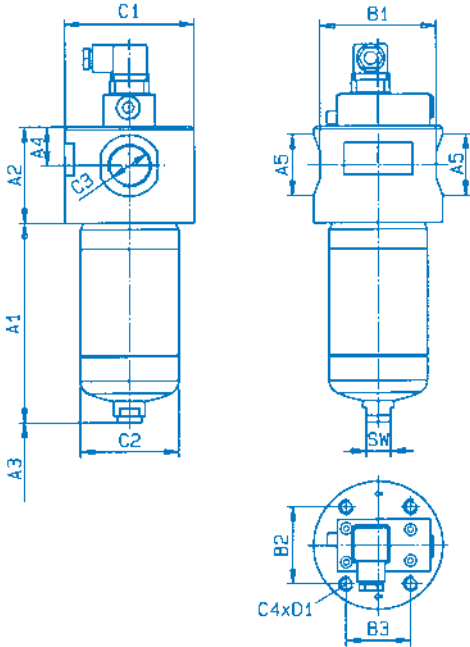
40/100 EL 0004-0045

operating pressure: 40/100 bar

operating temperature: -10 up to +100°C

connection up to G 1½

Dimensions



Type	Capacity in l	Weight in kg ¹⁾ 40/100	A1	A2	A3 ²⁾
40/100 EL 0004	0,3	3	113	60	80
40/100 EL 0008	0,6	3,3	190		
40/100 EL 0014	0,8	5/5,3	155	75	80
40/100 EL 0015	1	5,4/5,7	205		
40/100 EL 0018	1,3	5,8/6,2	255	105	80
40/100 EL 0020	1,9	11/11,7	188		
40/100 EL 0030	2,7	11,8/17,7	278		
40/100 EL 0045	3,8	13,2/15	428		

Type	A4	A5	B1	B2	B3
40/100 EL 0004	25	Ø28	75	50	40
40/100 EL 0008					
40/100 EL 0014	30	Ø48	90	60	50
40/100 EL 0015					
40/100 EL 0018					
40/100 EL 0020	40	Ø64	118	80	60
40/100 EL 0030					
40/100 EL 0045					

Type	C1	C2	C3 Connection RO	SW
40/100 EL 0004	Ø80	Ø60,3	G ½	19
40/100 EL 0008				
40/100 EL 0014	Ø100	Ø76,1	G 1	19
40/100 EL 0015				
40/100 EL 0018				
40/100 EL 0020	Ø130	Ø101,6	G 1 ½	19
40/100 EL 0030				
40/100 EL 0045				

¹⁾ = weight including standard filter element and maintenance indicator

²⁾ = servicing height for filter element replacement

Application

Filtration of oil, water, waterbased fluids, aggressive chemical liquids and gases. Direct installation in pipelines to provide wear protection of subsequent components and systems.

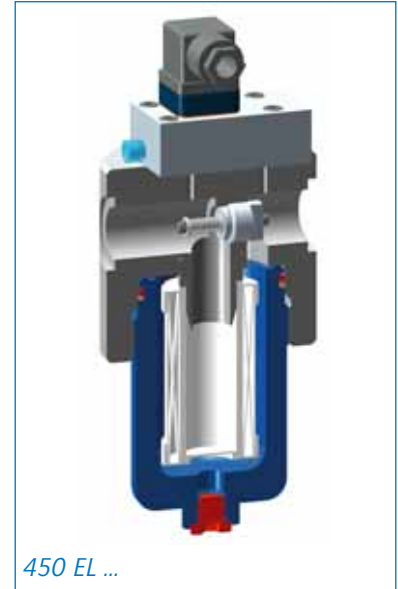
Design and Accessories

High efficiency filter in stainless steel (1.4571).

Optimised flow characteristics. Optional with bypass valve and maintenance indicator.



40/100 EL ...



450 EL ...

Filter Elements

Pleated design with optimised pleat density and various filter media. For further detailed information please refer our "Filter Elements" brochure.

Advantages

Advantage 1

One design for a wide range of working pressure, flow rate, temperature and applications.

Advantages for the user

High reliability; there is **only one** filter design to maintain.

Advantage 2

For the design of a system: For the same flow rate in all pressure ranges the **same** connection and orientation.

Advantages for the user

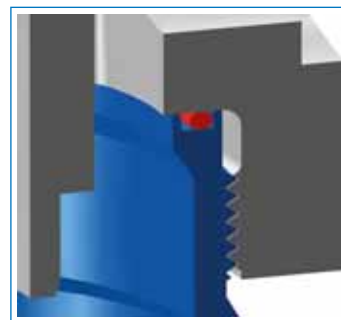
Less filter types in a system. The **same** filter element at **same** flow rates for **all** types. Less stock keeping of spare elements.

Advantage 3

Standard is an **axial** sealing (Type 40/100 EL...). Thereby a **low dead storage** design.

Advantages for the user

The fluid is **less time** in the filter. **Less corners and edges** where the fluid can settle.





4

Advantage 4

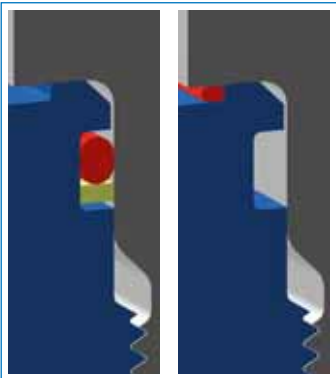
Standard is an **axial sealing** (Type 40/100 EL...). This enables a **huge range of temperature- and fluid resistant sealing materials**.

Advantages for the user

Possible temperature range **-60°C and +200°C** and possible applications for a **wide amount of different fluids**.

Advantage 5

To modify the sealing (Type 450 EL...) from **radial** to **axial** is possible at any time.



5

Advantages for the user

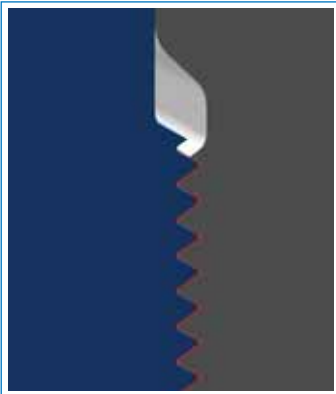
Wide range of applications in various fluid and temperature ranges **without change of the housing**. By using for example **stainless steel-O-rings** the temperature range is even higher (**-200°C and +200°C**).

Advantage 6

Special coated stainless steel thread.

Advantages for the user

High pressure- and temperature resistant in comparison to traditional coatings. **Easy disassembly and assembly** due to **slide effect** of the coating. **Damaged coating can be renewed**.



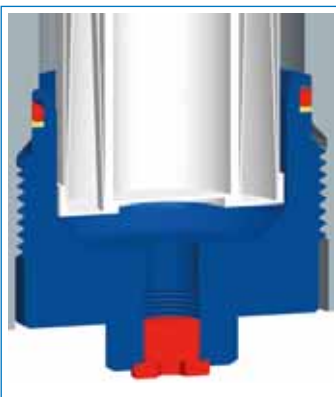
6

Advantage 7

Special design features and standard plug enables **quick and complete drain** of the filter body.

Advantages for the user

Low fluid loss and high reliability due to **controlled drain and recirculation**.



7/8

Advantage 8

Filter bowl made of two pieces for the large filter sizes.

Advantages for the user

The **handling during the change of the filter element** is much more **easier**.

Inline Filters

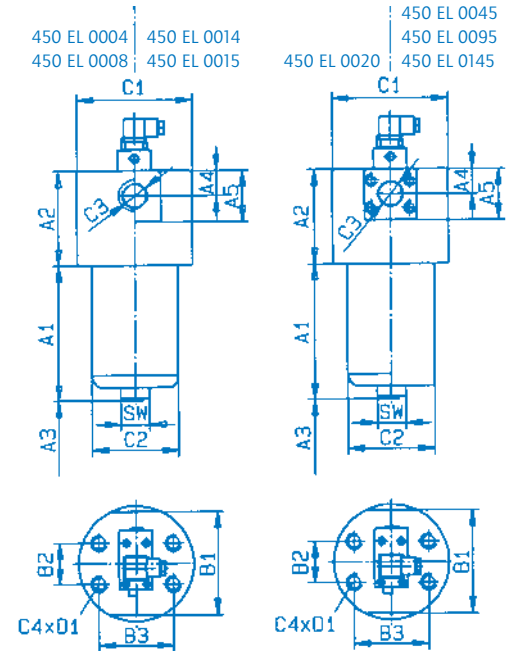
450 EL 0004-0145

operating pressure: **450 bar**

operating temperature: **-10 up to +100°C**

connection up to **SAE 2"**

Dimensions



Type	Capacity in l	Weight in kg ¹⁾	A1	A2	A3 ²⁾
450 EL 0004	0,2	7,5	84	90	80
450 EL 0008	0,5	9,0	161		
450 EL 0014	0,9	18,0	116	115	100
450 EL 0015	1,1	20,0	165		
450 EL 0020	1,6	40,0	149	150	400
450 EL 0045	3,9	66,0	397		
450 EL 0095	5,7	98,0		627	205
450 EL 0145	8,3	121,0			

Type	A4	A5	B1	B2	B3	C1
450 EL 0004	30	-	-	40	70	Ø100
450 EL 0008						Ø140
450 EL 0014						Ø190
450 EL 0015						Ø190
450 EL 0020	40	80	163	75	110	Ø190
450 EL 0045	57,5	115	180	80	150	Ø220
450 EL 0095						
450 EL 0145						

Type	C2	C3 Connection		C4	D1	SW
		RO	SO			
450 EL 0004	Ø72	G ¾	-	M6	12	24
450 EL 0008						
450 EL 0014	Ø105	G 1	-	M10	15	30
450 EL 0015						
450 EL 0020	Ø143	-	SAE 1 ¼" 6000 psi	M12	20	41
450 EL 0045	Ø150					
450 EL 0095	Ø180					
450 EL 0145						

¹⁾ = weight including standard filter element and maintenance indicator

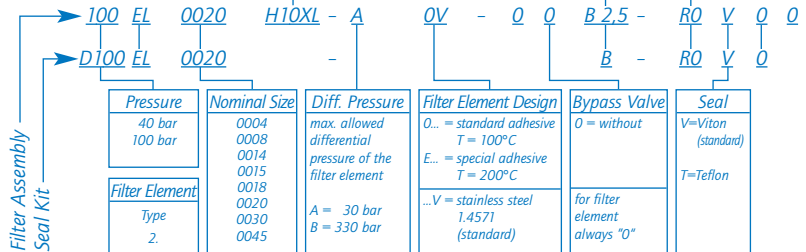
²⁾ = servicing height for filter element replacement



Industrial Filters · Accumulators

Ordering Information 40/100 EL...

Filtration Grade	Maintenance Indicator	Connection
nominal filter fineness in μm G = stainless steel wire mesh, cleanable G10 G25 G40 G80 G100 VS = nonwoven, not cleanable VS25 VS40 VS60 P = paper, not cleanable P5 P10 P25 absolute filter fineness (ISO 4572) in μm H...XL = micro glass fibre, not cleanable H1XL H3XL H6XL H10XL H20XL AS = micro glass fibre, water adsorbent, not cleanable AS1 AS3 AS5 AS10 AS20 M = metal fibre 1.4404, not cleanable M5 M10	O = without A = maintenance indicator, visual B = maintenance indicator, visual/ electrical with electric plug D = maintenance indicator, visual/ electrical with 3 luminous diodes and two shift points standard switch pressure 2,5 bar 5,0 bar	RO = standard (for size 0004-0045)



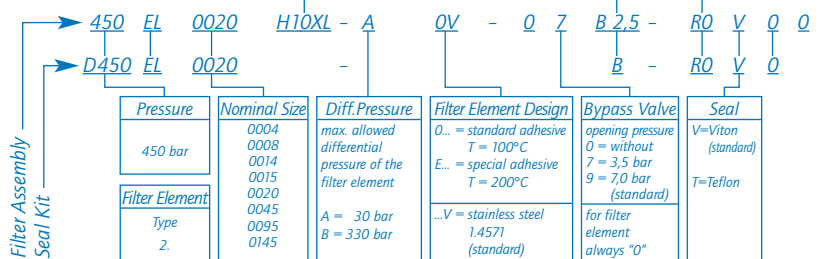
Design 40/100 EL...

max. flow rate, fluid water, filter media wire mesh 25 μm

Type	Flow rate (l/min)
40/100 EL 0004	1 - 45
40/100 EL 0008	41 - 65
40/100 EL 0014	65 - 105
40/100 EL 0015	106 - 155
40/100 EL 0018	156 - 185
40/100 EL 0020	186 - 255
40/100 EL 0030	256 - 355
40/100 EL 0045	356 - 550

Ordering Information 450 EL...

Filtration Grade	Maintenance Indicator	Connection
nominal filter fineness in μm G = stainless steel wire mesh, cleanable G10 G25 G40 G60 G80 G100 VS = nonwoven, not cleanable VS25 VS40 VS60 P = paper, not cleanable P5 P10 P25 absolute filter fineness (ISO 4572) in μm H...XL = Micro glass fibre, not cleanable H1XL H3XL H6XL H10XL H20XL AS = Micro glass fibre, water adsorbent, not cleanable AS1 AS3 AS5 AS10 AS20 M = metal fibre 1.4404, not cleanable M5 M10	O = without A = maintenance indicator, visual B = maintenance indicator, visual/ electrical with electric plug D = maintenance indicator, visual/ electrical with 3 luminous diodes and two shift points standard switch pressure 2,5 bar 5,0 bar	RO = standard (for size 0004-0015) SO = standard (for size 0020-0145)



Design 450 EL...

max. flow rate, fluid water, filter media wire mesh 25 μm

Type	Flow rate (l/min)
450 EL 0004	1 - 65
450 EL 0008	66 - 105
450 EL 0014	106 - 170
450 EL 0015	171 - 205
450 EL 0020	206 - 355
450 EL 0045	356 - 460
450 EL 0095	461 - 705
450 EL 0145	706 - 900

More technical data see brochure No. T43.1B and T43.2B

Technical modifications reserved!

43B-GB/01/01.05/2000

K. & H. Eppensteiner GmbH & Co.KG
Hardtwaldstraße 43 · D-68775 Ketsch
P.O.Box 1120 · D-68768 Ketsch
Phone: +49 62 02 / 6 03-0
Telefax: +49 62 02 / 6 03-1 99
E-Mail: info@eppensteiner.de
Internet: www.eppensteiner.de