

Pignoni semplici, doppi e tripli

The background of the page is a teal color. It features several metallic gears of various sizes and types. A large gear with a central hole is prominent in the upper right. Below it, there are smaller gears, some of which are double or triple gears. The gears are arranged in a way that suggests a mechanical assembly.

PIGNONI

INDICE

PIGNONE SEMPLICE, DOPPIO E TRIPLO	Pag.
Pignone semplice	
ISO 04B-1 Passo 6 x 2,8 mm	43
ISO 05B-1 Passo 8 x 3 mm	44
ISO 06B-1 Passo 3/8" x 7/32"	45
ISO 81-1 Passo 1/2" x 1/8"	46
ISO 83-1 Passo 1/2" x 3/16"	47
ISO 08B-1 Passo 1/2" x 5/16"	48
ISO 10B-1 Passo 5/8" x 3/8"	49
ISO 12B-1 Passo 3/4" x 7/16"	50
ISO 16B-1 Passo 1" x 17,02 mm	51
ISO 20B-1 Passo 1" 1/4 x 3/4"	52
ISO 24B-1 Passo 1" 1/2 x 1"	53
ISO 28B-1 Passo 1" 3/4 x 1" 1/4	54
ISO 32B-1 Passo 2" x 1" 1/4	55
Pignone doppio	
ISO 05B-2 Passo 8 x 3 mm	56
ISO 06B-2 Passo 3/8" x 7/32"	57
ISO 08B-2 Passo 1/2" x 5/16"	58
ISO 10B-2 Passo 5/8" x 3/8"	59
ISO 12B-2 Passo 3/4" x 7/16"	60
ISO 16B-2 Passo 1" x 17,02 mm	61
ISO 20B-2 Passo 1" 1/4 x 3/4"	62
ISO 24B-2 Passo 1" 1/2 x 1"	63
ISO 28B-2 Passo 1" 3/4 x 1" 1/4	64
ISO 32B-2 Passo 2" x 1" 1/4	65
Pignone triplo	
ISO 06B-3 Passo 3/8" x 7/32"	66
ISO 08B-3 Passo 1/2" x 5/16"	67
ISO 10B-3 Passo 5/8" x 3/8"	68
ISO 12B-3 Passo 3/4" x 7/16"	69
ISO 16B-3 Passo 1" x 17,02 mm	70
ISO 20B-3 Passo 1" 1/4 x 3/4"	71
ISO 24B-3 Passo 1" 1/2 x 1"	72
ISO 28B-3 Passo 1" 3/4 x 1" 1/4	73
ISO 32B-3 Passo 2" x 1" 1/4	74



PIGNONI SEMPLICI

Pignone semplice

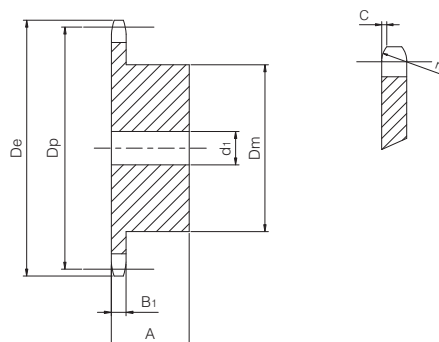
per catene a rulli secondo DIN 8187 - ISO/R 606

ISO 04B-1

Passo 6 x 2,8 mm



PIGNONE	[mm]
Raggio dente r_3	6
Larghezza raggio C	0,7
Larghezza dente B_1	2,6
CATENA	[mm]
Passo	6
Larghezza interna	2,8
Rullo \varnothing	4



Z	D_e [mm]	D_p [mm]	D_m [mm]	d_1 [mm]	A [mm]	W [kg]	Codice
8	18,00	15,67	9,8	5	10	0,01	QPS04B1-008
9	19,90	17,54	11,5	5	10	0,01	QPS04B1-009
10	21,70	19,42	13	6	10	0,01	QPS04B1-010
11	23,60	21,30	14	6	10	0,01	QPS04B1-011
12	25,40	23,18	16	6	10	0,02	QPS04B1-012
13	27,30	25,05	18	8	10	0,02	QPS04B1-013
14	29,20	26,96	20	8	10	0,03	QPS04B1-014
15	31,00	28,86	20	8	10	0,03	QPS04B1-015
16	33,00	30,76	20	8	13	0,03	QPS04B1-016
17	35,00	32,65	20	8	13	0,04	QPS04B1-017
18	36,90	34,55	20	8	13	0,04	QPS04B1-018
19	38,80	36,44	20	8	13	0,04	QPS04B1-019
20	40,70	38,34	20	8	13	0,04	QPS04B1-020
21	42,60	40,25	25	8	13	0,06	QPS04B1-021
22	44,50	42,16	25	8	13	0,06	QPS04B1-022
23	46,40	44,06	25	8	13	0,06	QPS04B1-023
24	48,30	45,96	25	8	13	0,07	QPS04B1-024
25	50,20	47,87	25	8	13	0,07	QPS04B1-025
26	52,10	49,76	30	8	15	0,10	QPS04B1-026
27	54,00	51,67	30	8	15	0,10	QPS04B1-027
28	55,90	53,58	30	8	15	0,11	QPS04B1-028
29	57,80	55,50	30	8	15	0,11	QPS04B1-029
30	59,80	57,42	30	8	15	0,11	QPS04B1-030
31	61,70	59,31	30	8	15	0,11	QPS04B1-031
32	63,60	61,21	30	8	15	0,12	QPS04B1-032
33	65,50	63,11	30	8	15	0,12	QPS04B1-033
34	67,40	65,02	30	8	15	0,12	QPS04B1-034
35	69,30	66,93	30	8	15	0,13	QPS04B1-035
36	71,20	68,84	30	8	15	0,13	QPS04B1-036
37	73,10	70,75	30	8	15	0,14	QPS04B1-037
38	75,00	72,66	30	8	15	0,14	QPS04B1-038
39	76,90	74,57	30	8	15	0,14	QPS04B1-039
40	78,90	76,47	30	8	15	0,15	QPS04B1-040
45	88,50	86,01	40	10	18	0,46	QPS04B1-045
50	98,00	95,55	50	12	20	0,50	QPS04B1-050
57	111,40	108,93	50	12	20	0,53	QPS04B1-057

Materiale: C45

D_e	Diametro esterno	mm
D_p	Diametro primitivo	mm
D_m	Diametro mozzo	mm
W	Peso	kg

Pignone semplice

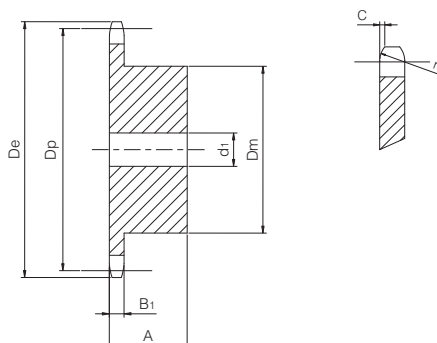
per catene a rulli secondo DIN 8187 - ISO/R 606



ISO 05B-1

Passo 8 x 3 mm

PIGNONE		[mm]
Raggio dente r_3	8	
Larghezza raggio C	1	
Larghezza dente B_1	2,8	
CATENA		[mm]
Passo	8	
Larghezza interna	3	
Rullo \varnothing	5	



Z	D_e [mm]	D_p [mm]	D_m [mm]	d_1 [mm]	A [mm]	W [kg]	Codice
8	24,00	20,90	13	6	12	0,01	QPS05B1-008
9	26,60	23,39	15	6	12	0,02	QPS05B1-009
10	29,20	25,89	17	8	12	0,02	QPS05B1-010
11	31,70	28,39	18	8	13	0,03	QPS05B1-011
12	34,20	30,91	20	8	13	0,04	QPS05B1-012
13	36,70	33,42	23	8	13	0,05	QPS05B1-013
14	39,20	35,95	25	8	13	0,05	QPS05B1-014
15	41,70	38,48	28	8	13	0,07	QPS05B1-015
16	44,30	41,01	30	8	14	0,08	QPS05B1-016
17	46,80	43,53	30	8	14	0,09	QPS05B1-017
18	49,30	46,07	30	8	14	0,09	QPS05B1-018
19	51,90	48,61	30	8	14	0,09	QPS05B1-019
20	54,40	51,14	30	8	14	0,10	QPS05B1-020
21	57,00	53,68	35	8	14	0,12	QPS05B1-021
22	59,50	56,21	35	8	14	0,13	QPS05B1-022
23	62,00	58,75	35	8	14	0,13	QPS05B1-023
24	64,60	61,29	35	8	14	0,14	QPS05B1-024
25	67,50	63,83	35	8	14	0,15	QPS05B1-025
26	69,50	66,37	40	10	16	0,19	QPS05B1-026
27	72,20	68,91	40	10	16	0,20	QPS05B1-027
28	74,80	71,45	40	10	16	0,20	QPS05B1-028
29	77,30	73,99	40	10	16	0,21	QPS05B1-029
30	79,80	76,53	40	10	16	0,22	QPS05B1-030
31	82,40	79,08	40	10	16	0,22	QPS05B1-031
32	84,90	81,61	40	10	16	0,22	QPS05B1-032
33	87,50	84,16	40	10	16	0,23	QPS05B1-033
34	90,00	86,70	40	10	16	0,24	QPS05B1-034
35	92,50	89,25	40	10	16	0,25	QPS05B1-035
36	95,00	91,79	40	10	16	0,25	QPS05B1-036
37	97,60	94,33	40	10	16	0,26	QPS05B1-037
38	100,20	96,88	40	10	16	0,27	QPS05B1-038
39	102,70	99,42	40	10	16	0,28	QPS05B1-039
40	105,30	101,97	40	10	16	0,29	QPS05B1-040
45	118,00	114,69	60	12	20	0,58	QPS05B1-045
50	130,70	127,41	60	12	20	0,75	QPS05B1-050
57	148,60	145,22	80	14	20	1,00	QPS05B1-057
76	197,70	193,59	80	20	25	1,94	QPS05B1-076

Materiale: C45 (Fe360B con Z = 76)

D_e	Diametro esterno	mm
D_p	Diametro primitivo	mm
D_m	Diametro mozzo	mm
W	Peso	kg

Pignone semplice

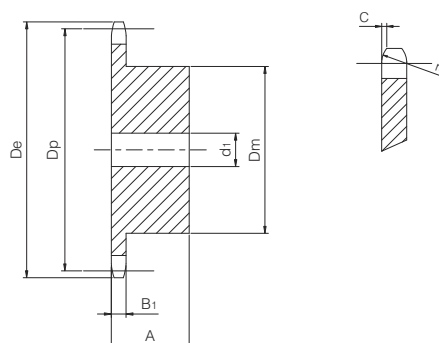
per catene a rulli secondo DIN 8187 - ISO/R 606

ISO 06B-1

Passo 3/8" x 7/32"



PIGNONE	[mm]
Raggio dente r_3	10
Larghezza raggio C	1
Larghezza dente B_1	5,3
CATENA	[mm]
Passo	9,525
Larghezza interna	5,72
Rullo \varnothing	6,35



Z	D_e [mm]	D_p [mm]	D_m [mm]	d_1 [mm]	A [mm]	W [kg]	Codice
8	28,00	24,89	15	8	22	0,03	QPS06B1-008
9	31,00	27,85	18	8	22	0,04	QPS06B1-009
10	34,00	30,82	20	8	22	0,05	QPS06B1-010
11	37,00	33,80	22	8	25	0,08	QPS06B1-011
12	40,00	36,80	25	8	25	0,10	QPS06B1-012
13	43,00	39,79	28	10	25	0,13	QPS06B1-013
14	46,30	42,80	31	10	25	0,16	QPS06B1-014
15	49,30	45,81	34	10	25	0,19	QPS06B1-015
16	52,30	48,82	37	10	28	0,24	QPS06B1-016
17	55,30	51,83	40	10	28	0,28	QPS06B1-017
18	58,30	54,85	43	10	28	0,33	QPS06B1-018
19	61,30	57,87	45	10	28	0,36	QPS06B1-019
20	64,30	60,89	46	10	28	0,39	QPS06B1-020
21	68,00	63,91	48	12	28	0,42	QPS06B1-021
22	71,00	66,93	50	12	28	0,46	QPS06B1-022
23	73,50	69,95	52	12	28	0,50	QPS06B1-023
24	77,00	72,97	54	12	28	0,54	QPS06B1-024
25	80,00	76,02	57	12	28	0,60	QPS06B1-025
26	83,00	79,02	60	12	28	0,66	QPS06B1-026
27	86,00	82,02	60	12	28	0,67	QPS06B1-027
28	89,00	85,07	60	12	28	0,69	QPS06B1-028
29	92,00	88,09	60	12	28	0,70	QPS06B1-029
30	94,70	91,12	60	12	30	0,72	QPS06B1-030
31	98,30	94,15	65	14	30	0,87	QPS06B1-031
32	101,30	97,17	65	14	30	0,89	QPS06B1-032
33	104,30	100,20	65	14	30	0,91	QPS06B1-033
34	107,30	103,23	65	14	30	0,92	QPS06B1-034
35	110,40	106,26	65	14	30	0,95	QPS06B1-035
36	113,40	109,29	70	16	30	1,05	QPS06B1-036
37	116,40	112,32	70	16	30	1,09	QPS06B1-037
38	119,50	115,35	70	14	30	1,10	QPS06B1-038
39	122,50	118,37	70	16	30	1,12	QPS06B1-039
40	125,50	121,40	70	16	30	1,14	QPS06B1-040
45	140,70	136,55	*80	16	32	1,66	QPS06B1-045
50	155,70	151,69	*80	20	32	1,80	QPS06B1-050
57	176,90	172,91	*80	20	32	1,96	QPS06B1-057
76	234,90	230,49	*80	20	32	2,67	QPS06B1-076
95	292,50	288,08	*80	20	32	4,06	QPS06B1-095
114	349,50	345,68	*80	16	32	5,45	QPS06B1-114

Materiale: C45 (Fe360B con $Z \geq 45$)

* = Mozzo saldato

D_e	Diametro esterno	mm
D_p	Diametro primitivo	mm
D_m	Diametro mozzo	mm
W	Peso	kg

Pignone semplice

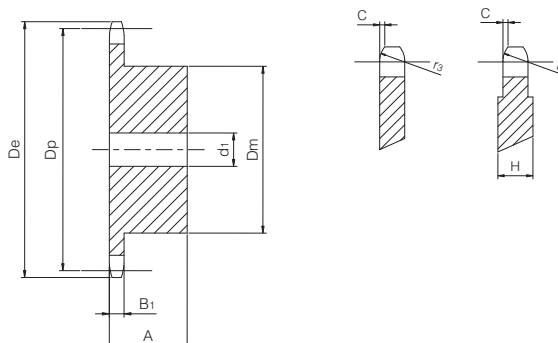
per catene a rulli secondo DIN 8187 - ISO/R 606

ISO 81-1

Passo 1/2" x 1/8"



PIGNONE	[mm]
Raggio dente r_3	13
Larghezza raggio C	1
Larghezza dente B_1	3
Larghezza H (con $Z \geq 31$)	5
CATENA	[mm]
Passo	12,7
Larghezza interna	3,3
Rullo \varnothing	7,75



Z	De [mm]	Dp [mm]	Dm [mm]	d1 [mm]	A [mm]	W [kg]	Codice
8	37,20	33,18	21	8	14	0,04	QPS81-1-008
9	41,50	37,13	25	8	14	0,06	QPS81-1-009
10	46,20	41,10	28	8	14	0,07	QPS81-1-010
11	49,60	45,07	31	8	16	0,10	QPS81-1-011
12	53,90	49,07	35	8	16	0,13	QPS81-1-012
13	58,40	53,06	39	8	16	0,16	QPS81-1-013
14	62,80	57,07	43	8	16	0,19	QPS81-1-014
15	66,80	61,09	47	8	16	0,23	QPS81-1-015
16	70,90	65,10	50	10	18	0,29	QPS81-1-016
17	74,90	69,11	50	10	18	0,30	QPS81-1-017
18	78,90	73,14	50	10	18	0,31	QPS81-1-018
19	82,90	77,16	50	10	18	0,32	QPS81-1-019
20	86,90	81,19	50	10	18	0,33	QPS81-1-020
21	91,00	85,22	60	12	20	0,48	QPS81-1-021
22	95,00	89,24	60	12	20	0,49	QPS81-1-022
23	99,00	93,27	60	12	20	0,51	QPS81-1-023
24	103,00	97,29	60	12	20	0,52	QPS81-1-024
25	107,10	101,33	60	12	20	0,53	QPS81-1-025
26	111,20	105,36	70	16	20	0,67	QPS81-1-026
27	115,40	109,40	70	16	20	0,69	QPS81-1-027
28	119,40	113,42	70	16	20	0,70	QPS81-1-028
29	123,40	117,46	70	16	20	0,72	QPS81-1-029
30	127,50	121,50	70	16	20	0,74	QPS81-1-030
31	131,50	125,54	70	16	20	0,76	QPS81-1-031
32	135,50	129,56	70	16	20	0,77	QPS81-1-032
33	139,60	133,60	70	16	20	0,79	QPS81-1-033
34	143,60	137,64	70	16	20	0,81	QPS81-1-034
35	147,60	141,68	70	16	20	0,83	QPS81-1-035
36	151,70	145,72	70	16	25	1,00	QPS81-1-036
37	155,70	149,76	70	16	25	1,02	QPS81-1-037
38	159,80	153,80	70	16	25	1,04	QPS81-1-038
39	163,80	157,83	70	16	25	1,06	QPS81-1-039
40	167,80	161,87	70	16	25	1,09	QPS81-1-040

Materiale: C45

D_e	Diametro esterno	mm
D_p	Diametro primitivo	mm
D_m	Diametro mozzo	mm
W	Peso	kg

Pignone semplice

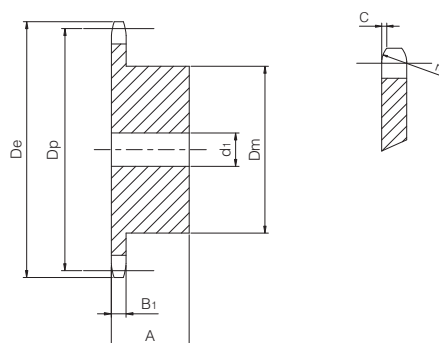
per catene a rulli secondo DIN 8187 - ISO/R 606

ISO 83-1

Passo 1/2" x 3/16"



PIGNONE	[mm]
Raggio dente r_3	13
Larghezza raggio C	1,3
Larghezza dente B_1	4,5
CATENA	[mm]
Passo	12,7
Larghezza interna	4,88
Rullo \varnothing	7,75



Z	D_e [mm]	D_p [mm]	D_m [mm]	d_1 [mm]	A [mm]	W [kg]	Codice
8	38,50	33,18	21	8	14	0,04	QPS83-1-008
9	41,50	37,13	25	8	14	0,06	QPS83-1-009
10	46,20	41,10	28	8	14	0,08	QPS83-1-010
11	49,60	45,07	31	8	16	0,11	QPS83-1-011
12	53,90	49,07	35	8	16	0,14	QPS83-1-012
13	58,40	53,06	39	8	16	0,17	QPS83-1-013
14	62,80	57,07	43	8	16	0,20	QPS83-1-014
15	66,80	61,09	47	8	16	0,24	QPS83-1-015
16	70,90	65,10	50	10	18	0,30	QPS83-1-016
17	74,90	69,11	50	10	18	0,31	QPS83-1-017
18	78,90	73,14	50	10	18	0,33	QPS83-1-018
19	82,90	77,16	50	10	18	0,34	QPS83-1-019
20	86,90	81,19	50	10	18	0,36	QPS83-1-020
21	91,00	85,22	60	12	20	0,51	QPS83-1-021
22	95,00	89,24	60	12	20	0,53	QPS83-1-022
23	99,00	93,27	60	12	20	0,55	QPS83-1-023
24	103,00	97,29	60	12	20	0,57	QPS83-1-024
25	107,10	101,33	60	12	20	0,59	QPS83-1-025
26	111,20	105,36	70	16	20	0,72	QPS83-1-026
27	115,40	109,40	70	16	20	0,74	QPS83-1-027
28	119,40	113,42	70	16	20	0,77	QPS83-1-028
29	123,40	117,46	70	16	20	0,79	QPS83-1-029
30	127,50	121,50	70	16	20	0,82	QPS83-1-030
31	131,50	125,54	70	16	20	0,85	QPS83-1-031
32	135,50	129,56	70	16	20	0,87	QPS83-1-032
33	139,60	133,60	70	16	20	0,90	QPS83-1-033
34	143,60	137,64	70	16	20	0,93	QPS83-1-034
35	147,60	141,68	70	16	20	0,96	QPS83-1-035
36	151,70	145,72	70	16	25	1,14	QPS83-1-036
37	155,70	149,76	70	16	25	1,17	QPS83-1-037
38	159,80	153,80	70	16	25	1,20	QPS83-1-038
39	163,80	157,83	70	16	25	1,24	QPS83-1-039
40	167,80	161,87	70	16	25	1,27	QPS83-1-040

Materiale: C45

D_e	Diametro esterno	mm
D_p	Diametro primitivo	mm
D_m	Diametro mozzo	mm
W	Peso	kg

Pignone semplice

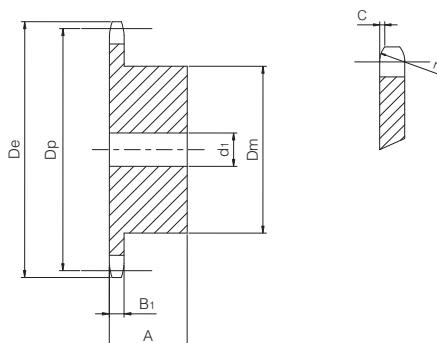
per catene a rulli secondo DIN 8187 - ISO/R 606

ISO 08B-1

Passo 1/2" x 5/16"



PIGNONE	[mm]
Raggio dente r_3	13
Larghezza raggio C	1,3
Larghezza dente B_1	7,2
CATENA	[mm]
Passo	12,7
Larghezza interna	7,75
Rullo \varnothing	8,51



Z	D_e [mm]	D_p [mm]	D_m [mm]	d_1 [mm]	A [mm]	W [kg]	Codice
8	37,00	33,18	20	10	25	0,06	QPS08B1-008
9	41,00	37,13	24	10	25	0,09	QPS08B1-009
10	45,20	41,10	26	10	25	0,12	QPS08B1-010
11	48,70	45,07	29	10	25	0,15	QPS08B1-011
12	53,00	49,07	33	10	28	0,21	QPS08B1-012
13	57,40	53,06	37	10	28	0,26	QPS08B1-013
14	61,80	57,07	41	10	28	0,32	QPS08B1-014
15	65,50	61,09	45	10	28	0,38	QPS08B1-015
16	69,50	65,10	50	12	28	0,46	QPS08B1-016
17	73,60	69,11	52	12	28	0,51	QPS08B1-017
18	77,80	73,14	56	12	28	0,59	QPS08B1-018
19	81,70	77,16	60	12	28	0,67	QPS08B1-019
20	85,80	81,19	64	12	28	0,76	QPS08B1-020
21	89,70	85,22	68	12	28	0,85	QPS08B1-021
22	93,80	89,24	70	12	28	0,91	QPS08B1-022
23	98,20	93,27	70	14	28	0,95	QPS08B1-023
24	101,80	97,29	70	14	28	0,98	QPS08B1-024
25	105,80	101,33	70	14	28	1,01	QPS08B1-025
26	110,00	105,36	70	16	30	1,09	QPS08B1-026
27	114,00	109,40	70	16	30	1,13	QPS08B1-027
28	118,00	113,42	70	16	30	1,17	QPS08B1-028
29	122,00	117,46	80	16	30	1,42	QPS08B1-029
30	126,10	121,50	80	16	30	1,46	QPS08B1-030
31	130,20	125,54	90	16	30	1,74	QPS08B1-031
32	134,30	129,56	90	16	30	1,78	QPS08B1-032
33	138,40	133,60	90	16	30	1,83	QPS08B1-033
34	142,60	137,64	90	16	30	1,88	QPS08B1-034
35	146,70	141,68	90	16	30	1,93	QPS08B1-035
36	151,00	145,72	90	16	35	2,22	QPS08B1-036
37	154,60	149,76	90	16	35	2,27	QPS08B1-037
38	158,60	153,80	90	16	35	2,32	QPS08B1-038
39	162,70	157,83	90	16	35	2,38	QPS08B1-039
40	166,80	161,87	90	16	35	2,43	QPS08B1-040
45	188,00	182,07	*90	16	40	3,00	QPS08B1-045
50	208,30	202,26	*90	16	40	3,40	QPS08B1-050
57	236,40	230,54	*90	16	40	3,85	QPS08B1-057
76	313,30	307,32	*90	16	40	5,56	QPS08B1-076
95	390,10	384,11	*90	16	40	8,56	QPS08B1-095
114	466,90	460,91	*90	16	40	11,56	QPS08B1-114

Materiale: C45 (Fe360B con $Z \geq 45$)

* = Mozzo saldato

D_e	Diametro esterno	mm
D_p	Diametro primitivo	mm
D_m	Diametro mozzo	mm
W	Peso	kg

Pignone semplice

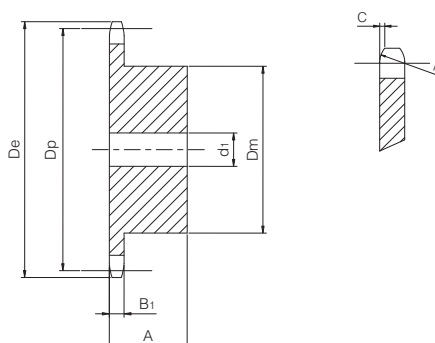
per catene a rulli secondo DIN 8187 - ISO/R 606

ISO 10B-1

Passo 5/8" x 3/8"



PIGNONE	[mm]
Raggio dente r_3	16
Larghezza raggio C	1,6
Larghezza dente B_1	9,1
CATENA	[mm]
Passo	15,875
Larghezza interna	9,65
Rullo \varnothing	10,16



Z	D_e [mm]	D_p [mm]	D_m [mm]	d_1 [mm]	A [mm]	W [kg]	Codice
8	47,00	41,48	25	10	25	0,12	QPS10B1-008
9	52,60	46,42	30	10	25	0,16	QPS10B1-009
10	57,50	51,37	35	10	25	0,22	QPS10B1-010
11	63,00	56,34	37	12	30	0,29	QPS10B1-011
12	68,00	61,34	42	12	30	0,37	QPS10B1-012
13	73,00	66,32	47	12	30	0,46	QPS10B1-013
14	78,00	71,34	52	12	30	0,56	QPS10B1-014
15	83,00	76,36	57	12	30	0,67	QPS10B1-015
16	88,00	81,37	60	12	30	0,76	QPS10B1-016
17	93,00	86,39	60	12	30	0,88	QPS10B1-017
18	98,30	91,42	70	14	30	1,01	QPS10B1-018
19	103,30	96,45	70	14	30	1,15	QPS10B1-019
20	108,40	101,49	75	14	30	1,21	QPS10B1-020
21	113,40	106,52	75	16	30	1,35	QPS10B1-021
22	118,00	111,55	80	16	30	1,41	QPS10B1-022
23	123,50	116,58	80	16	30	1,47	QPS10B1-023
24	128,30	121,62	80	16	30	1,54	QPS10B1-024
25	134,00	126,66	80	16	30	1,60	QPS10B1-025
26	139,00	131,70	85	20	35	1,96	QPS10B1-026
27	144,00	136,75	85	20	35	2,04	QPS10B1-027
28	148,70	141,78	90	20	35	2,25	QPS10B1-028
29	153,80	146,83	90	20	35	2,33	QPS10B1-029
30	158,80	151,87	90	20	35	2,41	QPS10B1-030
31	163,90	156,92	95	20	35	2,64	QPS10B1-031
32	168,90	161,95	95	20	35	2,73	QPS10B1-032
33	174,50	167,00	95	20	35	2,82	QPS10B1-033
34	179,00	172,05	95	20	35	2,92	QPS10B1-034
35	184,10	177,10	95	20	35	3,01	QPS10B1-035
36	189,10	182,15	100	20	35	3,27	QPS10B1-036
37	194,20	187,20	100	20	35	3,37	QPS10B1-037
38	199,20	192,24	100	20	35	3,47	QPS10B1-038
39	204,20	197,29	100	20	35	3,58	QPS10B1-039
40	209,30	202,34	100	20	35	3,69	QPS10B1-040
45	235,00	227,58	*100	20	40	5,09	QPS10B1-045
50	260,30	252,82	*100	20	40	5,80	QPS10B1-050
57	296,00	288,18	*100	20	40	6,66	QPS10B1-057
76	392,10	384,15	*100	20	50	10,28	QPS10B1-076
95	488,50	480,14	*100	20	50	16,36	QPS10B1-095
114	584,10	576,13	*100	20	50	22,44	QPS10B1-114

Materiale: C45 (Fe360B con $Z \geq 45$)

* = Mozzo saldato

D_e	Diametro esterno	mm
D_p	Diametro primitivo	mm
D_m	Diametro mozzo	mm
W	Peso	kg

Pignone semplice

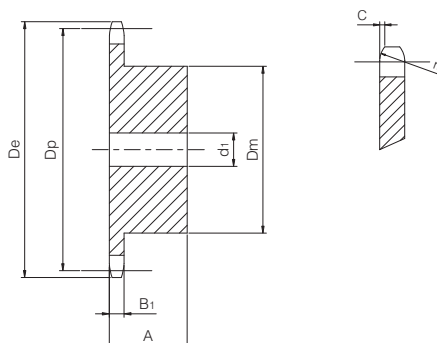
per catene a rulli secondo DIN 8187 - ISO/R 606

ISO 12B-1

Passo 3/4" x 7/16"



PIGNONE		[mm]
Raggio dente r_3	19	
Larghezza raggio C	2	
Larghezza dente B_1	11,1	
CATENA		[mm]
Passo	19,05	
Larghezza interna	11,68	
Rullo \varnothing	12,07	



Z	D_e [mm]	D_p [mm]	D_m [mm]	d_1 [mm]	A [mm]	W [kg]	Codice
8	57,30	49,78	31	12	30	0,21	QPS12B1-008
9	62,00	55,70	37	12	30	0,29	QPS12B1-009
10	69,00	61,64	42	12	30	0,38	QPS12B1-010
11	75,00	67,61	46	14	35	0,51	QPS12B1-011
12	81,50	73,60	52	14	35	0,65	QPS12B1-012
13	87,50	79,59	58	14	35	0,80	QPS12B1-013
14	93,60	85,61	64	14	35	0,97	QPS12B1-014
15	99,80	91,63	70	14	35	1,16	QPS12B1-015
16	105,50	97,65	75	16	35	1,34	QPS12B1-016
17	111,50	103,67	80	16	35	1,53	QPS12B1-017
18	118,00	109,71	80	16	35	1,62	QPS12B1-018
19	124,20	115,75	80	16	35	1,70	QPS12B1-019
20	129,70	121,78	80	16	35	1,80	QPS12B1-020
21	136,00	127,82	90	20	40	2,35	QPS12B1-021
22	141,00	133,86	90	20	40	2,46	QPS12B1-022
23	149,00	139,90	90	20	40	2,56	QPS12B1-023
24	153,90	145,94	90	20	40	2,68	QPS12B1-024
25	160,00	152,00	90	20	40	2,80	QPS12B1-025
26	165,90	158,04	95	20	40	3,08	QPS12B1-026
27	172,30	164,09	95	20	40	3,21	QPS12B1-027
28	178,00	170,13	95	20	40	3,34	QPS12B1-028
29	184,10	176,19	95	20	40	3,48	QPS12B1-029
30	190,50	182,25	95	20	40	3,63	QPS12B1-030
31	196,30	188,31	100	20	40	3,78	QPS12B1-031
32	203,30	194,35	100	20	40	3,93	QPS12B1-032
33	209,30	200,40	100	20	40	4,09	QPS12B1-033
34	214,60	206,46	100	20	40	4,25	QPS12B1-034
35	221,00	212,52	100	20	40	4,42	QPS12B1-035
36	226,80	218,58	100	20	40	4,71	QPS12B1-036
37	232,90	224,64	100	20	40	4,89	QPS12B1-037
38	239,00	230,69	100	20	40	5,07	QPS12B1-038
39	245,10	236,75	100	20	40	5,26	QPS12B1-039
40	251,30	242,81	100	20	40	5,46	QPS12B1-040
45	282,50	273,09	*110	20	56	8,85	QPS12B1-045
50	312,30	303,39	*110	20	56	10,00	QPS12B1-050
57	355,40	345,81	*110	20	56	11,85	QPS12B1-057
76	469,90	460,98	*110	20	56	18,02	QPS12B1-076
95	585,10	576,17	*110	20	56	27,45	QPS12B1-095
114	700,60	691,36	*110	20	56	36,88	QPS12B1-114

Materiale: C45 (Fe360B con $Z \geq 45$)

* = Mozzo saldato

D_e	Diametro esterno	mm
D_p	Diametro primitivo	mm
D_m	Diametro mozzo	mm
W	Peso	kg

Pignone semplice

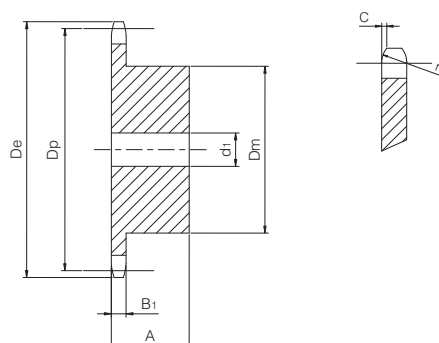
per catene a rulli secondo DIN 8187 - ISO/R 606

ISO 16B-1

Passo 1" x 17,02 mm



PIGNONE	[mm]
Raggio dente r_3	26
Larghezza raggio C	2,5
Larghezza dente B_1	16,2
CATENA	[mm]
Passo	25,4
Larghezza interna	17,02
Rullo \varnothing	15,88



Z	De [mm]	Dp [mm]	Dm [mm]	d1 [mm]	A [mm]	W [kg]	Codice
8	77,00	66,37	42	16	35	0,47	QPS16B1-008
9	85,00	74,27	50	16	35	0,66	QPS16B1-009
10	93,00	82,19	55	16	35	0,83	QPS16B1-010
11	101,50	90,14	61	16	40	1,14	QPS16B1-011
12	109,00	98,14	69	16	40	1,43	QPS16B1-012
13	117,00	106,12	78	16	40	1,77	QPS16B1-013
14	125,00	114,15	84	16	40	2,08	QPS16B1-014
15	133,00	122,17	92	16	40	2,46	QPS16B1-015
16	141,00	130,20	100	20	45	3,14	QPS16B1-016
17	149,00	138,22	100	20	45	3,33	QPS16B1-017
18	157,00	146,28	100	20	45	3,56	QPS16B1-018
19	165,20	154,33	100	20	45	3,78	QPS16B1-019
20	173,20	162,38	100	20	45	4,03	QPS16B1-020
21	181,20	170,43	110	20	50	5,01	QPS16B1-021
22	189,30	178,48	110	20	50	5,28	QPS16B1-022
23	197,50	186,53	110	20	50	5,56	QPS16B1-023
24	205,50	194,59	110	20	50	5,86	QPS16B1-024
25	213,50	202,66	110	20	50	6,16	QPS16B1-025
26	221,60	210,72	120	20	50	6,96	QPS16B1-026
27	229,60	218,79	120	20	50	7,30	QPS16B1-027
28	237,70	226,85	120	20	50	7,64	QPS16B1-028
29	245,80	234,92	120	20	50	8,00	QPS16B1-029
30	254,00	243,00	120	20	50	8,38	QPS16B1-030
31	262,00	251,08	*120	25	50	8,69	QPS16B1-031
32	270,00	259,13	*120	25	50	9,09	QPS16B1-032
33	278,50	267,21	*120	25	50	9,50	QPS16B1-033
34	287,00	275,28	*120	25	50	9,93	QPS16B1-034
35	296,20	283,36	*120	25	50	10,36	QPS16B1-035
36	304,60	291,44	*120	25	50	10,81	QPS16B1-036
37	312,60	299,51	*120	25	50	11,28	QPS16B1-037
38	320,70	307,59	*120	25	50	11,76	QPS16B1-038
39	328,80	315,67	*120	25	50	12,25	QPS16B1-039
40	336,90	323,75	*120	25	50	12,75	QPS16B1-040
45	377,10	364,12	*125	25	70	18,15	QPS16B1-045
50	417,40	404,52	*125	25	70	25,00	QPS16B1-050
57	474,00	461,08	*125	25	70	25,52	QPS16B1-057
76	627,00	614,64	*140	25	80	42,97	QPS16B1-076
95	781,10	768,22	*140	25	80	63,92	QPS16B1-095
114	934,30	921,81	*140	25	80	84,87	QPS16B1-114

Materiale: C45 (Fe360B con $Z \geq 31$)

* = Mozzo saldato

D_e	Diametro esterno	mm
D_p	Diametro primitivo	mm
D_m	Diametro mozzo	mm
W	Peso	kg

Pignone semplice

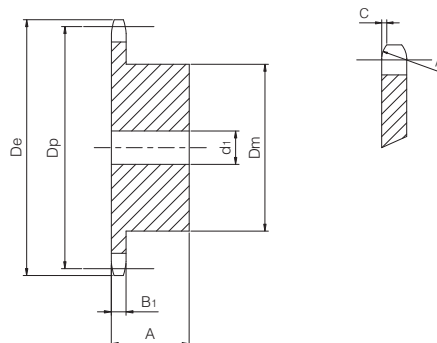
per catene a rulli secondo DIN 8187 - ISO/R 606



ISO 20B-1

Passo 1" 1/4 x 3/4"

PIGNONE	[mm]
Raggio dente r_3	32
Larghezza raggio C	3,5
Larghezza dente B_1	18,5
CATENA	[mm]
Passo	31,75
Larghezza interna	19,56
Rullo \varnothing	19,05



Z	De [mm]	Dp [mm]	Dm [mm]	d1 [mm]	A [mm]	W [kg]	Codice
8	98,10	82,96	53	20	40	0,85	QPS20B1-008
9	108,00	92,84	63	20	40	1,19	QPS20B1-009
10	117,90	102,74	70	20	40	1,51	QPS20B1-010
11	127,80	112,68	77	20	45	2,04	QPS20B1-011
12	137,80	122,68	88	20	45	2,58	QPS20B1-012
13	147,80	132,65	98	20	45	3,15	QPS20B1-013
14	157,80	142,68	108	20	45	3,78	QPS20B1-014
15	167,90	152,72	118	20	45	4,47	QPS20B1-015
16	177,90	162,75	120	25	50	5,25	QPS20B1-016
17	187,90	172,78	120	25	50	5,61	QPS20B1-017
18	198,00	182,85	120	25	50	6,00	QPS20B1-018
19	208,10	192,91	120	25	50	6,40	QPS20B1-019
20	218,10	202,98	120	25	50	6,84	QPS20B1-020
21	228,20	213,04	140	25	55	8,79	QPS20B1-021
22	238,30	223,11	140	25	55	9,27	QPS20B1-022
23	248,30	233,17	140	25	55	9,77	QPS20B1-023
24	258,40	243,23	140	25	55	10,30	QPS20B1-024
25	268,50	253,33	140	25	55	10,85	QPS20B1-025
26	278,60	263,40	*150	25	55	12,07	QPS20B1-026
27	288,60	273,49	*150	25	55	12,67	QPS20B1-027
28	298,70	283,56	*150	25	55	13,29	QPS20B1-028
29	308,80	293,65	*150	25	55	13,93	QPS20B1-029
30	318,90	303,75	*150	25	55	14,60	QPS20B1-030
31	329,00	313,85	*150	25	55	15,28	QPS20B1-031
32	339,10	323,91	*150	25	55	16,00	QPS20B1-032
33	349,20	334,01	*150	25	55	16,73	QPS20B1-033
34	359,30	344,10	*150	25	55	17,49	QPS20B1-034
35	369,40	354,20	*150	25	55	18,27	QPS20B1-035
36	379,50	364,30	*150	25	55	19,08	QPS20B1-036
37	389,50	374,39	*150	25	55	19,91	QPS20B1-037
38	399,60	384,49	*150	25	55	20,76	QPS20B1-038
39	409,70	394,59	150	25	55	21,73	QPS20B1-039
40	419,80	404,69	*150	25	55	22,53	QPS20B1-040
45	470,30	455,17	*150	25	70	31,79	QPS20B1-045
50	520,80	505,65	*150	25	70	39,00	QPS20B1-050
57	591,50	576,35	*150	25	80	45,79	QPS20B1-057
76	783,50	768,32	*150	25	80	75,81	QPS20B1-076

Materiale: C45 (Fe360B con $Z \geq 26$)

* = Mozzo saldato

D_e	Diametro esterno	mm
D_p	Diametro primitivo	mm
D_m	Diametro mozzo	mm
W	Peso	kg

Pignone semplice

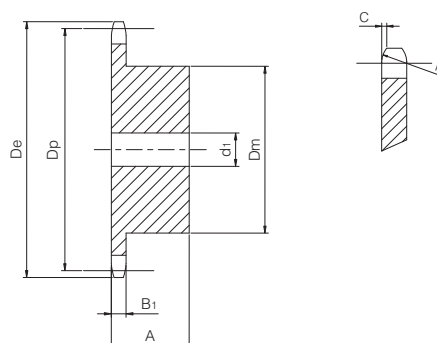
per catene a rulli secondo DIN 8187 - ISO/R 606

ISO 24B-1

Passo 1" 1/2 x 1"



PIGNONE	[mm]
Raggio dente r_3	38
Larghezza raggio C	4
Larghezza dente B_1	24,1
CATENA	[mm]
Passo	38,1
Larghezza interna	25,4
Rullo \varnothing	25,4



Z	D_e [mm]	D_p [mm]	D_m [mm]	d_1 [mm]	A [mm]	W [kg]	Codice
8	115,00	99,55	58	20	45	1,38	QPS24B1-008
9	126,40	111,40	70	20	45	1,90	QPS24B1-009
10	138,00	123,29	80	20	45	2,47	QPS24B1-010
11	150,00	135,21	90	25	50	3,27	QPS24B1-011
12	162,00	147,22	102	25	50	4,09	QPS24B1-012
13	174,20	159,18	114	25	50	5,00	QPS24B1-013
14	186,20	171,22	128	25	50	6,09	QPS24B1-014
15	198,20	183,26	140	25	50	6,84	QPS24B1-015
16	210,30	195,30	*140	25	55	8,20	QPS24B1-016
17	222,30	207,34	*140	25	55	8,87	QPS24B1-017
18	234,30	219,42	*140	25	55	9,59	QPS24B1-018
19	246,50	231,49	*140	25	55	10,36	QPS24B1-019
20	258,60	243,57	*140	25	55	11,16	QPS24B1-020
21	270,60	255,65	*150	25	60	13,35	QPS24B1-021
22	282,70	267,73	*150	25	60	14,24	QPS24B1-022
23	294,80	279,80	*150	25	60	15,18	QPS24B1-023
24	306,80	291,88	*150	25	60	16,16	QPS24B1-024
25	319,00	304,00	*150	25	60	17,19	QPS24B1-025
26	331,00	316,08	*160	30	60	18,25	QPS24B1-026
27	343,20	328,19	*160	30	60	19,37	QPS24B1-027
28	355,20	340,27	*160	30	60	20,52	QPS24B1-028
29	367,30	352,38	*160	30	60	21,72	QPS24B1-029
30	379,50	364,50	*160	30	60	22,97	QPS24B1-030
31	391,60	376,62	*160	30	60	24,25	QPS24B1-031
32	403,70	388,69	*160	30	60	25,59	QPS24B1-032
33	415,80	400,81	*160	30	60	26,96	QPS24B1-033
34	427,80	412,93	*160	30	60	28,38	QPS24B1-034
35	440,00	425,04	*160	30	60	29,84	QPS24B1-035
36	452,00	437,16	*160	30	60	31,34	QPS24B1-036
37	464,20	449,27	*160	30	60	32,90	QPS24B1-037
38	476,20	461,39	*160	30	60	34,49	QPS24B1-038
39	488,50	473,50	*160	30	60	36,15	QPS24B1-039
40	500,60	485,62	*160	30	60	37,81	QPS24B1-040
45	561,20	546,19	*160	30	90	54,08	QPS24B1-045
50	621,70	606,78	*160	30	90	67,00	QPS24B1-050
57	706,50	691,63	*170	30	100	80,28	QPS24B1-057

Materiale: C45 (Fe360B con $Z \geq 16$)

* = Mozzo saldato

D_e	Diametro esterno	mm
D_p	Diametro primitivo	mm
D_m	Diametro mozzo	mm
W	Peso	kg

Pignone semplice

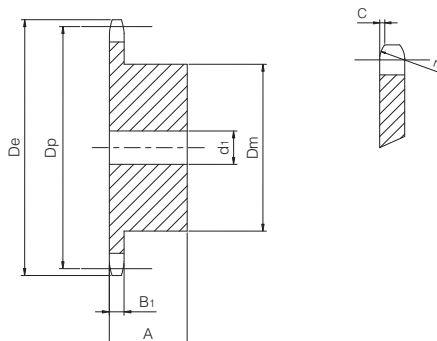
per catene a rulli secondo DIN 8187 - ISO/R 606

ISO 28B-1

Passo 1" 3/4 x 1" 1/4



PIGNONE	[mm]
Raggio dente r_3	44
Larghezza raggio C	5
Larghezza dente B_1	29,4
CATENA	[mm]
Passo	44,45
Larghezza interna	30,99
Rullo \varnothing	27,94



Z	D_e [mm]	D_p [mm]	D_m [mm]	d_1 [mm]	A [mm]	W [kg]	Codice
8	132,00	116,15	74	25	70	2,86	QPS28B1-008
9	148,40	129,96	88	25	70	4,00	QPS28B1-009
10	162,30	143,85	100	25	70	5,18	QPS28B1-010
11	176,30	157,77	112	25	70	6,51	QPS28B1-011
12	189,50	171,74	125	25	70	8,04	QPS28B1-012
13	204,20	185,74	*125	25	70	8,88	QPS28B1-013
14	218,20	199,76	*125	25	70	9,79	QPS28B1-014
15	232,30	213,79	*125	25	70	10,77	QPS28B1-015
16	246,30	227,84	*160	30	75	14,96	QPS28B1-016
17	260,00	241,91	*160	30	75	16,09	QPS28B1-017
18	274,00	255,98	*160	30	75	17,28	QPS28B1-018
19	289,00	270,06	*160	30	75	18,56	QPS28B1-019
20	303,00	284,15	*160	30	75	19,90	QPS28B1-020
21	317,00	298,24	*160	30	75	21,31	QPS28B1-021
22	331,00	312,34	*160	30	75	22,80	QPS28B1-022
23	345,00	326,44	*160	30	75	24,36	QPS28B1-023
24	359,00	340,55	*160	30	75	26,00	QPS28B1-024
25	373,00	354,66	*160	30	75	27,70	QPS28B1-025
26	387,00	368,77	*160	30	75	29,48	QPS28B1-026
27	401,40	382,88	*160	30	75	31,36	QPS28B1-027
28	416,00	397,00	*160	30	75	33,26	QPS28B1-028
29	430,00	411,12	*160	30	75	35,30	QPS28B1-029
30	444,00	425,24	*160	30	75	37,33	QPS28B1-030
31	458,00	439,37	*180	30	75	40,46	QPS28B1-031
32	472,00	453,49	*180	30	75	43,59	QPS28B1-032
33	486,00	467,62	*180	30	75	45,92	QPS28B1-033
34	500,00	481,75	*180	30	75	48,24	QPS28B1-034
35	514,00	495,88	*180	30	75	50,57	QPS28B1-035
36	529,00	510,01	*180	30	75	53,18	QPS28B1-036
37	543,00	524,14	*180	30	75	55,79	QPS28B1-037
38	557,00	538,27	*180	30	75	58,40	QPS28B1-038
39	571,00	552,40	*180	30	75	61,16	QPS28B1-039
40	585,00	566,54	*180	30	75	63,92	QPS28B1-040

Materiale: C45 (Fe360B con $Z \geq 13$)

* = Mozzo saldato

D_e	Diametro esterno	mm
D_p	Diametro primitivo	mm
D_m	Diametro mozzo	mm
W	Peso	kg

Pignone semplice

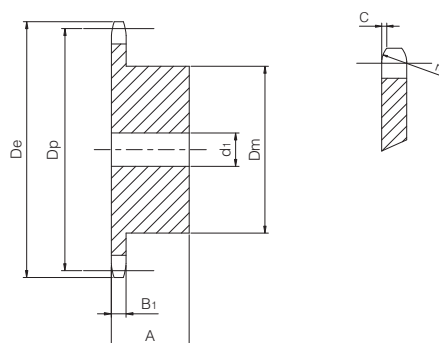
per catene a rulli secondo DIN 8187 - ISO/R 606

ISO 32B-1

Passo 2" x 1" 1/4



PIGNONE	[mm]
Raggio dente r_3	51
Larghezza raggio C	6
Larghezza dente B_1	29,4
CATENA	[mm]
Passo	50,8
Larghezza interna	30,99
Rullo \varnothing	29,21



Z	D_e [mm]	D_p [mm]	D_m [mm]	d_1 [mm]	A [mm]	W [kg]	Codice
8	153,00	132,69	82	25	80	4,20	QPS32B1-008
9	169,00	148,54	88	25	80	5,78	QPS32B1-009
10	185,00	164,44	104	25	80	7,60	QPS32B1-010
11	200,80	180,34	120	30	80	9,26	QPS32B1-011
12	216,80	196,29	*133	30	80	10,91	QPS32B1-012
13	232,80	212,29	*145	30	80	13,05	QPS32B1-013
14	248,80	228,29	*145	30	80	14,25	QPS32B1-014
15	264,80	244,30	*145	30	80	15,53	QPS32B1-015
16	280,90	260,40	*160	30	90	19,87	QPS32B1-016
17	296,90	276,40	*160	30	90	21,35	QPS32B1-017
18	313,00	292,55	*160	30	90	22,92	QPS32B1-018
19	329,10	308,66	*160	30	90	24,53	QPS32B1-019
20	345,20	324,71	*180	30	90	28,50	QPS32B1-020
21	361,30	340,82	*180	30	90	30,36	QPS32B1-021
22	377,50	356,98	*180	30	90	32,31	QPS32B1-022
23	393,60	373,08	*180	30	90	34,36	QPS32B1-023
24	409,70	389,18	*180	30	90	36,50	QPS32B1-024
25	425,80	405,33	*180	30	90	38,74	QPS32B1-025
26	441,90	421,44	*180	30	90	41,07	QPS32B1-026
27	458,10	437,59	*180	30	90	43,54	QPS32B1-027
28	474,20	453,69	*180	30	90	46,01	QPS32B1-028
29	490,40	469,90	*180	30	90	48,68	QPS32B1-029
30	506,50	486,00	*180	30	90	51,34	QPS32B1-030
32	538,80	518,26	*180	30	90	59,89	QPS32B1-032
35	589,50	566,72	*180	30	90	69,16	QPS32B1-035
38	635,50	615,14	*180	30	90	79,28	QPS32B1-038
40	670,30	647,49	*180	30	90	86,50	QPS32B1-040

Materiale: C45 (Fe360B con $Z \geq 12$)

* = Mozzo saldato

D_e	Diametro esterno	mm
D_p	Diametro primitivo	mm
D_m	Diametro mozzo	mm
W	Peso	kg

PIGNONI DOPPI

Pignone doppio

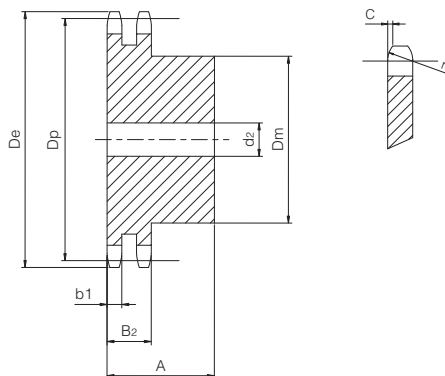
per catene a rulli secondo DIN 8187 - ISO/R 606



ISO 05B-2

Passo 8 x 3 mm

PIGNONE	[mm]
Raggio dente r_3	8
Larghezza raggio C	1
Larghezza dente b_1	2,7
Larghezza dente B_2	8,3
CATENA	[mm]
Passo	8
Larghezza interna	3
Rullo \varnothing	5



Z	D_e [mm]	D_p [mm]	D_m [mm]	d_2 [mm]	A [mm]	W [kg]	Codice
8	24,00	20,90	12	8	18	0,02	QPD05B2-008
9	26,60	23,39	15	8	18	0,03	QPD05B2-009
10	29,20	25,89	17	8	18	0,03	QPD05B2-010
11	31,70	28,39	19	8	18	0,04	QPD05B2-011
12	34,20	30,91	21	8	18	0,05	QPD05B2-012
13	36,70	33,42	24	8	18	0,07	QPD05B2-013
14	39,20	35,95	26	8	18	0,08	QPD05B2-014
15	41,70	38,48	29	8	18	0,10	QPD05B2-015
16	44,30	41,01	32	10	20	0,13	QPD05B2-016
17	46,80	43,53	34	10	20	0,15	QPD05B2-017
18	49,30	46,07	37	0	20	0,17	QPD05B2-018
19	51,90	48,61	39	10	20	0,20	QPD05B2-019
20	54,40	51,14	40	10	20	0,21	QPD05B2-020
21	57,00	53,68	40	10	20	0,25	QPD05B2-021
22	59,50	56,21	40	10	20	0,26	QPD05B2-022
23	62,00	58,75	40	10	20	0,28	QPD05B2-023
24	64,60	61,29	40	10	20	0,23	QPD05B2-024
25	67,50	63,83	40	10	20	0,31	QPD05B2-025
26	69,50	66,37	50	12	22	0,38	QPD05B2-026
27	72,20	68,91	50	12	22	0,40	QPD05B2-027
28	74,80	71,45	50	12	22	0,42	QPD05B2-028
29	77,30	73,99	50	12	22	0,44	QPD05B2-029
30	79,80	76,53	50	12	22	0,45	QPD05B2-030
31	82,40	79,08	60	12	22	0,52	QPD05B2-031
32	84,90	81,61	60	12	22	0,59	QPD05B2-032
33	87,50	84,16	60	12	22	0,61	QPD05B2-033
34	90,00	86,70	60	12	22	0,63	QPD05B2-034
35	92,50	89,25	60	12	22	0,65	QPD05B2-035
36	95,00	91,79	60	12	22	0,67	QPD05B2-036
37	97,60	94,33	60	12	22	0,69	QPD05B2-037
38	100,20	96,88	60	12	22	0,72	QPD05B2-038
39	102,70	99,42	60	12	22	0,75	QPD05B2-039
40	105,30	101,97	60	12	22	0,77	QPD05B2-040

Materiale: C45

D_e	Diametro esterno	mm
D_p	Diametro primitivo	mm
D_m	Diametro mozzo	mm
W	Peso	kg

Pignone doppio

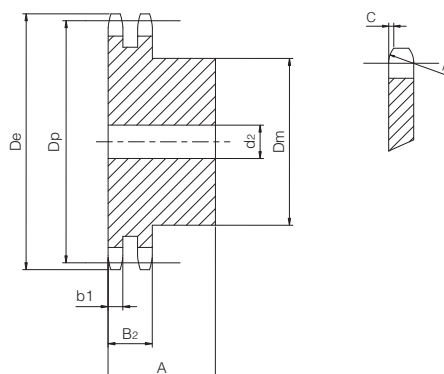
per catene a rulli secondo DIN 8187 - ISO/R 606

ISO 06B-2

Passo 3/8" x 7/32"



PIGNONE	[mm]
Raggio dente r_3	10
Larghezza raggio C	1
Larghezza dente b_1	5,2
Larghezza dente B_2	15,4
CATENA	[mm]
Passo	9,525
Larghezza interna	5,72
Rullo ϕ	6,35



Z	D_e [mm]	D_p [mm]	D_m [mm]	d_2 [mm]	A [mm]	W [kg]	Codice
8	28,00	24,89	15	8	22	0,04	QPD06B2-008
9	31,00	27,85	18	8	22	0,05	QPD06B2-009
10	34,00	30,82	20	8	22	0,07	QPD06B2-010
11	37,00	33,80	22	10	25	0,10	QPD06B2-011
12	40,00	36,80	25	10	25	0,13	QPD06B2-012
13	43,00	39,79	28	10	25	0,16	QPD06B2-013
14	46,30	42,80	31	10	25	0,20	QPD06B2-014
15	49,30	45,81	34	10	25	0,24	QPD06B2-015
16	52,30	48,82	37	12	30	0,27	QPD06B2-016
17	55,30	51,83	40	12	30	0,32	QPD06B2-017
18	58,30	54,85	43	12	30	0,38	QPD06B2-018
19	61,30	57,87	46	12	30	0,42	QPD06B2-019
20	64,30	60,89	49	12	30	0,48	QPD06B2-020
21	68,00	63,91	52	12	30	0,52	QPD06B2-021
22	71,00	66,93	55	12	30	0,58	QPD06B2-022
23	73,50	69,95	58	12	30	0,64	QPD06B2-023
24	77,00	72,97	61	12	30	0,71	QPD06B2-024
25	80,00	76,02	64	12	30	0,79	QPD06B2-025
26	83,00	79,02	67	12	30	0,87	QPD06B2-026
27	86,00	82,02	70	12	30	0,94	QPD06B2-027
28	89,00	85,07	73	12	30	1,03	QPD06B2-028
29	92,00	88,09	76	12	30	1,11	QPD06B2-029
30	94,70	91,12	79	12	30	1,20	QPD06B2-030
31	98,30	94,15	80	16	30	1,27	QPD06B2-031
32	101,30	97,17	80	16	30	1,32	QPD06B2-032
33	104,30	100,20	80	16	30	1,37	QPD06B2-033
34	107,30	103,23	80	16	30	1,43	QPD06B2-034
35	110,40	106,26	80	16	30	1,49	QPD06B2-035
36	113,40	109,29	90	16	30	1,70	QPD06B2-036
37	116,40	112,32	90	16	30	1,76	QPD06B2-037
38	119,50	115,35	90	16	30	1,81	QPD06B2-038
39	122,50	118,37	90	16	30	1,88	QPD06B2-039
40	125,50	121,40	90	16	30	1,95	QPD06B2-040
45	140,70	136,55	*90	16	40	3,15	QPD06B2-045
50	155,70	151,69	*90	16	40	3,50	QPD06B2-050
57	176,90	172,91	*90	16	40	4,16	QPD06B2-057
76	234,90	230,49	*90	16	40	6,23	QPD06B2-076
95	292,50	288,08	*90	16	40	9,76	QPD06B2-095
114	349,50	345,68	*90	16	40	13,29	QPD06B2-114

Materiale: C45 (Fe360B con $Z \geq 45$)

* = Mozzo saldato

D_e	Diametro esterno	mm
D_p	Diametro primitivo	mm
D_m	Diametro mozzo	mm
W	Peso	kg

Pignone doppio

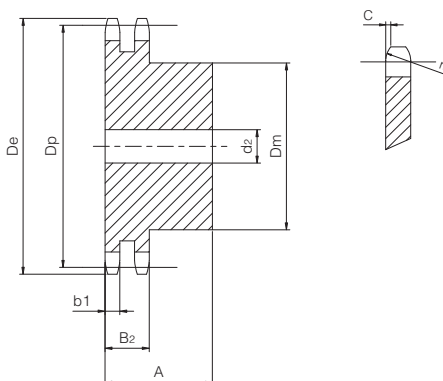
per catene a rulli secondo DIN 8187 - ISO/R 606

ISO 08B-2

Passo 1/2" x 5/16"



PIGNONE	[mm]
Raggio dente r_3	13
Larghezza raggio C	1,3
Larghezza dente b_1	7
Larghezza dente B_2	21
CATENA	[mm]
Passo	12,7
Larghezza interna	7,75
Rullo \varnothing	8,51



Z	D _e [mm]	D _p [mm]	D _m [mm]	d ₂ [mm]	A [mm]	W [kg]	Codice
8	37,00	33,18	20	10	32	0,09	QPD08B2-008
9	41,00	37,13	24	10	32	0,13	QPD08B2-009
10	45,20	41,10	28	10	32	0,18	QPD08B2-010
11	48,70	45,07	32	12	35	0,24	QPD08B2-011
12	53,00	49,07	35	12	35	0,30	QPD08B2-012
13	57,40	53,06	38	12	35	0,36	QPD08B2-013
14	61,80	57,07	42	12	35	0,44	QPD08B2-014
15	65,50	61,09	46	12	35	0,52	QPD08B2-015
16	69,50	65,10	50	14	35	0,63	QPD08B2-016
17	73,60	69,11	54	14	35	0,73	QPD08B2-017
18	77,80	73,14	58	14	35	0,85	QPD08B2-018
19	81,70	77,16	62	14	35	0,97	QPD08B2-019
20	85,80	81,19	66	14	35	1,10	QPD08B2-020
21	89,70	85,22	70	16	40	1,29	QPD08B2-021
22	93,80	89,24	70	16	40	1,37	QPD08B2-022
23	98,20	93,27	70	16	40	1,46	QPD08B2-023
24	101,80	97,29	75	16	40	1,64	QPD08B2-024
25	105,80	101,33	80	16	40	1,82	QPD08B2-025
26	110,00	105,36	85	16	40	2,02	QPD08B2-026
27	114,00	109,40	85	16	40	2,12	QPD08B2-027
28	118,00	113,42	90	16	40	2,34	QPD08B2-028
29	122,00	117,46	95	16	40	2,56	QPD08B2-029
30	126,10	121,50	100	16	40	2,79	QPD08B2-030
31	130,20	125,54	100	20	40	2,87	QPD08B2-031
32	134,30	129,56	100	20	40	3,00	QPD08B2-032
33	138,40	133,60	100	20	40	3,13	QPD08B2-033
34	142,60	137,64	100	20	40	3,26	QPD08B2-034
35	146,70	141,68	100	20	40	3,40	QPD08B2-035
36	151,00	145,72	100	20	40	3,54	QPD08B2-036
37	154,60	149,76	100	20	40	3,69	QPD08B2-037
38	158,60	153,80	100	20	40	3,84	QPD08B2-038
39	162,70	157,83	100	20	40	4,00	QPD08B2-039
40	166,80	161,87	100	20	40	4,15	QPD08B2-040
45	188,00	182,07	*108	20	50	6,26	QPD08B2-045
50	208,30	202,26	*108	20	50	7,30	QPD08B2-050
57	236,40	230,54	*108	20	50	8,65	QPD08B2-057
76	313,30	307,32	*108	20	55	13,30	QPD08B2-076
95	390,10	384,11	*110	20	55	21,13	QPD08B2-095
114	466,90	460,91	*110	20	55	28,96	QPD08B2-114

Materiale: C45 (Fe360B con Z ≥ 45)

* = Mozzo saldato

D _e	Diametro esterno	mm
D _p	Diametro primitivo	mm
D _m	Diametro mozzo	mm
W	Peso	kg

Pignone doppio

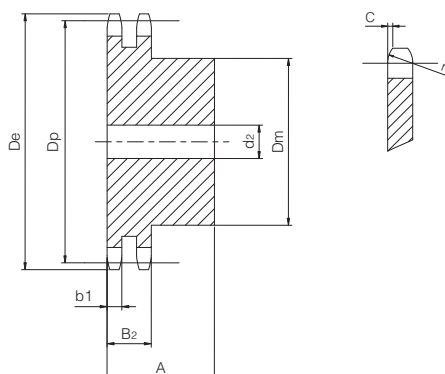
per catene a rulli secondo DIN 8187 - ISO/R 606

ISO 10B-2

Passo 5/8" x 3/8"



PIGNONE	[mm]
Raggio dente r_3	16
Larghezza raggio C	1,6
Larghezza dente b_1	9
Larghezza dente B_2	25,5
CATENA	[mm]
Passo	15,875
Larghezza interna	9,65
Rullo \varnothing	10,16



Z	D_e [mm]	D_p [mm]	D_m [mm]	d_2 [mm]	A [mm]	W [kg]	Codice
8	47,00	41,48	25	12	40	0,19	QPD10B2-008
9	52,60	46,42	30	12	40	0,27	QPD10B2-009
10	57,50	51,37	35	12	40	0,36	QPD10B2-010
11	63,00	56,34	39	14	40	0,43	QPD10B2-011
12	68,00	61,34	44	14	40	0,55	QPD10B2-012
13	73,00	66,32	49	14	40	0,68	QPD10B2-013
14	78,00	71,34	54	14	40	0,82	QPD10B2-014
15	83,00	76,36	59	14	40	0,97	QPD10B2-015
16	88,00	81,37	64	16	45	1,26	QPD10B2-016
17	93,00	86,39	69	16	45	1,46	QPD10B2-017
18	98,30	91,42	74	16	45	1,67	QPD10B2-018
19	103,30	96,45	79	16	45	1,90	QPD10B2-019
20	108,40	101,49	84	16	45	2,14	QPD10B2-020
21	113,40	106,52	85	16	45	2,27	QPD10B2-021
22	118,00	111,55	90	16	45	2,54	QPD10B2-022
23	123,50	116,58	95	16	45	2,82	QPD10B2-023
24	128,30	121,62	100	16	45	3,11	QPD10B2-024
25	134,00	126,66	105	16	45	3,15	QPD10B2-025
26	139,00	131,70	110	20	45	3,74	QPD10B2-026
27	144,00	136,75	110	20	45	3,94	QPD10B2-027
28	148,70	141,78	115	20	45	4,28	QPD10B2-028
29	153,80	146,83	115	20	45	4,50	QPD10B2-029
30	158,80	151,87	120	20	45	4,87	QPD10B2-030
31	163,90	156,92	120	20	45	5,10	QPD10B2-031
32	168,90	161,95	120	20	45	5,34	QPD10B2-032
33	174,50	167,00	120	20	45	5,59	QPD10B2-033
34	179,00	172,05	120	20	45	5,84	QPD10B2-034
35	184,10	177,10	120	20	45	6,11	QPD10B2-035
36	189,10	182,15	120	20	45	6,38	QPD10B2-036
37	194,20	187,20	120	20	45	6,66	QPD10B2-037
38	199,20	192,24	120	20	45	6,95	QPD10B2-038
39	204,20	197,29	120	20	45	7,25	QPD10B2-039
40	209,30	202,34	120	20	45	7,55	QPD10B2-040
45	235,00	227,58	*120	20	50	10,32	QPD10B2-045
50	260,30	252,82	*120	20	50	12,00	QPD10B2-050
57	296,00	288,18	*130	20	50	15,74	QPD10B2-057
76	392,10	384,15	*130	20	63	24,93	QPD10B2-076
95	488,50	480,14	*130	20	63	38,90	QPD10B2-095

Materiale: C45 (Fe360B con $Z \geq 45$)

* = Mozzo saldato

D_e	Diametro esterno	mm
D_p	Diametro primitivo	mm
D_m	Diametro mozzo	mm
W	Peso	kg

Pignone doppio

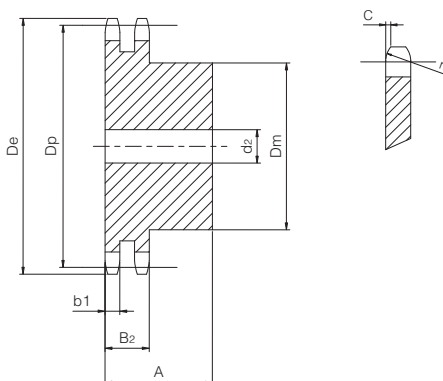
per catene a rulli secondo DIN 8187 - ISO/R 606

ISO 12B-2

Passo 3/4" x 7/16"



PIGNONE	[mm]
Raggio dente r_3	19
Larghezza raggio C	2
Larghezza dente b_1	10,8
Larghezza dente B_2	30,3
CATENA	[mm]
Passo	19,05
Larghezza interna	11,68
Rullo \varnothing	12,07



Z	D _e [mm]	D _p [mm]	D _m [mm]	d ₂ [mm]	A [mm]	W [kg]	Codice
8	57,30	49,78	31	12	45	0,31	QPD12B2-008
9	62,00	55,70	37	12	45	0,44	QPD12B2-009
10	69,00	61,64	42	12	45	0,59	QPD12B2-010
11	75,00	67,61	47	16	50	0,81	QPD12B2-011
12	81,50	73,60	53	16	50	1,02	QPD12B2-012
13	87,50	79,59	59	16	50	1,25	QPD12B2-013
14	93,60	85,61	65	16	50	1,46	QPD12B2-014
15	99,80	91,63	71	16	50	1,74	QPD12B2-015
16	105,50	97,65	77	20	50	2,03	QPD12B2-016
17	111,50	103,67	83	20	50	2,36	QPD12B2-017
18	118,00	109,71	89	20	50	2,70	QPD12B2-018
19	124,20	115,75	95	20	50	3,07	QPD12B2-019
20	129,70	121,78	100	20	50	3,43	QPD12B2-020
21	136,00	127,82	100	20	50	3,69	QPD12B2-021
22	141,00	133,86	100	20	50	3,97	QPD12B2-022
23	149,00	139,90	110	20	50	4,51	QPD12B2-023
24	153,90	145,94	110	20	50	4,81	QPD12B2-024
25	160,00	152,00	120	20	50	5,41	QPD12B2-025
26	165,90	158,04	120	20	50	5,73	QPD12B2-026
27	172,30	164,09	120	20	50	6,08	QPD12B2-027
28	178,00	170,13	120	20	50	6,43	QPD12B2-028
29	184,10	176,19	120	20	50	6,80	QPD12B2-029
30	190,50	182,25	120	20	50	7,19	QPD12B2-030
31	196,30	188,31	130	20	50	7,59	QPD12B2-031
32	203,30	194,35	130	20	50	8,00	QPD12B2-032
33	209,30	200,40	130	20	50	8,42	QPD12B2-033
34	214,60	206,46	130	20	50	8,86	QPD12B2-034
35	221,00	212,52	130	20	50	9,31	QPD12B2-035
36	226,80	218,58	130	25	50	9,71	QPD12B2-036
37	232,90	224,64	130	25	50	10,19	QPD12B2-037
38	239,00	230,69	130	25	50	10,78	QPD12B2-038
39	245,10	236,75	130	25	50	11,19	QPD12B2-039
40	251,30	242,81	130	25	50	11,71	QPD12B2-040
45	282,50	273,09	*140	25	63	16,35	QPD12B2-045
50	312,30	303,39	*140	25	63	20,00	QPD12B2-050
57	355,40	345,81	*140	25	63	24,43	QPD12B2-057
76	469,90	460,98	*140	25	63	41,88	QPD12B2-076
95	585,10	576,17	*140	25	63	63,79	QPD12B2-095
114	700,60	691,36	*140	25	63	85,70	QPD12B2-114

Materiale: C45 (Fe360B con Z ≥ 45)

* = Mozzo saldato

D _e	Diametro esterno	mm
D _p	Diametro primitivo	mm
D _m	Diametro mozzo	mm
W	Peso	kg

Pignone doppio

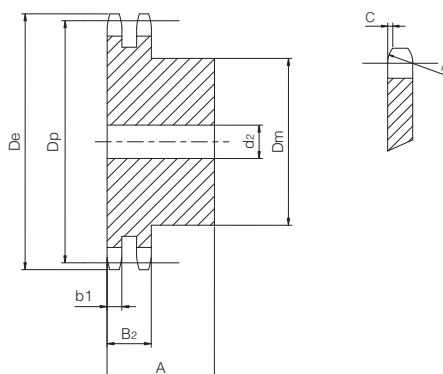
per catene a rulli secondo DIN 8187 - ISO/R 606

ISO 16B-2

Passo 1" x 17,02 mm



PIGNONE	[mm]
Raggio dente r_3	26
Larghezza raggio C	2,5
Larghezza dente b_1	15,8
Larghezza dente B_2	47,7
CATENA	[mm]
Passo	25,4
Larghezza interna	17,02
Rullo \varnothing	15,88



Z	D_e [mm]	D_p [mm]	D_m [mm]	d_2 [mm]	A [mm]	W [kg]	Codice
8	77,00	66,37	42	16	65	0,81	QPD16B2-008
9	85,00	74,27	50	16	65	1,15	QPD16B2-009
10	93,00	82,19	56	16	65	1,52	QPD16B2-010
11	101,50	90,14	64	20	70	2,08	QPD16B2-011
12	109,00	98,14	72	20	70	2,60	QPD16B2-012
13	117,00	106,12	80	20	70	3,18	QPD16B2-013
14	125,00	114,15	88	20	70	3,82	QPD16B2-014
15	133,00	122,17	96	20	70	4,51	QPD16B2-015
16	141,00	130,20	104	20	70	5,17	QPD16B2-016
17	149,00	138,22	112	20	70	5,98	QPD16B2-017
18	157,00	146,28	120	20	70	6,84	QPD16B2-018
19	165,20	154,33	128	20	70	7,76	QPD16B2-019
20	173,20	162,38	130	20	70	8,52	QPD16B2-020
21	181,20	170,43	130	25	70	9,24	QPD16B2-021
22	189,30	178,48	*130	25	70	10,00	QPD16B2-022
23	197,50	186,53	*130	25	70	10,80	QPD16B2-023
24	205,50	194,59	*130	25	70	11,64	QPD16B2-024
25	213,50	202,66	*130	25	70	12,52	QPD16B2-025
26	221,60	210,72	*130	25	70	13,43	QPD16B2-026
27	229,60	218,79	*130	25	70	14,38	QPD16B2-027
28	237,70	226,85	*130	25	70	15,38	QPD16B2-028
29	245,80	234,92	*130	25	70	16,41	QPD16B2-029
30	254,00	243,00	*130	25	70	17,48	QPD16B2-030
31	262,00	251,08	*140	25	70	18,96	QPD16B2-031
32	270,00	259,13	*140	25	70	20,10	QPD16B2-032
33	278,50	267,21	*140	25	70	21,29	QPD16B2-033
34	287,00	275,28	*140	25	70	22,21	QPD16B2-034
35	296,20	283,36	*140	25	70	23,77	QPD16B2-035
36	304,60	291,44	*140	25	70	25,07	QPD16B2-036
37	312,60	299,51	*140	25	70	26,41	QPD16B2-037
38	320,70	307,59	*140	25	70	27,79	QPD16B2-038
39	328,80	315,67	*140	25	70	29,20	QPD16B2-039
40	336,90	323,75	*140	25	70	30,65	QPD16B2-040
45	377,10	364,12	*150	25	80	38,44	QPD16B2-045
50	417,40	404,52	*150	25	80	48,00	QPD16B2-050
57	474,00	461,08	*160	25	90	63,45	QPD16B2-057
76	627,00	614,64	*160	25	90	110,79	QPD16B2-076
95	781,10	768,22	*160	25	116	178,48	QPD16B2-095
114	934,30	921,81	*160	25	116	246,17	QPD16B2-114

Materiale: C45 (Fe360B con $Z \geq 22$)

* = Mozzo saldato

D_e	Diametro esterno	mm
D_p	Diametro primitivo	mm
D_m	Diametro mozzo	mm
W	Peso	kg

Pignone doppio

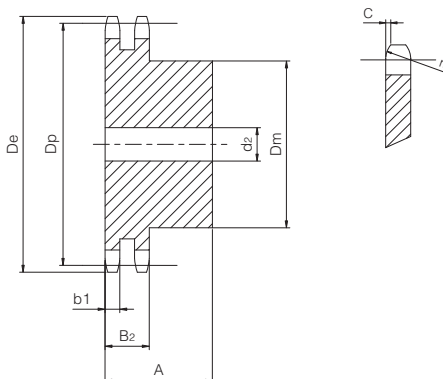
per catene a rulli secondo DIN 8187 - ISO/R 606

ISO 20B-2

Passo 1" 1/4 x 3/4"



PIGNONE	[mm]
Raggio dente r_3	32
Larghezza raggio C	3,5
Larghezza dente b_1	18,2
Larghezza dente B_2	54,6
CATENA	[mm]
Passo	31,75
Larghezza interna	19,56
Rullo \varnothing	19,05



Z	D _e [mm]	D _p [mm]	D _m [mm]	d ₂ [mm]	A [mm]	W [kg]	Codice
8	98,10	82,96	53	20	75	1,58	QPD20B2-008
9	108,00	92,84	63	20	75	2,19	QPD20B2-009
10	117,90	102,74	70	20	75	2,85	QPD20B2-010
11	127,80	112,68	80	20	80	3,72	QPD20B2-011
12	137,80	122,68	90	20	80	4,66	QPD20B2-012
13	147,80	132,65	100	20	80	5,70	QPD20B2-013
14	157,80	142,68	110	20	80	6,84	QPD20B2-014
15	167,90	152,72	120	20	80	8,08	QPD20B2-015
16	177,90	162,75	120	25	80	8,90	QPD20B2-016
17	187,90	172,78	120	25	80	9,92	QPD20B2-017
18	198,00	182,85	*120	25	80	11,00	QPD20B2-018
19	208,10	192,91	*120	25	80	12,16	QPD20B2-019
20	218,10	202,98	*120	25	80	13,38	QPD20B2-020
21	228,20	213,04	*140	25	80	15,49	QPD20B2-021
22	238,30	223,11	*140	25	80	16,86	QPD20B2-022
23	248,30	233,17	*140	25	80	18,29	QPD20B2-023
24	258,40	243,23	*140	25	80	19,79	QPD20B2-024
25	268,50	253,33	*140	25	80	21,36	QPD20B2-025
26	278,60	263,40	*150	25	80	23,45	QPD20B2-026
27	288,60	273,49	*150	25	80	25,15	QPD20B2-027
28	298,70	283,56	*150	25	80	26,93	QPD20B2-028
29	308,80	293,65	*150	25	80	28,77	QPD20B2-029
30	318,90	303,75	*150	25	80	30,69	QPD20B2-030
31	329,00	313,85	*150	25	80	32,67	QPD20B2-031
32	339,10	323,91	*150	25	80	34,72	QPD20B2-032
33	349,20	334,01	*150	25	80	36,88	QPD20B2-033
34	359,30	344,10	*150	25	80	39,03	QPD20B2-034
35	369,40	354,20	*150	25	80	41,28	QPD20B2-035
36	379,50	364,30	*150	30	80	43,61	QPD20B2-036
37	389,50	374,39	*150	30	80	46,04	QPD20B2-037
38	399,60	384,49	*150	30	80	48,46	QPD20B2-038
39	409,70	394,59	*150	30	80	51,03	QPD20B2-039
40	419,80	404,69	*150	30	80	53,60	QPD20B2-040
45	470,30	455,17	*160	30	90	71,32	QPD20B2-045
76	783,50	768,32	*180	30	100	200,96	QPD20B2-076

Materiale: C45 (Fe360B con Z ≥ 18)

* = Mozzo saldato

D _e	Diametro esterno	mm
D _p	Diametro primitivo	mm
D _m	Diametro mozzo	mm
W	Peso	kg

Pignone doppio

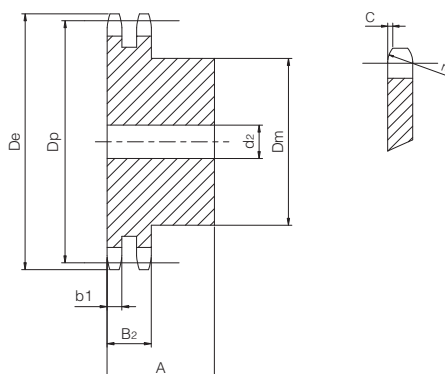
per catene a rulli secondo DIN 8187 - ISO/R 606

ISO 24B-2

Passo 1" 1/2 x 1"



PIGNONE	[mm]
Raggio dente r_3	38
Larghezza raggio C	4
Larghezza dente b_1	23,6
Larghezza dente B_2	72
CATENA	[mm]
Passo	38,1
Larghezza interna	25,4
Rullo \varnothing	25,4



Z	D _e [mm]	D _p [mm]	D _m [mm]	d ₂ [mm]	A [mm]	W [kg]	Codice
8	115,00	99,55	58	25	95	2,70	QPD24B2-008
9	126,40	111,40	70	25	95	3,79	QPD24B2-009
10	138,00	123,29	80	25	95	5,01	QPD24B2-010
11	150,00	135,21	90	25	100	6,62	QPD24B2-011
12	162,00	147,22	102	25	100	8,28	QPD24B2-012
13	174,20	159,18	114	25	100	10,13	QPD24B2-013
14	186,20	171,22	128	25	100	12,24	QPD24B2-014
15	198,20	183,26	140	25	100	14,08	QPD24B2-015
16	210,30	195,30	*140	25	100	15,88	QPD24B2-016
17	222,30	207,34	*150	25	100	17,80	QPD24B2-017
18	234,30	219,42	*160	25	100	21,08	QPD24B2-018
19	246,50	231,49	*160	25	100	23,26	QPD24B2-019
20	258,60	243,57	*160	25	100	25,57	QPD24B2-020
21	270,60	255,65	*160	25	100	28,01	QPD24B2-021
22	282,70	267,73	*160	25	100	30,59	QPD24B2-022
23	294,80	279,80	*160	25	100	33,29	QPD24B2-023
24	306,80	291,88	*160	25	100	36,13	QPD24B2-024
25	319,00	304,00	*160	25	100	39,09	QPD24B2-025
26	331,00	316,08	*160	30	100	42,19	QPD24B2-026
27	343,20	328,19	*160	30	100	45,41	QPD24B2-027
28	355,20	340,27	*160	30	100	48,77	QPD24B2-028
29	367,30	352,38	*160	30	100	52,26	QPD24B2-029
30	379,50	364,50	*160	30	100	55,88	QPD24B2-030
31	391,60	376,62	*170	30	100	59,19	QPD24B2-031
32	403,70	388,69	*170	30	100	63,07	QPD24B2-032
33	415,80	400,81	*170	30	100	67,08	QPD24B2-033
34	427,80	412,93	*170	30	100	71,21	QPD24B2-034
35	440,00	425,04	*170	30	100	75,49	QPD24B2-035
36	452,00	437,16	*170	30	100	79,89	QPD24B2-036
37	464,20	449,27	*170	30	100	84,43	QPD24B2-037
38	476,20	461,39	*170	30	100	89,09	QPD24B2-038
39	488,50	473,50	*170	30	100	93,95	QPD24B2-039
40	500,60	485,62	*170	30	100	98,80	QPD24B2-040

Materiale: C45 (Fe360B con Z ≥ 16)

* = Mozzo saldato

D _e	Diametro esterno	mm
D _p	Diametro primitivo	mm
D _m	Diametro mozzo	mm
W	Peso	kg

Pignone doppio

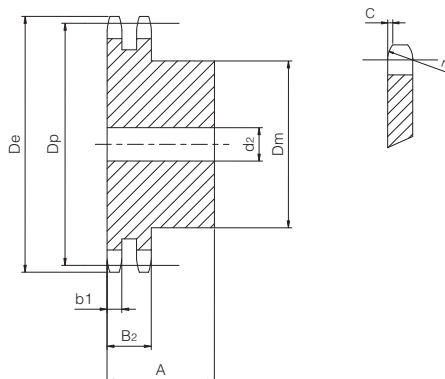
per catene a rulli secondo DIN 8187 - ISO/R 606

ISO 28B-2

Passo 1" 3/4 x 1" 1/4



PIGNONE	[mm]
Raggio dente r_3	44
Larghezza raggio C	5
Larghezza dente b_1	28,8
Larghezza dente B_2	88,4
CATENA	[mm]
Passo	44,45
Larghezza interna	30,99
Rullo \varnothing	27,94



Z	D _e [mm]	D _p [mm]	D _m [mm]	d ₂ [mm]	A [mm]	W [kg]	Codice
8	132,00	116,15	74	25	120	4,75	QPD28B2-008
9	148,40	129,96	88	25	120	6,66	QPD28B2-009
10	162,30	143,85	100	25	120	8,79	QPD28B2-010
11	176,30	157,77	112	25	120	11,19	QPD28B2-011
12	189,50	171,74	125	25	120	13,91	QPD28B2-012
13	204,20	185,74	*125	25	120	16,25	QPD28B2-013
14	218,20	199,76	*125	25	120	18,81	QPD28B2-014
15	232,30	213,79	*145	25	120	22,64	QPD28B2-015
16	246,30	227,84	*160	30	120	26,52	QPD28B2-016
17	260,00	241,91	*160	30	120	29,74	QPD28B2-017
18	274,00	255,98	*160	30	120	33,17	QPD28B2-018
19	289,00	270,06	*180	30	120	38,14	QPD28B2-019
20	303,00	284,15	*180	30	120	42,02	QPD28B2-020
21	317,00	298,24	*180	30	120	49,10	QPD28B2-021
22	331,00	312,34	*180	30	120	50,40	QPD28B2-022
23	345,00	326,44	*180	30	120	54,92	QPD28B2-023
24	359,00	340,55	*180	30	120	59,77	QPD28B2-024
25	373,00	354,66	*180	30	120	64,62	QPD28B2-025
26	387,00	368,77	*180	30	120	69,28	QPD28B2-026
27	401,40	382,88	*180	30	120	74,78	QPD28B2-027
28	416,00	397,00	*180	30	120	80,28	QPD28B2-028
29	430,00	411,12	*180	30	120	86,23	QPD28B2-029
30	444,00	425,24	*180	30	120	92,17	QPD28B2-030
31	458,00	439,37	*180	30	120	109,67	QPD28B2-031
35	514,00	495,88	*200	30	120	127,17	QPD28B2-035
38	557,00	538,27	*200	30	120	149,90	QPD28B2-038
40	585,00	566,54	*200	30	120	167,15	QPD28B2-040

Materiale: C45 (Fe360B con Z ≥ 13)

* = Mozzo saldato

D _e	Diametro esterno	mm
D _p	Diametro primitivo	mm
D _m	Diametro mozzo	mm
W	Peso	kg

Pignone doppio

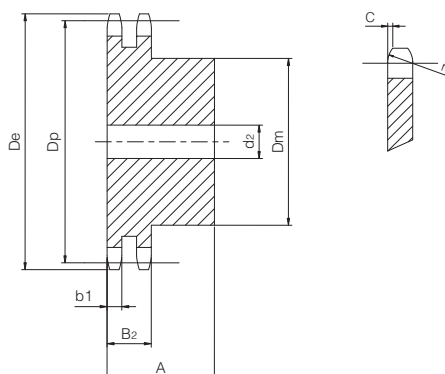
per catene a rulli secondo DIN 8187 - ISO/R 606

ISO 32B-2

Passo 2" x 1" 1/4



PIGNONE	[mm]
Raggio dente r_3	51
Larghezza raggio C	6
Larghezza dente b_1	28,8
Larghezza dente B_2	87,4
CATENA	[mm]
Passo	50,8
Larghezza interna	30,99
Rullo \varnothing	29,21



Z	D _e [mm]	D _p [mm]	D _m [mm]	d ₂ [mm]	A [mm]	W [kg]	Codice
8	153,00	132,69	82	30	120	6,65	QPD32B2-008
9	169,00	148,54	88	30	120	9,14	QPD32B2-009
10	185,00	164,44	104	30	120	12,01	QPD32B2-010
11	200,80	180,34	120	30	120	14,75	QPD32B2-011
12	216,80	196,29	*133	30	120	17,95	QPD32B2-012
13	232,80	212,29	*145	30	120	21,68	QPD32B2-013
14	248,80	228,29	*145	30	120	25,03	QPD32B2-014
15	264,80	244,30	*160	30	120	29,30	QPD32B2-015
16	280,90	260,40	*160	30	120	33,21	QPD32B2-016
17	296,90	276,40	*180	30	120	38,76	QPD32B2-017
18	313,00	292,55	*180	30	120	43,24	QPD32B2-018
19	329,10	308,66	*200	30	120	49,52	QPD32B2-019
20	345,20	324,71	*200	30	120	54,56	QPD32B2-020
21	361,30	340,82	*200	30	120	59,87	QPD32B2-021
22	377,50	356,98	*200	30	120	65,47	QPD32B2-022
23	393,60	373,08	*200	30	120	71,35	QPD32B2-023
24	409,70	389,18	*200	30	120	77,52	QPD32B2-024
25	425,80	405,33	*200	30	120	83,66	QPD32B2-025
26	441,90	421,44	*200	30	120	90,69	QPD32B2-026
27	458,10	437,59	*200	30	120	97,84	QPD32B2-027
28	474,20	453,69	*200	30	120	104,99	QPD32B2-028
30	506,50	486,00	*200	30	120	120,41	QPD32B2-030

Materiale: C45 (Fe360B con $Z \geq 12$)

* = Mozzo saldato

D _e	Diametro esterno	mm
D _p	Diametro primitivo	mm
D _m	Diametro mozzo	mm
W	Peso	kg

PIGNONI TRIPLI

Pignone triplo

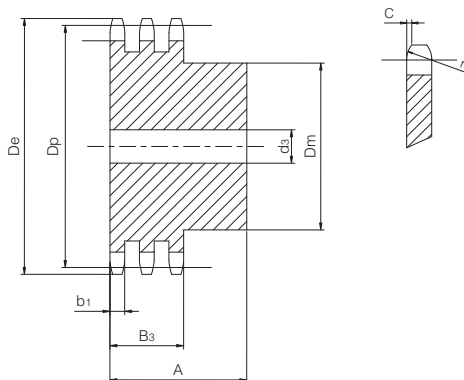
per catene a rulli secondo DIN 8187 - ISO/R 606



ISO 06B-3

Passo 3/8" x 7/32"

PIGNONE	[mm]
Raggio dente r_3	10
Larghezza raggio C	1
Larghezza dente b_1	5,2
Larghezza dente B_3	25,6
CATENA	[mm]
Passo	9,525
Larghezza interna	5,72
Rullo \varnothing	6,35



Z	D_e [mm]	D_p [mm]	D_m [mm]	d_3 [mm]	A [mm]	W [kg]	Codice
8	28,00	24,89	15	8	32	0,05	QPT06B3-008
9	31,00	27,85	18	8	32	0,07	QPT06B3-009
10	34,00	30,82	20	10	32	0,09	QPT06B3-010
11	37,00	33,80	22	10	35	0,11	QPT06B3-011
12	40,00	36,80	25	10	35	0,15	QPT06B3-012
13	43,00	39,79	28	10	35	0,19	QPT06B3-013
14	46,30	42,80	31	12	35	0,23	QPT06B3-014
15	49,30	45,81	34	12	35	0,28	QPT06B3-015
16	52,30	48,82	37	12	35	0,33	QPT06B3-016
17	55,30	51,83	40	12	35	0,39	QPT06B3-017
18	58,30	54,85	43	12	35	0,45	QPT06B3-018
19	61,30	57,87	46	12	35	0,51	QPT06B3-019
20	64,30	60,89	49	12	35	0,58	QPT06B3-020
21	68,00	63,91	52	14	40	0,70	QPT06B3-021
22	71,00	66,93	55	14	40	0,78	QPT06B3-022
23	73,50	69,95	58	14	40	0,87	QPT06B3-023
24	77,00	72,97	61	14	40	0,97	QPT06B3-024
25	80,00	76,02	64	14	40	1,06	QPT06B3-025
26	83,00	79,02	67	14	40	1,17	QPT06B3-026
27	86,00	82,02	70	14	40	1,27	QPT06B3-027
28	89,00	85,07	73	14	40	1,39	QPT06B3-028
29	92,00	88,09	76	14	40	1,50	QPT06B3-029
30	94,70	91,12	79	14	40	1,62	QPT06B3-030
31	98,30	94,15	80	16	40	1,72	QPT06B3-031
32	101,30	97,17	80	16	40	1,80	QPT06B3-032
33	104,30	100,20	80	16	40	1,89	QPT06B3-033
34	107,30	103,23	85	16	40	2,06	QPT06B3-034
35	110,40	106,26	85	16	40	2,15	QPT06B3-035
36	113,40	109,29	90	16	40	2,33	QPT06B3-036
37	116,40	112,32	90	16	40	2,43	QPT06B3-037
38	119,50	115,35	90	16	40	2,53	QPT06B3-038
39	122,50	118,37	90	16	40	2,63	QPT06B3-039
40	125,50	121,40	90	16	40	2,74	QPT06B3-040

Materiale: C45

D_e	Diametro esterno	mm
D_p	Diametro primitivo	mm
D_m	Diametro mozzo	mm
W	Peso	kg

Pignone triplo

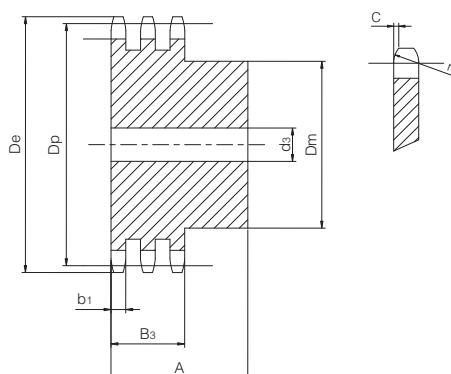
per catene a rulli secondo DIN 8187 - ISO/R 606

ISO 08B-3

Passo 1/2" x 5/16"



PIGNONE	[mm]
Raggio dente r_3	13
Larghezza raggio C	1,3
Larghezza dente b_1	7
Larghezza dente B_3	34,9
CATENA	[mm]
Passo	12,7
Larghezza interna	7,75
Rullo \varnothing	8,51



Z	D_e [mm]	D_p [mm]	D_m [mm]	d_3 [mm]	A [mm]	W [kg]	Codice
8	37,00	33,18	20	10	46	0,13	QPT08B3-008
9	41,00	37,13	24	12	46	0,18	QPT08B3-009
10	45,20	41,10	28	12	46	0,24	QPT08B3-010
11	48,70	45,07	32	14	50	0,31	QPT08B3-011
12	53,00	49,07	35	14	50	0,39	QPT08B3-012
13	57,40	53,06	38	14	50	0,49	QPT08B3-013
14	61,80	57,07	42	14	50	0,60	QPT08B3-014
15	65,50	61,09	46	14	50	0,72	QPT08B3-015
16	69,50	65,10	50	16	50	0,85	QPT08B3-016
17	73,60	69,11	54	16	50	0,99	QPT08B3-017
18	77,80	73,14	58	16	50	1,14	QPT08B3-018
19	81,70	77,16	62	16	50	1,30	QPT08B3-019
20	85,80	81,19	66	16	50	1,47	QPT08B3-020
21	89,70	85,22	70	16	55	1,79	QPT08B3-021
22	93,80	89,24	70	16	55	1,93	QPT08B3-022
23	98,20	93,27	70	16	55	2,08	QPT08B3-023
24	101,80	97,29	75	16	55	2,32	QPT08B3-024
25	105,80	101,33	80	16	55	2,57	QPT08B3-025
26	110,00	105,36	85	20	55	2,79	QPT08B3-026
27	114,00	109,40	85	20	55	2,96	QPT08B3-027
28	118,00	113,42	90	20	55	3,25	QPT08B3-028
29	122,00	117,46	95	20	55	3,55	QPT08B3-029
30	126,10	121,50	100	20	55	3,86	QPT08B3-030
31	130,20	125,54	110	20	55	4,32	QPT08B3-031
32	134,30	129,56	110	20	55	4,53	QPT08B3-032
33	138,40	133,60	110	20	55	4,74	QPT08B3-033
34	142,60	137,64	110	20	55	4,97	QPT08B3-034
35	146,70	141,68	110	20	55	5,20	QPT08B3-035
36	151,00	145,72	120	25	55	5,64	QPT08B3-036
37	154,60	149,76	120	25	55	5,88	QPT08B3-037
38	158,60	153,80	120	25	55	6,14	QPT08B3-038
39	162,70	157,83	120	25	55	6,40	QPT08B3-039
40	166,80	161,87	120	25	55	6,66	QPT08B3-040

Materiale: C45

D_e	Diametro esterno	mm
D_p	Diametro primitivo	mm
D_m	Diametro mozzo	mm
W	Peso	kg

Pignone triplo

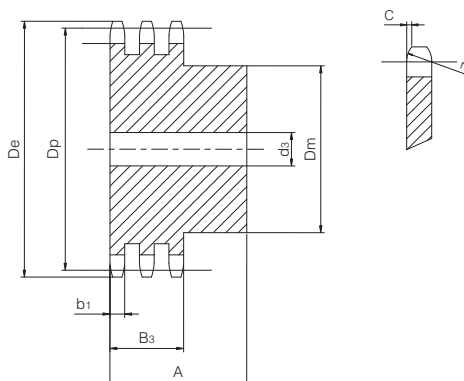
per catene a rulli secondo DIN 8187 - ISO/R 606

ISO 10B-3

Passo 5/8" x 3/8"



PIGNONE	[mm]
Raggio dente r_3	16
Larghezza raggio C	1,6
Larghezza dente b_1	9
Larghezza dente B_3	42,1
CATENA	[mm]
Passo	15,875
Larghezza interna	9,65
Rullo \varnothing	10,16



Z	D_e [mm]	D_p [mm]	D_m [mm]	d_3 [mm]	A [mm]	W [kg]	Codice
8	47,00	41,48	25	12	55	0,27	QPT10B3-008
9	52,60	46,42	30	12	55	0,38	QPT10B3-009
10	57,50	51,37	35	12	55	0,47	QPT10B3-010
11	63,00	56,34	39	16	55	0,61	QPT10B3-011
12	68,00	61,34	44	16	55	0,78	QPT10B3-012
13	73,00	66,32	49	16	55	0,96	QPT10B3-013
14	78,00	71,34	54	16	55	1,15	QPT10B3-014
15	83,00	76,36	59	16	55	1,37	QPT10B3-015
16	88,00	81,37	64	16	60	1,72	QPT10B3-016
17	93,00	86,39	69	16	60	1,99	QPT10B3-017
18	98,30	91,42	74	16	60	2,27	QPT10B3-018
19	103,30	96,45	79	16	60	2,58	QPT10B3-019
20	108,40	101,49	84	16	60	2,91	QPT10B3-020
21	113,40	106,52	85	20	60	3,12	QPT10B3-021
22	118,00	111,55	90	20	60	3,48	QPT10B3-022
23	123,50	116,58	95	20	60	3,86	QPT10B3-023
24	128,30	121,62	100	20	60	4,25	QPT10B3-024
25	134,00	126,66	105	20	60	4,67	QPT10B3-025
26	139,00	131,70	110	20	60	5,10	QPT10B3-026
27	144,00	136,75	110	20	60	5,43	QPT10B3-027
28	148,70	141,78	115	20	60	5,90	QPT10B3-028
29	153,80	146,83	115	20	60	6,25	QPT10B3-029
30	158,80	151,87	120	20	60	6,65	QPT10B3-030
31	163,90	156,92	120	20	60	7,18	QPT10B3-031
32	168,90	161,95	120	20	60	7,56	QPT10B3-032
33	174,50	167,00	120	20	60	7,97	QPT10B3-033
34	179,00	172,05	120	20	60	8,36	QPT10B3-034
35	184,10	177,10	120	20	60	8,74	QPT10B3-035
36	189,10	182,15	120	25	60	9,15	QPT10B3-036
37	194,20	187,20	120	25	60	9,61	QPT10B3-037
38	199,20	192,24	120	25	60	10,08	QPT10B3-038
39	204,20	197,29	120	25	60	10,57	QPT10B3-039
40	209,30	202,34	120	25	60	11,07	QPT10B3-040

Materiale: C45

D_e	Diametro esterno	mm
D_p	Diametro primitivo	mm
D_m	Diametro mozzo	mm
W	Peso	kg

Pignone triplo

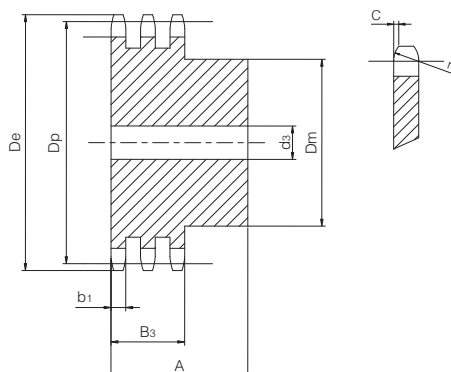
per catene a rulli secondo DIN 8187 - ISO/R 606

ISO 12B-3

Passo 3/4" x 7/16"



PIGNONE	[mm]
Raggio dente r_3	19
Larghezza raggio C	2
Larghezza dente b_1	10,8
Larghezza dente B_3	49,8
CATENA	[mm]
Passo	19,05
Larghezza interna	11,68
Rullo \varnothing	12,07



Z	D_e [mm]	D_p [mm]	D_m [mm]	d_3 [mm]	A [mm]	W [kg]	Codice
8	57,30	49,78	31	16	65	0,45	QPT12B3-008
9	62,00	55,70	37	16	65	0,64	QPT12B3-009
10	69,00	61,64	42	16	65	0,86	QPT12B3-010
11	75,00	67,61	47	20	70	1,09	QPT12B3-011
12	81,50	73,60	53	20	70	1,39	QPT12B3-012
13	87,50	79,59	59	20	70	1,72	QPT12B3-013
14	93,60	85,61	65	20	70	2,08	QPT12B3-014
15	99,80	91,63	71	20	70	2,47	QPT12B3-015
16	105,50	97,65	77	20	70	2,89	QPT12B3-016
17	111,50	103,67	83	20	70	3,34	QPT12B3-017
18	118,00	109,71	89	20	70	3,83	QPT12B3-018
19	124,20	115,75	95	20	70	4,35	QPT12B3-019
20	129,70	121,78	100	20	70	4,87	QPT12B3-020
21	136,00	127,82	100	20	70	5,20	QPT12B3-021
22	141,00	133,86	100	20	70	5,65	QPT12B3-022
23	149,00	139,90	110	20	70	6,38	QPT12B3-023
24	153,90	145,94	110	20	70	6,87	QPT12B3-024
25	160,00	152,00	120	20	70	7,77	QPT12B3-025
26	165,90	158,04	120	20	70	8,21	QPT12B3-026
27	172,30	164,09	120	20	70	8,77	QPT12B3-027
28	178,00	170,13	120	20	70	9,35	QPT12B3-028
29	184,10	176,19	120	20	70	9,96	QPT12B3-029
30	190,50	182,25	120	20	70	10,59	QPT12B3-030
31	196,30	188,31	130	25	70	11,55	QPT12B3-031
32	203,30	194,35	130	25	70	12,22	QPT12B3-032
33	209,30	200,40	130	25	70	12,92	QPT12B3-033
34	214,60	206,46	130	25	70	13,64	QPT12B3-034
35	221,00	212,52	130	25	70	14,38	QPT12B3-035
36	226,80	218,58	130	25	70	15,14	QPT12B3-036
37	232,90	224,64	130	25	70	15,93	QPT12B3-037
38	239,00	230,69	130	25	70	16,73	QPT12B3-038
39	245,10	236,75	130	25	70	17,57	QPT12B3-039
40	251,30	242,81	130	25	70	18,42	QPT12B3-040
45	282,50	273,09	*140	25	70	23,55	QPT12B3-045
50	312,30	303,39	*140	25	70	30,00	QPT12B3-050
57	355,40	345,81	*140	25	70	37,16	QPT12B3-057
76	469,90	460,98	*140	25	70	65,41	QPT12B3-076
95	585,10	576,17	*140	25	70	101,37	QPT12B3-095
114	700,60	691,36	*140	25	70	137,33	QPT12B3-114

Materiale: C45 (Fe360B con $Z \geq 45$)

* = Mozzo saldato

D_e	Diametro esterno	mm
D_p	Diametro primitivo	mm
D_m	Diametro mozzo	mm
W	Peso	kg

Pignone triplo

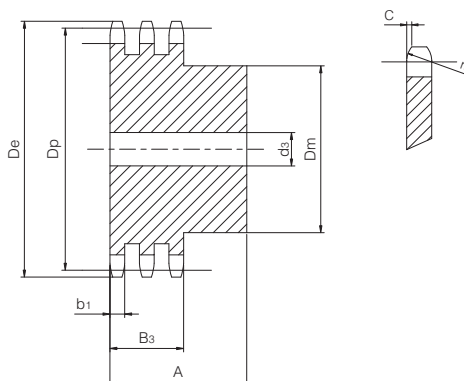
per catene a rulli secondo DIN 8187 - ISO/R 606

ISO 16B-3

Passo 1" x 17,02 mm



PIGNONE	[mm]
Raggio dente r_3	26
Larghezza raggio C	2,5
Larghezza dente b_1	15,8
Larghezza dente B_3	79,6
CATENA	[mm]
Passo	25,4
Larghezza interna	17,02
Rullo \varnothing	15,88



Z	D_e [mm]	D_p [mm]	D_m [mm]	d_3 [mm]	A [mm]	W [kg]	Codice
8	77,00	66,37	42	20	95	1,19	QPT16B3-008
9	85,00	74,27	50	20	95	1,68	QPT16B3-009
10	93,00	82,19	56	20	95	2,24	QPT16B3-010
11	101,50	90,14	64	25	100	2,86	QPT16B3-011
12	109,00	98,14	72	25	100	3,62	QPT16B3-012
13	117,00	106,12	80	25	100	4,45	QPT16B3-013
14	125,00	114,15	88	25	100	5,37	QPT16B3-014
15	133,00	122,17	96	25	100	6,37	QPT16B3-015
16	141,00	130,20	104	25	100	7,45	QPT16B3-016
17	149,00	138,22	112	25	100	8,60	QPT16B3-017
18	157,00	146,28	120	25	100	9,84	QPT16B3-018
19	165,20	154,33	128	25	100	11,16	QPT16B3-019
20	173,20	162,38	130	25	100	12,36	QPT16B3-020
21	181,20	170,43	*130	25	100	13,56	QPT16B3-021
22	189,30	178,48	*130	25	100	14,82	QPT16B3-022
23	197,50	186,53	*130	25	100	16,15	QPT16B3-023
24	205,50	194,59	*130	25	100	17,53	QPT16B3-024
25	213,50	202,66	*130	25	100	18,99	QPT16B3-025
26	221,60	210,72	*130	30	100	20,34	QPT16B3-026
27	229,60	218,79	*130	30	100	21,92	QPT16B3-027
28	237,70	226,85	*130	30	100	23,57	QPT16B3-028
29	245,80	234,92	*130	30	100	25,27	QPT16B3-029
30	254,00	243,00	*130	30	100	27,05	QPT16B3-030
31	262,00	251,08	*140	30	100	29,23	QPT16B3-031
32	270,00	259,13	*140	30	100	31,13	QPT16B3-032
33	278,50	267,21	*140	30	100	33,10	QPT16B3-033
34	287,00	275,28	*140	30	100	35,13	QPT16B3-034
35	296,20	283,36	*140	30	100	37,23	QPT16B3-035
36	304,60	291,44	*140	30	100	39,39	QPT16B3-036
37	312,60	299,51	*140	30	100	41,65	QPT16B3-037
38	320,70	307,59	*140	30	100	43,90	QPT16B3-038
39	328,80	315,67	*140	30	100	46,29	QPT16B3-039
40	336,90	323,75	*140	30	100	48,67	QPT16B3-040
45	377,10	364,12	*160	30	100	63,94	QPT16B3-045
50	417,40	404,52	*160	30	100	80,00	QPT16B3-050
57	474,00	461,08	*180	30	110	103,03	QPT16B3-057
76	627,00	614,64	*180	30	110	181,86	QPT16B3-076
95	781,10	768,22	*180	30	110	283,85	QPT16B3-095
114	934,30	921,81	*180	30	110	385,84	QPT16B3-114

Materiale: C45 (Fe360B con $Z \geq 21$)

* = Mozzo saldato

D_e	Diametro esterno	mm
D_p	Diametro primitivo	mm
D_m	Diametro mozzo	mm
W	Peso	kg

Pignone triplo

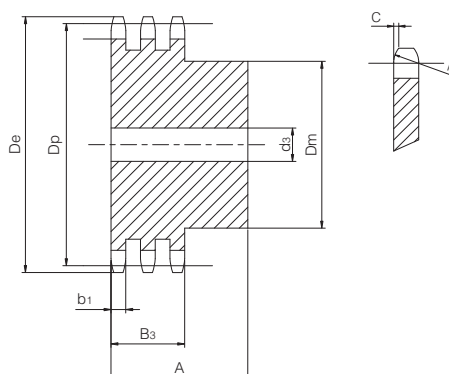
per catene a rulli secondo DIN 8187 - ISO/R 606

ISO 20B-3

Passo 1" 1/4 x 3/4"



PIGNONE	[mm]
Raggio dente r_3	32
Larghezza raggio C	3,5
Larghezza dente b_1	18,2
Larghezza dente B_3	91
CATENA	[mm]
Passo	31,75
Larghezza interna	19,56
Rullo \varnothing	19,05



Z	D_e [mm]	D_p [mm]	D_m [mm]	d_3 [mm]	A [mm]	W [kg]	Codice
8	98,10	82,96	53	20	110	2,15	QPT20B3-008
9	108,00	92,84	63	20	110	3,05	QPT20B3-009
10	117,90	102,74	70	20	110	4,04	QPT20B3-010
11	127,80	112,68	80	20	115	5,19	QPT20B3-011
12	137,80	122,68	90	20	115	6,55	QPT20B3-012
13	147,80	132,65	100	20	115	8,06	QPT20B3-013
14	157,80	142,68	110	20	115	9,71	QPT20B3-014
15	167,90	152,72	120	20	115	11,50	QPT20B3-015
16	177,90	162,75	120	25	115	13,06	QPT20B3-016
17	187,90	172,78	120	25	115	14,65	QPT20B3-017
18	198,00	182,85	*120	25	115	16,54	QPT20B3-018
19	208,10	192,91	*120	25	115	18,45	QPT20B3-019
20	218,10	202,98	*120	25	115	20,48	QPT20B3-020
21	228,20	213,04	*140	25	115	23,38	QPT20B3-021
22	238,30	223,11	*140	25	115	25,64	QPT20B3-022
23	248,30	233,17	*140	25	115	28,00	QPT20B3-023
24	258,40	243,23	*140	25	115	30,49	QPT20B3-024
25	268,50	253,33	*140	25	115	33,09	QPT20B3-025
26	278,60	263,40	*150	25	115	36,23	QPT20B3-026
27	288,60	273,49	*150	25	115	39,06	QPT20B3-027
28	298,70	283,56	*150	25	115	42,00	QPT20B3-028
29	308,80	293,65	*150	25	115	45,12	QPT20B3-029
30	318,90	303,75	*150	25	115	48,23	QPT20B3-030
31	329,00	313,85	*150	30	115	51,57	QPT20B3-031
32	339,10	323,91	*150	30	115	54,91	QPT20B3-032
33	349,20	334,01	*150	30	115	58,49	QPT20B3-033
34	359,30	344,10	*150	30	115	62,06	QPT20B3-034
35	369,40	354,20	*150	30	115	65,80	QPT20B3-035
36	379,50	364,30	*150	30	115	69,66	QPT20B3-036
37	389,50	374,39	*150	30	115	73,69	QPT20B3-037
38	399,60	384,49	*150	30	115	77,72	QPT20B3-038
39	409,70	394,59	*150	30	115	81,98	QPT20B3-039
40	419,80	404,69	*150	30	115	86,24	QPT20B3-040

Materiale: C45 (Fe360B con $Z \geq 18$)

* = Mozzo saldato

D_e	Diametro esterno	mm
D_p	Diametro primitivo	mm
D_m	Diametro mozzo	mm
W	Peso	kg

Pignone triplo

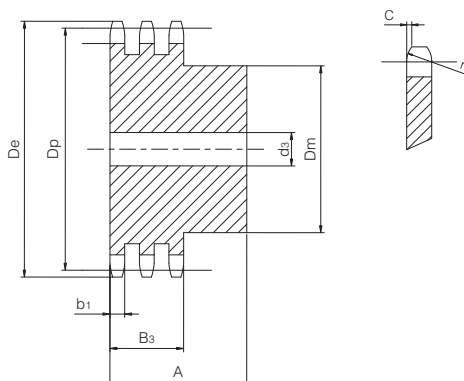
per catene a rulli secondo DIN 8187 - ISO/R 606

ISO 24B-3

Passo 1" 1/2 x 1"



PIGNONE	[mm]
Raggio dente r_3	38
Larghezza raggio C	4
Larghezza dente b_1	23,6
Larghezza dente B_3	120,3
CATENA	[mm]
Passo	38,1
Larghezza interna	25,4
Rullo \varnothing	25,4



Z	D_e [mm]	D_p [mm]	D_m [mm]	d_3 [mm]	A [mm]	W [kg]	Codice
8	115,00	99,55	58	25	140	4,00	QPT24B3-008
9	126,40	111,40	70	25	140	5,62	QPT24B3-009
10	138,00	123,29	80	25	140	7,45	QPT24B3-010
11	150,00	135,21	90	25	150	9,73	QPT24B3-011
12	162,00	147,22	102	25	150	12,24	QPT24B3-012
13	174,20	159,18	114	25	150	15,02	QPT24B3-013
14	186,20	171,22	128	25	150	18,16	QPT24B3-014
15	198,20	183,26	132	25	150	21,09	QPT24B3-015
16	210,30	195,30	*136	25	150	24,25	QPT24B3-016
17	222,30	207,34	*140	25	150	27,42	QPT24B3-017
18	234,30	219,42	*150	25	150	32,12	QPT24B3-018
19	246,50	231,49	*160	25	150	35,74	QPT24B3-019
20	258,60	243,57	*160	25	150	39,57	QPT24B3-020
21	270,60	255,65	*160	30	150	42,98	QPT24B3-021
22	282,70	267,73	*160	30	150	47,25	QPT24B3-022
23	294,80	279,80	*160	30	150	51,74	QPT24B3-023
24	306,80	291,88	*160	30	150	56,44	QPT24B3-024
25	319,00	304,00	*160	30	150	61,37	QPT24B3-025
26	331,00	316,08	*160	30	150	66,52	QPT24B3-026
27	343,20	328,19	*160	30	150	71,88	QPT24B3-027
28	355,20	340,27	*160	30	150	77,46	QPT24B3-028
29	367,30	352,38	*160	30	150	83,37	QPT24B3-029
30	379,50	364,50	*160	40	150	89,28	QPT24B3-030
31	391,60	376,62	*160	40	150	95,63	QPT24B3-031
32	403,70	388,69	*160	40	150	101,97	QPT24B3-032
33	415,80	400,81	*160	40	150	108,86	QPT24B3-033
34	427,80	412,93	*160	40	150	115,75	QPT24B3-034
35	440,00	425,04	*160	40	150	122,64	QPT24B3-035
36	452,00	437,16	*160	40	150	130,19	QPT24B3-036
37	464,20	449,27	*160	40	150	137,73	QPT24B3-037
38	476,20	461,39	*160	40	150	145,28	QPT24B3-038
39	488,50	473,50	*160	40	150	153,37	QPT24B3-039
40	500,60	485,62	*160	40	150	161,46	QPT24B3-040

Materiale: C45 (Fe360B con $Z \geq 16$)

* = Mozzo saldato

D_e	Diametro esterno	mm
D_p	Diametro primitivo	mm
D_m	Diametro mozzo	mm
W	Peso	kg

Pignone triplo

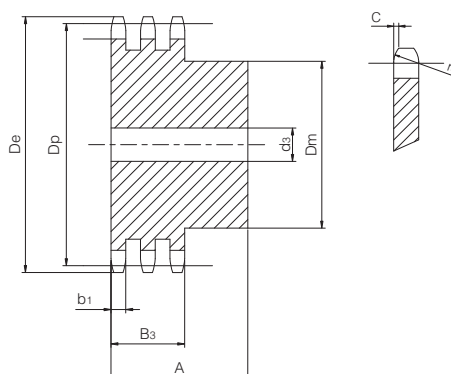
per catene a rulli secondo DIN 8187 - ISO/R 606

ISO 28B-3

Passo 1" 3/4 x 1" 1/4



PIGNONE	[mm]
Raggio dente r_3	44
Larghezza raggio C	5
Larghezza dente b_1	28,8
Larghezza dente B_3	148
CATENA	[mm]
Passo	44,45
Larghezza interna	30,99
Rullo \varnothing	27,94



Z	D_e [mm]	D_p [mm]	D_m [mm]	d_3 [mm]	A [mm]	W [kg]	Codice
8	132,00	116,15	74	30	180	7,04	QPT28B3-008
9	148,40	129,96	88	30	180	9,89	QPT28B3-009
10	162,30	143,85	100	30	180	13,10	QPT28B3-010
11	176,30	157,77	112	30	180	16,73	QPT28B3-011
12	189,50	171,74	125	30	180	20,84	QPT28B3-012
13	204,20	185,74	*125	30	180	24,70	QPT28B3-013
14	218,20	199,76	*125	30	180	28,93	QPT28B3-014
15	232,30	213,79	*145	30	180	34,58	QPT28B3-015
16	246,30	227,84	*160	30	180	40,44	QPT28B3-016
17	260,00	241,91	*160	30	180	45,77	QPT28B3-017
18	274,00	255,98	*160	30	180	51,76	QPT28B3-018
19	289,00	270,06	*180	30	180	58,07	QPT28B3-019
20	303,00	284,15	*180	30	180	64,49	QPT28B3-020
21	317,00	298,24	*180	30	180	71,28	QPT28B3-021
22	331,00	312,34	*180	30	180	78,61	QPT28B3-022
23	345,00	326,44	*180	30	180	85,94	QPT28B3-023
24	359,00	340,55	*180	30	180	99,01	QPT28B3-024
25	373,00	354,66	*180	40	180	112,07	QPT28B3-025
26	387,00	368,77	*180	40	180	119,41	QPT28B3-026
27	401,40	382,88	*180	40	180	126,76	QPT28B3-027
28	416,00	397,00	*180	40	180	134,10	QPT28B3-028
29	430,00	411,12	*180	40	180	141,45	QPT28B3-029
30	444,00	425,24	*180	40	180	148,79	QPT28B3-030
31	458,00	439,37	*180	40	180	180,53	QPT28B3-031
35	514,00	495,88	*200	40	180	212,27	QPT28B3-035
38	557,00	538,27	*200	40	180	244,01	QPT28B3-038
40	585,00	566,54	*200	40	180	271,10	QPT28B3-040

Materiale: C45 (Fe360B con $Z \geq 13$)

* = Mozzo saldato

D_e	Diametro esterno	mm
D_p	Diametro primitivo	mm
D_m	Diametro mozzo	mm
W	Peso	kg

Pignone triplo

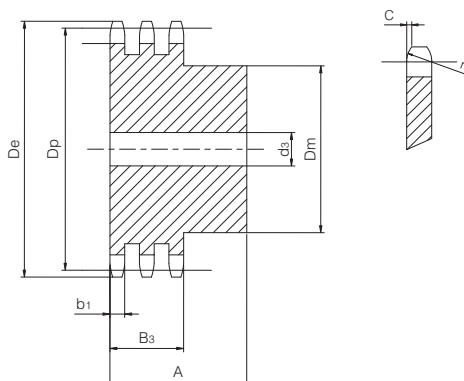
per catene a rulli secondo DIN 8187 - ISO/R 606

ISO 32B-3

Passo 2" x 1" 1/4



PIGNONE	[mm]
Raggio dente r_3	51
Larghezza raggio C	6
Larghezza dente b_1	28,8
Larghezza dente B_3	146
CATENA	[mm]
Passo	50,8
Larghezza interna	30,99
Rullo \varnothing	29,21



Z	D_e [mm]	D_p [mm]	D_m [mm]	d_3 [mm]	A [mm]	W [kg]	Codice
8	153,00	132,69	82	30	180	9,90	QPT32B3-008
9	169,00	148,54	88	30	180	13,65	QPT32B3-009
10	185,00	164,44	104	30	180	17,97	QPT32B3-010
11	200,80	180,34	120	30	180	22,22	QPT32B3-011
12	216,80	196,29	*133	30	180	27,23	QPT32B3-012
13	232,80	212,29	*145	30	180	32,98	QPT32B3-013
14	248,80	228,29	*145	30	180	38,50	QPT32B3-014
15	264,80	244,30	*160	30	180	45,04	QPT32B3-015
16	280,90	260,40	*160	30	180	51,50	QPT32B3-016
17	296,90	276,40	*180	30	180	61,45	QPT32B3-017
18	313,00	292,55	*180	30	180	68,85	QPT32B3-018
19	329,10	308,66	*200	30	180	76,73	QPT32B3-019
20	345,20	324,71	*200	30	180	85,07	QPT32B3-020
21	361,30	340,82	*200	40	180	93,89	QPT32B3-021
22	377,50	356,98	*200	40	180	103,41	QPT32B3-022
23	393,60	373,08	*200	40	180	112,93	QPT32B3-023
24	409,70	389,18	*200	40	180	123,40	QPT32B3-024
25	425,80	405,33	*200	40	180	133,86	QPT32B3-025
26	441,90	421,44	*200	40	180	149,00	QPT32B3-026
27	458,10	437,59	*200	40	180	164,14	QPT32B3-027
28	474,20	453,69	*200	40	180	179,28	QPT32B3-028
30	506,50	486,00	*200	40	180	194,42	QPT32B3-030

Materiale: C45 (Fe360B con $Z \geq 12$)

* = Mozzo saldato

D_e	Diametro esterno	mm
D_p	Diametro primitivo	mm
D_m	Diametro mozzo	mm
W	Peso	kg

Pignoni semplici, doppi e tripli per bussola conica SER-SIT®

A background image showing several metallic gears of different sizes and a gear housing component, all in shades of grey and blue, set against a light blue background. The gears are arranged in a way that suggests a complex mechanical assembly.

PIGNONI PER BUSSOLA CONICA

INDICE

PIGNONE SEMPLICE, DOPPIO E TRIPLO PER BUSSOLA CONICA SER-SIT®	Pag.
Pignone semplice	
ISO 06B-1 Passo 3/8" x 7/32"	77
ISO 08B-1 Passo 1/2" x 5/16"	78
ISO 10B-1 Passo 5/8" x 3/8"	79
ISO 12B-1 Passo 3/4" x 7/16"	80
ISO 16B-1 Passo 1" x 17,02 mm	81
ISO 20B-1 Passo 1" 1/4 x 3/4"	82
ISO 24B-1 Passo 1" 1/2 x 1"	83
Pignone doppio	
ISO 06B-2 Passo 3/8" x 7/32"	84
ISO 08B-2 Passo 1/2" x 5/16"	85
ISO 10B-2 Passo 5/8" x 3/8"	86
ISO 12B-2 Passo 3/4" x 7/16"	87
ISO 16B-2 Passo 1" x 17,02 mm	88
ISO 20B-2 Passo 1" 1/4 x 3/4"	89
ISO 24B-2 Passo 1" 1/2 x 1"	90
Pignone triplo	
ISO 06B-3 Passo 3/8" x 7/32"	91
ISO 08B-3 Passo 1/2" x 5/16"	92
ISO 10B-3 Passo 5/8" x 3/8"	93
ISO 12B-3 Passo 3/4" x 7/16"	94
ISO 16B-3 Passo 1" x 17,02 mm	95
ISO 20B-3 Passo 1" 1/4 x 3/4"	96
ISO 24B-3 Passo 1" 1/2 x 1"	97

PIGNONI SEMPLICI PER BUSSOLA CONICA SER-SIT®

Pignone semplice per bussola conica SER-SIT®

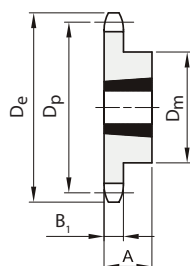
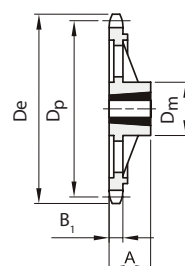
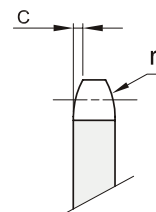
per catene a rulli secondo DIN 8187 - ISO/R 606



ISO 06B-1

Passo 3/8" x 7/32"

PIGNONE	[mm]
Raggio dente r_3	10
Larghezza raggio C	1
Larghezza dente B_1	5,3
CATENA	[mm]
Passo	9,525
Larghezza interna	5,72
Rullo ϕ	6,35

**1****6**

Z	D _e [mm]	D _p [mm]	D _m [mm]	A [mm]	Bussola SER-SIT®	Figura N°	W [kg]	Codice
17	55,5	51,83	45	22	1008	1	0,11	QPBS06B1-017
18	58,6	54,85	45	22	1008	1	0,14	QPBS06B1-018
19	61,6	57,86	45	22	1008	1	0,15	QPBS06B1-019
20	64,6	60,89	46	22	1008	1	0,16	QPBS06B1-020
21	67,6	63,90	46	22	1008	1	0,18	QPBS06B1-021
22	70,6	66,93	55	22	1108	1	0,25	QPBS06B1-022
23	73,7	69,95	63	25	1210	1	0,27	QPBS06B1-023
24	76,7	72,97	63	25	1210	1	0,30	QPBS06B1-024
25	79,7	75,99	63	25	1210	1	0,32	QPBS06B1-025
26	82,7	79,02	63	25	1210	1	0,33	QPBS06B1-026
27	85,7	82,04	63	25	1210	1	0,34	QPBS06B1-027
28	88,8	85,07	63	25	1210	1	0,37	QPBS06B1-028
30	94,8	91,12	63	25	1210	1	0,39	QPBS06B1-030
38	119,0	115,34	70	25	1210	1	0,65	QPBS06B1-038
45	141,1	136,54	70	25	1210	1	1,01	QPBS06B1-045
57*	177,5	172,91	83	25	1210	6	1,34	QPBS06B1-057
76*	235,1	230,49	83	25	1210	6	1,84	QPBS06B1-076

Semplice per bussola

Materiale: Acciaio C45
*Ghisa EN-GJL-200

D _e	Diametro esterno	mm
D _p	Diametro primitivo	mm
D _m	Diametro mozzo	mm
W	Peso	kg

Pignone semplice per bussola conica SER-SIT®

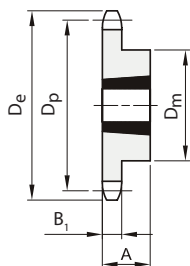
per catene a rulli secondo DIN 8187 - ISO/R 606

ISO 08B-1

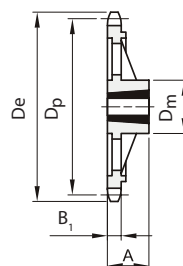
Passo 1/2" x 5/16"



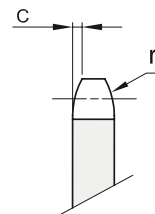
PIGNONE	[mm]
Raggio dente r_3	13
Larghezza raggio C	1,3
Larghezza dente B_1	7,2
CATENA	[mm]
Passo	12,7
Larghezza interna	7,75
Rullo \varnothing	8,51



1



6



Z	D_e [mm]	D_p [mm]	D_m [mm]	A [mm]	Bussola SER-SIT®	Figura N°	W [kg]	Codice
15	65,9	61,09	45	22	1008	1	0,16	QPBS08B1-015
16	69,9	65,10	50	22	1108	1	0,20	QPBS08B1-016
17	74,0	69,11	60	25	1210	1	0,22	QPBS08B1-017
18	78,0	73,14	60	25	1210	1	0,27	QPBS08B1-018
19	82,0	77,16	63	25	1210	1	0,33	QPBS08B1-019
20	86,0	81,19	67	25	1610	1	0,27	QPBS08B1-020
21	90,1	85,22	71	25	1610	1	0,36	QPBS08B1-021
22	94,1	89,24	71	25	1610	1	0,36	QPBS08B1-022
23	98,1	93,27	76	25	1610	1	0,50	QPBS08B1-023
24	102,1	97,29	76	25	1610	1	0,53	QPBS08B1-024
25	106,2	101,33	76	25	1610	1	0,56	QPBS08B1-025
26	110,2	105,36	76	25	1610	1	0,60	QPBS08B1-026
27	114,2	109,40	76	25	1610	1	0,63	QPBS08B1-027
28	118,3	113,42	90	32	2012	1	0,77	QPBS08B1-028
30	126,3	121,50	90	32	2012	1	0,91	QPBS08B1-030
38	158,6	153,80	90	32	2012	1	1,25	QPBS08B1-038
45	188,6	182,07	111	32	2012	1	1,68	QPBS08B1-045
57*	237,1	230,54	111	32	2012	6	2,78	QPBS08B1-057
76*	313,9	307,33	111	32	2012	6	3,81	QPBS08B1-076

Materiale: Acciaio C45
*Ghisa EN-GJL-200

D_e Diametro esterno mm
 D_p Diametro primitivo mm
 D_m Diametro mozzo mm
W Peso kg

Pignone semplice per bussola conica SER-SIT®

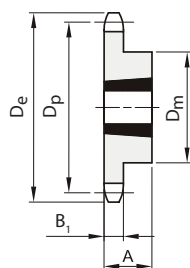
per catene a rulli secondo DIN 8187 - ISO/R 606

ISO 10B-1

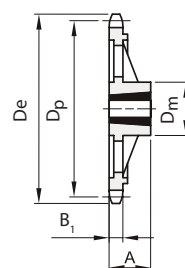
Passo 5/8" x 3/8"



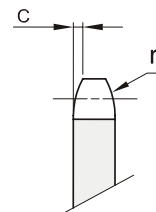
PIGNONE	[mm]
Raggio dente r_3	16
Larghezza raggio C	1,6
Larghezza dente B_1	9,1
CATENA	[mm]
Passo	15,875
Larghezza interna	9,65
Rullo \varnothing	10,16



1



6



Z	D_e [mm]	D_p [mm]	D_m [mm]	A [mm]	Bussola SER-SIT®	Figura N°	W [kg]	Codice
13	73,2	66,33	47	22	1008	1	0,23	QPBS10B1-013
14	78,2	71,34	52	22	1108	1	0,27	QPBS10B1-014
15	83,2	76,35	60	25	1210	1	0,30	QPBS10B0-015
16	88,3	81,37	63	25	1210	1	0,38	QPBS10B1-016
17	93,3	86,39	71	25	1610	1	0,38	QPBS10B1-017
18	98,3	91,42	71	25	1610	1	0,43	QPBS10B1-018
19	103,3	96,44	75	25	1610	1	0,54	QPBS10B1-019
20	108,4	101,49	76	25	1610	1	0,61	QPBS10B1-020
21	113,4	106,51	76	25	1610	1	0,65	QPBS10B1-021
22	118,4	111,55	76	25	1610	1	0,72	QPBS10B1-022
23	123,5	116,58	76	25	1610	1	0,77	QPBS10B1-023
24	128,5	121,62	90	32	2012	1	0,98	QPBS10B1-024
25	133,6	126,66	90	32	2012	1	1,05	QPBS10B1-025
26	138,6	131,70	90	32	2012	1	1,11	QPBS10B1-026
27	143,6	136,74	90	32	2012	1	1,17	QPBS10B1-027
28	148,7	141,78	90	32	2012	1	1,29	QPBS10B1-028
30	158,8	151,87	90	32	2012	1	1,40	QPBS10B1-030
38	199,1	192,23	100	32	2012	1	2,43	QPBS10B1-038
45	236,0	227,58	111	32	2012	1	3,55	QPBS10B1-045
57*	296,6	288,18	111	32	2012	6	4,28	QPBS10B1-057
76*	392,5	384,16	111	32	2012	6	5,95	QPBS10B1-076

Semplice per bussola

Materiale: Acciaio C45
*Ghisa EN-GJL-200

D_e	Diametro esterno	mm
D_p	Diametro primitivo	mm
D_m	Diametro mozzo	mm
W	Peso	kg

Pignone semplice per bussola conica SER-SIT®

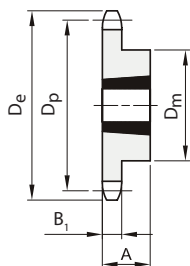
per catene a rulli secondo DIN 8187 - ISO/R 606

ISO 12B-1

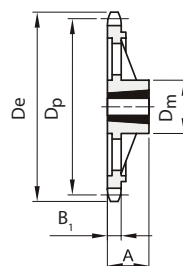
Passo 3/4" x 7/16"



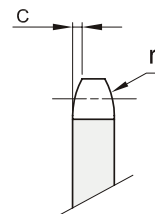
PIGNONE	[mm]
Raggio dente r_3	19
Larghezza raggio C	2
Larghezza dente B_1	11,1
CATENA	[mm]
Passo	19,05
Larghezza interna	11,68
Rullo \varnothing	12,07



1



6



Z	D_e [mm]	D_p [mm]	D_m [mm]	A [mm]	Bussola SER-SIT®	Figura N°	W [kg]	Codice
13	87,8	79,60	60	25	1210	1	0,35	QPBS12B1-013
14	93,8	85,61	67	25	1610	1	0,40	QPBS12B1-014
15	99,8	91,62	70	25	1610	1	0,44	QPBS12B1-015
16	105,8	97,65	71	25	1610	1	0,53	QPBS12B1-016
17	111,9	103,67	76	25	1610	1	0,66	QPBS12B1-017
18	117,9	109,71	90	32	2012	1	0,86	QPBS12B1-018
19	123,9	115,73	90	32	2012	1	0,94	QPBS12B1-019
20	130,0	121,78	90	32	2012	1	1,04	QPBS12B1-020
21	136,0	127,81	102	44	2517	1	1,24	QPBS12B1-021
22	142,0	133,86	108	44	2517	1	1,60	QPBS12B1-022
23	148,1	139,90	108	44	2517	1	1,70	QPBS12B1-023
24	154,1	145,94	108	44	2517	1	1,81	QPBS12B1-024
25	160,2	151,99	108	44	2517	1	1,93	QPBS12B1-025
26	166,2	158,04	108	44	2517	1	2,04	QPBS12B1-026
27	172,3	164,09	108	44	2517	1	2,14	QPBS12B1-027
28	178,3	170,13	108	44	2517	1	2,37	QPBS12B1-028
30	190,4	182,24	108	44	2517	1	2,60	QPBS12B1-030
38	238,9	230,69	108	44	2517	1	3,93	QPBS12B1-038
45	283,2	273,10	124	44	2517	1	5,52	QPBS12B1-045
57*	355,9	345,81	124	44	2517	6	6,48	QPBS12B1-057
76*	471,1	460,99	124	44	2517	6	9,71	QPBS12B1-076

Materiale: Acciaio C45
*Ghisa EN-GJL-200

D_e Diametro esterno mm
 D_p Diametro primitivo mm
 D_m Diametro mozzo mm
W Peso kg

Pignone semplice per bussola conica SER-SIT®

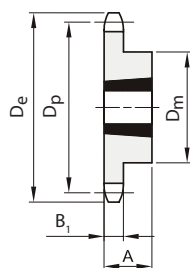
per catene a rulli secondo DIN 8187 - ISO/R 606

ISO 16B-1

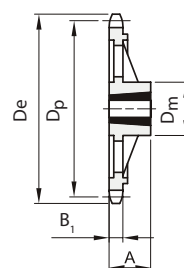
Passo 1" x 17,02 mm



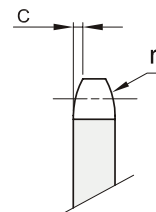
PIGNONE	[mm]
Raggio dente r_3	26
Larghezza raggio C	2,5
Larghezza dente B_1	16,2
CATENA	[mm]
Passo	25,4
Larghezza interna	17,02
Rullo \varnothing	15,88



1



6



Z	D_e [mm]	D_p [mm]	D_m [mm]	A [mm]	Bussola SER-SIT®	Figura N°	W [kg]	Codice
13	117,7	106,13	73	38	1615	1	0,98	QPBS16B1-013
14	125,7	114,15	75	38	1615	1	1,14	QPBS16B1-014
15	133,7	122,16	76	38	1615	1	1,30	QPBS16B1-015
16	141,8	130,20	90	32	2012	1	1,40	QPBS16B1-016
17	149,8	138,23	90	32	2012	1	1,59	QPBS16B1-017
18	157,8	146,28	108	44	2517	1	2,10	QPBS16B1-018
19	165,9	154,31	110	44	2517	1	2,29	QPBS16B1-019
20	173,9	162,38	110	44	2517	1	2,60	QPBS16B1-020
21	182,0	170,42	110	44	2517	1	2,81	QPBS16B1-021
22	190,1	178,48	110	44	2517	1	3,10	QPBS16B1-022
23	198,1	186,53	110	44	2517	1	3,38	QPBS16B1-023
24	206,2	194,59	110	44	2517	1	3,70	QPBS16B1-024
25	214,2	202,66	110	44	2517	1	3,97	QPBS16B1-025
26	222,3	210,72	110	44	2517	1	4,26	QPBS16B1-026
27	230,4	218,79	110	44	2517	1	4,55	QPBS16B1-027
28	238,4	226,85	110	44	2517	1	5,26	QPBS16B1-028
30	254,6	242,99	120	44	2517	1	5,97	QPBS16B1-030
38	319,2	307,59	160	51	3020	1	8,73	QPBS16B1-038
45	377,9	364,12	160	51	3020	1	12,49	QPBS16B1-045
57*	474,9	461,07	160	51	3020	6	13,87	QPBS16B1-057
76*	628,4	614,65	160	51	3020	6	22,63	QPBS16B1-076

Semplice per bussola

Materiale: Acciaio C45
*Ghisa EN-GJL-200

D_e	Diametro esterno	mm
D_p	Diametro primitivo	mm
D_m	Diametro mozzo	mm
W	Peso	kg

Pignone semplice per bussola conica SER-SIT®

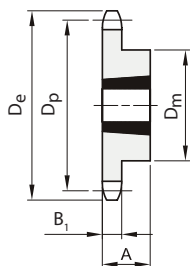
per catene a rulli secondo DIN 8187 - ISO/R 606

ISO 20B-1

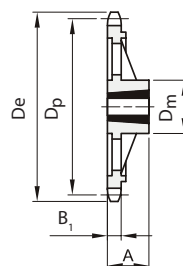
Passo 1"1/4 x 3/4"



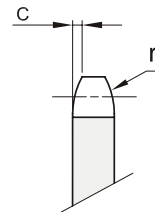
PIGNONE	[mm]
Raggio dente r_3	32
Larghezza raggio C	3,5
Larghezza dente B_1	18,5
CATENA	[mm]
Passo	31,75
Larghezza interna	19,56
Rullo \varnothing	19,05



1



6



Z	D_e [mm]	D_p [mm]	D_m [mm]	A [mm]	Bussola SER-SIT®	Figura N°	W [kg]	Codice
12	137,0	122,68	90	32	1615	1	1,90	QPBS20B1-012
13	147,5	132,65	90	32	2012	1	1,50	QPBS20B1-013
14	157,6	142,68	110	44	2517	1	2,40	QPBS20B1-014
15	167,7	152,72	110	44	2517	1	3,39	QPBS20B1-015
16	177,7	162,75	110	44	2517	1	4,23	QPBS20B1-016
17	187,7	172,78	110	44	2517	1	5,07	QPBS20B1-017
18	197,8	182,85	110	44	2517	1	5,91	QPBS20B1-018
19	207,9	192,91	110	44	2517	1	6,75	QPBS20B1-019
20	217,9	202,98	110	44	2517	1	7,23	QPBS20B1-020
21	228,0	213,04	120	44	2517	1	7,70	QPBS20B1-021
23	248,2	233,17	120	44	2517	1	8,78	QPBS20B1-023
25	268,4	253,33	120	44	2517	1	9,50	QPBS20B1-025
30	318,7	303,75	160	51	3020	1	11,60	QPBS20B1-030
38*	399,4	384,49	160	51	3020	6	15,80	QPBS20B1-038
57*	592,3	576,36	160	51	3020	6	17,90	QPBS20B1-057
76*	784,3	768,32	160	51	3020	6	25,00	QPBS20B1-076

Materiale: Acciaio C45
*Ghisa EN-GJL-200

D_e Diametro esterno mm
 D_p Diametro primitivo mm
 D_m Diametro mozzo mm
W Peso kg

Pignone semplice per bussola conica SER-SIT®

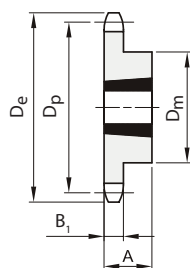
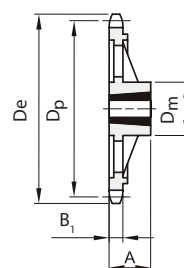
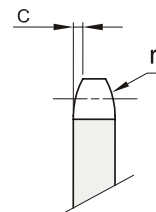
per catene a rulli secondo DIN 8187 - ISO/R 606

ISO 24B-1

Passo 1"1/2 x 1"



PIGNONE		[mm]
Raggio dente r_3		38
Larghezza raggio C		4
Larghezza dente B_1		24,1
CATENA		[mm]
Passo		38,1
Larghezza interna		25,4
Rullo \varnothing		25,4

**1****6**

Z	D_e [mm]	D_p [mm]	D_m [mm]	A [mm]	Bussola SER-SIT®	Figura N°	W [kg]	Codice
11	149,0	135,21	90	32	2012	1	1,70	QPBS24B1-011
12	161,0	147,22	90	32	2012	1	2,16	QPBS24B1-012
13	173,0	159,18	110	44	2517	1	2,77	QPBS24B1-013
14	185,0	171,22	120	44	2517	1	3,60	QPBS24B1-014
15	197,0	183,26	120	44	2517	1	4,20	QPBS24B1-015
17	221,0	207,34	140	51	3020	1	5,40	QPBS24B1-017
18	233,0	219,42	140	51	3020	1	6,10	QPBS24B1-018
19	245,5	231,49	140	51	3020	1	6,85	QPBS24B1-019
20	257,5	243,57	140	51	3020	1	7,76	QPBS24B1-020
21	270,5	255,65	140	51	3020	1	8,52	QPBS24B1-021
23	294,5	279,80	160	51	3020	1	11,31	QPBS24B1-023
25	319,0	304,00	160	51	3020	1	13,33	QPBS24B1-025
30	379,5	364,50	160	51	3020	1	19,00	QPBS24B1-030
38*	476,5	461,39	160	76	3030	6	24,00	QPBS24B1-038
57*	707,5	691,63	160	76	3030	6	45,00	QPBS24B1-057
76*	939,0	921,98	175	89	3535	6	70,00	QPBS24B1-076

Materiale: Acciaio C45
*Ghisa EN-GJL-200

D_e	Diametro esterno	mm
D_p	Diametro primitivo	mm
D_m	Diametro mozzo	mm
W	Peso	kg

PIGNONI DOPPI PER BUSSOLA CONICA SER-SIT®

Pignone doppio per bussola conica SER-SIT®

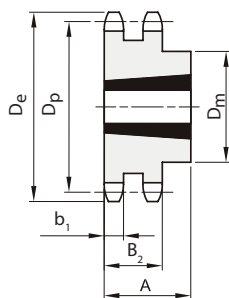
per catene a rulli secondo DIN 8187 - ISO/R 606



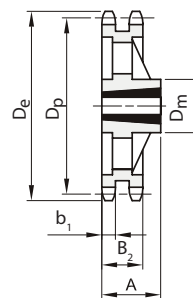
ISO 06B-2

Passo 3/8" x 7/32"

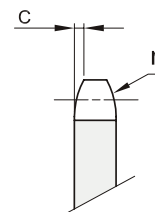
PIGNONE	[mm]
Raggio dente r_3	10
Larghezza raggio C	1
Larghezza dente b_1	5,2
Larghezza dente B_2	15,4
CATENA	[mm]
Passo	9,525
Larghezza interna	5,72
Rullo \varnothing	6,35



2



7



Z	D _e [mm]	D _p [mm]	D _m [mm]	A [mm]	Bussola SER-SIT®	Figura N°	W [kg]	Codice
17	55,5	51,83	41	22	1008	2	0,11	QPBD06B2-017
18	58,6	54,85	43	22	1008	2	0,15	QPBD06B2-018
19	61,6	57,86	46	22	1008	2	0,18	QPBD06B2-019
20	64,6	60,89	48	22	1008	2	0,22	QPBD06B2-020
21	67,6	63,90	49	22	1008	2	0,16	QPBD06B2-021
22	70,6	66,93	52	22	1108	2	0,28	QPBD06B2-022
23	73,7	69,95	59	25	1210	2	0,27	QPBD06B2-023
24	76,7	72,97	61	25	1210	2	0,32	QPBD06B2-024
25	79,7	75,99	64	25	1210	2	0,37	QPBD06B2-025
26	82,7	79,02	65	25	1210	2	0,44	QPBD06B2-026
27	85,7	82,04	70	25	1210	2	0,50	QPBD06B2-027
28	88,8	85,07	70	25	1210	2	0,57	QPBD06B2-028
30	94,8	91,12	75	25	1210	2	0,68	QPBD06B2-030
38	119,0	115,34	80	25	1610	2	1,03	QPBD06B2-038
57*	177,5	172,91	90	25	1610	7	1,16	QPBD06B2-057
76*	235,1	230,49	90	25	1610	7	2,19	QPBD06B2-076

Materiale: Acciaio C45
*Ghisa EN-GJL-200

D _e	Diametro esterno	mm
D _p	Diametro primitivo	mm
D _m	Diametro mozzo	mm
W	Peso	kg

Pignone doppio per bussola conica SER-SIT®

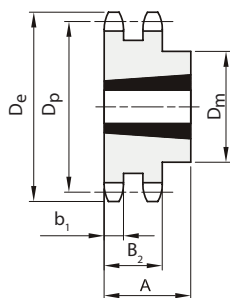
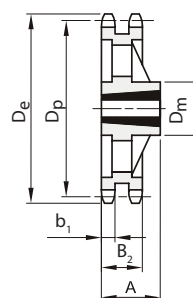
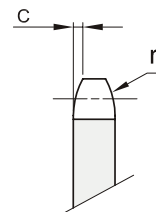
per catene a rulli secondo DIN 8187 - ISO/R 606

ISO 08B-2

Passo 1/2" x 5/16"



PIGNONE	[mm]
Raggio dente r_3	13
Larghezza raggio C	1,3
Larghezza dente b_1	7
Larghezza dente B_2	21
CATENA	[mm]
Passo	12,7
Larghezza interna	7,75
Rullo \varnothing	8,51

**2****7**

Z	D _e [mm]	D _p [mm]	D _m [mm]	A [mm]	Bussola SER-SIT®	Figura N°	W [kg]	Codice
15	65,9	61,09	46	22	1008	2	0,22	QPBD08B2-015
16	69,9	65,10	50	22	1108	2	0,22	QPBD08B2-016
17	74,0	69,11	56	25	1210	2	0,23	QPBD08B2-017
18	78,0	73,14	60	25	1210	2	0,30	QPBD08B2-018
19	82,0	77,16	62	25	1210	2	0,38	QPBD08B2-019
20	86,0	81,19	66	25	1610	2	0,45	QPBD08B2-020
21	90,1	85,22	70	25	1610	2	0,50	QPBD08B2-021
22	94,1	89,24	76	25	1610	2	0,55	QPBD08B2-022
23	98,1	93,27	79	25	1610	2	0,62	QPBD08B2-023
24	102,1	97,29	84	32	2012	2	0,68	QPBD08B2-024
25	106,2	101,33	87	32	2012	2	0,72	QPBD08B2-025
26	110,2	105,36	87	32	2012	2	0,82	QPBD08B2-026
27	114,2	109,40	87	32	2012	2	0,92	QPBD08B2-027
28	118,3	113,42	87	32	2012	2	1,10	QPBD08B2-028
30	126,3	121,50	87	32	2012	2	1,24	QPBD08B2-030
38	158,6	153,80	100	32	2012	2	2,50	QPBD08B2-038
57*	237,1	230,54	111	32	2012	7	3,64	QPBD08B2-057
76*	313,9	307,33	111	32	2012	7	5,09	QPBD08B2-076

Doppio per bussola

Materiale: Acciaio C45
*Ghisa EN-GJL-200

D _e	Diametro esterno	mm
D _p	Diametro primitivo	mm
D _m	Diametro mozzo	mm
W	Peso	kg

Pignone doppio per bussola conica SER-SIT®

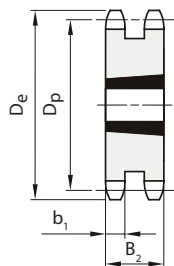
per catene a rulli secondo DIN 8187 - ISO/R 606

ISO 10B-2

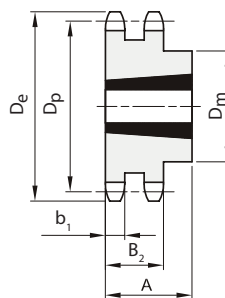
Passo 5/8" x 3/8"



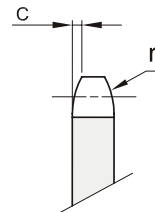
PIGNONE	[mm]
Raggio dente r_3	16
Larghezza raggio C	1,6
Larghezza dente b_1	9
Larghezza dente B_2	25,5
CATENA	[mm]
Passo	15,875
Larghezza interna	9,65
Rullo \varnothing	10,16



3



2



Z	D_e [mm]	D_p [mm]	D_m [mm]	A [mm]	Bussola SER-SIT®	Figura N°	W [kg]	Codice
15	83,2	76,35	-	25,5	1210	3	0,38	QPBD10B2-015
16	88,3	81,37	-	25,5	1610	3	0,42	QPBD10B2-016
17	93,3	86,39	-	25,5	1610	3	0,47	QPBD10B2-017
18	98,3	91,42	-	25,5	1610	3	0,60	QPBD10B2-018
19	103,3	96,44	-	25,5	1610	3	0,72	QPBD10B2-019
20	108,4	101,49	-	25,5	1610	3	0,87	QPBD10B2-020
21	113,4	106,51	-	25,5	1610	3	1,01	QPBD10B2-021
22	118,4	111,55	-	25,5	1610	3	1,18	QPBD10B2-022
23	123,5	116,58	-	25,5	1610	3	1,35	QPBD10B2-023
24	128,5	121,62	90	32,0	2012	2	1,45	QPBD10B2-024
25	133,6	126,66	90	32,0	2012	2	1,55	QPBD10B2-025
26	138,6	131,70	90	32,0	2012	2	1,75	QPBD10B2-026
27	143,6	136,74	90	32,0	2012	2	1,98	QPBD10B2-027
28	148,7	141,78	90	32,0	2012	2	2,30	QPBD10B2-028
30	158,8	151,87	90	32,0	2012	2	2,63	QPBD10B2-030

Materiale: Acciaio C45

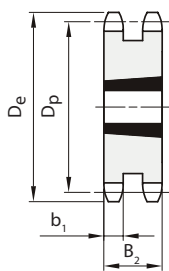
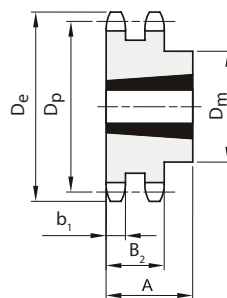
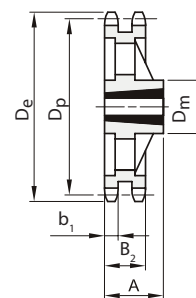
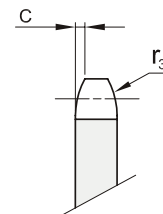
D_e	Diametro esterno	mm
D_p	Diametro primitivo	mm
D_m	Diametro mozzo	mm
W	Peso	kg

Pignone doppio per bussola conica SER-SIT®

per catene a rulli secondo DIN 8187 - ISO/R 606

ISO 12B-2**Passo 3/4" x 7/16"**

PIGNONE	[mm]
Raggio dente r_3	19
Larghezza raggio C	2
Larghezza dente b_1	10,8
Larghezza dente B_2	30,3
CATENA	[mm]
Passo	19,05
Larghezza interna	11,68
Rullo ϕ	12,07

**3****2****7**

Z	D_e [mm]	D_p [mm]	D_m [mm]	A [mm]	Bussola SER-SIT®	Figura N°	W [kg]	Codice
15	99,8	91,62	-	30,3	1610	3	0,68	QPBD12B2-015
16	105,8	97,65	-	30,3	1610	3	0,89	QPBD12B2-016
17	111,9	103,67	-	30,3	1610	3	1,14	QPBD12B2-017
18	117,9	109,71	90	32,0	2012	2	1,18	QPBD12B2-018
19	123,9	115,73	90	32,0	2012	2	1,24	QPBD12B2-019
20	130,0	121,78	108	44,0	2517	2	1,40	QPBD12B2-020
21	136,0	127,81	108	44,0	2517	2	1,68	QPBD12B2-021
22	142,0	133,86	108	44,0	2517	2	1,99	QPBD12B2-022
23	148,1	139,90	108	44,0	2517	2	2,24	QPBD12B2-023
24	154,1	145,94	108	44,0	2517	2	2,54	QPBD12B2-024
25	160,2	151,99	108	44,0	2517	2	2,87	QPBD12B2-025
26	166,2	158,04	108	44,0	2517	2	3,17	QPBD12B2-026
27	172,3	164,09	108	44,0	2517	2	3,55	QPBD12B2-027
28	178,3	170,13	108	44,0	2517	2	4,10	QPBD12B2-028
30	190,4	182,24	108	44,0	2517	2	4,62	QPBD12B2-030
38	238,9	230,69	140	51,0	3020	2	8,11	QPBD12B2-038
57*	355,9	345,81	160	51,0	3020	7	10,28	QPBD12B2-057
76*	471,1	460,99	160	51,0	3020	7	15,24	QPBD12B2-076

Materiale: Acciaio C45
*Ghisa EN-GJL-200

D_e	Diametro esterno	mm
D_p	Diametro primitivo	mm
D_m	Diametro mozzo	mm
W	Peso	kg

Pignone doppio per bussola conica SER-SIT®

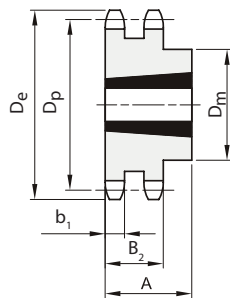
per catene a rulli secondo DIN 8187 - ISO/R 606

ISO 16B-2

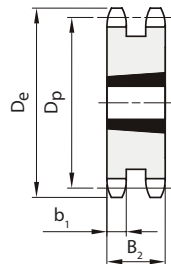
Passo 1" x 17,02 mm



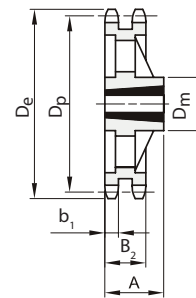
PIGNONE	[mm]
Raggio dente r_3	26
Larghezza raggio C	2,5
Larghezza dente b_1	15,8
Larghezza dente B_2	47,7
CATENA	[mm]
Passo	25,4
Larghezza interna	17,02
Rullo \varnothing	15,88



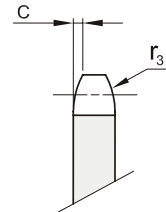
2



3



7



Z	D _e [mm]	D _p [mm]	D _m [mm]	A [mm]	Bussola SER-SIT®	Figura N°	W [kg]	Codice
15	133,7	122,16	-	47,7	2012	3	2,11	QPBD16B2-015
16	141,8	130,20	-	47,7	2517	3	2,25	QPBD16B2-016
17	149,8	138,23	-	47,7	2517	3	2,53	QPBD16B2-017
18	157,8	146,28	-	47,7	2517	3	3,10	QPBD16B2-018
19	165,9	154,31	-	47,7	2517	3	3,80	QPBD16B2-019
20	173,9	162,38	-	47,7	2517	3	4,10	QPBD16B2-020
21	182,0	170,42	140	51,0	3020	2	4,15	QPBD16B2-021
22	190,1	178,48	140	51,0	3020	2	4,90	QPBD16B2-022
23	198,1	186,53	140	51,0	3020	2	5,69	QPBD16B2-023
24	206,2	194,59	140	51,0	3020	2	6,00	QPBD16B2-024
25	214,2	202,66	140	51,0	3020	2	6,38	QPBD16B2-025
26	222,3	210,72	140	51,0	3020	2	7,80	QPBD16B2-026
27	230,4	218,79	140	51,0	3020	2	9,27	QPBD16B2-027
28	238,4	226,85	140	51,0	3020	2	11,40	QPBD16B2-028
30	254,6	242,99	140	76,0	3030	2	13,50	QPBD16B2-030
38*	319,2	307,59	160	76,0	3030	7	14,94	QPBD16B2-038
45*	377,9	364,12	160	76,0	3030	7	19,80	QPBD16B2-045
57*	474,9	461,07	175	89,0	3535	7	22,00	QPBD16B2-057
76*	628,4	614,65	175	89,0	3535	7	37,00	QPBD16B2-076

Materiale: Acciaio C45
*Ghisa EN-GJL-200

D_e Diametro esterno mm
D_p Diametro primitivo mm
D_m Diametro mozzo mm
W Peso kg

Pignone doppio per bussola conica SER-SIT®

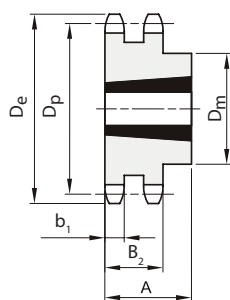
per catene a rulli secondo DIN 8187 - ISO/R 606

ISO 20B-2

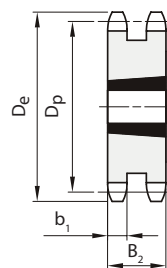
Passo 1"1/4 x 3/4"



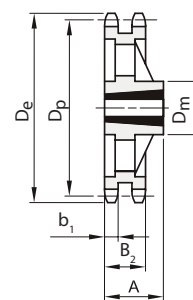
PIGNONE	[mm]
Raggio dente r_3	32
Larghezza raggio C	3,5
Larghezza dente b_1	18,2
Larghezza dente B_2	54,6
CATENA	[mm]
Passo	31,75
Larghezza interna	19,56
Rullo ϕ	19,05



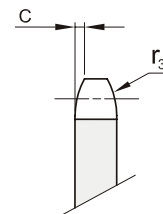
2



3



7



Z	D _e [mm]	D _p [mm]	D _m [mm]	A [mm]	Bussola SER-SIT®	Figura N°	W [kg]	Codice
13	147,5	132,65	-	54,6	2517	3	2,20	QPBD20B2-013
15	167,7	152,72	-	54,6	2517	3	4,00	QPBD20B2-015
17	187,7	172,78	-	54,6	2517	3	5,00	QPBD20B2-017
19	207,9	192,91	140	76,0	3030	2	6,30	QPBD20B2-019
21	228,0	213,04	140	76,0	3030	2	8,80	QPBD20B2-021
23	248,2	233,17	140	76,0	3030	2	9,80	QPBD20B2-023
25	268,4	253,33	140	76,0	3030	2	10,50	QPBD20B2-025
30	318,7	303,75	160	76,0	3030	2	14,00	QPBD20B2-030
38*	399,4	384,49	160	76,0	3030	7	22,00	QPBD20B2-038
57*	592,3	576,36	175	89,0	3535	7	37,00	QPBD20B2-057
76*	784,3	768,32	175	89,0	3535	7	62,00	QPBD20B2-076

Doppio per bussola

Materiale: Acciaio C45
*Ghisa EN-GJL-200

D _e	Diametro esterno	mm
D _p	Diametro primitivo	mm
D _m	Diametro mozzo	mm
W	Peso	kg

Pignone doppio per bussola conica SER-SIT®

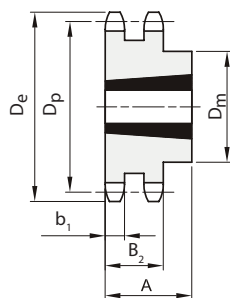
per catene a rulli secondo DIN 8187 - ISO/R 606

ISO 24B-2

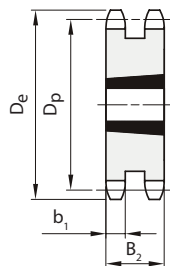
Passo 1"1/2 x 1"



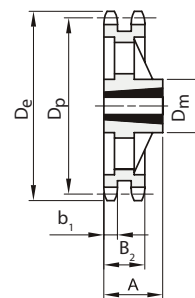
PIGNONE	[mm]
Raggio dente r_3	38
Larghezza raggio C	4
Larghezza dente b_1	23,6
Larghezza dente B_2	72
CATENA	[mm]
Passo	38,1
Larghezza interna	25,4
Rullo \varnothing	25,4



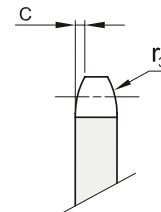
2



3



7



Z	D_e [mm]	D_p [mm]	D_m [mm]	A [mm]	Bussola SER-SIT®	Figura N°	W [kg]	Codice
13	173,0	159,18	-	72	2517	3	5,30	QPBD24B2-013
15	197,0	183,26	-	72	3020	3	6,60	QPBD24B2-015
17	221,0	207,34	-	72	3020	3	10,30	QPBD24B2-017
19	245,5	231,49	160	76	3030	2	14,80	QPBD24B2-019
21	270,5	255,65	160	76	3030	2	19,50	QPBD24B2-021
23	294,5	279,80	175	89	3535	2	24,00	QPBD24B2-023
25	319,0	304,00	175	89	3535	2	29,00	QPBD24B2-025
30	379,5	364,50	175	89	3535	2	40,00	QPBD24B2-030
38*	476,5	461,39	175	89	3535	7	44,00	QPBD24B2-038
57*	707,5	691,63	175	89	3535	7	72,00	QPBD24B2-057
76*	939,0	921,98	216	102	4040	7	107,00	QPBD24B2-076

Materiale: Acciaio C45
*Ghisa EN-GJL-200

D_e Diametro esterno mm
 D_p Diametro primitivo mm
 D_m Diametro mozzo mm
W Peso kg

PIGNONI TRIPLI PER BUSSOLA CONICA SER-SIT®

Pignone triplo per bussola conica SER-SIT®

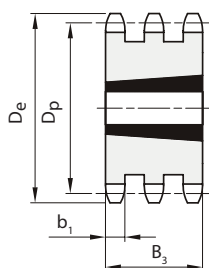
per catene a rulli secondo DIN 8187 - ISO/R 606

ISO 06B-3

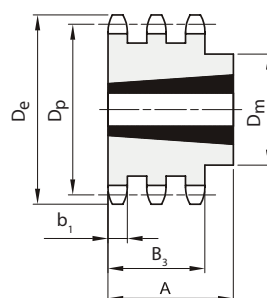
Passo 3/8" x 7/32"



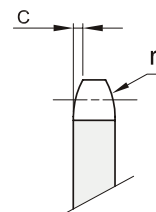
PIGNONE	[mm]
Raggio dente r_3	10
Larghezza raggio C	1
Larghezza dente b_1	5,2
Larghezza dente B_3	25,6
CATENA	[mm]
Passo	9,525
Larghezza interna	5,72
Rullo \varnothing	6,35



5



4



Z	D _e [mm]	D _p [mm]	D _m [mm]	A [mm]	Bussola SER-SIT®	Figura N°	W [kg]	Codice
17	55,5	51,83	-	25,6	1008	5	0,15	QPBT06B3-017
19	61,6	57,86	-	25,6	1008	5	0,24	QPBT06B3-019
21	67,6	63,90	-	25,6	1008	5	0,34	QPBT06B3-021
23	73,7	69,95	-	25,6	1210	5	0,30	QPBT06B3-023
25	79,7	75,99	-	25,6	1210	5	0,41	QPBT06B3-025
27	85,7	82,04	-	25,6	1210	5	0,55	QPBT06B3-027
30	94,8	91,12	79	38,0	1615	4	0,88	QPBT06B3-030
38	119,0	115,34	90	38,0	1615	4	1,75	QPBT06B3-038

Triplo per bussola

Materiale: Acciaio C45

D _e	Diametro esterno	mm
D _p	Diametro primitivo	mm
D _m	Diametro mozzo	mm
W	Peso	kg

Pignone triplo per bussola conica SER-SIT®

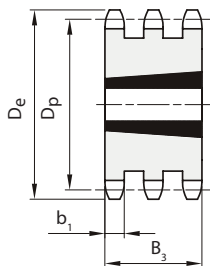
per catene a rulli secondo DIN 8187 - ISO/R 606

ISO 08B-3

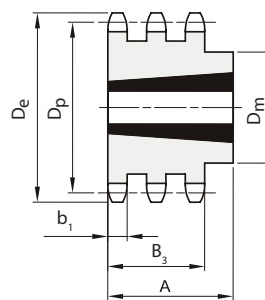
Passo 1/2" x 5/16"



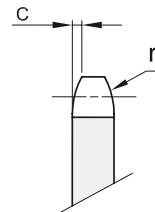
PIGNONE	[mm]
Raggio dente r_3	13
Larghezza raggio C	1,3
Larghezza dente b_1	7
Larghezza dente B_3	34,9
CATENA	[mm]
Passo	12,7
Larghezza interna	7,75
Rullo \varnothing	8,51



5



4



Z	D_e [mm]	D_p [mm]	D_m [mm]	A [mm]	Bussola SER-SIT®	Figura N°	W [kg]	Codice
15	65,9	61,09	-	34,9	1008	5	0,36	QPBT08B3-015
17	74,0	69,11	-	34,9	1210	5	0,35	QPBT08B3-017
19	82,0	77,16	62	38,0	1215	4	0,61	QPBT08B3-019
21	90,1	85,22	70	38,0	1615	4	0,65	QPBT08B3-021
23	98,1	93,27	70	38,0	1615	4	0,93	QPBT08B3-023
25	106,2	101,33	-	34,9	2012	5	0,85	QPBT08B3-025
27	114,2	109,40	-	34,9	2012	5	1,18	QPBT08B3-027
30	126,3	121,50	-	34,9	2012	5	1,73	QPBT08B3-030
38	158,6	153,80	-	34,9	2012	5	3,53	QPBT08B3-038

Materiale: Acciaio C45

D_e	Diametro esterno	mm
D_p	Diametro primitivo	mm
D_m	Diametro mozzo	mm
W	Peso	kg

Pignone triplo per bussola conica SER-SIT®

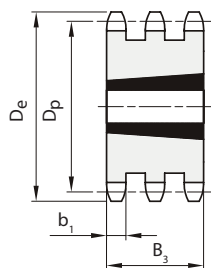
per catene a rulli secondo DIN 8187 - ISO/R 606

ISO 10B-3

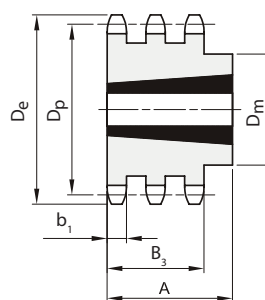
Passo 5/8" x 3/8"



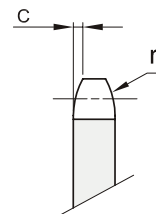
PIGNONE	[mm]
Raggio dente r_3	16
Larghezza raggio C	1,6
Larghezza dente b_1	9
Larghezza dente B_3	42,1
CATENA	[mm]
Passo	15,875
Larghezza interna	9,65
Rullo \varnothing	10,16



5



4



Z	D_e [mm]	D_p [mm]	D_m [mm]	A [mm]	Bussola SER-SIT®	Figura N°	W [kg]	Codice
15	83,2	76,35	-	42,1	1215	5	0,63	QPBT10B3-015
17	93,3	86,39	-	42,1	1215	5	1,01	QPBT10B3-017
19	103,3	96,44	-	42,1	1615	5	1,19	QPBT10B3-019
21	113,4	106,51	-	42,1	1615	5	1,66	QPBT10B3-021
23	123,5	116,58	-	42,1	2012	5	1,78	QPBT10B3-023
25	133,6	126,66	105	44,0	2517	4	1,81	QPBT10B3-025
27	143,6	136,74	110	44,0	2517	4	2,45	QPBT10B3-027
30	158,8	151,87	120	44,0	2517	4	3,54	QPBT10B3-030

Materiale: Acciaio C45

D_e	Diametro esterno	mm
D_p	Diametro primitivo	mm
D_m	Diametro mozzo	mm
W	Peso	kg

Pignone triplo per bussola conica SER-SIT®

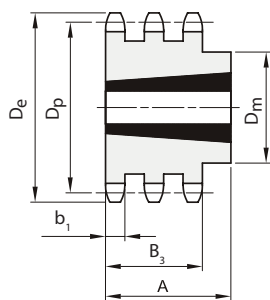
per catene a rulli secondo DIN 8187 - ISO/R 606

ISO 12B-3

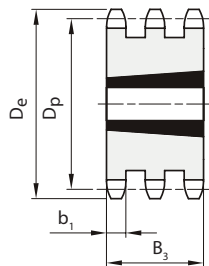
Passo 3/4" x 7/16"



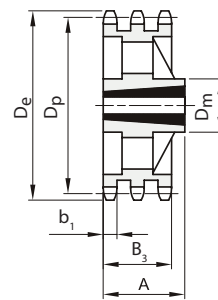
PIGNONE	[mm]
Raggio dente r_3	19
Larghezza raggio C	2
Larghezza dente b_1	10,8
Larghezza dente B_3	49,8
CATENA	[mm]
Passo	19,05
Larghezza interna	11,68
Rullo \varnothing	12,07



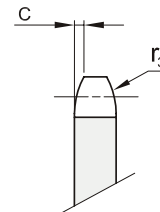
4



5



8



Z	De [mm]	Dp [mm]	Dm [mm]	A [mm]	Bussola SER-SIT®	Figura N°	W [kg]	Codice
15	99,8	91,62	-	49,8	1615	5	1,11	QPBT12B3-015
17	111,9	103,67	-	49,8	1615	5	1,75	QPBT12B3-017
19	123,9	115,73	-	49,8	2012	5	1,99	QPBT12B3-019
21	136,0	127,81	-	49,8	2517	5	2,09	QPBT12B3-021
23	148,1	139,90	-	49,8	2517	5	3,00	QPBT12B3-023
25	160,2	151,99	-	49,8	2517	5	3,98	QPBT12B3-025
27	172,3	164,09	140	51,0	3020	4	3,90	QPBT12B3-027
30	190,4	182,24	140	51,0	3020	4	5,64	QPBT12B3-030
38	238,9	230,69	140	51,0	3020	4	11,58	QPBT12B3-038
57*	355,9	345,81	160	51,0	3020	8	13,23	QPBT12B3-057

Materiale: Acciaio C45
*Ghisa EN-GJL-200

De	Diametro esterno	mm
Dp	Diametro primitivo	mm
Dm	Diametro mozzo	mm
W	Peso	kg

Pignone triplo per bussola conica SER-SIT®

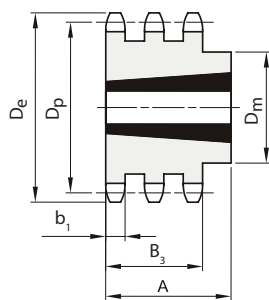
per catene a rulli secondo DIN 8187 - ISO/R 606

ISO 16B-3

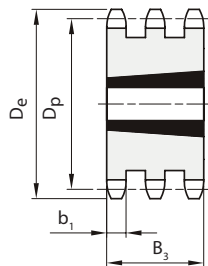
Passo 1" x 17,02"



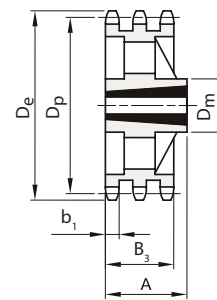
PIGNONE	[mm]
Raggio dente r_3	26
Larghezza raggio C	2,5
Larghezza dente b_1	15,8
Larghezza dente B_3	79,6
CATENA	[mm]
Passo	25,4
Larghezza interna	17,02
Rullo ϕ	15,88



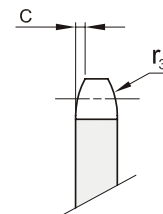
4



5



8



Z	D_e [mm]	D_p [mm]	D_m [mm]	A [mm]	Bussola SER-SIT®	Figura N°	W [kg]	Codice
17	149,8	138,23	-	79,6	2517	5	4,29	QPBT16B3-017
19	165,9	154,31	-	79,6	3030	5	4,36	QPBT16B3-019
21	182,0	170,42	-	79,6	3030	5	6,69	QPBT16B3-021
23	198,1	186,53	159	89,0	3535	4	7,80	QPBT16B3-023
25	214,2	202,66	175	89,0	3535	4	10,93	QPBT16B3-025
27	230,4	218,79	175	89,0	3535	4	14,06	QPBT16B3-027
30	254,6	242,99	175	89,0	3535	4	19,10	QPBT16B3-030
38*	319,2	307,59	175	89,0	3535	8	21,65	QPBT16B3-038
45*	377,9	364,12	175	89,0	3535	8	28,10	QPBT16B3-045
57*	474,9	461,07	216	102,0	4040	8	40,50	QPBT16B3-057
76*	628,4	614,65	216	102,0	4040	8	53,30	QPBT16B3-076

Triplo per bussola

Materiale: Acciaio C45
*Ghisa EN-GJL-200

D_e	Diametro esterno	mm
D_p	Diametro primitivo	mm
D_m	Diametro mozzo	mm
W	Peso	kg

Pignone triplo per bussola conica SER-SIT®

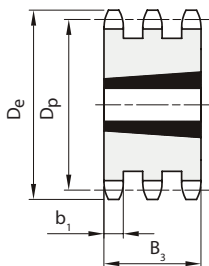
per catene a rulli secondo DIN 8187 - ISO/R 606

ISO 20B-3

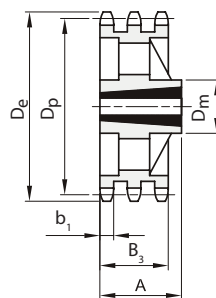
Passo 1"1/4 x 3/4"



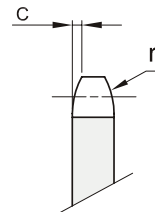
PIGNONE	[mm]
Raggio dente r_3	32
Larghezza raggio C	3,5
Larghezza dente b_1	18,2
Larghezza dente B_3	91
CATENA	[mm]
Passo	31,75
Larghezza interna	19,56
Rullo \varnothing	19,05



5



8



Z	D _e [mm]	D _p [mm]	D _m [mm]	A [mm]	Bussola SER-SIT®	Figura N°	W [kg]	Codice
15	167,7	152,72	-	91	3020	5	4,43	QPBT20B3-015
17	187,7	172,78	-	91	3030	5	7,39	QPBT20B3-017
19	207,9	192,91	-	91	3030	5	11,65	QPBT20B3-019
21	228,0	213,04	-	91	3535	5	12,80	QPBT20B3-021
23	248,2	233,17	-	91	3535	5	17,38	QPBT20B3-023
25	268,4	253,33	-	91	3535	5	22,40	QPBT20B3-025
30	318,7	303,75	-	91	3535	5	36,50	QPBT20B3-030
38*	399,4	384,49	178	91	3535	8	28,00	QPBT20B3-038
57*	592,3	576,36	216	102	4040	8	42,00	QPBT20B3-057
76*	784,3	768,32	260	114	4545	8	85,00	QPBT20B3-076

Materiale: Acciaio C45
*Ghisa EN-GJL-200

D_e Diametro esterno mm
D_p Diametro primitivo mm
D_m Diametro mozzo mm
W Peso kg

Pignone triplo per bussola conica SER-SIT®

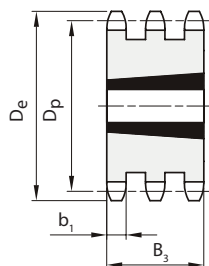
per catene a rulli secondo DIN 8187 - ISO/R 606

ISO 24B-3

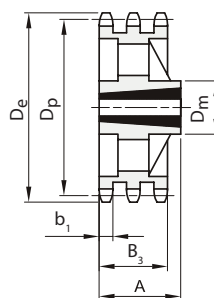
Passo 1"1/2 x 1"



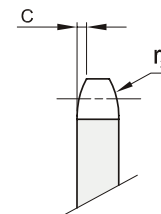
PIGNONE	[mm]
Raggio dente r_3	38
Larghezza raggio C	4
Larghezza dente b_1	23,6
Larghezza dente B_3	120,3
CATENA	[mm]
Passo	38,1
Larghezza interna	25,4
Rullo \varnothing	25,4



5



8



Z	D_e [mm]	D_p [mm]	D_m [mm]	A [mm]	Bussola SER-SIT®	Figura N°	W [kg]	Codice
15	197,0	183,26	-	120,3	3030	5	20,00	QPBT24B3-015
17	221,0	207,34	-	120,3	3030	5	25,00	QPBT24B3-017
19	245,5	231,49	-	120,3	3535	5	30,00	QPBT24B3-019
21	270,5	255,65	-	120,3	4040	5	35,00	QPBT24B3-021
23	294,5	279,80	-	120,3	4040	5	44,00	QPBT24B3-023
25	319,0	304,00	-	120,3	4040	5	50,00	QPBT24B3-025
30	379,5	364,50	-	120,3	4040	5	60,00	QPBT24B3-030
38*	476,5	461,39	-	120,3	4040	8	66,00	QPBT24B3-038
57*	707,5	691,63	-	120,3	4545	8	120,00	QPBT24B3-057
76*	939,0	921,98	-	120,3	4545	8	131,00	QPBT24B3-076

Materiale: Acciaio C45
*Ghisa EN-GJL-200

D_e	Diametro esterno	mm
D_p	Diametro primitivo	mm
D_m	Diametro mozzo	mm
W	Peso	kg

Pignoni semplici temprati con foro finito



PIGNONI FORO FINITO



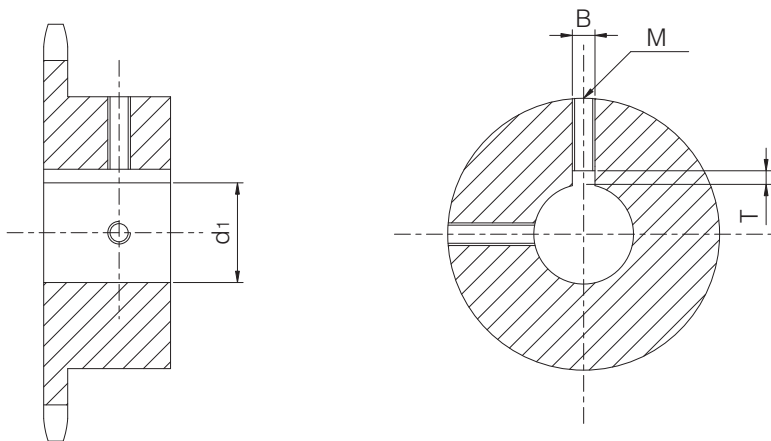
INDICE

PIGNONE SEMPLICI TEMPRATI CON FORO FINITO	Pag.
Pignone semplice	
Dimensioni foro, cava e grano di fissaggio (DIN 8187 - ISO/R 606)	101
ISO 06B-1 Passo 3/8" x 7/32"	102 - 103
ISO 08B-1 Passo 1/2" x 5/16"	104 - 105
ISO 10B-1 Passo 5/8" x 3/8"	106 - 107
ISO 12B-1 Passo 3/4" x 7/16"	108 - 109
ISO 16B-1 Passo 1" x 17,02 mm	110 - 111

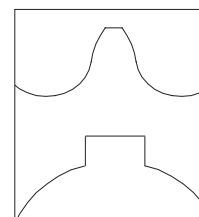


Pignoni semplici con denti temprati ad induzione con foro finito, cava e due viti di pressione

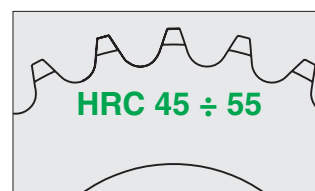
Dimensione foro, cava e grano di fissaggio secondo DIN 8187 - ISO/R 606



Ø foro d ₁ (H7)	B (H9)	T	M
10	4	1,8 (+0,10/0)	M3
11	4	1,8 (+0,10/0)	M3
12	4	1,8 (+0,10/0)	M3
14	5	2,3 (+0,10/0)	M4
16	5	2,3 (+0,10/0)	M4
18	6	2,8 (+0,10/0)	M5
19	6	2,8 (+0,10/0)	M5
20	6	2,8 (+0,10/0)	M5
22	6	2,8 (+0,10/0)	M5
24	8	3,3 (+0,20/0)	M6
25	8	3,3 (+0,20/0)	M6
28	8	3,3 (+0,20/0)	M6
30	8	3,3 (+0,20/0)	M6
32	10	3,3 (+0,20/0)	M8
35	10	3,3 (+0,20/0)	M8
38	10	3,3 (+0,20/0)	M8
40	12	3,3 (+0,20/0)	M10
42	12	3,3 (+0,20/0)	M10
45	14	3,8 (+0,20/0)	M12
48	14	3,8 (+0,20/0)	M12
50	14	3,8 (+0,20/0)	M12
60	18	4,4 (+0,20/0)	M12
65	18	4,4 (+0,20/0)	M12
70	20	4,9 (+0,20/0)	M12



La sede della chiavetta è in asse con il dente



Pignone semplice temprato con foro finito

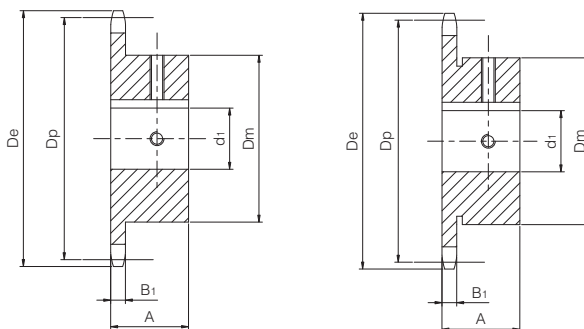
DIN 8187 - ISO/R 606

ISO 06B-1

Passo 3/8" x 7/32"



PIGNONE		[mm]
Raggio dente r_3	10	
Larghezza raggio C	1	
Larghezza dente B_1	5,3	
CATENA		[mm]
Passo	9,525	
Larghezza interna	5,72	
Rullo ϕ	6,35	



Tipo = *

Z	De [mm]	Dp [mm]	Dm [mm]	d1 [mm]	A [mm]	W [kg]	Codice
10	34	30,82	24	10	22	0,08	QPF06B1-010F10
	34	30,82	26	12	22	0,09	QPF06B1-010F12
	34	30,82	29	14	22	0,10	QPF06B1-010F14
11	37	33,8	24	10	25	0,10	QPF06B1-011F10
	37	33,8	26	12	25	0,11	QPF06B1-011F12
	37	33,8	*29	14	25	0,12	QPF06B1-011F14
12	40	36,8	25	10	25	0,11	QPF06B1-012F10
	40	36,8	26	12	25	0,11	QPF06B1-012F12
	40	36,8	29	14	25	0,13	QPF06B1-012F14
13	43	39,79	*31	16	25	0,12	QPF06B1-011F16
	43	39,79	28	10	25	0,14	QPF06B1-013F10
	43	39,79	28	12	25	0,13	QPF06B1-013F12
	43	39,79	29	14	25	0,13	QPF06B1-013F14
	43	39,79	31	15	25	0,14	QPF06B1-013F15
	43	39,79	31	16	25	0,14	QPF06B1-013F16
14	46,3	42,8	18	25	0,16	QPF06B1-013F18	
	46,3	42,8	31	12	25	0,17	QPF06B1-014F12
	46,3	42,8	31	14	25	0,16	QPF06B1-014F14
	46,3	42,8	31	16	25	0,15	QPF06B1-014F16
	46,3	42,8	35	18	25	0,17	QPF06B1-014F18
15	49,3	45,81	35	19	25	0,16	QPF06B1-014F19
	49,3	45,81	34	12	25	0,20	QPF06B1-015F12
	49,3	45,81	34	14	25	0,19	QPF06B1-015F14
	49,3	45,81	34	15	25	0,19	QPF06B1-015F15
	49,3	45,81	34	16	25	0,18	QPF06B1-015F16
	49,3	45,81	34	18	25	0,17	QPF06B1-015F18
	49,3	45,81	35	19	25	0,17	QPF06B1-015F19
	49,3	45,81	36	20	25	0,18	QPF06B1-015F20
16	52,3	48,82	37	20	25	0,18	QPF06B1-015F20
	52,3	48,82	37	12	28	0,26	QPF06B1-016F12
	52,3	48,82	37	14	28	0,25	QPF06B1-016F14
	52,3	48,82	37	15	28	0,24	QPF06B1-016F15
	52,3	48,82	37	16	28	0,24	QPF06B1-016F16
	52,3	48,82	37	18	28	0,23	QPF06B1-016F18
	52,3	48,82	37	19	28	0,22	QPF06B1-016F19
	52,3	48,82	37	20	28	0,21	QPF06B1-016F20
	52,3	48,82	37	22	28	0,20	QPF06B1-016F22
17	52,3	48,82	42	24	28	0,24	QPF06B1-016F24
	52,3	48,82	42	25	28	0,23	QPF06B1-016F25

Z	De [mm]	Dp [mm]	Dm [mm]	d1 [mm]	A [mm]	W [kg]	Codice	
17	55,3	51,83	40	12	28	0,30	QPF06B1-017F12	
	55,3	51,83	40	14	28	0,29	QPF06B1-017F14	
	55,3	51,83	40	15	28	0,29	QPF06B1-017F15	
	55,3	51,83	40	16	28	0,28	QPF06B1-017F16	
	55,3	51,83	40	18	28	0,27	QPF06B1-017F18	
	55,3	51,83	40	19	28	0,26	QPF06B1-017F19	
	55,3	51,83	40	20	28	0,26	QPF06B1-017F20	
	55,3	51,83	40	22	28	0,24	QPF06B1-017F22	
	55,3	51,83	40	24	28	0,23	QPF06B1-017F24	
	55,3	51,83	42	25	28	0,24	QPF06B1-017F25	
	18	58,3	54,85	43	12	28	0,35	QPF06B1-018F12
		58,3	54,85	43	14	28	0,34	QPF06B1-018F14
58,3		54,85	43	15	28	0,33	QPF06B1-018F15	
58,3		54,85	43	16	28	0,33	QPF06B1-018F16	
58,3		54,85	43	18	28	0,32	QPF06B1-018F18	
58,3		54,85	43	19	28	0,31	QPF06B1-018F19	
58,3		54,85	43	20	28	0,30	QPF06B1-018F20	
58,3		54,85	43	22	28	0,29	QPF06B1-018F22	
58,3		54,85	43	24	28	0,27	QPF06B1-018F24	
58,3		54,85	43	25	28	0,26	QPF06B1-018F25	
19		61,3	57,87	45	12	28	0,38	QPF06B1-019F12
		61,3	57,87	45	14	28	0,37	QPF06B1-019F14
	61,3	57,87	45	15	28	0,37	QPF06B1-019F15	
	61,3	57,87	45	16	28	0,36	QPF06B1-019F16	
	61,3	57,87	45	18	28	0,35	QPF06B1-019F18	
	61,3	57,87	45	19	28	0,35	QPF06B1-019F19	
	61,3	57,87	45	20	28	0,34	QPF06B1-019F20	
	61,3	57,87	45	22	28	0,32	QPF06B1-019F22	
	61,3	57,87	45	24	28	0,31	QPF06B1-019F24	
	61,3	57,87	45	25	28	0,30	QPF06B1-019F25	
	20	64,3	60,89	46	12	28	0,41	QPF06B1-020F12
		64,3	60,89	46	14	28	0,40	QPF06B1-020F14
64,3		60,89	46	16	28	0,39	QPF06B1-020F16	
64,3		60,89	46	18	28	0,38	QPF06B1-020F18	
64,3		60,89	46	19	28	0,37	QPF06B1-020F19	
64,3		60,89	46	20	28	0,36	QPF06B1-020F20	
64,3		60,89	46	22	28	0,35	QPF06B1-020F22	
64,3		60,89	46	24	28	0,33	QPF06B1-020F24	
64,3		60,89	46	25	28	0,33	QPF06B1-020F25	

Materiale: C45

De Diametro esterno mm
 Dp Diametro primitivo mm
 Dm Diametro mozzo mm
 W Peso kg



Z	D _e [mm]	D _p [mm]	D _m [mm]	d ₁ [mm]	A [mm]	W [kg]	Codice
21	68	63,91	48	16	28	0,43	QPF06B1-021F16
	68	63,91	48	18	28	0,42	QPF06B1-021F18
	68	63,91	48	19	28	0,41	QPF06B1-021F19
	68	63,91	48	20	28	0,41	QPF06B1-021F20
	68	63,91	48	22	28	0,39	QPF06B1-021F22
	68	63,91	48	24	28	0,38	QPF06B1-021F24
	68	63,91	48	25	28	0,37	QPF06B1-021F25
22	71	66,93	50	16	28	0,47	QPF06B1-022F16
	71	66,93	50	18	28	0,46	QPF06B1-022F18
	71	66,93	50	19	28	0,46	QPF06B1-022F19
	71	66,93	50	20	28	0,45	QPF06B1-022F20
	71	66,93	50	22	28	0,43	QPF06B1-022F22
	71	66,93	50	24	28	0,42	QPF06B1-022F24
	71	66,93	50	25	28	0,41	QPF06B1-022F25
23	73,5	69,95	52	16	28	0,51	QPF06B1-023F16
	73,5	69,95	52	18	28	0,50	QPF06B1-023F18
	73,5	69,95	52	19	28	0,50	QPF06B1-023F19
	73,5	69,95	52	20	28	0,49	QPF06B1-023F20
	73,5	69,95	52	22	28	0,47	QPF06B1-023F22
	73,5	69,95	52	24	28	0,46	QPF06B1-023F24
	73,5	69,95	52	25	28	0,45	QPF06B1-023F25
24	77	72,97	54	16	28	0,56	QPF06B1-024F16
	77	72,97	54	18	28	0,55	QPF06B1-024F18
	77	72,97	54	19	28	0,54	QPF06B1-024F19
	77	72,97	54	20	28	0,54	QPF06B1-024F20
	77	72,97	54	22	28	0,52	QPF06B1-024F22
	77	72,97	54	24	28	0,51	QPF06B1-024F24
	77	72,97	54	25	28	0,50	QPF06B1-024F25
25	80	76,02	57	16	28	0,62	QPF06B1-025F16
	80	76,02	57	18	28	0,61	QPF06B1-025F18
	80	76,02	57	19	28	0,61	QPF06B1-025F19
	80	76,02	57	20	28	0,60	QPF06B1-025F20
	80	76,02	57	22	28	0,58	QPF06B1-025F22
	80	76,02	57	24	28	0,57	QPF06B1-025F24
	80	76,02	57	25	28	0,56	QPF06B1-025F25
	80	76,02	57	28	28	0,53	QPF06B1-025F28
80	76,02	57	30	28	0,51	QPF06B1-025F30	

Materiale: C45

D _e	Diametro esterno	mm
D _p	Diametro primitivo	mm
D _m	Diametro mozzo	mm
W	Peso	kg

Pignone semplice temprato con foro finito

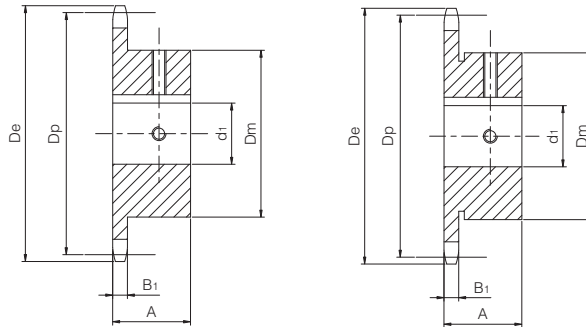
DIN 8187 - ISO/R 606

ISO 08B1

Passo 1/2" x 5/16"



PIGNONE		[mm]
Raggio dente r_3	13	
Larghezza raggio C	1,3	
Larghezza dente B_1	7,2	
CATENA		[mm]
Passo	12,7	
Larghezza interna	7,75	
Rullo ϕ	8,51	



Tipo = *

Z	De [mm]	Dp [mm]	Dm [mm]	d1 [mm]	A [mm]	W [kg]	Codice
10	45,2	41,1	26	12	25	0,14	QPF08B1-010F12
	45,2	41,1	29	14	25	0,15	QPF08B1-010F14
	45,2	41,1	31	16	25	0,16	QPF08B1-010F16
11	48,7	45,07	29	12	25	0,18	QPF08B1-011F12
	48,7	45,07	29	14	25	0,17	QPF08B1-011F14
	48,7	45,07	31	16	25	0,17	QPF08B1-011F16
	48,7	45,07	34	18	25	0,18	QPF08B1-011F18
12	48,7	45,07	35	19	25	0,19	QPF08B1-011F19
	53	49,07	33	12	28	0,24	QPF08B1-012F12
	53	49,07	33	14	28	0,23	QPF08B1-012F14
	53	49,07	33	16	28	0,22	QPF08B1-012F16
	53	49,07	33	18	28	0,21	QPF08B1-012F18
	53	49,07	35	19	28	0,22	QPF08B1-012F19
	53	49,07	36	20	28	0,22	QPF08B1-012F20
13	53	49,07	38	22	28	0,23	QPF08B1-012F22
	53	49,07	*41	24	28	0,24	QPF08B1-012F24
	53	49,07	*42	25	28	0,24	QPF08B1-012F25
	57,4	53,06	37	12	28	0,30	QPF08B1-013F12
	57,4	53,06	37	14	28	0,29	QPF08B1-013F14
	57,4	53,06	37	15	28	0,28	QPF08B1-013F15
	57,4	53,06	37	16	28	0,28	QPF08B1-013F16
	57,4	53,06	37	18	28	0,27	QPF08B1-013F18
	57,4	53,06	37	19	28	0,26	QPF08B1-013F19
	57,4	53,06	37	20	28	0,25	QPF08B1-013F20
14	57,4	53,06	37	22	28	0,24	QPF08B1-013F22
	57,4	53,06	42	24	28	0,27	QPF08B1-013F24
	57,4	53,06	42	25	28	0,27	QPF08B1-013F25
	57,4	53,06	*45	28	28	0,27	QPF08B1-013F28
	61,8	57,07	41	12	28	0,36	QPF08B1-014F12
	61,8	57,07	41	14	28	0,35	QPF08B1-014F14
	61,8	57,07	41	15	28	0,35	QPF08B1-014F15
	61,8	57,07	41	16	28	0,34	QPF08B1-014F16
	61,8	57,07	41	18	28	0,33	QPF08B1-014F18
	61,8	57,07	41	19	28	0,32	QPF08B1-014F19
15	61,8	57,07	41	20	28	0,32	QPF08B1-014F20
	61,8	57,07	41	22	28	0,30	QPF08B1-014F22
	61,8	57,07	41	24	28	0,29	QPF08B1-014F24
	61,8	57,07	41	25	28	0,28	QPF08B1-014F25
	61,8	57,07	45	28	28	0,30	QPF08B1-014F28
	61,8	57,07	45	28	28	0,30	QPF08B1-014F28
	61,8	57,07	45	28	28	0,30	QPF08B1-014F28
	61,8	57,07	45	28	28	0,30	QPF08B1-014F28
	61,8	57,07	45	28	28	0,30	QPF08B1-014F28
	61,8	57,07	45	28	28	0,30	QPF08B1-014F28

Z	De [mm]	Dp [mm]	Dm [mm]	d1 [mm]	A [mm]	W [kg]	Codice	
15	65,5	61,09	45	12	28	0,43	QPF08B1-015F12	
	65,5	61,09	45	14	28	0,42	QPF08B1-015F14	
	65,5	61,09	45	15	28	0,41	QPF08B1-015F15	
	65,5	61,09	45	16	28	0,41	QPF08B1-015F16	
	65,5	61,09	45	18	28	0,40	QPF08B1-015F18	
	65,5	61,09	45	19	28	0,39	QPF08B1-015F19	
	65,5	61,09	45	20	28	0,38	QPF08B1-015F20	
	65,5	61,09	45	22	28	0,37	QPF08B1-015F22	
	65,5	61,09	45	24	28	0,35	QPF08B1-015F24	
	65,5	61,09	45	25	28	0,34	QPF08B1-015F25	
	65,5	61,09	45	28	28	0,32	QPF08B1-015F28	
	65,5	61,09	47	30	28	0,32	QPF08B1-015F30	
	65,5	61,09	49	32	28	0,32	QPF08B1-015F32	
	16	69,5	65,1	50	16	28	0,49	QPF08B1-016F16
		69,5	65,1	50	18	28	0,48	QPF08B1-016F18
69,5		65,1	50	19	28	0,48	QPF08B1-016F19	
69,5		65,1	50	20	28	0,47	QPF08B1-016F20	
69,5		65,1	50	22	28	0,45	QPF08B1-016F22	
69,5		65,1	50	24	28	0,44	QPF08B1-016F24	
69,5		65,1	50	25	28	0,43	QPF08B1-016F25	
69,5		65,1	50	28	28	0,40	QPF08B1-016F28	
69,5		65,1	50	30	28	0,38	QPF08B1-016F30	
69,5		65,1	53	32	28	0,40	QPF08B1-016F32	
17	73,6	69,11	52	16	28	0,55	QPF08B1-017F16	
	73,6	69,11	52	18	28	0,53	QPF08B1-017F18	
	73,6	69,11	52	19	28	0,53	QPF08B1-017F19	
	73,6	69,11	52	20	28	0,52	QPF08B1-017F20	
	73,6	69,11	52	22	28	0,51	QPF08B1-017F22	
	73,6	69,11	52	24	28	0,49	QPF08B1-017F24	
	73,6	69,11	52	25	28	0,48	QPF08B1-017F25	
	73,6	69,11	52	28	28	0,45	QPF08B1-017F28	
	73,6	69,11	52	30	28	0,43	QPF08B1-017F30	
	73,6	69,11	52	32	28	0,41	QPF08B1-017F32	

Materiale: C45

De	Diametro esterno	mm
Dp	Diametro primitivo	mm
Dm	Diametro mozzo	mm
W	Peso	kg



Z	D _e [mm]	D _p [mm]	D _m [mm]	d ₁ [mm]	A [mm]	W [kg]	Codice
18	77,8	73,14	56	16	28	0,63	QPF08B1-018F16
	77,8	73,14	56	18	28	0,62	QPF08B1-018F18
	77,8	73,14	56	19	28	0,61	QPF08B1-018F19
	77,8	73,14	56	20	28	0,61	QPF08B1-018F20
	77,8	73,14	56	22	28	0,59	QPF08B1-018F22
	77,8	73,14	56	24	28	0,58	QPF08B1-018F24
	77,8	73,14	56	25	28	0,57	QPF08B1-018F25
	77,8	73,14	56	28	28	0,54	QPF08B1-018F28
	77,8	73,14	56	30	28	0,52	QPF08B1-018F30
	77,8	73,14	56	32	28	0,50	QPF08B1-018F32
77,8	73,14	56	35	28	0,46	QPF08B1-018F35	
77,8	73,14	56	38	28	0,42	QPF08B1-018F38	
19	81,7	77,16	60	16	28	0,72	QPF08B1-019F16
	81,7	77,16	60	18	28	0,71	QPF08B1-019F18
	81,7	77,16	60	19	28	0,70	QPF08B1-019F19
	81,7	77,16	60	20	28	0,69	QPF08B1-019F20
	81,7	77,16	60	22	28	0,68	QPF08B1-019F22
	81,7	77,16	60	24	28	0,66	QPF08B1-019F24
	81,7	77,16	60	25	28	0,65	QPF08B1-019F25
	81,7	77,16	60	28	28	0,63	QPF08B1-019F28
	81,7	77,16	60	30	28	0,61	QPF08B1-019F30
	81,7	77,16	60	32	28	0,58	QPF08B1-019F32
81,7	77,16	60	35	28	0,55	QPF08B1-019F35	
81,7	77,16	60	38	28	0,51	QPF08B1-019F38	
20	85,8	81,19	64	16	28	0,81	QPF08B1-020F16
	85,8	81,19	64	18	28	0,80	QPF08B1-020F18
	85,8	81,19	64	19	28	0,79	QPF08B1-020F19
	85,8	81,19	64	20	28	0,79	QPF08B1-020F20
	85,8	81,19	64	22	28	0,77	QPF08B1-020F22
	85,8	81,19	64	24	28	0,76	QPF08B1-020F24
	85,8	81,19	64	25	28	0,75	QPF08B1-020F25
	85,8	81,19	64	28	28	0,72	QPF08B1-020F28
	85,8	81,19	64	30	28	0,70	QPF08B1-020F30
	85,8	81,19	64	32	28	0,68	QPF08B1-020F32
85,8	81,19	64	35	28	0,64	QPF08B1-020F35	
85,8	81,19	64	38	28	0,61	QPF08B1-020F38	
21	89,7	85,22	68	16	28	0,91	QPF08B1-021F16
	89,7	85,22	68	18	28	0,90	QPF08B1-021F18
	89,7	85,22	68	19	28	0,89	QPF08B1-021F19
	89,7	85,22	68	20	28	0,89	QPF08B1-021F20
	89,7	85,22	68	22	28	0,87	QPF08B1-021F22
	89,7	85,22	68	24	28	0,86	QPF08B1-021F24
	89,7	85,22	68	25	28	0,85	QPF08B1-021F25
	89,7	85,22	68	28	28	0,82	QPF08B1-021F28
	89,7	85,22	68	30	28	0,80	QPF08B1-021F30
	89,7	85,22	68	32	28	0,78	QPF08B1-021F32
89,7	85,22	68	35	28	0,74	QPF08B1-021F35	
89,7	85,22	68	38	28	0,71	QPF08B1-021F38	

Z	D _e [mm]	D _p [mm]	D _m [mm]	d ₁ [mm]	A [mm]	W [kg]	Codice
22	93,8	89,24	70	16	28	0,98	QPF08B1-022F16
	93,8	89,24	70	18	28	0,97	QPF08B1-022F18
	93,8	89,24	70	19	28	0,96	QPF08B1-022F19
	93,8	89,24	70	20	28	0,96	QPF08B1-022F20
	93,8	89,24	70	22	28	0,94	QPF08B1-022F22
	93,8	89,24	70	24	28	0,93	QPF08B1-022F24
	93,8	89,24	70	25	28	0,92	QPF08B1-022F25
	93,8	89,24	70	28	28	0,89	QPF08B1-022F28
	93,8	89,24	70	30	28	0,87	QPF08B1-022F30
	93,8	89,24	70	32	28	0,85	QPF08B1-022F32
93,8	89,24	70	35	28	0,81	QPF08B1-022F35	
93,8	89,24	70	38	28	0,77	QPF08B1-022F38	
23	98,2	93,27	70	19	28	1,00	QPF08B1-023F19
	98,2	93,27	70	20	28	0,99	QPF08B1-023F20
	98,2	93,27	70	22	28	0,98	QPF08B1-023F22
	98,2	93,27	70	24	28	0,96	QPF08B1-023F24
	98,2	93,27	70	25	28	0,95	QPF08B1-023F25
	98,2	93,27	70	28	28	0,93	QPF08B1-023F28
	98,2	93,27	70	30	28	0,91	QPF08B1-023F30
	98,2	93,27	70	32	28	0,89	QPF08B1-023F32
	98,2	93,27	70	35	28	0,85	QPF08B1-023F35
	98,2	93,27	70	38	28	0,81	QPF08B1-023F38
24	101,8	97,29	70	19	28	1,03	QPF08B1-024F19
	101,8	97,29	70	20	28	1,03	QPF08B1-024F20
	101,8	97,29	70	22	28	1,01	QPF08B1-024F22
	101,8	97,29	70	24	28	1,00	QPF08B1-024F24
	101,8	97,29	70	25	28	0,99	QPF08B1-024F25
	101,8	97,29	70	28	28	0,96	QPF08B1-024F28
	101,8	97,29	70	30	28	0,94	QPF08B1-024F30
	101,8	97,29	70	32	28	0,92	QPF08B1-024F32
	101,8	97,29	70	35	28	0,88	QPF08B1-024F35
	101,8	97,29	70	38	28	0,84	QPF08B1-024F38
25	105,8	101,33	70	19	28	1,07	QPF08B1-025F19
	105,8	101,33	70	20	28	1,06	QPF08B1-025F20
	105,8	101,33	70	22	28	1,05	QPF08B1-025F22
	105,8	101,33	70	24	28	1,03	QPF08B1-025F24
	105,8	101,33	70	25	28	1,02	QPF08B1-025F25
	105,8	101,33	70	28	28	1,00	QPF08B1-025F28
	105,8	101,33	70	30	28	0,98	QPF08B1-025F30
	105,8	101,33	70	32	28	0,95	QPF08B1-025F32
	105,8	101,33	70	35	28	0,92	QPF08B1-025F35
	105,8	101,33	70	38	28	0,88	QPF08B1-025F38

Pignone foro finito

Materiale: C45

D _e	Diametro esterno	mm
D _p	Diametro primitivo	mm
D _m	Diametro mozzo	mm
W	Peso	kg

Pignone semplice temprato con foro finito

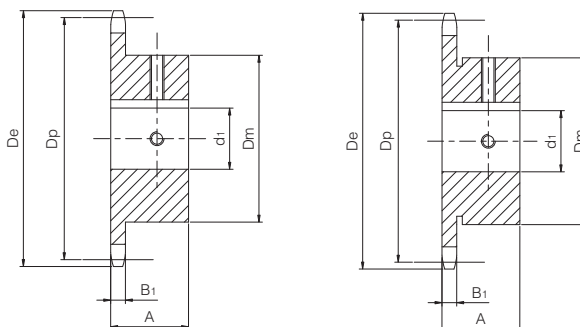
DIN 8187 - ISO/R 606

ISO 10B-1

Passo 5/8" x 3/8"



PIGNONE		[mm]
Raggio dente r_3	16	
Larghezza raggio C	1,6	
Larghezza dente B_1	9,1	
CATENA		[mm]
Passo	15,875	
Larghezza interna	9,65	
Rullo ϕ	10,16	



Tipo = *

Z	De [mm]	Dp [mm]	Dm [mm]	d1 [mm]	A [mm]	W [kg]	Codice
10	57,5	51,37	35	16	25	0,27	QPF10B1-010F16
	57,5	51,37	35	19	25	0,25	QPF10B1-010F19
	57,5	51,37	35	20	25	0,25	QPF10B1-010F20
	57,5	51,37	*42	24	25	0,27	QPF10B1-010F24
11	63	56,34	37	16	30	0,35	QPF10B1-011F16
	63	56,34	37	18	30	0,34	QPF10B1-011F18
	63	56,34	37	19	30	0,33	QPF10B1-011F19
	63	56,34	37	20	30	0,33	QPF10B1-011F20
	63	56,34	42	24	30	0,35	QPF10B1-011F24
	63	56,34	42	25	30	0,34	QPF10B1-011F25
12	63	56,34	45	28	30	0,34	QPF10B1-011F28
	68	61,34	42	16	30	0,44	QPF10B1-012F16
	68	61,34	42	18	30	0,43	QPF10B1-012F18
	68	61,34	42	19	30	0,42	QPF10B1-012F19
	68	61,34	42	20	30	0,42	QPF10B1-012F20
	68	61,34	42	22	30	0,40	QPF10B1-012F22
	68	61,34	42	24	30	0,38	QPF10B1-012F24
	68	61,34	44	25	30	0,40	QPF10B1-012F25
	68	61,34	47	28	30	0,40	QPF10B1-012F28
	68	61,34	49	30	30	0,40	QPF10B1-012F30
13	68	61,34	51	32	30	0,41	QPF10B1-012F32
	73	66,32	47	16	30	0,54	QPF10B1-013F16
	73	66,32	47	18	30	0,53	QPF10B1-013F18
	73	66,32	47	19	30	0,52	QPF10B1-013F19
	73	66,32	47	20	30	0,51	QPF10B1-013F20
	73	66,32	47	22	30	0,50	QPF10B1-013F22
	73	66,32	47	24	30	0,48	QPF10B1-013F24
	73	66,32	47	25	30	0,47	QPF10B1-013F25
	73	66,32	47	28	30	0,44	QPF10B1-013F28
	73	66,32	49	30	30	0,44	QPF10B1-013F30
14	73	66,32	51	32	30	0,45	QPF10B1-013F32
	78	71,34	52	16	30	0,65	QPF10B1-014F16
	78	71,34	52	18	30	0,63	QPF10B1-014F18
	78	71,34	52	19	30	0,63	QPF10B1-014F19
	78	71,34	52	20	30	0,62	QPF10B1-014F20
	78	71,34	52	22	30	0,60	QPF10B1-014F22
	78	71,34	52	24	30	0,59	QPF10B1-014F24
	78	71,34	52	25	30	0,58	QPF10B1-014F25
	78	71,34	52	28	30	0,55	QPF10B1-014F28
	78	71,34	52	30	30	0,53	QPF10B1-014F30
78	71,34	52	32	30	0,50	QPF10B1-014F32	

Z	De [mm]	Dp [mm]	Dm [mm]	d1 [mm]	A [mm]	W [kg]	Codice
15	83	76,36	57	19	30	0,74	QPF10B1-015F19
	83	76,36	57	20	30	0,74	QPF10B1-015F20
	83	76,36	57	22	30	0,72	QPF10B1-015F22
	83	76,36	57	24	30	0,70	QPF10B1-015F24
	83	76,36	57	25	30	0,69	QPF10B1-015F25
	83	76,36	57	28	30	0,66	QPF10B1-015F28
	83	76,36	57	30	30	0,64	QPF10B1-015F30
	83	76,36	57	32	30	0,62	QPF10B1-015F32
	83	76,36	57	35	30	0,58	QPF10B1-015F35
16	88	81,37	60	19	30	0,84	QPF10B1-016F19
	88	81,37	60	20	30	0,83	QPF10B1-016F20
	88	81,37	60	22	30	0,81	QPF10B1-016F22
	88	81,37	60	24	30	0,80	QPF10B1-016F24
	88	81,37	60	25	30	0,79	QPF10B1-016F25
	88	81,37	60	28	30	0,76	QPF10B1-016F28
	88	81,37	60	30	30	0,74	QPF10B1-016F30
	88	81,37	60	32	30	0,71	QPF10B1-016F32
	88	81,37	60	35	30	0,68	QPF10B1-016F35
17	88	81,37	60	38	30	0,64	QPF10B1-016F38
	93	86,39	60	19	30	0,89	QPF10B1-017F19
	93	86,39	60	20	30	0,88	QPF10B1-017F20
	93	86,39	60	22	30	0,87	QPF10B1-017F22
	93	86,39	60	24	30	0,85	QPF10B1-017F24
	93	86,39	60	25	30	0,84	QPF10B1-017F25
	93	86,39	60	28	30	0,81	QPF10B1-017F28
	93	86,39	60	30	30	0,79	QPF10B1-017F30
	93	86,39	60	32	30	0,76	QPF10B1-017F32
18	93	86,39	60	35	30	0,73	QPF10B1-017F35
	93	86,39	60	38	30	0,69	QPF10B1-017F38
	98,3	91,42	70	19	30	1,11	QPF10B1-018F19
	98,3	91,42	70	20	30	1,11	QPF10B1-018F20
	98,3	91,42	70	22	30	1,09	QPF10B1-018F22
	98,3	91,42	70	24	30	1,07	QPF10B1-018F24
	98,3	91,42	70	28	30	1,04	QPF10B1-018F28
	98,3	91,42	70	30	30	1,01	QPF10B1-018F30
	98,3	91,42	70	32	30	0,99	QPF10B1-018F32
	98,3	91,42	70	35	30	0,95	QPF10B1-018F35
98,3	91,42	70	38	30	0,91	QPF10B1-018F38	
98,3	91,42	70	40	30	0,88	QPF10B1-018F40	
98,3	91,42	70	42	30	0,85	QPF10B1-018F42	

Materiale: C45

De	Diametro esterno	mm
Dp	Diametro primitivo	mm
Dm	Diametro mozzo	mm
W	Peso	kg



Z	D _e [mm]	D _p [mm]	D _m [mm]	d ₁ [mm]	A [mm]	W [kg]	Codice
19	103,3	96,45	70	19	30	1,17	QPF10B1-019F19
	103,3	96,45	70	20	30	1,16	QPF10B1-019F20
	103,3	96,45	70	22	30	1,15	QPF10B1-019F22
	103,3	96,45	70	24	30	1,13	QPF10B1-019F24
	103,3	96,45	70	25	30	1,12	QPF10B1-019F25
	103,3	96,45	70	28	30	1,09	QPF10B1-019F28
	103,3	96,45	70	30	30	1,07	QPF10B1-019F30
	103,3	96,45	70	32	30	1,05	QPF10B1-019F32
	103,3	96,45	70	35	30	1,01	QPF10B1-019F35
	103,3	96,45	70	38	30	0,97	QPF10B1-019F38
20	108,4	101,49	75	19	30	1,33	QPF10B1-020F19
	108,4	101,49	75	20	30	1,32	QPF10B1-020F20
	108,4	101,49	75	22	30	1,30	QPF10B1-020F22
	108,4	101,49	75	24	30	1,29	QPF10B1-020F24
	108,4	101,49	75	25	30	1,28	QPF10B1-020F25
	108,4	101,49	75	28	30	1,25	QPF10B1-020F28
	108,4	101,49	75	30	30	1,23	QPF10B1-020F30
	108,4	101,49	75	32	30	1,20	QPF10B1-020F32
	108,4	101,49	75	35	30	1,16	QPF10B1-020F35
	108,4	101,49	75	38	30	1,12	QPF10B1-020F38
21	113,4	106,52	75	19	30	1,39	QPF10B1-021F19
	113,4	106,52	75	20	30	1,38	QPF10B1-021F20
	113,4	106,52	75	22	30	1,37	QPF10B1-021F22
	113,4	106,52	75	24	30	1,35	QPF10B1-021F24
	113,4	106,52	75	25	30	1,34	QPF10B1-021F25
	113,4	106,52	75	28	30	1,31	QPF10B1-021F28
	113,4	106,52	75	30	30	1,29	QPF10B1-021F30
	113,4	106,52	75	32	30	1,26	QPF10B1-021F32
	113,4	106,52	75	35	30	1,23	QPF10B1-021F35
	113,4	106,52	75	38	30	1,19	QPF10B1-021F38
22	118	111,55	80	19	30	1,55	QPF10B1-022F19
	118	111,55	80	20	30	1,54	QPF10B1-022F20
	118	111,55	80	22	30	1,53	QPF10B1-022F22
	118	111,55	80	24	30	1,51	QPF10B1-022F24
	118	111,55	80	25	30	1,50	QPF10B1-022F25
	118	111,55	80	28	30	1,47	QPF10B1-022F28
	118	111,55	80	30	30	1,45	QPF10B1-022F30
	118	111,55	80	32	30	1,43	QPF10B1-022F32
	118	111,55	80	35	30	1,39	QPF10B1-022F35
	118	111,55	80	38	30	1,35	QPF10B1-022F38

Z	D _e [mm]	D _p [mm]	D _m [mm]	d ₁ [mm]	A [mm]	W [kg]	Codice
23	123,5	116,58	80	19	30	1,62	QPF10B1-023F19
	123,5	116,58	80	20	30	1,62	QPF10B1-023F20
	123,5	116,58	80	22	30	1,60	QPF10B1-023F22
	123,5	116,58	80	24	30	1,58	QPF10B1-023F24
	123,5	116,58	80	25	30	1,57	QPF10B1-023F25
	123,5	116,58	80	28	30	1,55	QPF10B1-023F28
	123,5	116,58	80	30	30	1,52	QPF10B1-023F30
	123,5	116,58	80	32	30	1,50	QPF10B1-023F32
	123,5	116,58	80	35	30	1,46	QPF10B1-023F35
	123,5	116,58	80	38	30	1,42	QPF10B1-023F38
24	128,3	121,62	80	19	30	1,69	QPF10B1-024F19
	128,3	121,62	80	20	30	1,68	QPF10B1-024F20
	128,3	121,62	80	22	30	1,67	QPF10B1-024F22
	128,3	121,62	80	24	30	1,65	QPF10B1-024F24
	128,3	121,62	80	25	30	1,64	QPF10B1-024F25
	128,3	121,62	80	28	30	1,61	QPF10B1-024F28
	128,3	121,62	80	30	30	1,59	QPF10B1-024F30
	128,3	121,62	80	32	30	1,57	QPF10B1-024F32
	128,3	121,62	80	35	30	1,53	QPF10B1-024F35
	128,3	121,62	80	38	30	1,49	QPF10B1-024F38
25	134	126,66	80	19	30	1,78	QPF10B1-025F19
	134	126,66	80	20	30	1,77	QPF10B1-025F20
	134	126,66	80	22	30	1,75	QPF10B1-025F22
	134	126,66	80	24	30	1,74	QPF10B1-025F24
	134	126,66	80	25	30	1,73	QPF10B1-025F25
	134	126,66	80	28	30	1,70	QPF10B1-025F28
	134	126,66	80	30	30	1,68	QPF10B1-025F30
	134	126,66	80	32	30	1,65	QPF10B1-025F32
	134	126,66	80	35	30	1,62	QPF10B1-025F35
	134	126,66	80	38	30	1,57	QPF10B1-025F38

Pignone foro finito

Materiale: C45

D_e Diametro esterno mm
 D_p Diametro primitivo mm
 D_m Diametro mozzo mm
 W Peso kg

Pignone semplice temprato con foro finito

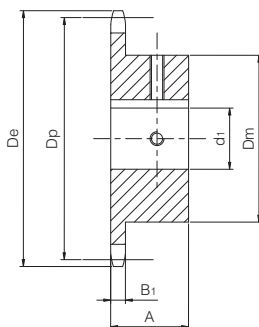
DIN 8187 - ISO/R 606

ISO 12B-1

Passo 3/4" x 7/16"



PIGNONE		[mm]
Raggio dente r_3	19	
Larghezza raggio C	2	
Larghezza dente B_1	11,1	
CATENA		[mm]
Passo	19,05	
Larghezza interna	11,68	
Rullo ϕ	12,07	



Z	De [mm]	Dp [mm]	Dm [mm]	d1 [mm]	A [mm]	W [kg]	Codice
10	69	61,64	42	19	30	0,47	QPF12B1-010F19
	69	61,64	42	20	30	0,46	QPF12B1-010F20
	69	61,64	42	24	30	0,43	QPF12B1-010F24
	69	61,64	42	25	30	0,42	QPF12B1-010F25
11	75	67,61	48	19	35	0,65	QPF12B1-011F19
	75	67,61	48	20	35	0,64	QPF12B1-011F20
	75	67,61	48	24	35	0,60	QPF12B1-011F24
	75	67,61	48	25	35	0,59	QPF12B1-011F25
12	81,5	73,6	52	19	35	0,78	QPF12B1-012F19
	81,5	73,6	52	20	35	0,77	QPF12B1-012F20
	81,5	73,6	52	24	35	0,73	QPF12B1-012F24
	81,5	73,6	52	25	35	0,72	QPF12B1-012F25
	81,5	73,6	52	28	35	0,69	QPF12B1-012F28
	81,5	73,6	52	30	35	0,66	QPF12B1-012F30
	81,5	73,6	53	32	35	0,65	QPF12B1-012F32
13	87,5	79,59	58	19	35	0,95	QPF12B1-013F19
	87,5	79,59	58	20	35	0,94	QPF12B1-013F20
	87,5	79,59	58	24	35	0,90	QPF12B1-013F24
	87,5	79,59	58	25	35	0,89	QPF12B1-013F25
	87,5	79,59	58	28	35	0,86	QPF12B1-013F28
	87,5	79,59	58	30	35	0,83	QPF12B1-013F30
	87,5	79,59	58	32	35	0,80	QPF12B1-013F32
	87,5	79,59	58	35	35	0,76	QPF12B1-013F35
	87,5	79,59	58	38	35	0,71	QPF12B1-013F38
14	93,6	85,61	64	19	35	1,13	QPF12B1-014F19
	93,6	85,61	64	20	35	1,12	QPF12B1-014F20
	93,6	85,61	64	24	35	1,09	QPF12B1-014F24
	93,6	85,61	64	25	35	1,08	QPF12B1-014F25
	93,6	85,61	64	28	35	1,04	QPF12B1-014F28
	93,6	85,61	64	30	35	1,02	QPF12B1-014F30
	93,6	85,61	64	32	35	0,99	QPF12B1-014F32
	93,6	85,61	64	35	35	0,94	QPF12B1-014F35
	93,6	85,61	64	38	35	0,90	QPF12B1-014F38
	93,6	85,61	67	40	35	0,92	QPF12B1-014F40

Z	De [mm]	Dp [mm]	Dm [mm]	d1 [mm]	A [mm]	W [kg]	Codice
15	99,8	91,63	70	24	35	1,29	QPF12B1-015F24
	99,8	91,63	70	25	35	1,28	QPF12B1-015F25
	99,8	91,63	70	28	35	1,24	QPF12B1-015F28
	99,8	91,63	70	30	35	1,22	QPF12B1-015F30
	99,8	91,63	70	32	35	1,19	QPF12B1-015F32
	99,8	91,63	70	35	35	1,15	QPF12B1-015F35
	99,8	91,63	70	38	35	1,10	QPF12B1-015F38
	99,8	91,63	70	40	35	1,07	QPF12B1-015F40
16	105,5	97,65	75	19	35	1,52	QPF12B1-016F19
	105,5	97,65	75	20	35	1,51	QPF12B1-016F20
	105,5	97,65	75	24	35	1,48	QPF12B1-016F24
	105,5	97,65	75	25	35	1,46	QPF12B1-016F25
	105,5	97,65	75	28	35	1,43	QPF12B1-016F28
	105,5	97,65	75	30	35	1,41	QPF12B1-016F30
	105,5	97,65	75	32	35	1,38	QPF12B1-016F32
	105,5	97,65	75	35	35	1,33	QPF12B1-016F35
	105,5	97,65	75	38	35	1,29	QPF12B1-016F38
	105,5	97,65	75	40	35	1,25	QPF12B1-016F40
17	111,5	103,67	80	25	35	1,67	QPF12B1-017F25
	111,5	103,67	80	28	35	1,64	QPF12B1-017F28
	111,5	103,67	80	30	35	1,61	QPF12B1-017F30
	111,5	103,67	80	32	35	1,58	QPF12B1-017F32
	111,5	103,67	80	35	35	1,54	QPF12B1-017F35
	111,5	103,67	80	38	35	1,49	QPF12B1-017F38
	111,5	103,67	80	40	35	1,46	QPF12B1-017F40
	111,5	103,67	80	42	35	1,42	QPF12B1-017F42
18	118	109,71	80	25	35	1,77	QPF12B1-018F25
	118	109,71	80	28	35	1,74	QPF12B1-018F28
	118	109,71	80	30	35	1,71	QPF12B1-018F30
	118	109,71	80	32	35	1,69	QPF12B1-018F32
	118	109,71	80	35	35	1,64	QPF12B1-018F35
	118	109,71	80	38	35	1,59	QPF12B1-018F38
	118	109,71	80	40	35	1,56	QPF12B1-018F40
	118	109,71	80	42	35	1,52	QPF12B1-018F42

Materiale: C45

De Diametro esterno mm
 Dp Diametro primitivo mm
 Dm Diametro mozzo mm
 W Peso kg



Z	D _e [mm]	D _p [mm]	D _m [mm]	d ₁ [mm]	A [mm]	W [kg]	Codice
19	124,2	115,75	80	25	35	1,88	QPF12B1-019F25
	124,2	115,75	80	28	35	1,84	QPF12B1-019F28
	124,2	115,75	80	30	35	1,82	QPF12B1-019F30
	124,2	115,75	80	32	35	1,79	QPF12B1-019F32
	124,2	115,75	80	35	35	1,75	QPF12B1-019F35
	124,2	115,75	80	38	35	1,70	QPF12B1-019F38
	124,2	115,75	80	40	35	1,66	QPF12B1-019F40
	124,2	115,75	80	42	35	1,63	QPF12B1-019F42
	124,2	115,75	80	45	35	1,57	QPF12B1-019F45
	124,2	115,75	80	48	35	1,51	QPF12B1-019F48
124,2	115,75	80	50	35	1,47	QPF12B1-019F50	
20	129,7	121,78	80	25	35	1,97	QPF12B1-020F25
	129,7	121,78	80	28	35	1,94	QPF12B1-020F28
	129,7	121,78	80	30	35	1,91	QPF12B1-020F30
	129,7	121,78	80	32	35	1,89	QPF12B1-020F32
	129,7	121,78	80	35	35	1,84	QPF12B1-020F35
	129,7	121,78	80	38	35	1,79	QPF12B1-020F38
	129,7	121,78	80	40	35	1,76	QPF12B1-020F40
	129,7	121,78	80	42	35	1,72	QPF12B1-020F42
	129,7	121,78	80	45	35	1,67	QPF12B1-020F45
	129,7	121,78	80	48	35	1,61	QPF12B1-020F48
129,7	121,78	80	50	35	1,56	QPF12B1-020F50	
21	136	127,82	90	25	35	2,34	QPF12B1-021F25
	136	127,82	90	28	35	2,30	QPF12B1-021F28
	136	127,82	90	30	35	2,28	QPF12B1-021F30
	136	127,82	90	32	35	2,25	QPF12B1-021F32
	136	127,82	90	35	35	2,21	QPF12B1-021F35
	136	127,82	90	38	35	2,16	QPF12B1-021F38
	136	127,82	90	40	35	2,13	QPF12B1-021F40
	136	127,82	90	42	35	2,09	QPF12B1-021F42
	136	127,82	90	45	35	2,04	QPF12B1-021F45
	136	127,82	90	48	35	1,97	QPF12B1-021F48
136	127,82	90	50	35	1,93	QPF12B1-021F50	
22	141	133,86	90	25	40	2,67	QPF12B1-022F25
	141	133,86	90	28	40	2,63	QPF12B1-022F28
	141	133,86	90	30	40	2,60	QPF12B1-022F30
	141	133,86	90	32	40	2,57	QPF12B1-022F32
	141	133,86	90	35	40	2,52	QPF12B1-022F35
	141	133,86	90	38	40	2,46	QPF12B1-022F38
	141	133,86	90	40	40	2,42	QPF12B1-022F40
	141	133,86	90	42	40	2,38	QPF12B1-022F42
	141	133,86	90	45	40	2,32	QPF12B1-022F45
	141	133,86	90	48	40	2,25	QPF12B1-022F48
141	133,86	90	50	40	2,20	QPF12B1-022F50	

Z	D _e [mm]	D _p [mm]	D _m [mm]	d ₁ [mm]	A [mm]	W [kg]	Codice
23	149	139,9	90	25	40	2,83	QPF12B1-023F25
	149	139,9	90	28	40	2,79	QPF12B1-023F28
	149	139,9	90	30	40	2,76	QPF12B1-023F30
	149	139,9	90	32	40	2,73	QPF12B1-023F32
	149	139,9	90	35	40	2,68	QPF12B1-023F35
	149	139,9	90	38	40	2,62	QPF12B1-023F38
	149	139,9	90	40	40	2,58	QPF12B1-023F40
	149	139,9	90	42	40	2,54	QPF12B1-023F42
	149	139,9	90	45	40	2,48	QPF12B1-023F45
	149	139,9	90	48	40	2,41	QPF12B1-023F48
149	139,9	90	50	40	2,36	QPF12B1-023F50	
24	153,9	145,94	90	25	40	2,93	QPF12B1-024F25
	153,9	145,94	90	28	40	2,89	QPF12B1-024F28
	153,9	145,94	90	30	40	2,86	QPF12B1-024F30
	153,9	145,94	90	32	40	2,83	QPF12B1-024F32
	153,9	145,94	90	35	40	2,78	QPF12B1-024F35
	153,9	145,94	90	38	40	2,73	QPF12B1-024F38
	153,9	145,94	90	40	40	2,69	QPF12B1-024F40
	153,9	145,94	90	42	40	2,65	QPF12B1-024F42
	153,9	145,94	90	45	40	2,58	QPF12B1-024F45
	153,9	145,94	90	48	40	2,51	QPF12B1-024F48
153,9	145,94	90	50	40	2,46	QPF12B1-024F50	
25	160	152	90	25	40	3,06	QPF12B1-025F25
	160	152	90	28	40	3,02	QPF12B1-025F28
	160	152	90	30	40	2,99	QPF12B1-025F30
	160	152	90	32	40	2,96	QPF12B1-025F32
	160	152	90	35	40	2,91	QPF12B1-025F35
	160	152	90	38	40	2,86	QPF12B1-025F38
	160	152	90	40	40	2,82	QPF12B1-025F40
	160	152	90	42	40	2,78	QPF12B1-025F42
	160	152	90	45	40	2,71	QPF12B1-025F45
	160	152	90	48	40	2,64	QPF12B1-025F48
160	152	90	50	40	2,60	QPF12B1-025F50	

Pignone foro finito

Materiale: C45

D _e	Diametro esterno	mm
D _p	Diametro primitivo	mm
D _m	Diametro mozzo	mm
W	Peso	kg

Pignone semplice temprato con foro finito

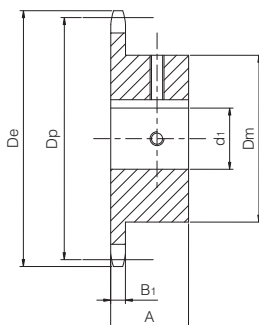
DIN 8187 - ISO/R 606

ISO 16B-1

Passo 1" x 17,02 mm



PIGNONE		[mm]
Raggio dente r_3	26	
Larghezza raggio C	2,5	
Larghezza dente B_1	16,2	
CATENA		[mm]
Passo	25,4	
Larghezza interna	17,02	
Rullo ϕ	15,88	



Z	D_e [mm]	D_p [mm]	D_m [mm]	d_1 [mm]	A [mm]	W [kg]	Codice
11	99,5	90,14	61	25	40	1,43	QPF16B1-011F25
	99,5	90,14	61	28	40	1,39	QPF16B1-011F28
	99,5	90,14	61	30	40	1,36	QPF16B1-011F30
	99,5	90,14	61	32	40	1,33	QPF16B1-011F32
	99,5	90,14	61	35	40	1,28	QPF16B1-011F35
	99,5	90,14	65	38	40	1,30	QPF16B1-011F38
	99,5	90,14	67	40	40	1,30	QPF16B1-011F40
	99,5	90,14	69	42	40	1,30	QPF16B1-011F42
12	109	98,14	69	25	40	1,74	QPF16B1-012F25
	109	98,14	69	28	40	1,70	QPF16B1-012F28
	109	98,14	69	30	40	1,67	QPF16B1-012F30
	109	98,14	69	32	40	1,64	QPF16B1-012F32
	109	98,14	69	35	40	1,59	QPF16B1-012F35
	109	98,14	69	38	40	1,54	QPF16B1-012F38
	109	98,14	69	40	40	1,50	QPF16B1-012F40
	109	98,14	69	42	40	1,46	QPF16B1-012F42
13	117	106,12	78	25	40	2,12	QPF16B1-013F25
	117	106,12	78	28	40	2,08	QPF16B1-013F28
	117	106,12	78	30	40	2,05	QPF16B1-013F30
	117	106,12	78	32	40	2,02	QPF16B1-013F32
	117	106,12	78	35	40	1,97	QPF16B1-013F35
	117	106,12	78	38	40	1,92	QPF16B1-013F38
	117	106,12	78	40	40	1,88	QPF16B1-013F40
	117	106,12	78	42	40	1,84	QPF16B1-013F42
	117	106,12	78	45	40	1,77	QPF16B1-013F45
	117	106,12	78	48	40	1,70	QPF16B1-013F48
14	125	114,15	84	25	40	2,46	QPF16B1-014F25
	125	114,15	84	28	40	2,42	QPF16B1-014F28
	125	114,15	84	30	40	2,39	QPF16B1-014F30
	125	114,15	84	32	40	2,36	QPF16B1-014F32
	125	114,15	84	35	40	2,31	QPF16B1-014F35
	125	114,15	84	38	40	2,25	QPF16B1-014F38
	125	114,15	84	40	40	2,22	QPF16B1-014F40
	125	114,15	84	42	40	2,17	QPF16B1-014F42
	125	114,15	84	45	40	2,11	QPF16B1-014F45
	125	114,15	84	48	40	2,04	QPF16B1-014F48
	125	114,15	84	50	40	1,99	QPF16B1-014F50

Z	D_e [mm]	D_p [mm]	D_m [mm]	d_1 [mm]	A [mm]	W [kg]	Codice	
15	133	122,17	92	25	40	2,87	QPF16B1-015F25	
	133	122,17	92	28	40	2,83	QPF16B1-015F28	
	133	122,17	92	30	40	2,80	QPF16B1-015F30	
	133	122,17	92	32	40	2,77	QPF16B1-015F32	
	133	122,17	92	35	40	2,72	QPF16B1-015F35	
	133	122,17	92	38	40	2,67	QPF16B1-015F38	
	133	122,17	92	40	40	2,63	QPF16B1-015F40	
	133	122,17	92	42	40	2,59	QPF16B1-015F42	
	133	122,17	92	45	40	2,53	QPF16B1-015F45	
	133	122,17	92	48	40	2,46	QPF16B1-015F48	
	133	122,17	92	50	40	2,41	QPF16B1-015F50	
	16	141	130,2	100	25	45	3,61	QPF16B1-016F25
		141	130,2	100	28	45	3,57	QPF16B1-016F28
141		130,2	100	30	45	3,53	QPF16B1-016F30	
141		130,2	100	32	45	3,50	QPF16B1-016F32	
141		130,2	100	35	45	3,44	QPF16B1-016F35	
141		130,2	100	38	45	3,38	QPF16B1-016F38	
141		130,2	100	40	45	3,34	QPF16B1-016F40	
141		130,2	100	42	45	3,29	QPF16B1-016F42	
141		130,2	100	45	45	3,22	QPF16B1-016F45	
141		130,2	100	48	45	3,14	QPF16B1-016F48	
17	149	138,22	100	25	45	3,84	QPF16B1-017F25	
	149	138,22	100	28	45	3,80	QPF16B1-017F28	
	149	138,22	100	30	45	3,77	QPF16B1-017F30	
	149	138,22	100	32	45	3,73	QPF16B1-017F32	
	149	138,22	100	35	45	3,68	QPF16B1-017F35	
	149	138,22	100	38	45	3,62	QPF16B1-017F38	
	149	138,22	100	40	45	3,57	QPF16B1-017F40	
	149	138,22	100	42	45	3,53	QPF16B1-017F42	
	149	138,22	100	45	45	3,45	QPF16B1-017F45	
	149	138,22	100	48	45	3,38	QPF16B1-017F48	
	149	138,22	100	50	45	3,32	QPF16B1-017F50	

Materiale: C45

D_e Diametro esterno mm
 D_p Diametro primitivo mm
 D_m Diametro mozzo mm
W Peso kg



Z	D _e [mm]	D _p [mm]	D _m [mm]	d ₁ [mm]	A [mm]	W [kg]	Codice
18	157	146,28	100	25	45	4,09	QPF16B1-018F25
	157	146,28	100	28	45	4,05	QPF16B1-018F28
	157	146,28	100	30	45	4,01	QPF16B1-018F30
	157	146,28	100	32	45	3,98	QPF16B1-018F32
	157	146,28	100	35	45	3,92	QPF16B1-018F35
	157	146,28	100	38	45	3,86	QPF16B1-018F38
	157	146,28	100	40	45	3,82	QPF16B1-018F40
	157	146,28	100	42	45	3,77	QPF16B1-018F42
	157	146,28	100	45	45	3,70	QPF16B1-018F45
	157	146,28	100	48	45	3,62	QPF16B1-018F48
157	146,28	100	50	45	3,57	QPF16B1-018F50	
19	165,2	154,33	100	25	45	4,36	QPF16B1-019F25
	165,2	154,33	100	28	45	4,31	QPF16B1-019F28
	165,2	154,33	100	30	45	4,28	QPF16B1-019F30
	165,2	154,33	100	32	45	4,24	QPF16B1-019F32
	165,2	154,33	100	35	45	4,19	QPF16B1-019F35
	165,2	154,33	100	38	45	4,13	QPF16B1-019F38
	165,2	154,33	100	40	45	4,08	QPF16B1-019F40
	165,2	154,33	100	42	45	4,04	QPF16B1-019F42
	165,2	154,33	100	45	45	3,96	QPF16B1-019F45
	165,2	154,33	100	48	45	3,89	QPF16B1-019F48
	165,2	154,33	100	50	45	3,83	QPF16B1-019F50
	20	173,2	162,38	100	25	45	4,63
173,2		162,38	100	28	45	4,58	QPF16B1-020F28
173,2		162,38	100	30	45	4,55	QPF16B1-020F30
173,2		162,38	100	32	45	4,52	QPF16B1-020F32
173,2		162,38	100	35	45	4,46	QPF16B1-020F35
173,2		162,38	100	38	45	4,40	QPF16B1-020F38
173,2		162,38	100	40	45	4,36	QPF16B1-020F40
173,2		162,38	100	42	45	4,31	QPF16B1-020F42
173,2		162,38	100	45	45	4,24	QPF16B1-020F45
173,2		162,38	100	48	45	4,16	QPF16B1-020F48
173,2		162,38	100	50	45	4,10	QPF16B1-020F50
21		181,2	170,43	110	25	45	5,29
	181,2	170,43	110	28	45	5,24	QPF16B1-021F28
	181,2	170,43	110	30	45	5,21	QPF16B1-021F30
	181,2	170,43	110	32	45	5,18	QPF16B1-021F32
	181,2	170,43	110	35	45	5,12	QPF16B1-021F35
	181,2	170,43	110	38	45	5,06	QPF16B1-021F38
	181,2	170,43	110	40	45	5,02	QPF16B1-021F40
	181,2	170,43	110	42	45	4,97	QPF16B1-021F42
	181,2	170,43	110	45	45	4,90	QPF16B1-021F45
	181,2	170,43	110	48	45	4,82	QPF16B1-021F48
22	189,3	178,48	110	25	45	5,59	QPF16B1-022F25
	189,3	178,48	110	28	45	5,55	QPF16B1-022F28
	189,3	178,48	110	30	45	5,51	QPF16B1-022F30
	189,3	178,48	110	32	45	5,48	QPF16B1-022F32
	189,3	178,48	110	35	45	5,42	QPF16B1-022F35
	189,3	178,48	110	38	50	5,69	QPF16B1-022F38
	189,3	178,48	110	40	50	5,64	QPF16B1-022F40
	189,3	178,48	110	42	50	5,59	QPF16B1-022F42
	189,3	178,48	110	45	50	5,51	QPF16B1-022F45
	189,3	178,48	110	48	50	5,42	QPF16B1-022F48
189,3	178,48	110	50	50	5,36	QPF16B1-022F50	

Materiale: C45

Z	D _e [mm]	D _p [mm]	D _m [mm]	d ₁ [mm]	A [mm]	W [kg]	Codice
23	197,5	186,53	110	25	50	6,26	QPF16B1-023F25
	197,5	186,53	110	28	50	6,22	QPF16B1-023F28
	197,5	186,53	110	30	50	6,18	QPF16B1-023F30
	197,5	186,53	110	32	50	6,14	QPF16B1-023F32
	197,5	186,53	110	35	50	6,08	QPF16B1-023F35
	197,5	186,53	110	38	50	6,01	QPF16B1-023F38
	197,5	186,53	110	40	50	5,96	QPF16B1-023F40
	197,5	186,53	110	42	50	5,91	QPF16B1-023F42
	197,5	186,53	110	45	50	5,83	QPF16B1-023F45
	197,5	186,53	110	48	50	5,74	QPF16B1-023F48
197,5	186,53	110	50	50	5,68	QPF16B1-023F50	
24	205,5	194,59	110	25	50	6,59	QPF16B1-024F25
	205,5	194,59	110	28	50	6,54	QPF16B1-024F28
	205,5	194,59	110	30	50	6,50	QPF16B1-024F30
	205,5	194,59	110	32	50	6,46	QPF16B1-024F32
	205,5	194,59	110	35	50	6,40	QPF16B1-024F35
	205,5	194,59	110	38	50	6,33	QPF16B1-024F38
	205,5	194,59	110	40	50	6,29	QPF16B1-024F40
	205,5	194,59	110	42	50	6,24	QPF16B1-024F42
	205,5	194,59	110	45	50	6,15	QPF16B1-024F45
	205,5	194,59	110	48	50	6,07	QPF16B1-024F48
	205,5	194,59	110	50	50	6,01	QPF16B1-024F50
	25	213,5	202,66	110	25	50	6,93
213,5		202,66	110	28	50	6,88	QPF16B1-025F28
213,5		202,66	110	30	50	6,84	QPF16B1-025F30
213,5		202,66	110	32	50	6,80	QPF16B1-025F32
213,5		202,66	110	35	50	6,74	QPF16B1-025F35
213,5		202,66	110	38	50	6,67	QPF16B1-025F38
213,5		202,66	110	40	50	6,62	QPF16B1-025F40
213,5		202,66	110	42	50	6,57	QPF16B1-025F42
213,5		202,66	110	45	50	6,49	QPF16B1-025F45
213,5		202,66	110	48	50	6,40	QPF16B1-025F48
213,5		202,66	110	50	50	6,34	QPF16B1-025F50

D _e	Diametro esterno	mm
D _p	Diametro primitivo	mm
D _m	Diametro mozzo	mm
W	Peso	kg

Pignone foro finito

Pignoni semplici e doppi temprati con foro pilota

The background of the lower half of the page is a teal color. It features several metallic gears of different sizes and orientations. One large gear is in the center, with a smaller gear partially visible behind it. To the right, another gear is shown in profile. In the bottom left corner, a stack of three gears is visible. A vertical white bar with a slight gradient runs through the center of the image, containing the text 'PIGNONI FORO PILOTA' in green.

PIGNONI FORO PILOTA

INDICE

PIGNONE SEMPLICI E DOPPI TEMPRATI CON FORO PILOTA	Pag.
Pignone semplice	
ISO 06B-1 Passo 3/8" x 7/32"	115
ISO 08B-1 Passo 1/2" x 5/16"	116
ISO 10B-1 Passo 5/8" x 3/8"	117
ISO 12B-1 Passo 3/4" x 7/16"	118
ISO 16B-1 Passo 1" x 17,02 mm	119
Pignone doppio	
ISO 06B-2 Passo 3/8" x 7/32"	120
ISO 08B-2 Passo 1/2" x 5/16"	121
ISO 10B-2 Passo 5/8" x 3/8"	122
ISO 12B-2 Passo 3/4" x 7/16"	123
ISO 16B-2 Passo 1" x 17,02 mm	124

PIGNONI SEMPLICI TEMPRATI AD INDUZIONE CON FORO PILOTA

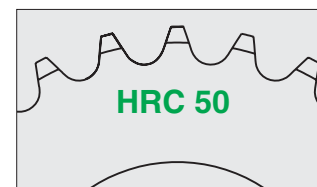
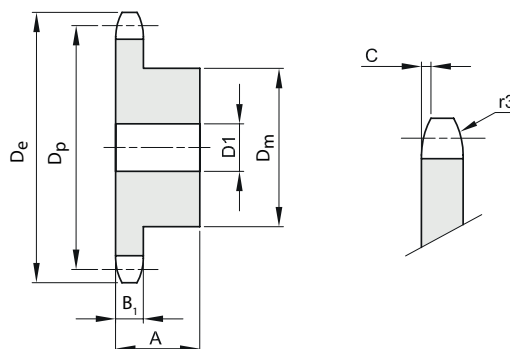
Pignone semplice temprato ad induzione con foro pilota

ISO 06B-1

Passo 3/8" x 7/32"



PIGNONE	[mm]
Raggio dente r_3	10
Larghezza raggio C	1
Larghezza dente B_1	5,3
CATENA	[mm]
Passo	9,525
Larghezza interna	5,71
Rullo ϕ	6,35



Z	D _e [mm]	D _p [mm]	D _m [mm]	D1 [mm]	A [mm]	W [kg]	Codice
13	43,5	39,80	28	8	25	0,13	QPH06B1-013
14	46,5	42,80	31	8	25	0,16	QPH06B1-014
15	49,5	45,81	34	8	25	0,19	QPH06B1-015
16	52,5	48,82	37	10	28	0,24	QPH06B1-016
17	55,5	51,83	40	10	28	0,28	QPH06B1-017
18	58,6	54,85	43	10	28	0,33	QPH06B1-018
19	61,6	57,87	45	10	28	0,36	QPH06B1-019
20	64,6	60,89	46	10	28	0,39	QPH06B1-020
21	67,6	63,91	48	12	28	0,42	QPH06B1-021
22	70,6	66,93	50	12	28	0,46	QPH06B1-022
23	73,7	69,95	52	12	28	0,50	QPH06B1-023
24	76,7	72,97	54	12	28	0,54	QPH06B1-024
25	79,7	76,00	57	12	28	0,60	QPH06B1-025
30	94,8	91,12	60	12	30	0,72	QPH06B1-030

Pignone foro pilota

Materiale: Acciaio C45

D _e	Diametro esterno	mm
D _p	Diametro primitivo	mm
D _m	Diametro mozzo	mm
W	Peso	kg

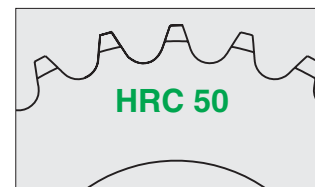
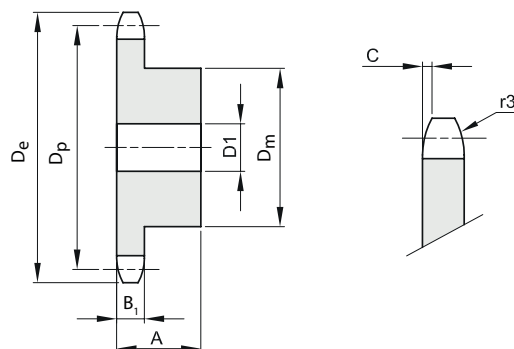
Pignone semplice temprato ad induzione con foro pilota



ISO 08B-1

Passo 1/2" x 5/16"

PIGNONE		[mm]
Raggio dente r_3	13	
Larghezza raggio C	1,3	
Larghezza dente B_1	7,2	
CATENA		[mm]
Passo	12,7	
Larghezza interna	7,75	
Rullo \varnothing	8,51	



Z	D_e [mm]	D_p [mm]	D_m [mm]	D1 [mm]	A [mm]	W [kg]	Codice
12	53,9	49,07	33	10	28	0,21	QPH08B1-012
13	57,9	53,06	37	10	28	0,26	QPH08B1-013
14	61,9	57,07	41	10	28	0,32	QPH08B1-014
15	65,9	61,09	45	10	28	0,38	QPH08B1-015
16	69,9	65,10	50	12	28	0,46	QPH08B1-016
17	74,0	69,11	52	12	28	0,51	QPH08B1-017
18	78,0	73,14	56	12	28	0,59	QPH08B1-018
19	82,0	77,16	60	12	28	0,67	QPH08B1-019
20	86,0	81,19	64	12	28	0,76	QPH08B1-020
21	90,1	85,22	68	14	28	0,85	QPH08B1-021
22	94,1	89,24	70	14	28	0,91	QPH08B1-022
23	98,1	93,27	70	14	28	0,95	QPH08B1-023
24	102,1	97,29	70	14	28	0,98	QPH08B1-024
25	106,2	101,33	70	14	28	1,01	QPH08B1-025
30	126,3	121,50	80	16	30	1,46	QPH08B1-030

Materiale: Acciaio C45

D_e	Diametro esterno	mm
D_p	Diametro primitivo	mm
D_m	Diametro mozzo	mm
W	Peso	kg

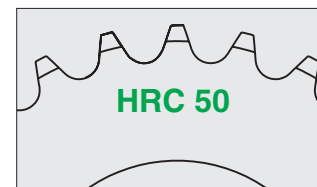
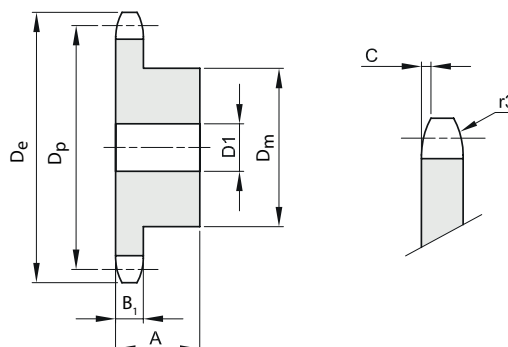
Pignone semplice temprato ad induzione con foro pilota



ISO 10B-1

Passo 5/8" x 3/8"

PIGNONE	[mm]
Raggio dente r_3	16
Larghezza raggio C	1,6
Larghezza dente B_1	9,1
CATENA	[mm]
Passo	15,875
Larghezza interna	9,65
Rullo \varnothing	10,16



Z	D_e [mm]	D_p [mm]	D_m [mm]	D1 [mm]	A [mm]	W [kg]	Codice
12	68,2	61,34	42	12	30	0,37	QPH10B1-012
13	73,2	66,32	47	12	30	0,46	QPH10B1-013
14	78,2	71,34	52	12	30	0,56	QPH10B1-014
15	83,2	76,36	57	12	30	0,67	QPH10B1-015
16	88,3	81,37	60	12	30	0,76	QPH10B1-016
17	93,3	86,39	60	12	30	0,88	QPH10B1-017
18	98,3	91,42	70	14	30	1,01	QPH10B1-018
19	103,3	96,45	70	14	30	1,15	QPH10B1-019
20	108,4	101,49	75	14	30	1,21	QPH10B1-020
21	113,4	106,52	75	16	30	1,35	QPH10B1-021
22	118,4	111,55	80	16	30	1,41	QPH10B1-022
23	123,5	116,58	80	16	30	1,47	QPH10B1-023
24	128,5	121,62	80	16	30	1,54	QPH10B1-024
25	133,6	126,66	80	16	30	1,60	QPH10B1-025
30	158,8	151,87	90	20	35	2,41	QPH10B1-030

Materiale: Acciaio C45

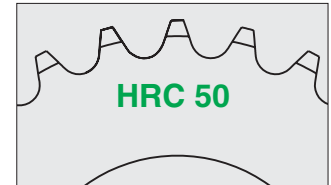
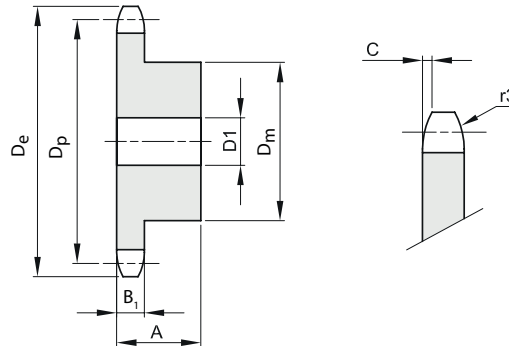
D_e	Diametro esterno	mm
D_p	Diametro primitivo	mm
D_m	Diametro mozzo	mm
W	Peso	kg

Pignone semplice temprato ad induzione con foro pilota



ISO 12B-1 Passo 3/4" x 7/16"

PIGNONE	[mm]
Raggio dente r_3	19
Larghezza raggio C	2
Larghezza dente B_1	11,1
CATENA	[mm]
Passo	19,50
Larghezza interna	11,68
Rullo \varnothing	12,07



Z	D_e [mm]	D_p [mm]	D_m [mm]	D1 [mm]	A [mm]	W [kg]	Codice
12	81,8	73,60	52	16	35	0,65	QPH12B1-012
13	87,8	79,59	58	16	35	0,80	QPH12B1-013
14	93,8	85,61	64	16	35	0,97	QPH12B1-014
15	99,8	91,63	70	16	35	1,16	QPH12B1-015
16	105,8	97,65	75	16	35	1,34	QPH12B1-016
17	111,9	103,67	80	16	35	1,53	QPH12B1-017
18	117,9	109,71	80	16	35	1,62	QPH12B1-018
19	123,9	115,75	80	16	35	1,70	QPH12B1-019
20	130,0	121,78	80	16	35	1,80	QPH12B1-020
21	136,0	127,82	90	20	40	2,35	QPH12B1-021
22	142,0	133,86	90	20	40	2,46	QPH12B1-022
23	148,1	139,90	90	20	40	2,56	QPH12B1-023
24	154,1	145,94	90	20	40	2,68	QPH12B1-024
25	160,2	152,00	90	20	40	2,80	QPH12B1-025
30	190,4	182,25	95	20	40	3,63	QPH12B1-030

Materiale: Acciaio C45

D_e	Diametro esterno	mm
D_p	Diametro primitivo	mm
D_m	Diametro mozzo	mm
W	Peso	kg

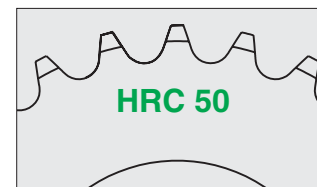
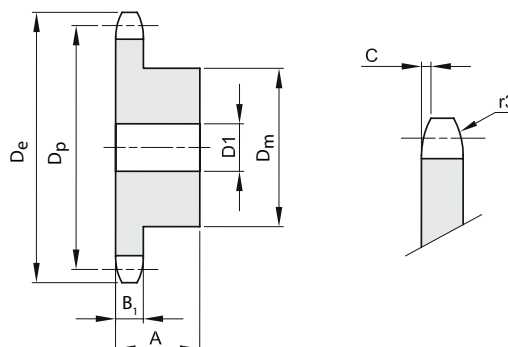
Pignone semplice temprato ad induzione con foro pilota



ISO 16B-1

Passo 1" x 17,02 mm

PIGNONE	[mm]
Raggio dente r_3	26
Larghezza raggio C	2,5
Larghezza dente B_1	16,2
CATENA	[mm]
Passo	25,4
Larghezza interna	17,02
Rullo \varnothing	15,88



Z	D_e [mm]	D_p [mm]	D_m [mm]	D1 [mm]	A [mm]	W [kg]	Codice
12	109,7	98,14	69	16	40	1,43	QPH16B1-012
13	117,7	106,12	78	16	40	1,77	QPH16B1-013
14	125,7	114,15	84	16	40	2,08	QPH16B1-014
15	133,7	122,17	92	16	40	2,46	QPH16B1-015
16	141,8	130,20	100	20	45	3,14	QPH16B1-016
17	149,8	138,22	100	20	45	3,33	QPH16B1-017
18	157,8	146,28	100	20	45	3,56	QPH16B1-018
19	165,9	154,33	100	20	45	3,78	QPH16B1-019
20	173,9	162,38	100	20	45	4,03	QPH16B1-020
21	182,0	170,43	110	20	50	5,01	QPH16B1-021
22	190,1	178,48	110	20	50	5,28	QPH16B1-022
23	198,1	186,53	110	20	50	5,56	QPH16B1-023
24	206,2	194,59	110	20	50	5,86	QPH16B1-024
25	214,2	202,66	110	20	50	6,16	QPH16B1-025
30	254,6	243,00	120	20	50	8,38	QPH16B1-030

Materiale: Acciaio C45

D_e	Diametro esterno	mm
D_p	Diametro primitivo	mm
D_m	Diametro mozzo	mm
W	Peso	kg

PIGNONI DOPPI TEMPRATI AD INDUZIONE CON FORO PILOTA

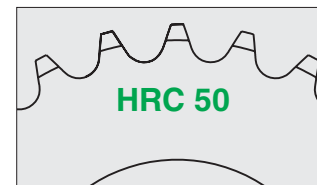
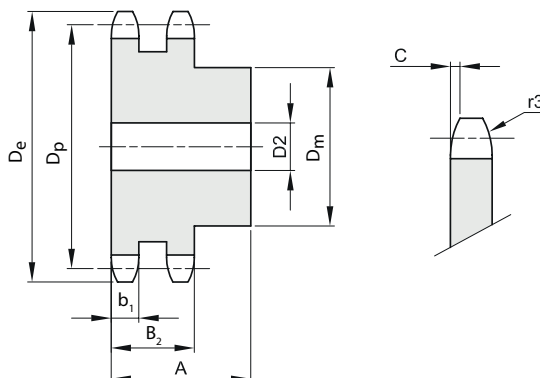
Pignone doppio temprato ad induzione con foro pilota



ISO 06B-2

Passo 3/8" x 7/32"

PIGNONE	[mm]
Raggio dente r_3	10
Larghezza raggio C	1
Larghezza dente b_1	5,2
Larghezza dente B_2	15,4
CATENA	[mm]
Passo	9,525
Larghezza interna	5,71
Rullo \varnothing	6,35



Z	D _e [mm]	D _p [mm]	D _m [mm]	D ₂ [mm]	A [mm]	W [kg]	Codice
13	43,5	39,80	28	10	30	0,16	QPHD06B2-013
14	46,5	42,80	31	10	30	0,20	QPHD06B2-014
15	49,5	45,81	34	10	30	0,24	QPHD06B2-015
16	52,5	48,82	37	12	30	0,27	QPHD06B2-016
17	55,5	51,83	40	12	30	0,32	QPHD06B2-017
18	58,6	54,85	43	12	30	0,38	QPHD06B2-018
19	61,6	57,87	46	12	30	0,42	QPHD06B2-019
20	64,6	60,89	49	12	30	0,48	QPHD06B2-020
21	67,6	63,91	52	16	30	0,52	QPHD06B2-021
22	70,6	66,93	55	16	30	0,58	QPHD06B2-022
23	73,7	69,95	58	16	30	0,64	QPHD06B2-023
24	76,7	72,97	61	16	30	0,71	QPHD06B2-024
25	79,7	76,00	64	16	30	0,79	QPHD06B2-025
30	94,8	91,12	79	16	30	1,20	QPHD06B2-030

Materiale: Acciaio C45

D _e	Diametro esterno	mm
D _p	Diametro primitivo	mm
D _m	Diametro mozzo	mm
W	Peso	kg

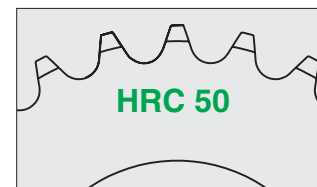
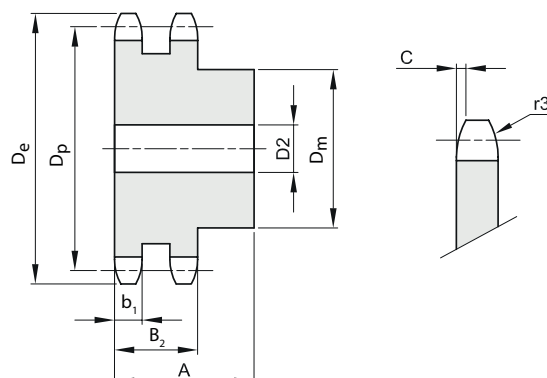
Pignone doppio temprato ad induzione con foro pilota

ISO 08B-2

Passo 1/2" x 5/16"



PIGNONE	[mm]
Raggio dente r_3	13
Larghezza raggio C	1,3
Larghezza dente b_1	7
Larghezza dente B_2	21
CATENA	[mm]
Passo	12,7
Larghezza interna	7,75
Rullo \varnothing	8,51



Z	D_e [mm]	D_p [mm]	D_m [mm]	D2 [mm]	A [mm]	W [kg]	Codice
12	53,9	49,07	35	12	35	0,30	QPHD08B2-012
13	57,9	53,06	38	12	35	0,36	QPHD08B2-013
14	61,9	57,07	42	12	35	0,44	QPHD08B2-014
15	65,9	61,09	46	12	35	0,52	QPHD08B2-015
16	69,9	65,10	50	16	38	0,63	QPHD08B2-016
17	74,0	69,11	54	16	38	0,73	QPHD08B2-017
18	78,0	73,14	58	16	38	0,85	QPHD08B2-018
19	82,0	77,16	62	16	38	0,97	QPHD08B2-019
20	86,0	81,19	66	16	38	1,10	QPHD08B2-020
21	90,1	85,22	70	16	40	1,29	QPHD08B2-021
22	94,1	89,24	70	16	40	1,37	QPHD08B2-022
23	98,1	93,27	70	16	40	1,46	QPHD08B2-023
24	102,1	97,29	75	16	40	1,64	QPHD08B2-024
25	106,2	101,33	80	16	40	1,82	QPHD08B2-025
30	126,3	121,50	100	16	40	2,79	QPHD08B2-030

Materiale: Acciaio C45

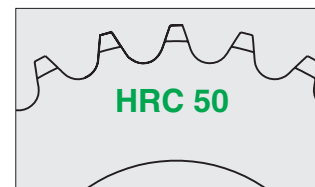
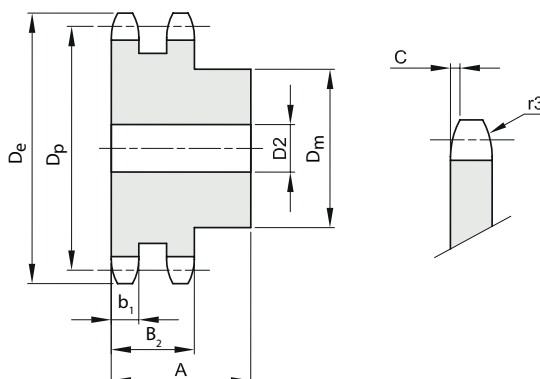
D_e	Diametro esterno	mm
D_p	Diametro primitivo	mm
D_m	Diametro mozzo	mm
W	Peso	kg

Pignone doppio temprato ad induzione con foro pilota

ISO 10B-2 Passo 5/8" x 3/8"



PIGNONE	[mm]
Raggio dente r_3	16
Larghezza raggio C	1,6
Larghezza dente b_1	9
Larghezza dente B_2	25,5
CATENA	[mm]
Passo	15,875
Larghezza interna	9,65
Rullo \varnothing	10,16



Z	D _e [mm]	D _p [mm]	D _m [mm]	D2 [mm]	A [mm]	W [kg]	Codice
12	68,2	61,34	44	16	40	0,55	QPHD10B2-012
13	73,2	66,32	49	16	40	0,68	QPHD10B2-013
14	78,2	71,34	54	16	40	0,82	QPHD10B2-014
15	83,2	76,36	59	16	40	0,97	QPHD10B2-015
16	88,3	81,37	64	16	45	1,26	QPHD10B2-016
17	93,3	86,39	69	16	45	1,46	QPHD10B2-017
18	98,3	91,42	74	16	45	1,67	QPHD10B2-018
19	103,3	96,45	79	16	45	1,90	QPHD10B2-019
20	108,4	101,49	84	16	45	2,14	QPHD10B2-020
21	113,4	106,52	85	16	45	2,27	QPHD10B2-021
22	118,4	111,55	90	16	45	2,54	QPHD10B2-022
23	123,5	116,58	95	16	45	2,82	QPHD10B2-023
24	128,5	121,62	100	16	45	3,11	QPHD10B2-024
25	133,6	126,66	105	16	45	3,15	QPHD10B2-025
30	158,8	151,87	120	20	45	4,87	QPHD10B2-030

Materiale: Acciaio C45

D _e	Diametro esterno	mm
D _p	Diametro primitivo	mm
D _m	Diametro mozzo	mm
W	Peso	kg

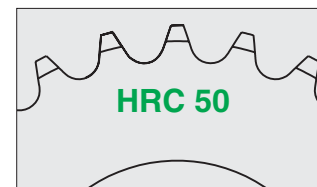
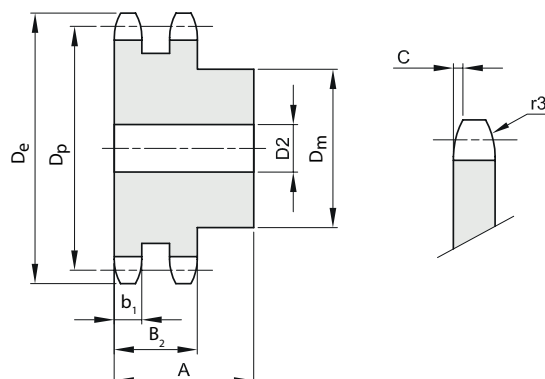
Pignone doppio temprato ad induzione con foro pilota



ISO 12B-2

Passo 3/4" x 7/16"

PIGNONE	[mm]
Raggio dente r_3	19
Larghezza raggio C	2
Larghezza dente b_1	10,8
Larghezza dente B_2	30,3
CATENA	[mm]
Passo	19,50
Larghezza interna	11,68
Rullo \varnothing	12,07



Z	D_e [mm]	D_p [mm]	D_m [mm]	D2 [mm]	A [mm]	W [kg]	Codice
12	81,8	73,60	53	16	50	1,02	QPHD12B2-012
13	87,8	79,59	59	16	50	1,25	QPHD12B2-013
14	93,8	85,61	65	16	50	1,46	QPHD12B2-014
15	99,8	91,63	71	16	50	1,74	QPHD12B2-015
16	105,8	97,65	77	20	50	2,03	QPHD12B2-016
17	111,9	103,67	83	20	50	2,36	QPHD12B2-017
18	117,9	109,71	89	20	50	2,70	QPHD12B2-018
19	123,9	115,75	95	20	50	3,07	QPHD12B2-019
20	130,0	121,78	100	20	50	3,43	QPHD12B2-020
21	136,0	127,82	100	20	50	3,69	QPHD12B2-021
22	142,0	133,86	100	20	50	3,97	QPHD12B2-022
23	148,1	139,90	110	20	50	4,51	QPHD12B2-023
24	154,1	145,94	110	20	50	4,81	QPHD12B2-024
25	160,2	152,00	120	20	50	5,41	QPHD12B2-025
30	190,4	182,25	120	20	50	7,19	QPHD12B2-030

Materiale: Acciaio C45

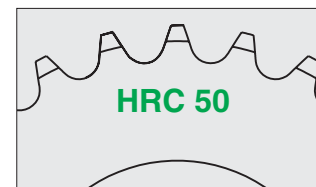
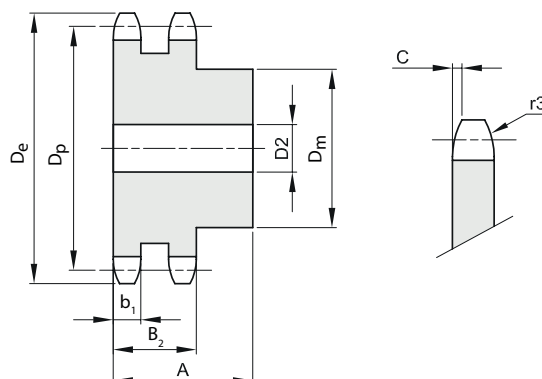
D_e	Diametro esterno	mm
D_p	Diametro primitivo	mm
D_m	Diametro mozzo	mm
W	Peso	kg

Pignone doppio temprato ad induzione con foro pilota

ISO 16B-2 Passo 1" x 17,02 mm



PIGNONE	[mm]
Raggio dente r_3	26
Larghezza raggio C	2,5
Larghezza dente b_1	15,8
Larghezza dente B_2	47,7
CATENA	[mm]
Passo	25,4
Larghezza interna	17,02
Rullo \varnothing	15,88



Z	D_e [mm]	D_p [mm]	D_m [mm]	D_2 [mm]	A [mm]	W [kg]	Codice
12	109,7	98,14	72	20	70	2,60	QPHD16B2-012
13	117,7	106,12	80	20	70	3,18	QPHD16B2-013
14	125,7	114,15	88	20	70	3,82	QPHD16B2-014
15	133,7	122,17	96	20	70	4,51	QPHD16B2-015
16	141,8	130,20	104	20	70	5,17	QPHD16B2-016
17	149,8	138,22	112	20	70	5,98	QPHD16B2-017
18	157,8	146,28	120	20	70	6,84	QPHD16B2-018
19	165,9	154,33	128	20	70	7,76	QPHD16B2-019
20	173,9	162,38	130	20	70	8,52	QPHD16B2-020
21	182,0	170,43	130	25	70	9,24	QPHD16B2-021
22	190,1	178,48	130	25	70	10,00	QPHD16B2-022
23	198,1	186,53	130	25	70	10,80	QPHD16B2-023
24	206,2	194,59	130	25	70	11,64	QPHD16B2-024
25	214,2	202,66	130	25	70	12,52	QPHD16B2-025
30	254,6	243,00	130	25	70	17,48	QPHD16B2-030

Materiale: Acciaio C45

D_e	Diametro esterno	mm
D_p	Diametro primitivo	mm
D_m	Diametro mozzo	mm
W	Peso	kg

Pignoni semplici in acciaio inox



PIGNONI ACCIAIO INOX



INDICE

PIGNONE SEMPLICI IN ACCIAIO INOX	Pag.
Pignone semplice	
ISO 06B-1 Passo 3/8" x 7/32"	127
ISO 08B-1 Passo 1/2" x 5/16"	128
ISO 10B-1 Passo 5/8" x 3/8"	129
ISO 12B-1 Passo 3/4" x 7/16"	130
ISO 16B-1 Passo 1" x 17,02 mm	131



PIGNONI SEMPLICI IN ACCIAIO INOX

Pignone semplice in acciaio inox

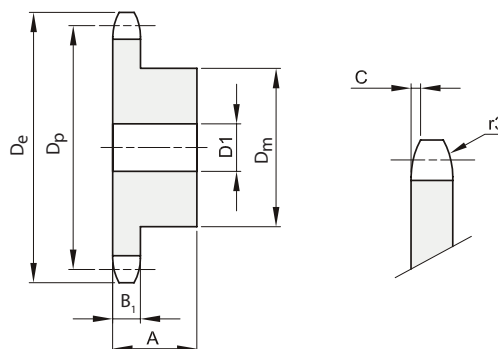
per catene a rulli secondo DIN 8187 - ISO/R 606

ISO 06B-1

Passo 3/8" x 7/32"



PIGNONE	[mm]
Raggio dente r_3	10
Larghezza raggio C	1
Larghezza dente B_1	5,3
CATENA	[mm]
Passo	9,525
Larghezza interna	5,72
Rullo \varnothing	6,35



Z	D_e [mm]	D_p [mm]	D_m [mm]	D1 [mm]	A [mm]	W [kg]	Codice
13	43,5	39,80	28	8	25	0,13	QPX06B1-013
14	46,5	42,80	31	8	25	0,16	QPX06B1-014
15	49,5	45,81	34	8	25	0,18	QPX06B1-015
16	52,5	48,82	37	10	28	0,24	QPX06B1-016
17	55,5	51,83	40	10	28	0,28	QPX06B1-017
18	58,6	54,85	43	10	28	0,33	QPX06B1-018
19	61,6	57,87	45	10	28	0,36	QPX06B1-019
20	64,6	60,89	46	10	28	0,39	QPX06B1-020
21	67,6	63,91	48	12	28	0,42	QPX06B1-021
23	73,7	69,95	52	12	28	0,50	QPX06B1-023
25	79,7	76,00	57	12	28	0,60	QPX06B1-025
30	94,8	91,12	60	12	30	0,72	QPX06B1-030

Materiale: INOX AISI 304 L

D_e	Diametro esterno	mm
D_p	Diametro primitivo	mm
D_m	Diametro mozzo	mm
W	Peso	kg

Pignone semplice in acciaio inox

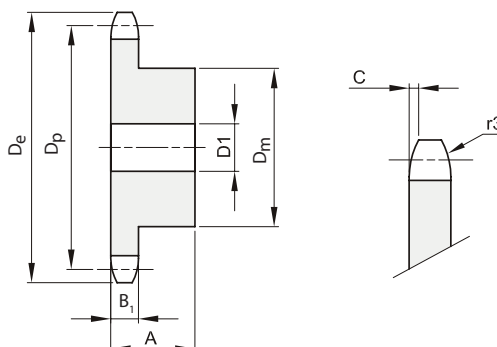
per catene a rulli secondo DIN 8187 - ISO/R 606



ISO 08B-1

Passo 1/2" x 5/16"

PIGNONE	[mm]
Raggio dente r_3	13
Larghezza raggio C	1,3
Larghezza dente B_1	7,2
CATENA	[mm]
Passo	12,7
Larghezza interna	7,75
Rullo \varnothing	8,51



Z	D_e [mm]	D_p [mm]	D_m [mm]	D_1 [mm]	A [mm]	W [kg]	Codice
12	53,9	49,07	33	10	28	0,21	QPX08B1-012
13	57,9	53,06	37	10	28	0,26	QPX08B1-013
14	61,9	57,07	41	10	28	0,32	QPX08B1-014
15	65,9	61,09	45	10	28	0,38	QPX08B1-015
16	69,9	65,10	50	12	28	0,46	QPX08B1-016
17	74,0	69,11	52	12	28	0,51	QPX08B1-017
18	78,0	73,14	56	12	28	0,59	QPX08B1-018
19	82,0	77,16	60	12	28	0,67	QPX08B1-019
20	86,0	81,19	64	12	28	0,76	QPX08B1-020
21	90,1	85,22	68	14	28	0,85	QPX08B1-021
23	98,1	93,27	70	14	28	0,94	QPX08B1-023
25	106,2	101,33	70	14	28	1,01	QPX08B1-025
30	126,3	121,50	80	16	30	1,46	QPX08B1-030

Materiale: INOX AISI 304 L

D_e Diametro esterno mm
 D_p Diametro primitivo mm
 D_m Diametro mozzo mm
W Peso kg

Pignone semplice in acciaio inox

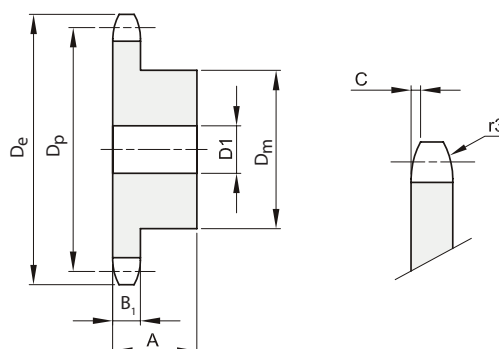
per catene a rulli secondo DIN 8187 - ISO/R 606



ISO 10B-1

Passo 5/8" x 3/8"

PIGNONE	[mm]
Raggio dente r_3	16
Larghezza raggio C	1,6
Larghezza dente B_1	9,1
CATENA	[mm]
Passo	15,875
Larghezza interna	9,65
Rullo \varnothing	10,16



Z	D_e [mm]	D_p [mm]	D_m [mm]	D1 [mm]	A [mm]	W [kg]	Codice
13	73,2	66,32	47	12	30	0,46	QPX10B1-013
14	78,2	71,34	52	12	30	0,56	QPX10B1-014
15	83,2	76,36	57	12	30	0,67	QPX10B1-015
16	88,3	81,37	60	12	30	0,76	QPX10B1-016
17	93,3	86,39	60	12	30	0,88	QPX10B1-017
18	98,3	91,42	70	14	30	1,01	QPX10B1-018
19	103,3	96,45	70	14	30	1,15	QPX10B1-019
20	108,4	101,49	75	14	30	1,21	QPX10B1-020
21	113,4	106,52	75	16	30	1,35	QPX10B1-021
23	123,5	116,58	80	16	30	1,47	QPX10B1-023
25	133,6	126,66	80	16	30	1,60	QPX10B1-025
30	158,8	151,87	90	20	35	2,41	QPX10B1-030

Pignone in acciaio inox

Materiale: INOX AISI 304 L

D_e	Diametro esterno	mm
D_p	Diametro primitivo	mm
D_m	Diametro mozzo	mm
W	Peso	kg

Pignone semplice in acciaio inox

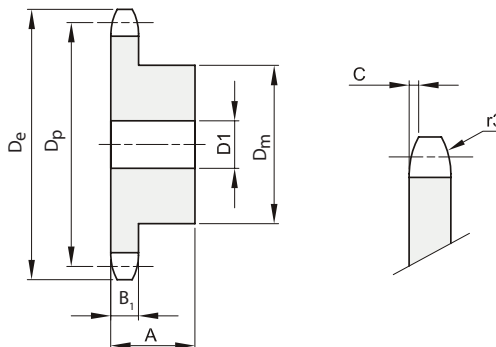
per catene a rulli secondo DIN 8187 - ISO/R 606



ISO 12B-1

Passo 3/4" x 7/16"

PIGNONE	[mm]
Raggio dente r_3	19
Larghezza raggio C	2
Larghezza dente B_1	11,1
CATENA	[mm]
Passo	19,50
Larghezza interna	11,68
Rullo \varnothing	12,07



Z	D_e [mm]	D_p [mm]	D_m [mm]	D1 [mm]	A [mm]	W [kg]	Codice
13	87,8	79,59	58	16	35	0,80	QPX12B1-013
14	93,8	85,61	64	16	35	0,97	QPX12B1-014
15	99,8	91,63	70	16	35	1,16	QPX12B1-015
16	105,8	97,65	75	16	35	1,34	QPX12B1-016
17	111,9	103,67	80	16	35	1,53	QPX12B1-017
18	117,9	109,71	80	16	35	1,62	QPX12B1-018
19	123,9	115,75	80	16	35	1,70	QPX12B1-019
20	130,0	121,78	80	16	35	1,80	QPX12B1-020
21	136,0	127,82	90	20	40	2,35	QPX12B1-021
23	148,1	139,90	90	20	40	2,56	QPX12B1-023
25	160,2	152,00	90	20	40	2,80	QPX12B1-025

Materiale: INOX AISI 304 L

D_e	Diametro esterno	mm
D_p	Diametro primitivo	mm
D_m	Diametro mozzo	mm
W	Peso	kg

Pignone semplice in acciaio inox

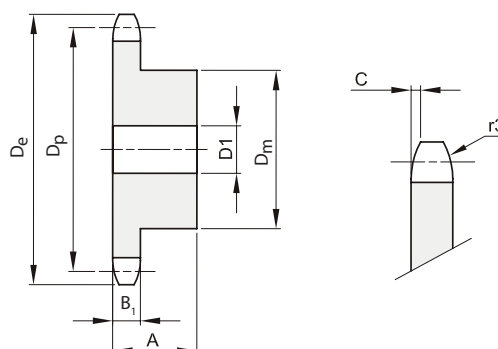
per catene a rulli secondo DIN 8187 - ISO/R 606



ISO 16B-1

Passo 1" x 17,02 mm

PIGNONE	[mm]
Raggio dente r_3	26
Larghezza raggio C	2,5
Larghezza dente B_1	16,2
CATENA	[mm]
Passo	25,4
Larghezza interna	17,02
Rullo \varnothing	15,88



Z	D_e [mm]	D_p [mm]	D_m [mm]	D1 [mm]	A [mm]	W [kg]	Codice
12	109,7	98,14	69	16	40	1,43	QPX16B1-012
13	117,7	106,12	78	16	40	1,77	QPX16B1-013
14	125,7	114,15	84	16	40	2,08	QPX16B1-014
15	133,7	122,17	92	16	40	2,46	QPX16B1-015
16	141,8	130,20	100	20	45	3,14	QPX16B1-016
17	149,8	138,22	100	20	45	3,34	QPX16B1-017
18	157,8	146,28	100	20	45	3,56	QPX16B1-018
19	165,9	154,33	100	20	45	3,78	QPX16B1-019
20	173,9	162,38	100	20	45	4,03	QPX16B1-020
21	182,0	170,43	110	20	50	5,14	QPX16B1-021

Materiale: INOX AISI 304 L

D_e	Diametro esterno	mm
D_p	Diametro primitivo	mm
D_m	Diametro mozzo	mm
W	Peso	kg