

Directional control valves
hydraulic operated poppet 2-way normally open
Special cavity, 021-E

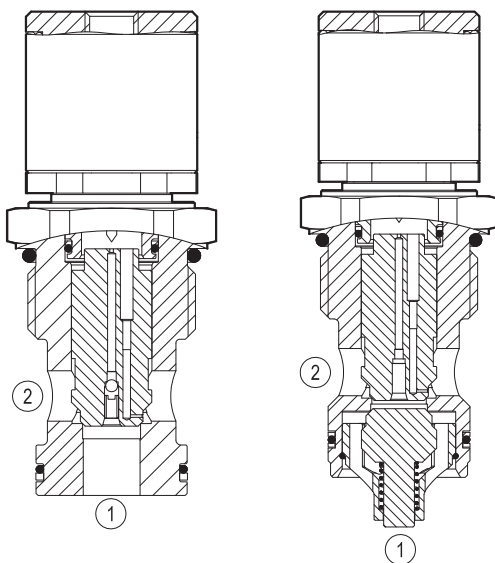
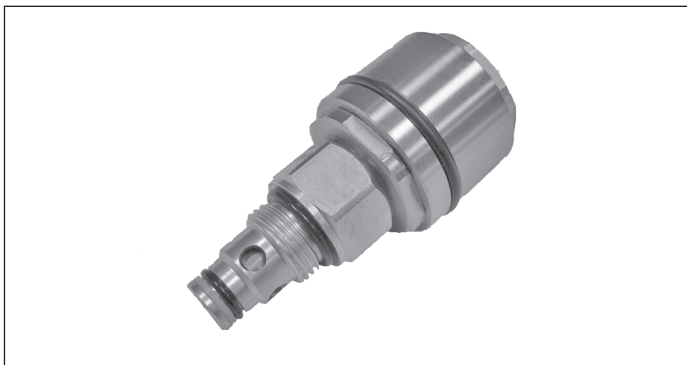
VOI-8A-2A-12-NA

OD.75 - X - 21 - Y -00

RE 18326-47

Edition: 01.2010

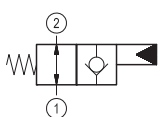
Replaces: 01.2006



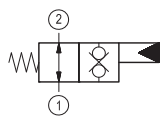
Technical data

General	
Weight	0.48 kg (1.1 lbs)
Installation orientation	Optional
Ambient temperature range	-30 to 60 °C (-22 to 140 °F)
Hydraulic	
Max. operating pressure	350 bar (5000 psi)
Max. flow	150 bar (39 psi)
Max. internal leakage	20 drops/min.
Fluid temperature range	-20 to 80 °C (-4 to 176 °F)
Fluids: Mineral-based or synthetics with lubricating properties at viscosities of 20 to 380 mm ² /s (cSt)	
Installation torque	80 - 100 Nm (59 - 74 ft-lbs)
Recommended degree of fluid contamination	Nominal value max. 25 µm (NAS 8) ISO 4406 19/17/14
Special cavity	021-E see 18325-75
Lines bodies and standard assemblies	Please refer to section "Hydraulic integrated circuit" or consult factory
Seal kit – version 06-12	code RG21E201052010 material no. R934003566
Seal kit – version 32	code RG21E201053010 material no. R934003567
Other technical data	See data sheet 18350-50

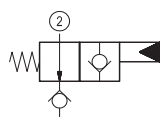
▼ Version 06



▼ Version 32



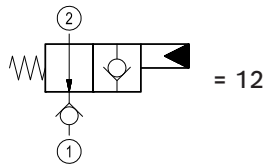
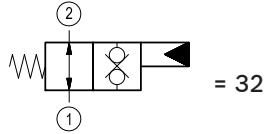
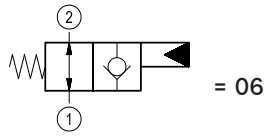
▼ Version 12



Ordering code

OD.75	*	21	*	00
--------------	----------	-----------	----------	-----------

Directional control valves
hydraulic operated poppet 2-way
normally open



	Pilot pressure	
	Min. bar (psi)	Max. bar (psi)
14	2-3 (29-44)	15 (218)
34	15-20 (218-290)	50 (725)

Special cavity: 021-E

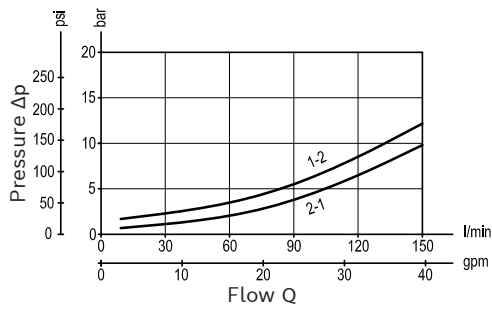
Preferred types

Type	Material number
OD750621140000	R934001476
OD750621340000	R987246099
OD753221140000	R934001493
OD753221340000	R934001494

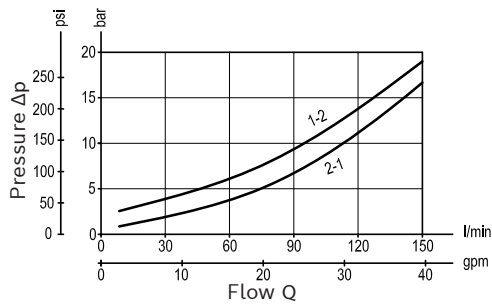
Type	Material number
OD751221340000	R934001480

Characteristic curves

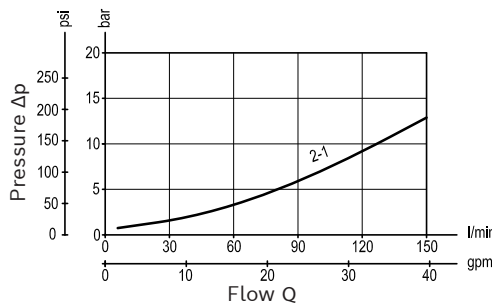
Version 06

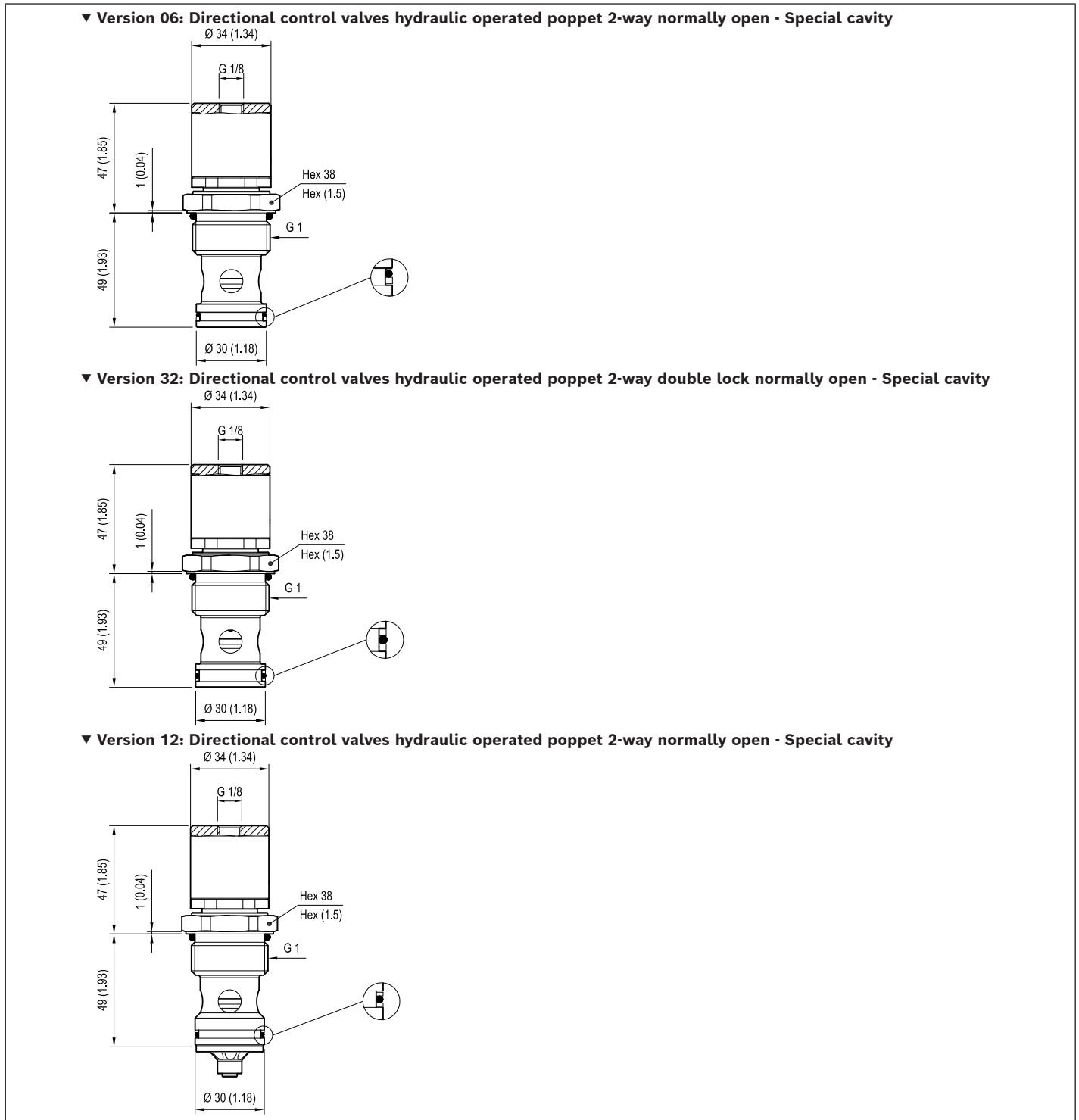


Version 32



Version 12



Dimensions**Bosch Rexroth Oil Control S.p.A.**

Via Leonardo da Vinci 5
P.O. Box no. 5
41015 Nonantola – Modena, Italy
Tel. +39 059 887 611
Fax +39 059 547 848
compact-hydraulics-cv@boschrexroth.com
www.boschrexroth.com/compacthydraulics

© This document, as well as the data, specifications and other information set forth in it, are the exclusive property of Bosch Rexroth Oil Control S.p.a.. It may not be reproduced or given to third parties without its consent. The data specified above only serve to describe the product. No statements concerning a certain condition or suitability for a certain application can be derived from our information. The information given does not release the user from the obligation of own judgment and verification. It must be remembered that our products are subject to a natural process of wear and aging. Subject to change.