

# Solenoid operated valves

## 2-way 2-positions

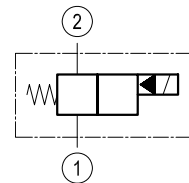
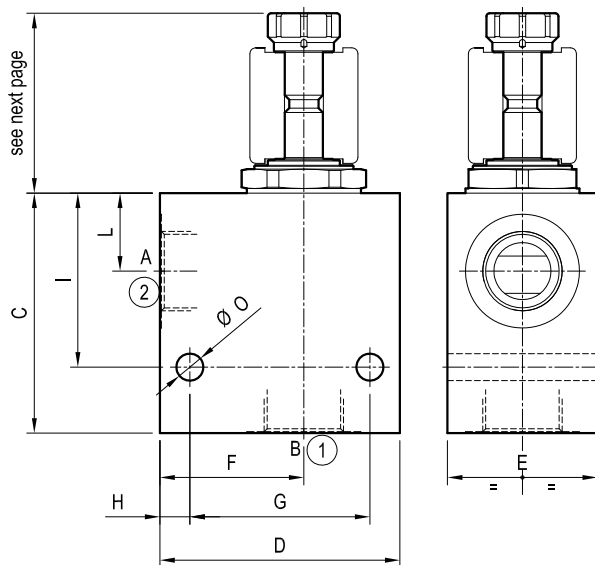
Common cavity size 16

Cartridge style in manifold

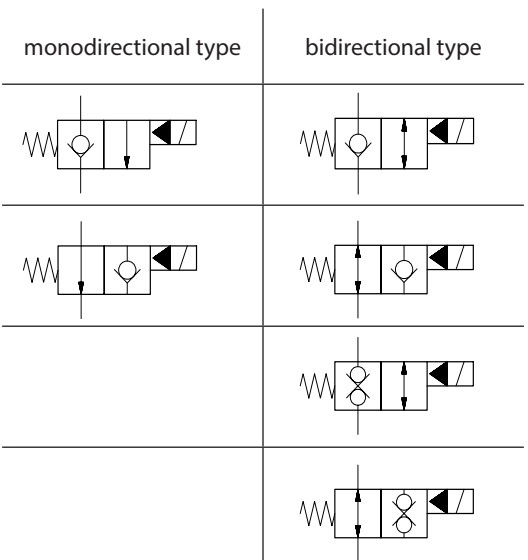
VEI-CS-7A/8A-16A

OS.15 - K - 75 - Y - Z - W

### Dimensions



### Cartridge schemes



[ mm (inches) ]

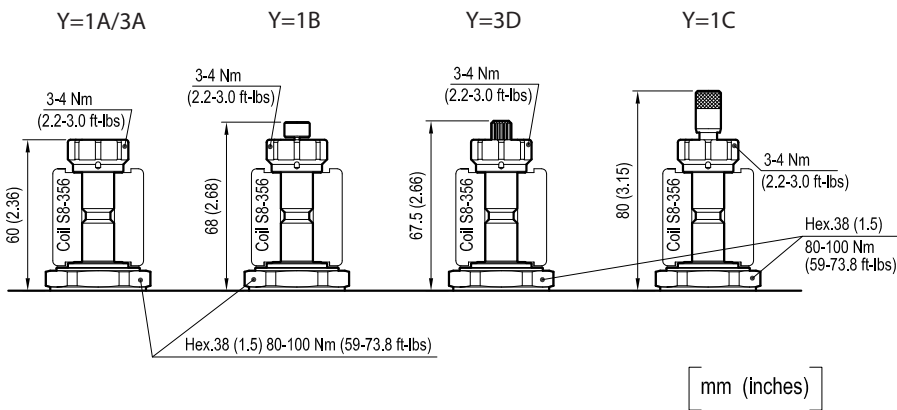
A - B	C	D	E	F	G	H	I	L	O
G 3/4	80 (3.15)	80 (3.15)	50 (1.97)	48 (1.89)	60 (2.36)	10 (0.39)	58 (2.28)	26 (1.02)	9 (0.35)
G 1	80 (3.15)	90 (3.54)	50 (1.97)	53 (2.09)	60 (2.36)	20 (0.79)	58 (2.28)	26 (1.02)	9 (0.35)

### Technical data

Max flow:	up to 150 l/min	(40 gpm)
Max operating pressure for steel body:	350 bar	(5000 psi)
Max operating pressure for aluminium body:	210 bar	(3000 psi)

To order only manifold see data sheet RE 18325-85

Dimensions

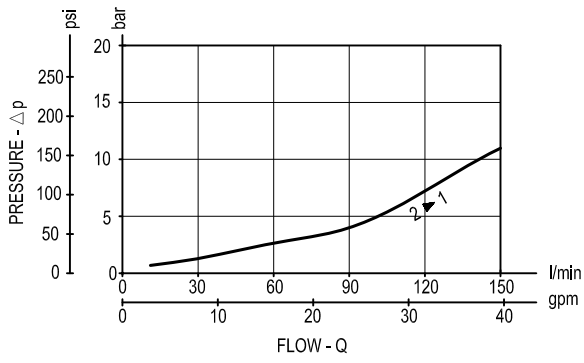


CARTRIDGE TECHNICAL DATA
Common cavity: CA-16A-2N
Filtration: 25 µm nominal or better
Minimum voltage required: 90% of nominal value
Coil : must be ordered separately (see data sheets RE 18325-90)
Mounting position: unrestricted

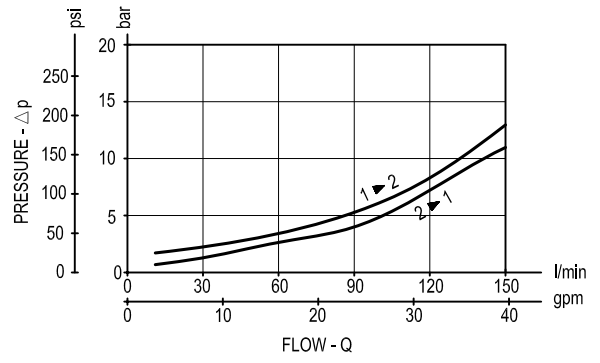
OS15	- K -		75	- Y -		- Z -		- W -		CARTRIDGE SCHEME	
	monodir.	bidir.		Rated Flow	Ports size 1-2	Material	monodir.	bidir.			
			150 l/min (40 gpm)	G 3/4	G 1	Aluminium	Steel				
CARTRIDGE CODE	OD15	01	05	75	3A	04	05	00	S0		
	OD15	01	05	75	3D	04	05	00	S0		
	OD15	02	06	75	1A	04	05	00	S0		
	OD15	02	06	75	1B	04	05	00	S0		
	OD15	02	06	75	1C	04	05	00	S0		
	OD15		31	75	3A	04	05	00	S0		
	OD15		31	75	3D	04	05	00	S0		
	OD15		32	75	1A	04	05	00	S0		
	OD15		32	75	1B	04	05	00	S0		
	OD15		32	75	1C	04	05	00	S0		

Performance graphs

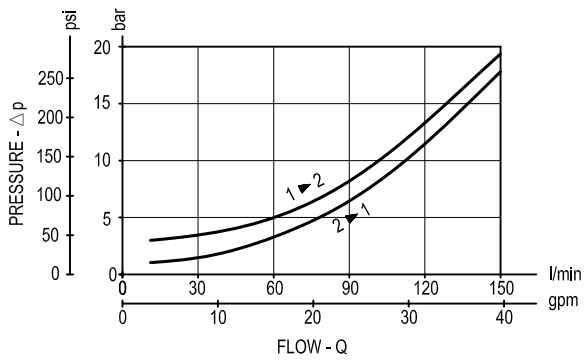
for K=01-02



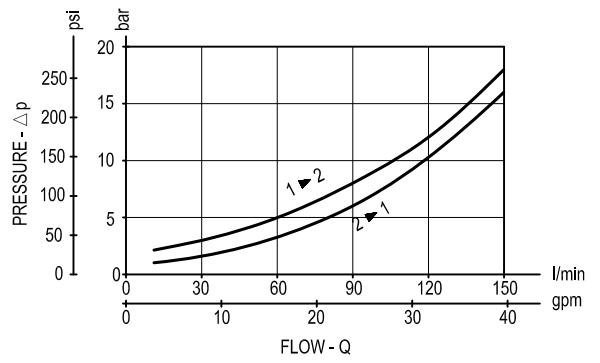
for K=05 / Y=3A-3D  
for K=06 / Y=1A-1B-1C



for K=31 / Y=3A-3D



for K=32 / Y=1A-1B-1C



Ordering code

OS.15	K	75	Y	Z	W
-------	---	----	---	---	---

Manifold with solenoid operated valve, 2-way 2-positions

Cartridge scheme (see page 1 and 2)

= 01	Monodirectional
= 02	
= 05	Bidirectional
= 06	
= 31	
= 32	

Common cavity Size 16

Manifold material

= 00	Aluminium
= S0	Steel

Port sizes (see table on page 2)

= 04	G 3/4
= 05	G 1

See table on page 2

Preferred types (readily available)

Type	Material number
OS1531753A0500	R934003386

Type	Material number

Further types available by request