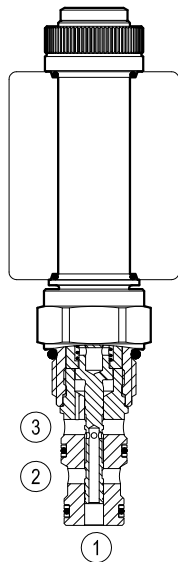


Proportional valves direct acting pressure reducing

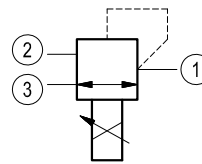
Common cavity, Size 10

VEP-5A-3R-06

OD.91.01.77 - Y - 00



Version 01



General

Weight	kg (lbs)	0.3 (0.66)
Installation orientation		Optional
Ambient temperature range	°C (°F)	-30 to 60 (-22 to 140)
Salt spray test to DIN EN ISO 9227:2017-07		500h

Hydraulic

Max. operating pressure port 2	bar (psi)	210 (3000)
Max. pressure admitted port 1	bar (psi)	22 (319)
Max. flow	l/min.(gpm)	10 (3)
Max. internal leakage	cm ³ /min. (cu.in./min.)	12 (0.7)
Fluid temperature range	°C (°F)	-20 to 80 (-4 to 176)
Fluids		Mineral-based or synthetics with lubricating properties at viscosities of 15 to 380 mm ² /s (cSt)
Installation torque	Nm (ft-lbs)	44-56 (33-41)
Recommended degree of fluid contamination		Nominal value max. 10µm (NAS 8) ISO 4406 19/17/14
Cavity		CA-10A-3N see RE 18325-70
Lines bodies and standard assemblies		Please refer to section "Hydraulic integrated circuit" or consult factory
Seal kit	code material no.	RG10A3010530100 R930000990
Seal kit coil	code material no.	RG19A1PNBR7010 R934003964
Other technical data		See data sheet RE 18350-50

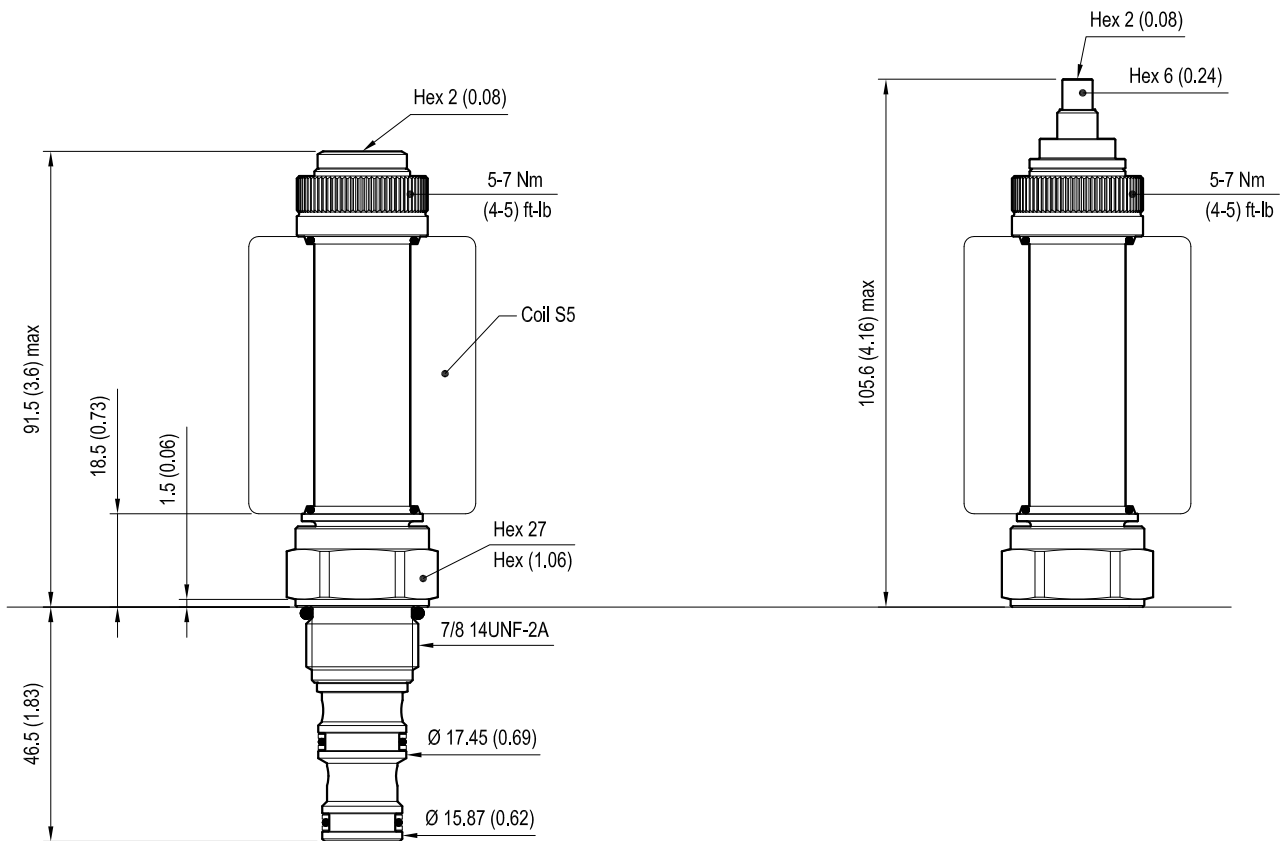
Electrical

Type of voltage	DC voltage
Coil type	S5
Supply voltage	12 DC
Nominal voltage	± 10%
Power consumption	W 23
Duty cycle	% 100
Type of protection	See data sheet RE 18325-90

Note: Coils must be ordered separately.

Dimensions

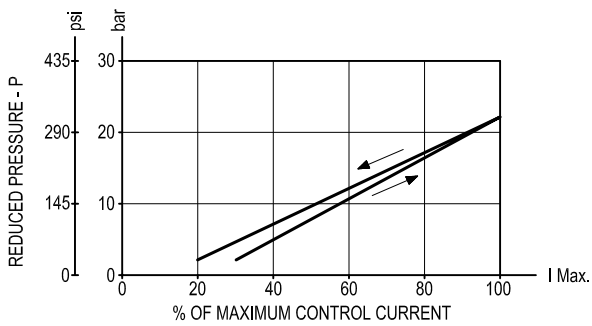
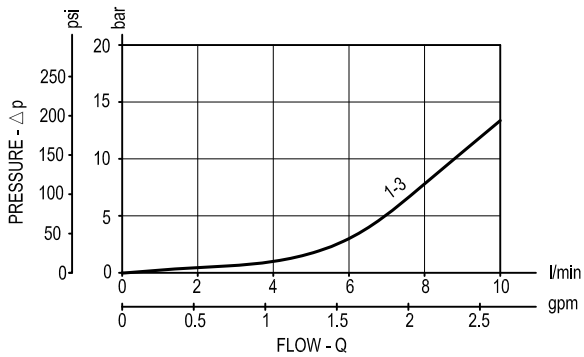
Proportional valves direct acting pressure reducing



mm (Inches)

Allowed back pressure at port 3 (T): 5 bar (73 psi)
max

Performance graphs



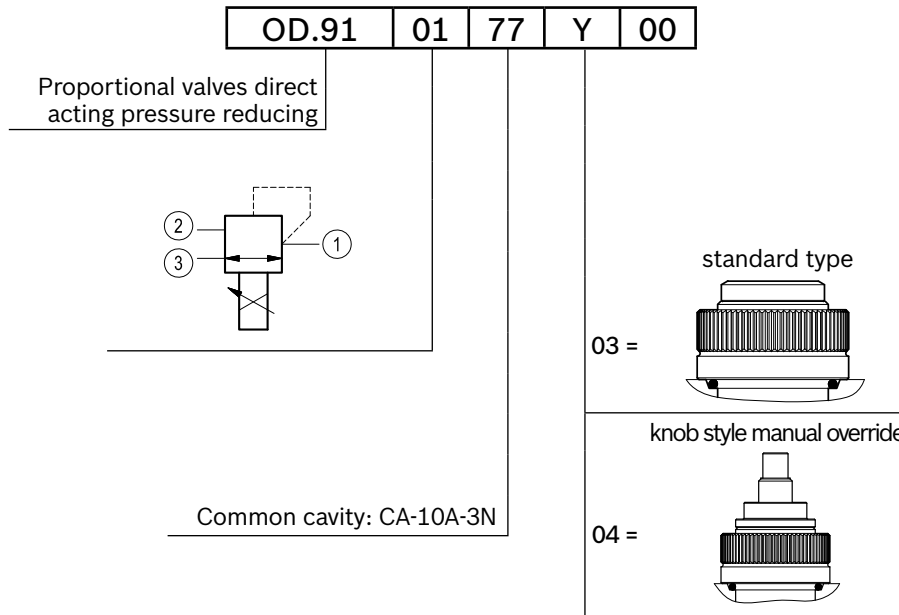
	I	P bar (psi)	Coils
I min:	0.45 A	2 (29)	12 DC
I max:	2.0 A	22 (319)	12 DC
PMW Frequency: 120-150 Hz			
Hysteresis: < 5%			

Note (1): It is recommended to use coil 12 DC.

Note (2): It is recommended to bleed air carefully before operation.

Note (3): Performance using coil without diode.

Ordering code



Type	Material number
OD910177030000	R934001495
OD910177040000	R934003442

Type	Material number