

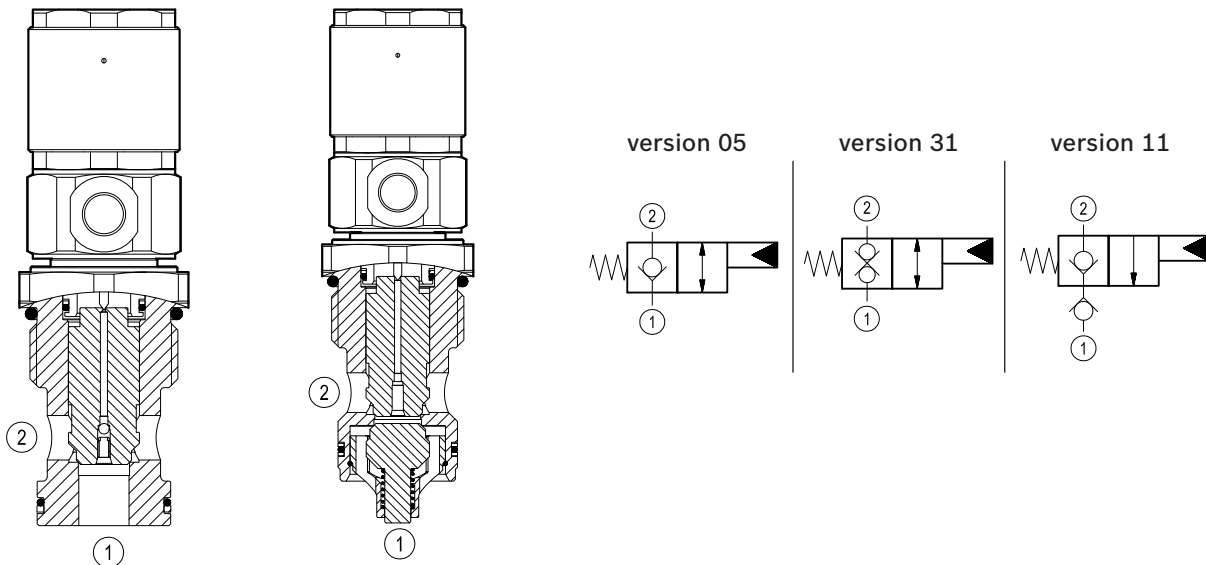
# Directional control valves hydraulic operated poppet 2-way normally closed

Special cavity, 021-E



VOI-8A-2A-12-NC

OD.75 - X - 21 - Y - 00



## General

Weight	kg (lbs)	0.5 (1.1)
Installation orientation		Optional
Ambient temperature range	°C (°F)	-30 to 60 (-22 to 140)

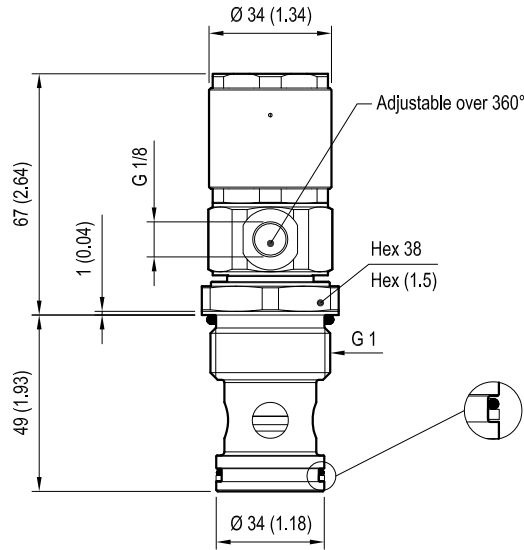
## Hydraulic

Max. operating pressure	bar (psi)	350 (5000)
Max. flow	l/min. (gpm)	150 (39)
Max. internal leakage	drops/min.	20
Fluid temperature range	°C (°F)	-20 to 80 (-4 to 176)
Fluids		Mineral-based or synthetics with lubricating properties at viscosities of 20 to 380 mm <sup>2</sup> /s (cSt)
Installation torque	Nm (ft-lbs)	80-100 (59-74)
Recommended degree of fluid contamination		Nominal value max. 25µm (NAS 8) ISO 4406 19/17/14
Cavity		021-E see RE 18325-75
Lines bodies and standard assemblies		Please refer to section "Hydraulic integrated circuit" or consult factory
Seal kit - version 05-11	code material no.	RG21E201052010 R934003566
Seal kit - version 31	code material no.	RG21E201053010 R934003567
Other technical data		See data sheet RE 18350-50

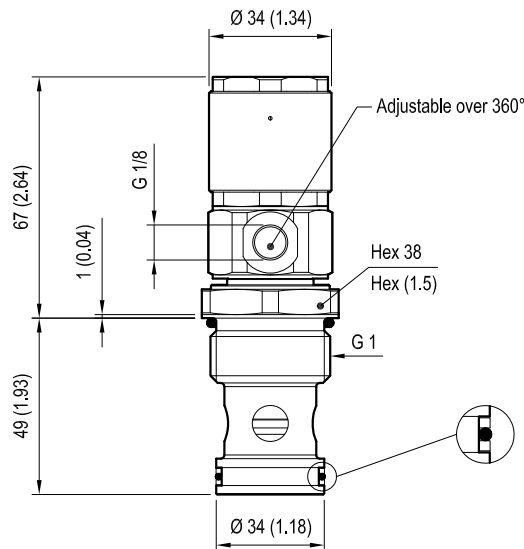
**IMPORTANT:** When valve is not operated, flow from 1 to 2 is not recommended due to high opening pressure. (version 05)

## Dimensions

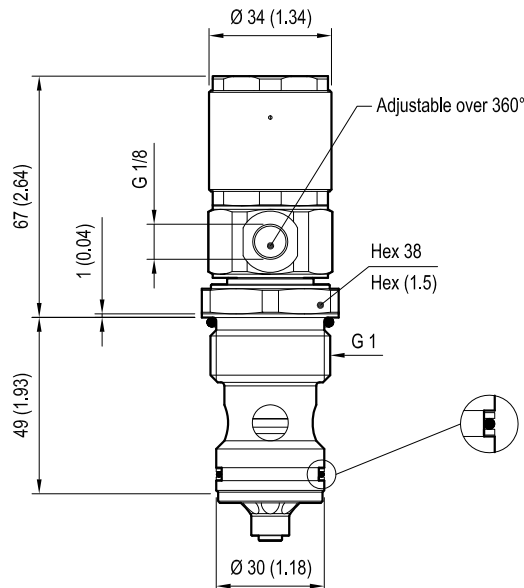
Version 05: Directional control valves hydraulic operated poppet 2-way normally closed - Special cavity



Version 31: Directional control valves hydraulic operated poppet 2-way double lock normally closed - Special cavity

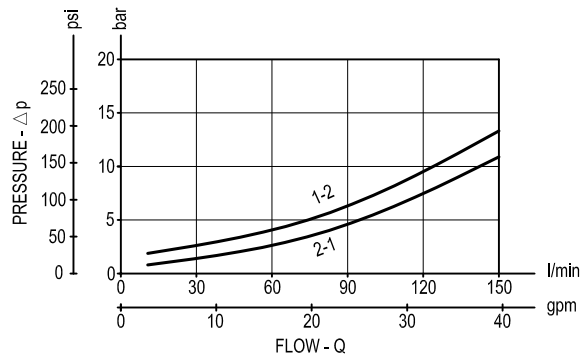


Version 11: Directional control valves hydraulic operated poppet 2-way normally closed - Special cavity

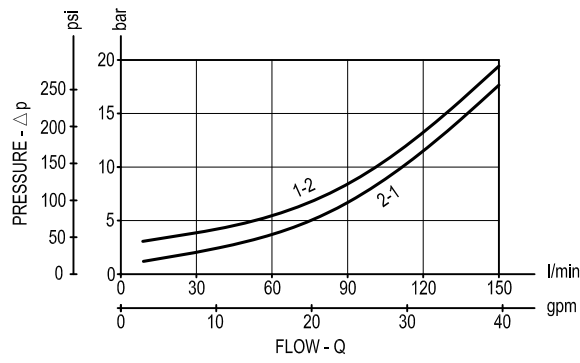


# Performance graphs

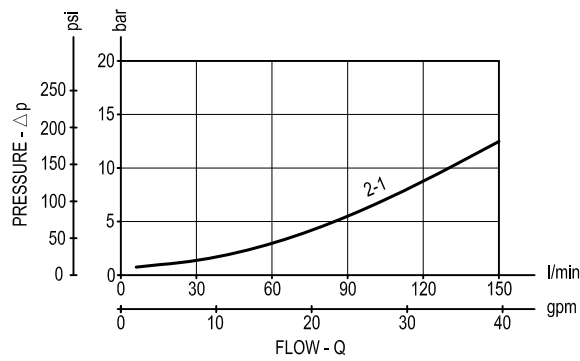
Version 05



Version 31



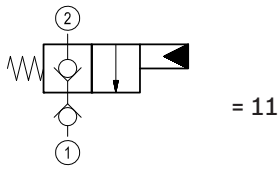
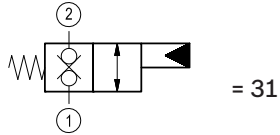
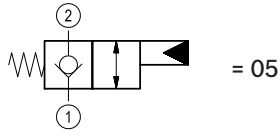
Version 11



Ordering code

OD.75 \* 21 \* 00

Directional control valves  
hydraulic operated poppet  
2-way normally closed



Pilot pressure		
	Min. bar (psi)	Max. bar (psi)
14	2-3 (29-44)	15 (218)
34	15-20 (218-290)	50 (725)

Special cavity: 021-E

Type	Material number
OD750521140000	R934001470
OD750521340000	R987246098
OD753121140000	R934001486
OD753121340000	R934001487
OD751121340000	R934001479

Type	Material number