

## Counterbalance, standard poppet type

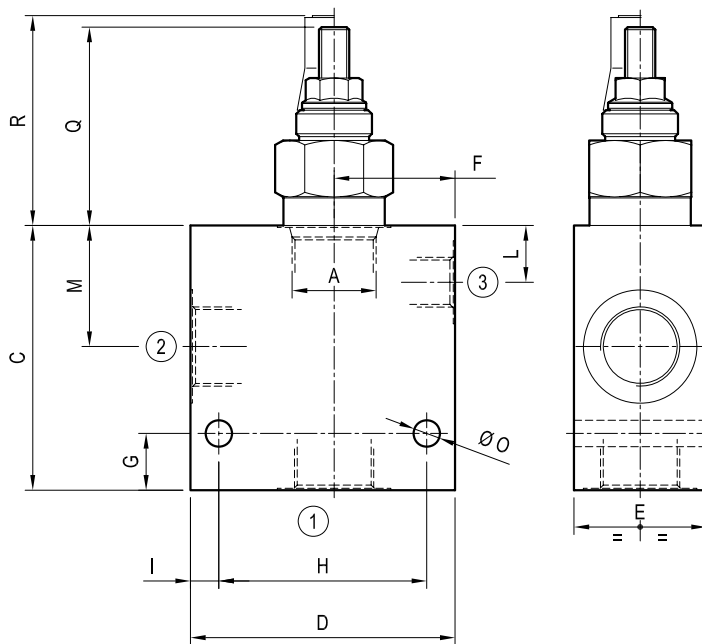
Common cavity

Cartridge style in manifold

VBSN-C

OY.02 - K - X - Y - Z - W

### Dimensions



### Technical data

Max flow:	up to 320 l/min	(85 gpm)
Max operating pressure for steel body:	350 bar	(5000 psi)
Max operating pressure for aluminium body:	210 bar	(3000 psi)

To order only manifold see data sheet RE 18325-85

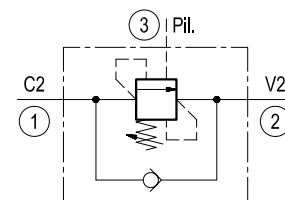


Table "Y"

Cavity A	Y	PORT SIZE		Max Flow l/min (gpm)	DIMENSIONS mm (Inches)												
		1 - 2	3		C	D	E	F	G	H	I	L	M	N	O	Q	R
SIZE 08	09	G 1/4	G 1/4	30 (8)	60 (2.36)	60 (2.36)	30 (1.18)	30 (1.18)	15 (0.59)	45 (1.77)	7.5 (0.3)	13 (0.51)	27 (1.06)		7 (0.28)	55 (2.17)	64 (2.52)
	02	G 3/8	G 1/4		60 (2.36)	60 (2.36)	30 (1.18)	30 (1.18)	15 (0.59)	45 (1.77)	7.5 (0.3)	13 (0.51)	27 (1.06)		7 (0.28)		
SIZE 10	02	G 3/8	G 1/4	60 (16)	70 (2.76)	60 (2.36)	35 (1.38)	30 (1.18)	15 (0.59)	45 (1.77)	7.5 (0.30)	15 (0.59)	32 (1.26)		7 (0.28)	53 (2.09)	59 (2.32)
	03	G 1/2	G 1/4		70 (2.76)	70 (2.76)	35 (1.38)	32 (1.26)	15 (0.59)	55 (2.17)	7.5 (0.30)	15 (0.59)	32 (1.26)		7 (0.28)		
SIZE 12	03	G 1/2	G 1/4	120 (32)	80 (3.15)	75 (2.95)	40 (1.58)	35 (1.38)	15 (0.59)	55 (2.17)	10 (0.39)	24 (0.95)	42 (1.65)		9 (0.35)	61 (2.4)	67 (2.64)
	04	G 3/4	G 1/4		90 (3.54)	75 (2.95)	40 (1.58)	35 (1.38)	15 (0.59)	55 (2.17)	10 (0.39)	24 (0.95)	42 (1.65)		9 (0.35)		
SIZE 16	04	G 3/4	G 1/4	200 (53)	90 (3.54)	80 (3.15)	50 (1.97)	38 (1.50)	22 (0.87)	60 (2.36)	10 (0.39)	18.5 (0.73)	39 (1.54)		9 (0.35)	73 (2.87)	80 (3.15)
	05	G 1	G 1/4		90 (3.54)	90 (3.54)	50 (1.97)	40 (1.58)	22 (0.87)	70 (2.76)	10 (0.39)	18.5 (0.73)	39 (1.54)		9 (0.35)		
SIZE 20	05	G 1	G 1/4	320 (85)	110 (4.33)	100 (3.94)	60 (2.36)	45 (1.77)	25 (0.98)	75 (2.95)	12.5 (0.49)	21 (0.83)	51 (2.01)		11 (0.43)	65 (2.56)	72.5 (2.85)
	06	G 1 1/4	G 1/4		110 (4.33)	100 (3.94)	60 (2.36)	45 (1.77)	25 (0.98)	75 (2.95)	12.5 (0.49)	21 (0.83)	51 (2.01)		11 (0.43)		



Performance graphs

