

# Solenoid operated valves

## 2-way 2-positions

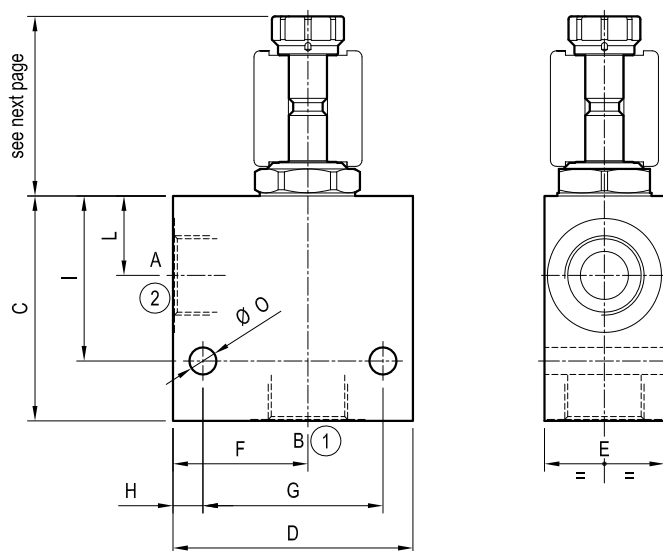
Common cavity size 12

Cartridge style in manifold

VEI-CS-8A-12A

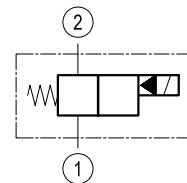
OS.15 - K - 89 - Y - Z - W

### Dimensions

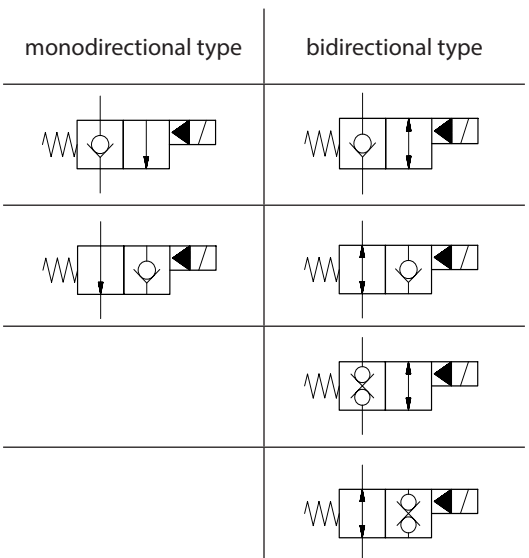


[ mm (inches) ]

A - B	C	D	E	F	G	H	I	L	O
G 3/4	75 (2.95)	80 (3.15)	40 (1.58)	45 (1.77)	60 (2.36)	10 (0.39)	55 (2.17)	26.5 (1.04)	9 (0.35)
G 1	75 (2.95)	80 (3.15)	50 (1.97)	45 (1.77)	60 (2.36)	10 (0.39)	55 (2.17)	26.5 (1.04)	9 (0.35)



### Cartridge schemes



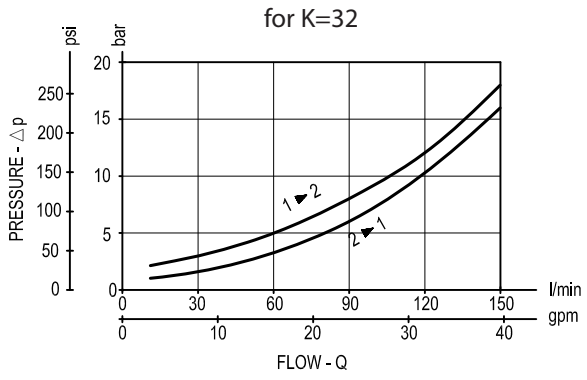
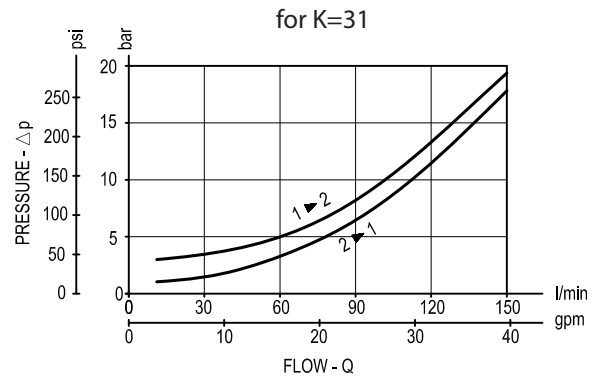
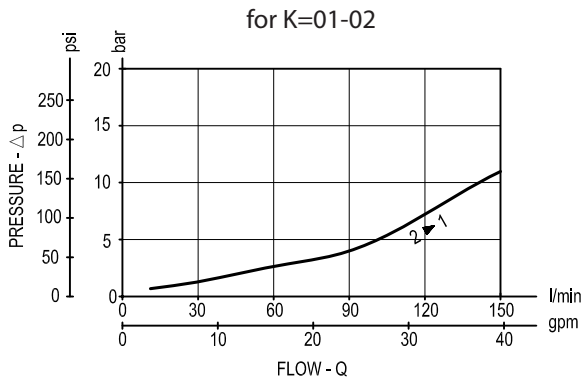
### Technical data

Max flow:	up to 150 l/min	(40 gpm)
Max operating pressure for steel body:	350 bar	(5000 psi)
Max operating pressure for aluminium body:	210 bar	(3000 psi)

To order only manifold see data sheet RE 18325-85



Performance graphs



Ordering code

OS.15	K	89	Y	Z	W
-------	---	----	---	---	---

Manifold with solenoid operated valve, 2-way 2-positions

Cartridge scheme (see page 1 and 2)

= 01	Monodirectional
= 02	
= 05	Bidirectional
= 06	
= 31	
= 32	

Common cavity Size 12

Manifold material

= 00	Aluminium
= S0	Steel

Port sizes (see table on page 2)

= 04	G 3/4
= 05	G 1

See table on page 2

Preferred types (readily available)

Type	Material number
OS1505893D05S0	R934000599
OS1506891B05S0	R934000590
OS1531893D05S0	R934000571
OS1532891B05S0	R934000586

Type	Material number

Further types available by request