

Stand alone 4/3, 4/2 direct acting directional valve LF2_1... (LC2F-DZ)

RE 18305-03

Edition: 04.2016

Replaces: 02.2016



Size 10

Series 00

Maximum operating pressure 250 bar (3600 psi)

Maximum flow 90 l/min (23.8 gpm)

Port connections G 1/2 – SAE10

General specifications

4 way, 2 or 3 position spool type solenoid operated directional valves.

Stand-alone valve body intended for “in-line” application. Available with a choice of threaded ports; mounting surface with installation holes for direct fitting on the machine structure.

Zinc plated body with yellow trivalent chrome treatment. Wet pin tubes for DC coils, with push rod for mechanical override; nickel plated surface.

Coils can be rotated 360° around the tube; they can be energized by AC current through special connectors with rectifier (RAC).

Plug-in connectors available: EN 175301-803 (was DIN 43650); AMP Junior; DT04-2P (Deutsch), free leads.

Coils removable.

Manual override (push button or lever type) available as option.

Spool variants (for different hydraulic schemes) are available for both 2 and 3 position versions.

Contents

Ordering details	2
Symbols	2
Functional description	3
Technical data	3
Characteristic curves	5
External dimensions and fittings	6
Electric connection	7

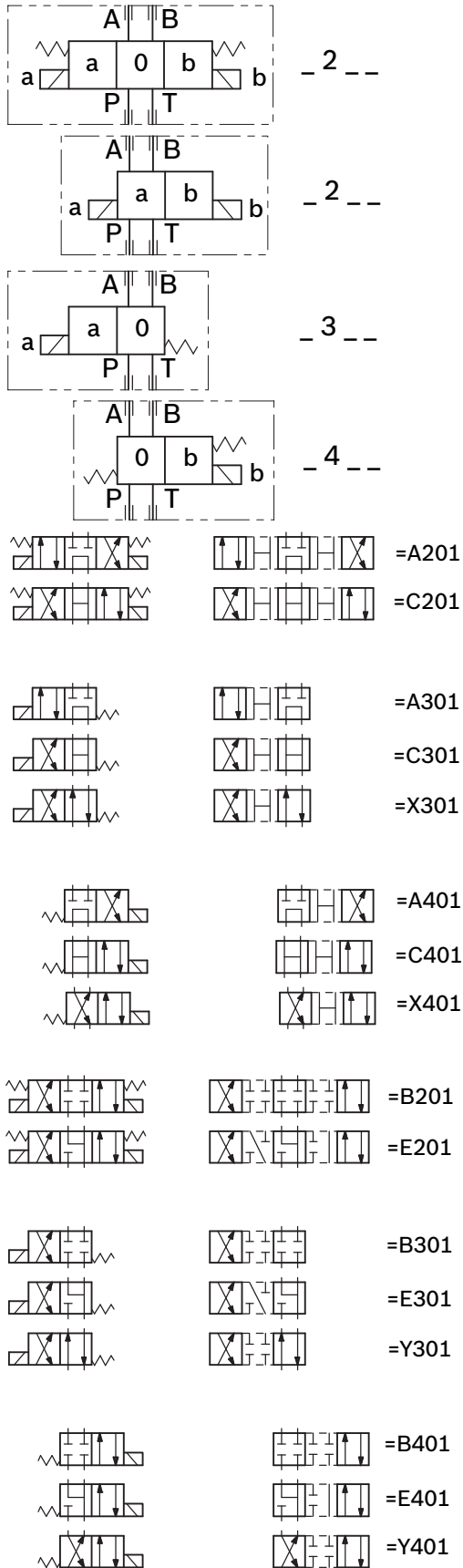
Ordering details

01	02	03	04	05	06	07	08	09	
L	F	2		1					
Family									
01	Directional Valve elements CDV							L	
Type									
02	Directional valve 4/3, 4/2							F	
Size									
03	10							2	
Ports									
04	G 1/2							2	
	7/8" - 14 UNF (SAE10)							D	
Coil Type									
05	C 65							1	
Spool variants									
06	4/3 operated on both sides a and b							2	--
	4/2 operated on side a only							3	--
	4/2 operated on side b only							4	--
Voltage supply									
		07	03	01	00				
07	Without coil				-	-	-	●	00
	12V DC				●	●	●	-	0B
	13V DC				●	-	●	-	AD
	24V DC				●	●	●	-	OC
	27V DC				●	-	●	-	AC
Electric connections									
08	Without coils							00	
	With coils, without mating connector DIN EN 175301-803 ¹⁾							01	
	With coils, with bi-directional diode, without mating connector vertical Amp-Junior							03	
	With coils, with bi-directional diode, without mating connector DT04-2P							07	
Options									
09	Standard							00	
	Push-button type manual override							0P	
	Screw type manual override							0F	

● = Available - = Not available

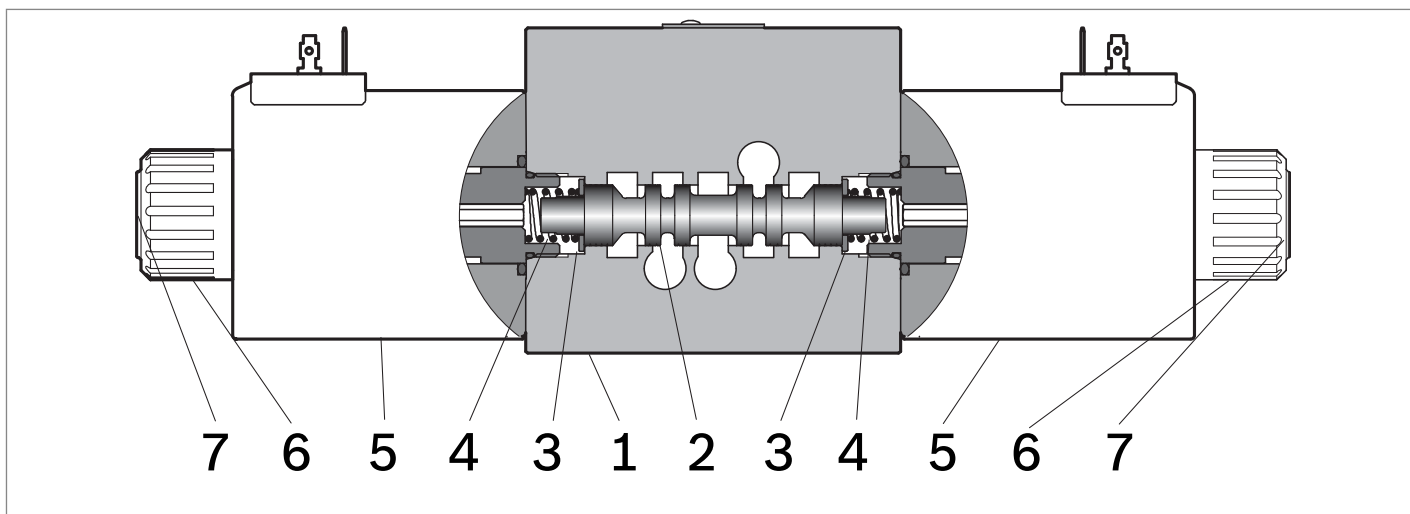
Symbols

Spool variants



1) For connectors ordering code see data sheet RE 18325-90.

Functional description



The directional valves LC2F_DZ are compact direct operated solenoid valves which control the start, the stop, the direction of the oil flow. They basically consist of a housing (1) with a control spool (2), one or two solenoids (5), and one or two return springs (4).

When energized, each solenoid (5) displaces the control spool (2) from its neutral-central position to the “a” or “b” position and the oil flow P is diverted to A, or to B. Once

the solenoid is de-energized, the return spring (4) pushes the spool thrust washer back against the housing and the spool (2) returns in its neutral-central position “0”.

Each coil is fastened to the solenoid tube (5) by a ring nut (6). A pin (7) allows to push the spool (2) in emergency conditions, when the solenoid cannot be energized, like in case of voltage shortage.

Technical data

General		
Valve weight with 2 solenoids	kg (lbs)	7.45 (16.42)
Valve weight with 1 solenoid	kg (lbs)	5.85 (12.9)
Ambient Temperature	°C (°F)	-20...+50 (-4...+122) (NBR seals)
Hydraulic		
Maximum pressure at P, A and B ports	bar (psi)	250 (3626)
Maximum pressure at T	bar (psi)	210 (3045)
Maximum inlet flow	l/min (gpm)	90 (23.8)
Maximum flow when using spool type A201-A301-A401	l/min (gpm)	80 (21.1)
Hydraulic fluid		Mineral oil based hydraulic fluids HL (DIN 51524 part 1). Mineral oil based hydraulic fluids HLP (DIN 51524 part 2). For use of environmentally acceptable fluids (vegetable or polyglycol base) please consult us.
General properties: it must have physical lubricating and chemical properties suitable for use in hydraulic systems such as, for example:		
Fluid Temperature	°C (°F)	-20...+80 (-4...+176) (NBR seals)
Permissible degree of fluid contamination		ISO 4572: $\beta_{x \geq 75} X = 12 \dots 15$ ISO 4406: class 20/18/15 NAS 1638: class 9
Viscosity range	mm ² /s	5...420

4 **LF2_1... (LC2F-DZ)** | Stand alone 4/3, 4/2 direct acting directional valve
 Technical data

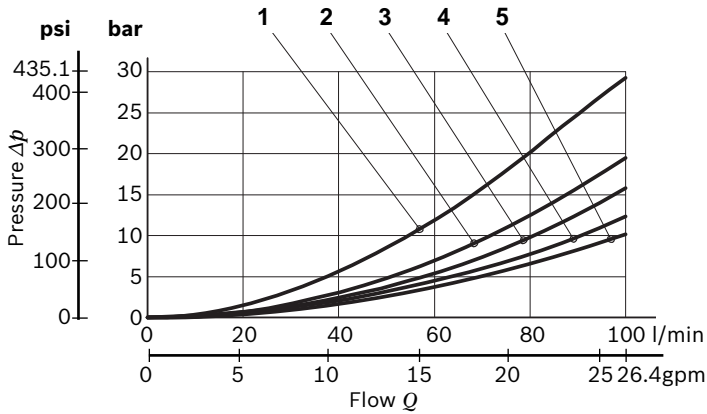
Electrical					
Voltage type		DC			
Voltage tolerance (nominal voltage)	%	-10 +10			
Duty		Continuous, with ambient temperature ≤ 50°C (122°F)			
Coil wire temperature not to be exceeded	°C (°F)	150 (302)			
Maximum frequency	Hz	2			
Insulation class		H			
Compliance with		Low Voltage Directive LVD 73/23/EC (2006/95/EC), 2004/108/EC			
Coil weight with connection EN 175301-803	kg (lbs)	1.05 (2.3)			
Voltage	V	12	13	24	27
Voltage type		DC	DC	DC	DC
Power consumption	W	44	44	44	44
Current (nominal at 20 °C (68 °F))	A	3.6	3.4	1.8	1.6
Resistance (nominal at 20 °C (68 °F))	Ω	3.2	3.6	12.8	16.8

Note

For applications with different specifications consult us.

Code	Voltage [V]	Connector type	Coil description	Marking	Coil Mat no.
OB 01	12 DC	EN 175301-803 (Ex. DIN 43650)	C6501 12DC	12 DC	R933000100
OB 03	12 DC	AMP JUNIOR	C6503 12DC	12 DC	R933000119
OB 07	12 DC	DEUTSCH DT 04-2P	C6507 12DC	12 DC	R933000107
AD 01	13 DC	EN 175301-803 (Ex. DIN 43650)	C6501 13DC	13 DC	R933000101
AD 07	13 DC	DEUTSCH DT 04-2P	C6507 13DC	13 DC	R933000112
OC 01	24 DC	EN 175301-803 (Ex. DIN 43650)	C6501 24DC	24 DC	R933000102
OC 03	24 DC	AMP JUNIOR	C6503 24DC	24 DC	R933000120
OC 07	24 DC	DEUTSCH DT 04-2P	C6507 24DC	24 DC	R933000111
AC 01	27 DC	EN 175301-803 (Ex. DIN 43650)	C6501 27DC	27 DC	R933000103
AC 07	27 DC	DEUTSCH DT 04-2P	C6507 27DC	27 DC	R933000113

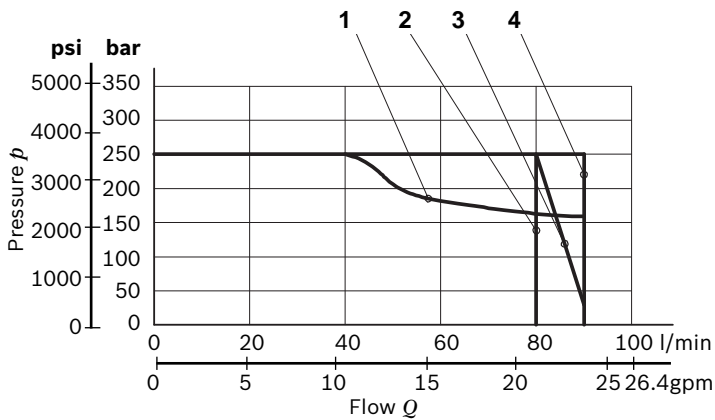
Characteristic curves



Spool Variant	Curve no.				
	P>T	P>A	P>B	A>T	B>T
A201,A301,A401	2	1	1	1	1
B201,B301,B401		4	4	3	3
C201,C301,C401	5	5	5	3	3
B201, B301, B401, B361, E201,E301,E401		4	4	3	3
X301,Y301,X401,Y401		5	4	4	3

Measured with hydraulic fluid ISO-VG32 at 45° ±5 °C (113° ±9 °F); ambient temperature 20 °C (68 °F).

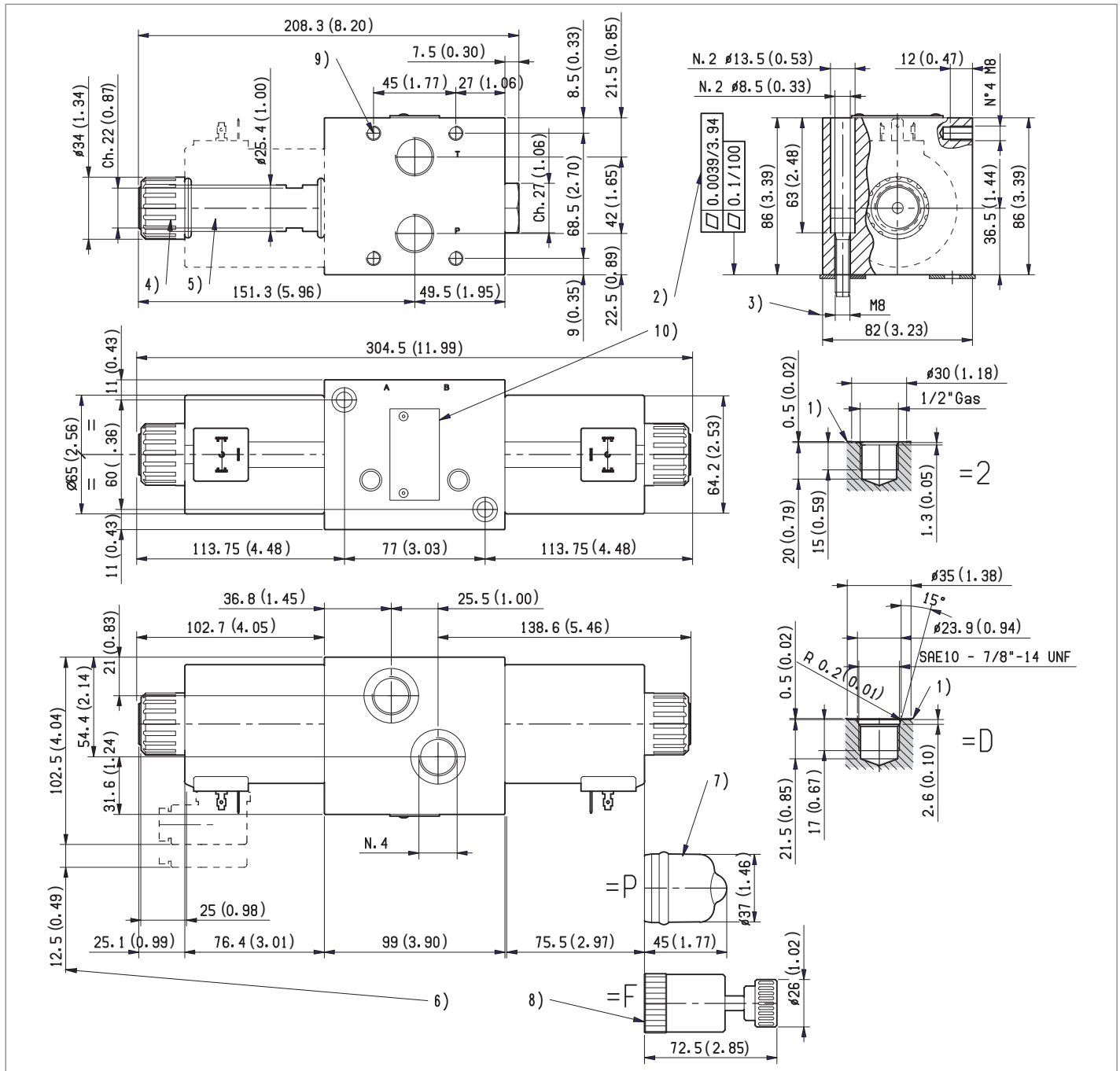
Performance limits



Spool Variant	Curve no.
E201, E301, E401	1
A201, A301, A401	2
X301, Y301, X401, Y401	3
B201, B301, B401, C201, C301, C401	4

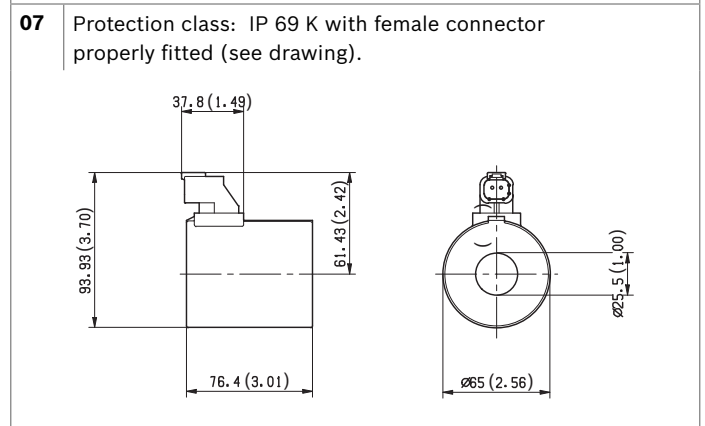
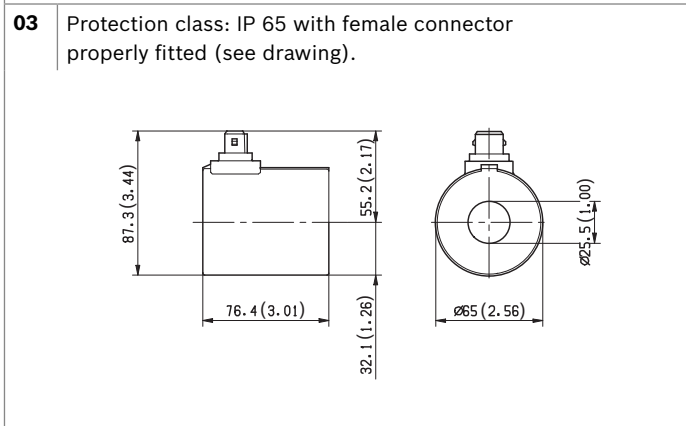
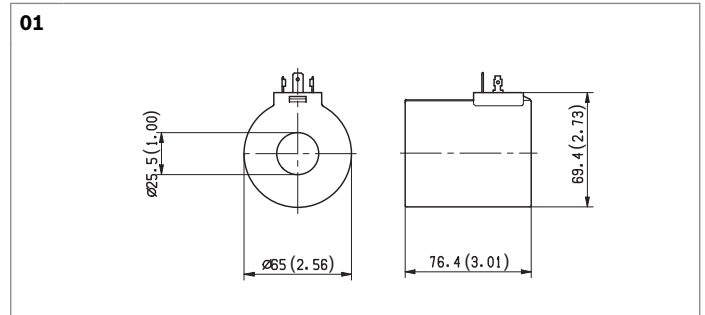
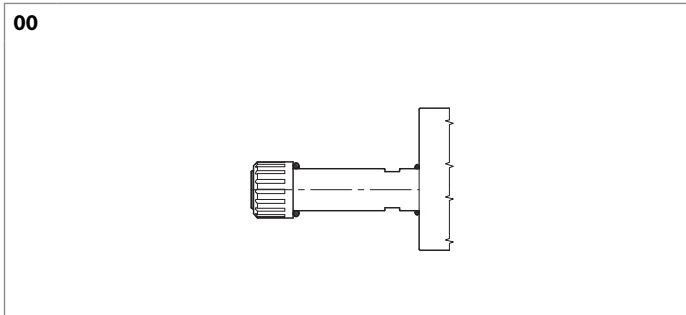
The performance curves are measured with flow going across and coming back, like P>A and B>T. With unequal IN and OUT flow, the actual total Δp can be considerably lower.

External dimensions and fittings



- 1 Work ports A, B, P, and T.
- 2 Flatness needed for mounting surface.
- 3 Two through installation holes recommended screws M8 DIN 8.8: torque 20-22 Nm (14.7-16.2 ft-lb). Must be ordered separately.
- 4 Ring nut for coil locking 34 mm dia. Torque 7-8 Nm (5.2-5.9 ft-lb).
- 5 Solenoid tube \varnothing 25.4 mm (1 inch).
- 6 Clearance needed for connector removal.
- 7 Optional push-button manual override for spool opening: it is pressure stuck to the ring nut for coil locking. Code R933003424.
- 8 Optional screw type manual override for spool opening: it is screwed (torque 6-7 (4.4-5.2 ft-lb)) to the tube as replacement of the coil ring nut. Code R933003713.
- 9 Four threaded holes M8 for fitting a secondary flangeable element on port A and B. Screws M8 with recommended strength class DIN 8.8: torque 20-22 Nm (14.7-16.2 ft-lb).
- 10 Identification label.

Electric connection



Bosch Rexroth Oil Control S.p.A.

Oleodinamica LC Division
Via Artigianale Sedrio, 12
42030 Vezzano sul Crostolo
Reggio Emilia - Italy
Tel. +39 0522 601 801
Fax +39 0522 606 226 / 601 802
compact-hydraulics-cdv@boschrexroth.com
www.boschrexroth.com/compacthydraulics

© This document, as well as the data, specifications and other information set forth in it, are the exclusive property of Bosch Rexroth Oil Control S.p.a.. It may not be reproduced or given to third parties without its consent. The data specified above only serve to describe the product. No statements concerning a certain condition or suitability for a certain application can be derived from our information. The information given does not release the user from the obligation of own judgment and verification. It must be remembered that our products are subject to a natural process of wear and aging.
Subject to change.