

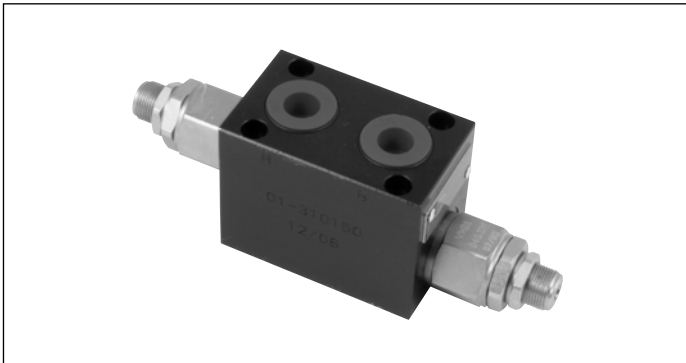
Flangeable elements with secondary pressure relief valves single or double

EDM-VM

RE 18301-41

Edition: 02.2016

Replaces: 06.2015

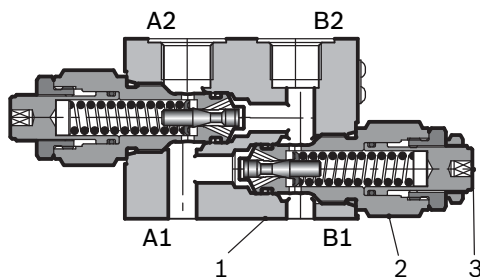


Description

The secondary flangeable elements EDM-VM-__ can be interfaced and bolted on top of the A and B ports of the ED elements of the Directional Valve Assembly.

The body (**1**) is made of black anodized aluminium, and it incorporates one or two direct acting pressure relief valves (**2**), fitted with cross-over configuration: the relief valve for line A releases the oil into line B and viceversa

The maximum secondary pressure in line A, or B, can be adjusted through the adjuster screw (**3**).



Technical data

| General | | |
|---|---|--|
| Weight EDM-VM-AB | kg (lbs) | 0.79 (1.75) |
| Weight EDM-VM-OA (EDM-VM-OB) | kg (lbs) | 0.61 (1.36) |
| Ambient Temperature | °C (°F) | -20....+50 (-4....+122) (NBR seals) |
| Hydraulic | | |
| Maximum pressure | bar (psi) | 250 (3625) |
| Maximum flow | l/min (gpm) | 50 (13.2) |
| Hydraulic fluid | Mineral oil based hydraulic fluids HL (DIN 51524 part 1). Mineral oil based hydraulic fluids HLP (DIN 51524 part 2). For use of environmentally acceptable fluids (vegetable or polyglycol base) please consult us. | |
| General properties: it must have physical lubricating and chemical properties suitable for use in hydraulic systems such as, for example: | | |
| Fluid Temperature | °C (°F) | -20....+80 (-4....+176) (NBR) |
| Permissible degree of fluid contamination | ISO 4572: $\beta_x \geq 75$ X=10...12 ISO 4406: class 19/17/14 NAS 1638: class 8 | |
| Viscosity range | mm ² /s | 5....420 |

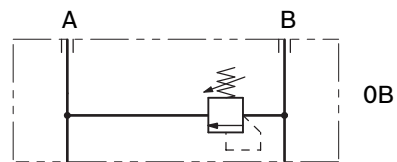
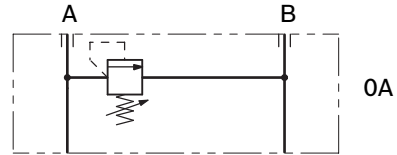
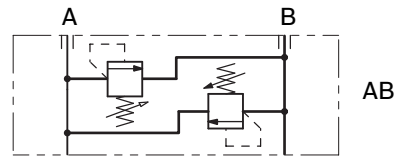
Note

For applications with different specifications consult us

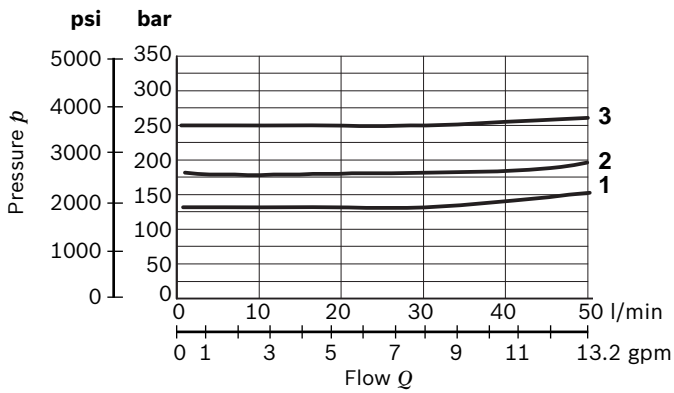
Ordering details

| 01 | 02 | 03 | 04 | 05 | 06 | 07 |
|----------------------------|--|-----------|----|----|-----------|-------------|
| L | 88 | 60 | | | 00 | 0 0 |
| Family | | | | | | |
| 01 | Directional Valve elements ED | | | | | L |
| Model | | | | | | |
| 02 | Flangeable element secondary valves | | | | | 88 |
| Type | | | | | | |
| 03 | Secondary pressure relief | | | | | 60 |
| Configuration | | | | | | |
| 04 | Pressure relief for both A and B ports | | | | | 02AB |
| | Pressure relief for port A only | | | | | 020A |
| | Pressure relief for port B only | | | | | 020B |
| Pressure adjustment | | | | | | |
| 05 | Relief cartridge with adjuster screw | | | | | S |
| | Relief cartridge with hand-knob | | | | | K |
| Pressure range | | | | | | |
| 06 | 25-120 bar (360-1740 psi) | | | | | N |
| | 40-200 bar (580-2900 psi) | | | | | B |
| | 150-350 bar (2175-5075 psi) | | | | | V |
| Ports | | | | | | |
| 07 | G 3/8 DIN 3852 | | | | | 0 |

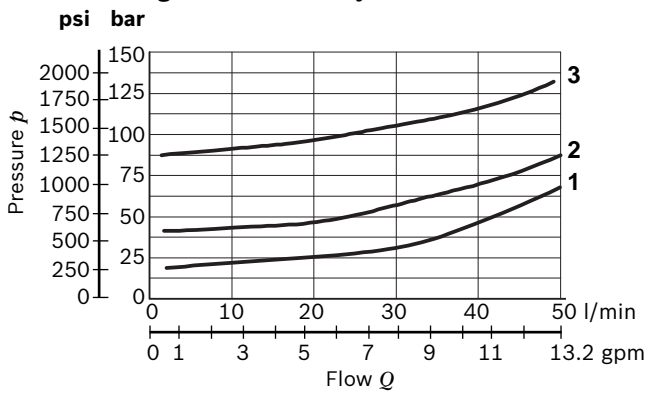
Symbols



Characteristic curves



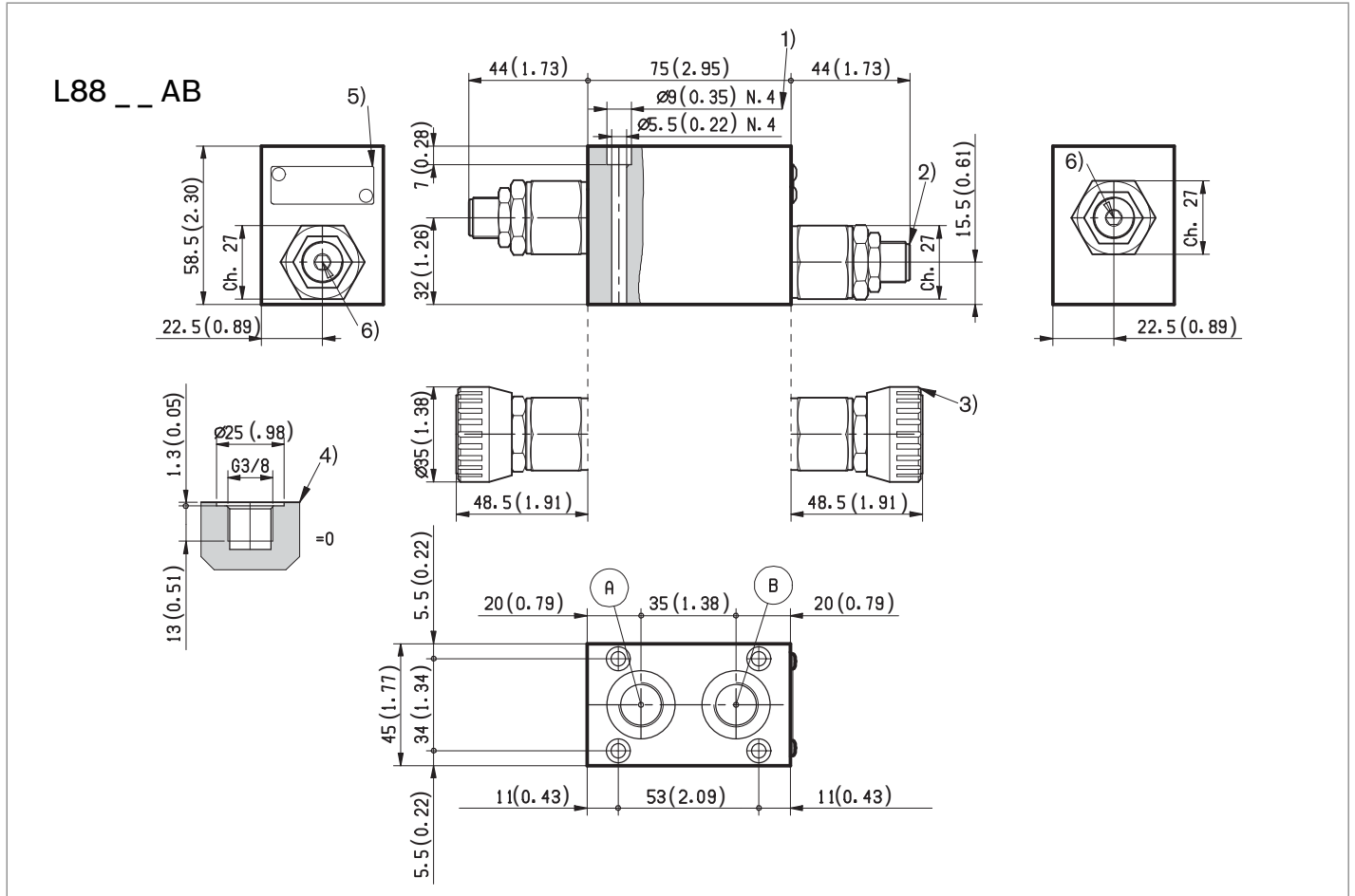
Pressure range and lowest adjustable level



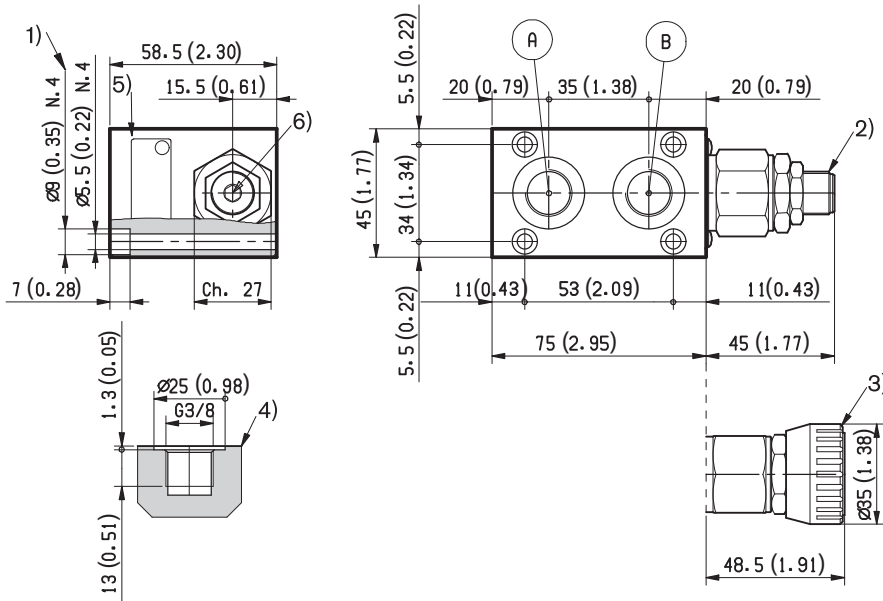
| Pressure range | Curve no. |
|--------------------------------|-----------|
| N (25-120 bar) (360-1740 psi) | 1 |
| B (40-200 bar) (580-2900 psi) | 2 |
| V (150-350 bar) (2175-5075psi) | 3 |

Measured with hydraulic fluid ISO-VG32 at $45^{\circ} \pm 5^{\circ} \text{C}$
 ($113^{\circ} \pm 9^{\circ} \text{F}$); ambient temperature 20°C (68°F).

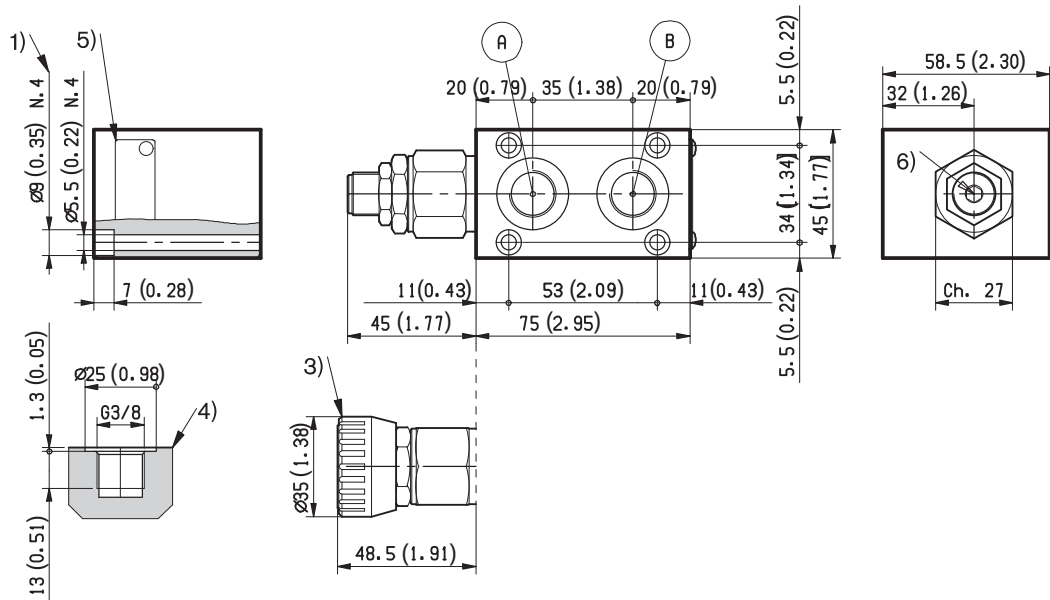
External dimensions and fittings



L88 __ 0A



L88 __ 0B



- 1 Four through holes $\varnothing 5.5$ mm (0.217 inch) for screws and tightening torques see data sheet RE 18301-90.
- 2 Pressure relief cartridge with adjuster screw.
- 3 Pressure relief cartridge with hand-knob type VMD1040 refer to RE 18301-91

- 4 A and B ports.
- 5 Identification label.
- 6 Hex 5 mm (0.2 inch) for setting pressure relief valves.

Bosch Rexroth Oil Control S.p.A.

Oleodinamica LC Division
Via Artigianale Sedrio, 12
42030 Vezzano sul Crostolo
Reggio Emilia - Italy
Tel. +39 0522 601 801
Fax +39 0522 606 226 / 601 802
compact-hydraulics-cdv@boschrexroth.com
www.boschrexroth.com/compacthydraulics

© This document, as well as the data, specifications and other information set forth in it, are the exclusive property of Bosch Rexroth Oil Control S.p.a.. It may not be reproduced or given to third parties without its consent. The data specified above only serve to describe the product. No statements concerning a certain condition or suitability for a certain application can be derived from our information. The information given does not release the user from the obligation of own judgment and verification. It must be remembered that our products are subject to a natural process of wear and aging.
Subject to change.