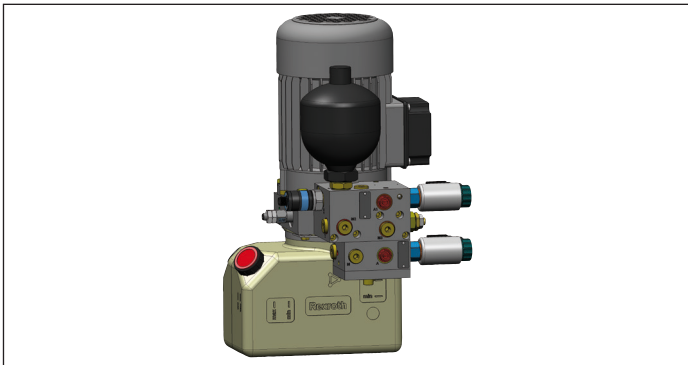


Compact power modules CPM-MT

RE 18306-04

Edition: 07.17

Replaces: 07.14



Contents

Ordering details	2
General technical data	4
A.C. Electric Motor Compact Mounting Style	6
Central Manifold MT	8
Gear Pumps	9
Oil Tanks	10
Mounting position	14
Mounting Brackets	15
Modular Stackable Elements	16
Coils	28
Connectors	29
Accessories	30

Ordering details

01	02	03	04	05	06	07	08	09	10	11
MT	-	-	-	-	/ ()	-	-	-	-	-

Family

01	Power module type	MT
----	-------------------	----

Power module type of motor

02	Without motor	0
	With 3ph motor	2

A.C. Electric motor

03	Selection of electric motors (see page 6)	
----	---	--

Junction Elements

04	Coupling (see page 7)	TMT
----	-----------------------	-----

Central Manifold with Pressure range Relief Valve + Request Setting of the Relief Valve in Bar

05	Select the required pressure range of the relief valve and put the required pressure setting in bar between bracket. (see page 8)	
----	---	--

Gears pump

06	Select the required pump (see page 9)	
----	---------------------------------------	--

Oil Tank

07	Select the required Oil Tank (see page 10 to 13)	
----	--	--

Mounting Position and Mounting Brackets

08	Select the required working position of the Power Module and Oil Filler cap in case of mounting position (see page 14). If needed select the Mounting Bracket (see page 15).	
----	---	--

Modular Stackable Elements

09	If needed select the additional Modular Stackable Elements ¹⁾ (see page 16 to 27)	
----	--	--

Coil Voltage and Connector

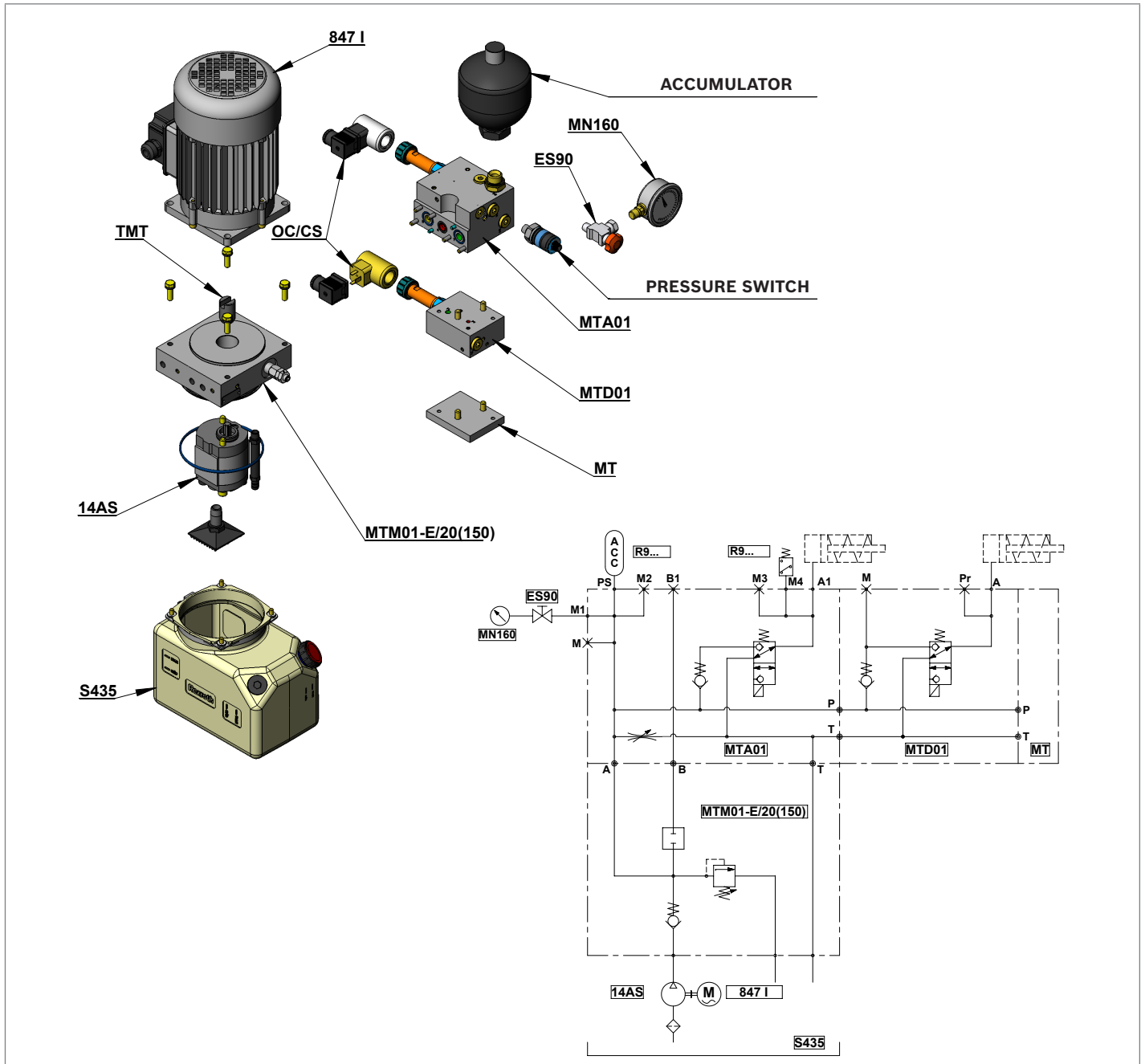
10	In case of selection of modular stackable elements with Solenoid Valve choice the required coil Voltage and the required Connector (see page 28 to 29)	
----	--	--

Accessories

11	If needed select the additional Accessories (see page 30 to 31)	
----	---	--

¹⁾ If using modular installation elements, the end plate MT (see page 27) must also be used.

Example of Ordering Details for Compact Power Modules CPM-MT



Ordering Details for Compact Power Modules with AC Motor

01	02	03	04	05	06	07	08	09	10	11
MT	2	- 847 I	- TMT	- MTM01-E/ 20(150)	- 14AS	- S435	- V1/M3	- MTA01/MTD01/ MT	- OC/CS	- ES90/ MN160/ R9.../R9...
Power module type	Power module type of motor	AC electric motor	Junction element	Central manifold with pressure range relief valve + request setting of the relief valve in bar between brackets	Gears pump	Oil tank	Mounting position and mounting brackets	Modular stackable elements Note: If using modular installation elements, the end plate MT (see page 27) must also be used.	Coil voltage and connector	Accessories

General technical data

With this catalogue Bosch Rexroth introduces the compact power module CPM-MT developed for use in industrial hydraulics applications. The CPM-MT is an assembly of electric motor, central manifold with valves, pump, oil tank and a few modular elements able to cover the most parts of the schemes needed for this kind of application. The CPM-MT power unit is characterized by low noise level and a very space-saving design due to the direct assembly of the motor and modular elements to the central manifold.

Hydraulic details

Max Flow rate Q	up to 20 l/min
Max Intermittent pressure p ₂	up to 250 bar
Max Peak pressure p ₃ (for max. 2 seconds)	up to 270 bar (with a reduced number of cycles depending of pump size)
AC Motors power range	0.55 - 2.2 kW
AC Motors protection class	IP54
Gear pumps displacement	1.25 - 7.4 cc
Tank volume	up to 20 L
Average duty cycle	S3 (intermittent operation) 60 % (except for the 2.2 kW)

Power module selection

Choose the circuit which meets your application requirements.

Take note of all dimensions resulting from the basic components chosen for your application.

NOTE: dimensions may vary slightly and should be confirmed by Bosch Rexroth if the assembly is to be installed in a space with narrow clearance.

The tank capacity and the tank dimensions need to be large enough to assure proper pump suction: there must always be a reserve of oil in the tank when the maximum amount of oil required is in the system. And overflow must be avoided when cylinders are fully retracted.

The tank must be evaluated also for best separation of air from oil, and for settling down oil contamination. It should be placed in a space with, at least, natural ventilation and it should permit enough heat dissipation to prevent high fluid temperature.

Select the electric motor by evaluating the power needed and the motor compliance with the heat developed during the expected run time (or „duty cycle“).

Hydraulic fluid for compact power module

The unit is designed for use with mineral oil-based hydraulic fluids. The required physical and chemical properties of the mineral oils are described in the following

standards:

- ▶ MINERAL OIL BASED HYDRAULIC FLUIDS HL (DIN 51524 part 1)
- ▶ MINERAL OIL BASED HYDRAULIC FLUIDS HL P (DIN 51524 part 2)

For use of environmentally friendly fluids please consult Bosch Rexroth.

Fluid viscosity, temperature range of the operating fluid, ambient temperature

The fluid viscosity should remain within the range 10 to 300 cSt (centistokes); recommended 15 to 120 cSt . Permissive cold start viscosity is maximum 2000 cSt . The fluid temperature should remain within the range -15 °C and 70 °C (5 °F and 158 °F).

Ambient temperature -15 °C +40 °C (5 °F and 104 °F).

Fluid cleanliness requirements and maintenance

We recommend a cleanliness of the operating fluid according to ISO 4406 Class 20/18/15 or cleaner.

All components of the hydraulic circuit, including hoses and actuators, must be flushed and cleaned before assembling, because the compact power module has a suction filter only or an optional return line filter.

The hydraulic fluid should be replaced after the first 50 hours, and then every 1000 hours, or, at least, once a year.

Power module installation

The mounting position is basically un-restricted; just avoid installations that could compromise the pump suction. It is recommended to support the power module on vibration dampening blocks when the mounting structure is expected to vibrate.

Do not assembly the CPM to moving part. Finish required on mounting surface 0.3 mm over 140 mm length.

Wiring and starting-up

The wiring between power source and electric motor should be selected in order to avoid excessive voltage drop. It is strictly forbidden to allow the backwards rotation of the pump even at the first starting: to prevent reverse rotation, the wiring polarities must be correctly connected. Caution: when energized, the surface temperature of the electric motor could reach temperature levels of 60 - 80 °C (140 - 176 °F): care should be taken to avoid any accidental contact of people with the motor surface.

A.C. motors

The tolerances on the nominal voltage are:

Three phase motor: 230 - 400V +/-10 %.

Protection degree : IP54 (protection against dust and water splash).

Insulation class: F (155 °C) (311 °F).

All motors are aluminum alloy die cast without painting.

Central manifolds

The Central Manifold is made of extruded aluminum alloy AL 7020 (AlZn4.5Mg UNI9007/1). The validation of the Central Manifold follows a life-test with 250 bar (625 psi) pulsed pressure repeated for 500.000 cycles.

External gear pumps

All the pumps are pressure compensated with cast iron covers to guarantee the best efficiency and durability. The splined shaft guarantees a big number of start and stop cycles without failure or wearing. The validation of the pumps follows a life-test at p2 (intermittent max pressure) pulsed pressure repeated for 500.000 cycles.

Oil tanks

In this catalogue you will find a wide selection of plastic tanks available as a standard product. Plastic tanks are obtained in one piece in order to avoid welded parts that are weak points at extreme temperature and vibrations. Plastic tanks are suitable for operating temperature range -15 °C / +70 °C (5 °F / 158 °F).

Note: even if the plastic tank mounting system is designed to avoid oil leakage the tank must be securely anchored when subject to shocks and heavy vibrations. Please check that the anchorages do not stress or deform the tank.

Steel tanks are available on request and with a minimum of quantity. Please contact our Sales Department.

Modular stackable elements

Our modular system offers a wide range of standardised elements.

All the Modular Elements are made of extruded aluminum alloy AL 7020 (AlZn4.5Mg UNI9007/1). In the catalogue you will find a selection of the main used models.

The validation of the Modular Elements follows a life-test with 250 bar (625 psi) pulsed pressure repeated for 500.000 cycles.

Note: To reduce the complexity of the system and optimize the available space, special Modular Elements can be designed and manufactured following the customers needs. In this case please contact our Sales Department.

European machine directive 2006/42/CE

According to the Machine Directive 2006/42/CE, a complete power module, as described in paragraph 15 and made available to the European market, enters into the definition of „partly completed machinery“.

Instead, the power module subassemblies (motor, pump, reservoir, central manifold,...), when not assembled into a complete power pack, are considered „components“ which can be employed in a „machinery“ or a „partly completed machinery“. In this case, the Bosch Rexroth components and subassemblies must be fitted in compliance with all the relevant technical data sheet applicable to the product, and shall not be operated, adjusted or disassembled before the complete machinery where they are incorporated has been declared to be in compliance with the Machine Directive 2006/42/CE.

Note

All the components shown in the catalogue ARE NOT suitable for use in potentially explosive atmosphere.

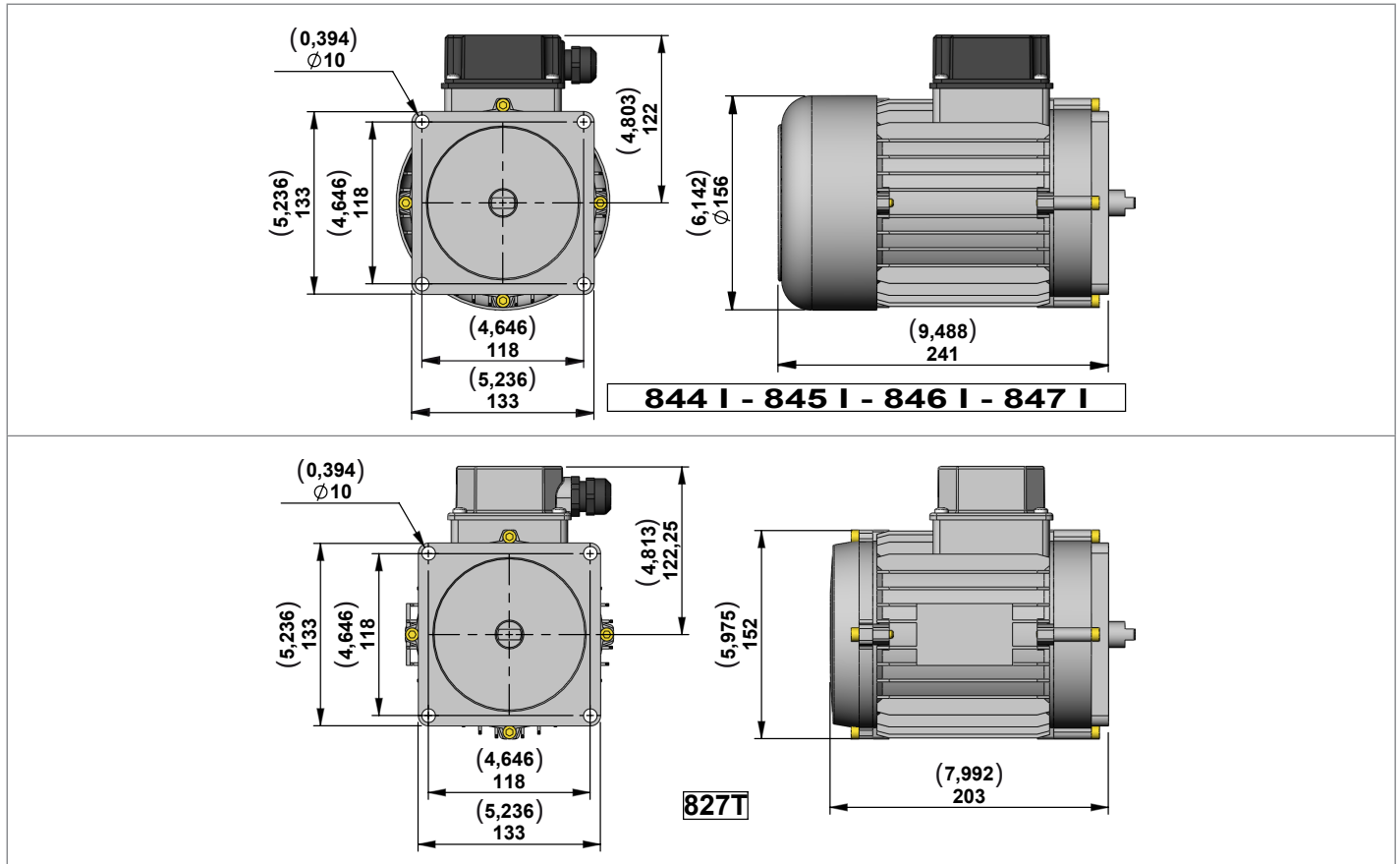
Technical information

Below you will find the most common equations used in hydraulics:

	Common Units	Symbols	Equations
Flow	l/min	Q	$Q = \frac{V \times n}{1000} \times 0,95$
Operating pressure	bar	p	$p = \frac{F}{0,1 \times A}$
Internal diameter hydraulic cylinder	mm	d	–
Area of hydraulic cylinder	mm ²	A	$A = \frac{\pi \times d^2}{4}$
Piston force	N	F	–
Drive shaft	rev/min	n	–
Power requirement for motor	kW	P	$P = \frac{P \times Q}{612}$
Pump displacement	cm ³ /rev	V	–
Torque requirement	Nm	M	$M = \frac{V \times d^2}{62,8 \times 0,87}$

A.C. Electric Motor Compact Mounting Style

These motors are designed to reduce the overall dimensions and the cost of the junction elements.



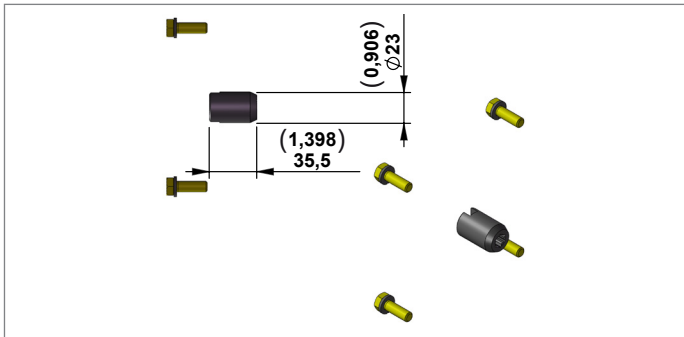
Three Phase Current Motors 230/400V 50Hz IP54 Size IEC 80

Code	Type	Material Number	Power (kW)	Power (hp)	Poles	Rpm at 50Hz	Duty Cycle	Thermal Switch
844 I	C1622S1457	R932010919	0,55	0,75	4	1450	S3 60 %	no
845 I	C1622S1456	R932010924	0,75	1,00	4	1450	S3 60 %	no
846 I	C1622S1453	R932010923	1,10	1,50	4	1450	S3 60 %	no
847 I	C1622S1370	R932000419	1,50	2,00	4	1450	S3 60 %	no
827 T	C1622S1409	R932011321	2,20	3,00	2	2900	S3 15 %	yes

The motors shown in these tables are a selection of our product range.
In case of needs of different technical characteristics
PLEASE CONTACT OUR SALES DEPARTEMENT.

NOTE

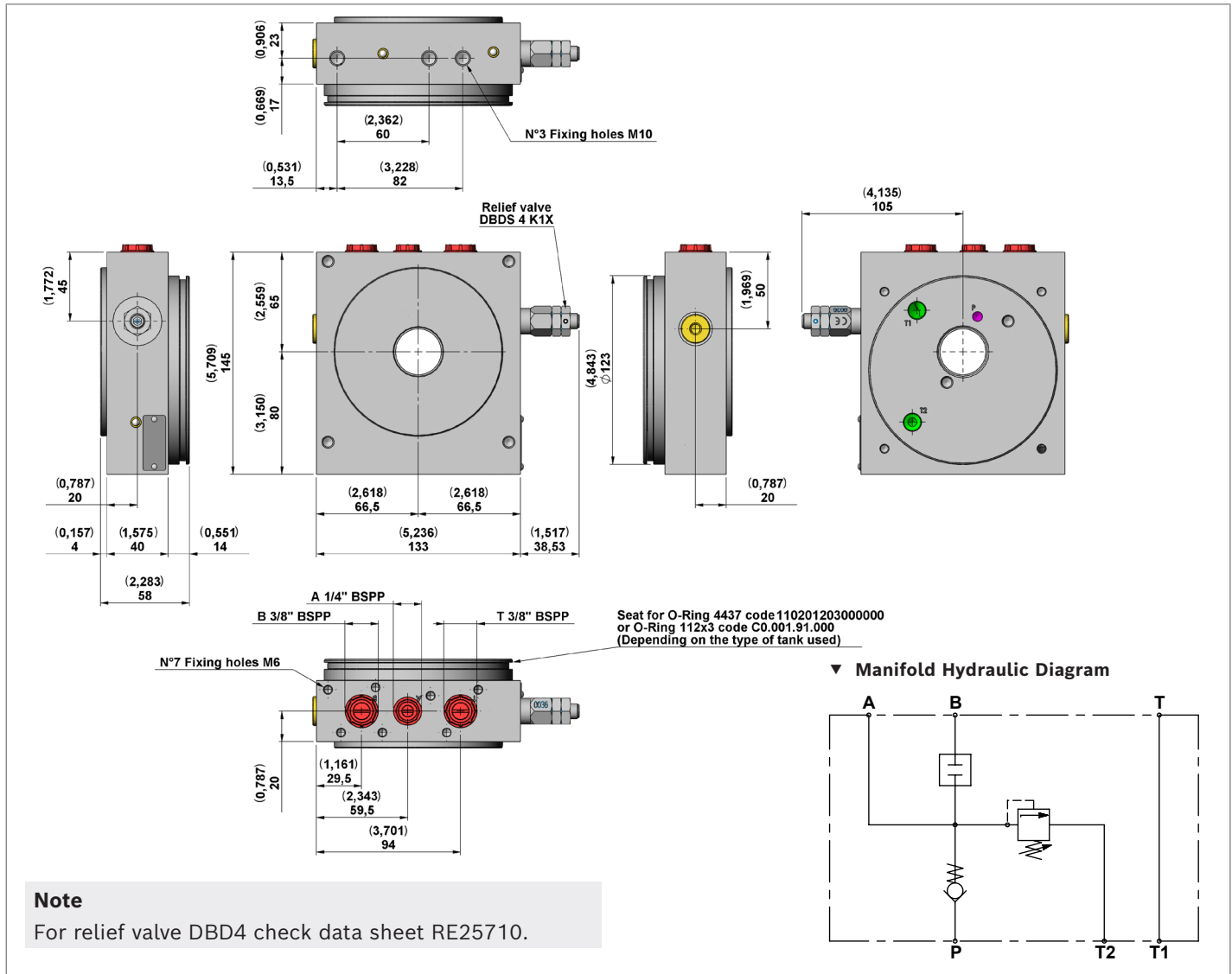
The electric motors shown in this pages are delivered by different certified suppliers.
This means the indicated dimensions could change a little, depending on which manufacturer will be assembled. On the CPM the choice of the manufacturer is based on our stock availability.

Junction Elements for A.C. Electric Motor Compact Mounting Style for Power Module Type MT**Junction Elements for manifolds MT**

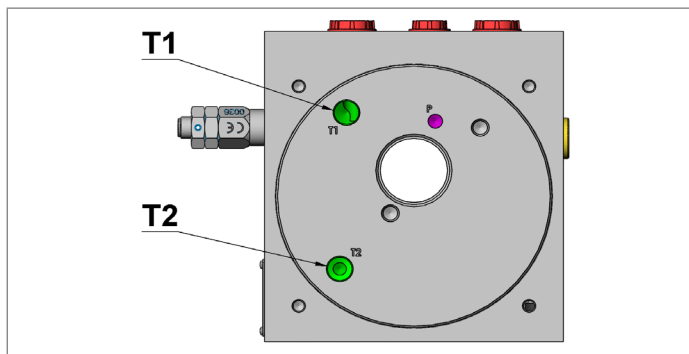
Code	Motor Codes	Size IEC	Type	Material Number
TMT	844 I - 845 I - 846 I - 847 I - 827 T	80	K01K3970TR114	R932011170

Central Manifold MT

MTM01 / MTM01-E



View Manifold Tank side

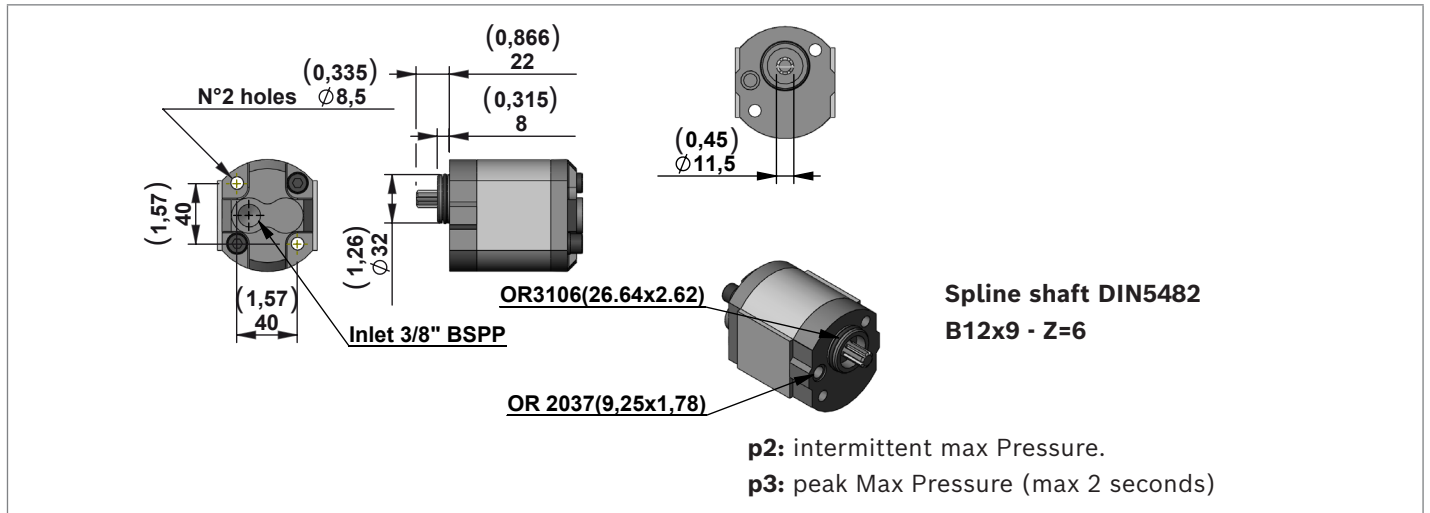


Manifold Code with Relief Valve Pressure Range	Pressure Range bar (psi)	Type	Material Number
MTM01/10	5-100 (72,5-1450)	K397301001	R932007800
MTM01/20	40-200 (580-2901)	K397301002	R932007801
MTM01/31	100-315 (1450-4568)	K397301003	R932007802
MTM01-E/ ¹⁾	5-315 (72,5-4568)	-	-

¹⁾ With TUEV type tested safety relief valve according to PED 97/23/EC, with not adjustable pressure setting value

Gear Pumps

Gear Pumps Group 1 with Splined Shaft



Code	Displacement cc/rev	Flow at 1400 rpm L/min (gpm)	p2 bar (psi)	p3 bar (psi)	Type	Material Number
11AS	1,25	1,8 (0,48)	250 (3626)	270 (3916)	K01CV640S1260	R932011185
12AS	1,60	2,4 (0,63)	250 (3626)	270 (3916)	K01CV640S1261	R932011186
13AS	2,00	3,0 (0,79)	250 (3626)	270 (3916)	K01CV640S1262	R932011187
14AS	2,50	3,7 (0,98)	250 (3626)	270 (3916)	K01CV640S1263	R932011188
15AS	3,15	4,7 (1,24)	250 (3626)	270 (3916)	K01CV640S1264	R932011189
16AS	3,65	5,5 (1,45)	250 (3626)	270 (3916)	K01CV640S1265	R932011190
17AS	4,20	6,3 (1,66)	230 (3336)	250 (3626)	K01CV640S1266	R932011191
18AS	5,00	7,5 (1,98)	210 (3046)	230 (3336)	K01CV640S1252	R932011192
19AS	5,70	8,5 (2,24)	210 (3046)	230 (3336)	K01CV640S1247	R932011193
20AS	7,40	11,1 (2,93)	180 (2611)	200 (2901)	K01CV640S1249	R932011194

Note

All pumps have anti-clockwise rotation.

Flow rate and Pressure

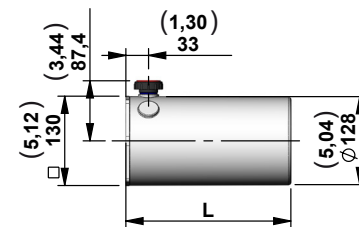
Flow Rate 50 Hz l/min (gpm)	N° poles	RPM	Pump cc/rpm	Motor three phase 230/400V				Flow Rate 50 Hz l/min (gpm)	N° poles	RPM	Pump cc/rpm	Motor three phase 230/400V	
				0,55 kW bar (psi)	0,75 kW bar (psi)	1,1 kW bar (psi)	1,5 kW bar (psi)					2 kW bar (psi)	
1,7 (0,45)	4	1400	1,25	198 (2872)	250(3626)	250(3626)	250(3626)	3,5 (0,92)	2	2800	1,25	250 (3626)	
2,2 (0,58)	4	1400	1,60	153 (2219)	208(3017)	250(3626)	250(3626)	4,4 (1,16)	2	2800	1,60	250 (3626)	
2,8 (0,74)	4	1400	2,00	120 (1740)	163(2364)	240(3481)	250(3626)	5,6 (1,48)	2	2800	2,00	218 (3162)	
3,5 (0,92)	4	1400	2,50	96 (1392)	131(1900)	192(2785)	250(3626)	7,0 (1,85)	2	2800	2,50	174 (2524)	
4,4 (1,16)	4	1400	3,15	76 (1102)	104(1508)	153(2219)	208(3017)	8,8 (2,32)	2	2800	3,15	139 (2016)	
5,1 (1,35)	4	1400	3,65	66 (957)	90 (1305)	132(1914)	180(2611)	10,2 (2,69)	2	2800	3,65	120 (1740)	
5,8 (1,53)	4	1400	4,20	58 (841)	79 (1146)	116(1682)	158(2291)	11,7 (3,09)	2	2800	4,20	104 (1508)	
7,0 (1,85)	4	1400	5,00	48 (696)	65 (957)	96 (1392)	131(1900)	14,0 (3,70)	2	2800	5,00	87 (1262)	
7,9 (2,01)	4	1400	5,70	42 (609)	58 (841)	85 (1233)	116(1682)	15,9 (4,20)	2	2800	5,70	76 (1102)	
10,3 (2,72)	4	1400	7,40	-	44 (638)	65 (943)	89 (1291)	20,7 (5,47)	2	2800	7,40	59 (856)	

Oil Tanks

Technical Data for Plastic Tanks

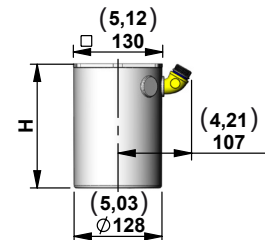
Temperature range	°C (°F)	-15....+70 (5....158)
Materials	PE=Polyethylene - PP=Polypropilene	
Seal	For tanks codes S335-S336-S337-S338-S339-S340-S341-S342 is necessary to use the O-RING Ø112x3, R-Number: R932000190. For all the other tanks except the codes above is necessary to use the O-RING 4437 (Ø110,7x3,53), R-Number:R932000188	

Code	Tank capacity l (USgal)	Useable capacity l (USgal)	L mm (inch)	Material	Type	Material Number
S335	1,0 (0,26)	0,7 (0,18)	140 (5,51)	PP	K01K3976SE372	R932002035
S336	1,8 (0,48)	1,2 (0,32)	180 (7,09)		K01K3976SE373	R932002036
S337	2,5 (0,66)	1,7 (0,45)	240 (9,45)		K01K3976SE374	R932002037
S338	3,0 (0,79)	2,3 (0,61)	285 (11,22)		K01K3976SE375	R932002038



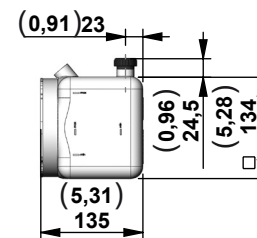
For this tanks is necessary to use the O-RING Ø112x3 code: C000191000 R-Number: R932000190

S339	1,0 (0,26)	0,6 (0,16)	140 (5,51)	PP	K01K3976SE376	R932007882
S340	1,8 (0,48)	1,1 (0,29)	180 (7,09)		K01K3976SE377	R932007883
S341	2,5 (0,66)	1,7 (0,45)	240 (9,45)		K01K3976SE378	R932007884
S342	3,0 (0,79)	2,3 (0,61)	285 (11,22)		K01K3976SE379	R932007885

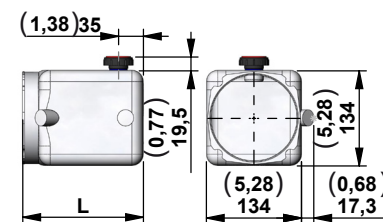


For this tanks is necessary to use the O-RING Ø112x3 code: C000191000 R-Number: R932000190

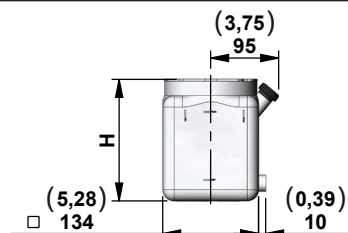
S246	1,0 (0,26)	0,9 (0,24)		PE	K01K3976SE270	R932002016
-------------	---------------	---------------	--	----	---------------	------------



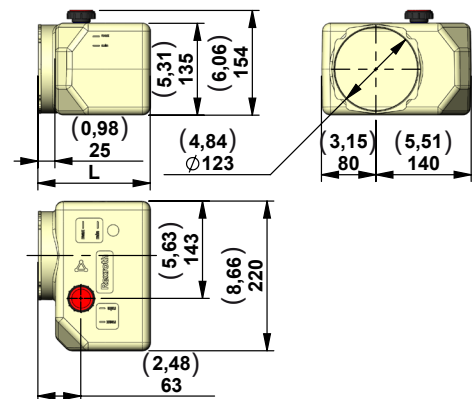
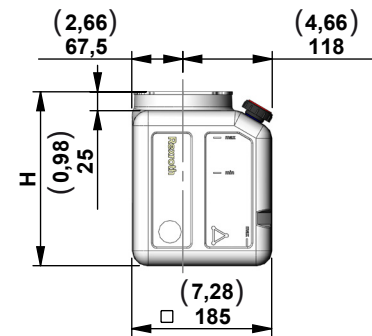
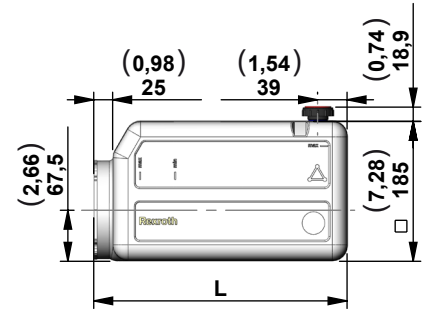
S247	1,8 (0,48)	1,6 (0,42)	170 (6,71)	PE	K01K3976SE271	R932002017
S248	2,5 (0,66)	2,2 (0,58)	240 (9,45)		K01K3976SE272	R932002018



S249	1,0 (0,26)	0,9 (0,24)	135 (5,31)	PE	K01K3976SE273	R932002019
S250	1,8 (0,48)	1,6 (0,42)	170 (6,71)		K01K3976SE274	R932002020
S251	2,5 (0,66)	2,2 (0,58)	240 (9,45)		K01K3976SE275	R932002021

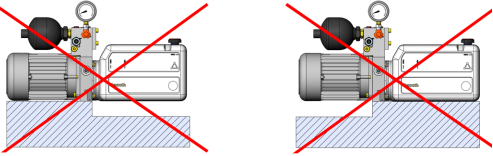
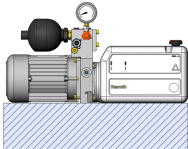


Code	Tank capacity l (USgal)	Useable capacity l (USgal)	L mm (inch)	Material	Type	Material Number
S343	5,0 (1,32)	3,8 (1,00)	230 (9,05)	PE		K01K3976SE380 R932002039
S331	5,0 (1,32)	3,8 (1,00)	230 (9,05)	PE Black		K01K3976SE368 R932007872
S413	7,0 (1,85)	5,5 (1,45)	310 (12,20)	PE		K01K3976SE439 R932007873
S414	7,0 (1,85)	5,5 (1,45)	310 (12,20)	PE Black		K01K3976SE440 R932007874
S415	8,0 (2,11)	6,5 (1,72)	335 (13,19)	PE		K01K3976SE441 R932006036
S416	8,0 (2,11)	6,5 (1,72)	335 (13,19)	PE Black		K01K3976SE442 R932007875
S316	9,0 (2,38)	7,3 (1,93)	365 (14,37)	PE		K01K3976SE351 R932002031
S314	9,0 (2,38)	7,3 (1,93)	365 (14,37)	PE Black		K01K3976SE451 R932007876
S417	12,0 (3,17)	10,0 (2,64)	495 (19,50)	PE		K01K3976SE443 R932006768
S418	12,0 (3,17)	10,0 (2,64)	495 (19,50)	PE Black		K01K3976SE444 R932007877
S344	5,0 (1,32)	3,5 (0,92)	230 (9,05)	PE		K01K3976SE381 R932002040
S332	5,0 (1,32)	3,5 (0,92)	230 (9,05)	PE Black		K01K3976SE369 R932008240
S419	7,0 (1,85)	5,5 (1,45)	310 (12,20)	PE		K01K3976SE445 R932007879
S420	7,0 (1,85)	5,5 (1,45)	310 (12,20)	PE Black		K01K3976SE446 R932007880
S421	8,0 (2,11)	6,5 (1,72)	335 (13,19)	PE		K01K3976SE447 R932006037
S422	8,0 (2,11)	6,5 (1,72)	335 (13,19)	PE Black		K01K3976SE448 R932007881
S315	9,0 (2,38)	7,3 (1,93)	365 (14,37)	PE		K01K3976SE350 R932002030
S313	9,0 (2,38)	7,3 (1,93)	365 (14,37)	PE Black		K01K3976SE348 R932002029
S423	12,0 (3,17)	10,0 (2,64)	495 (19,50)	PE		K01K3976SE349 R932006038
S424	12,0 (3,17)	10,0 (2,64)	495 (19,50)	PE Black		K01K3976SE450 R932006278
S395	3,0 (0,79)	1,7 (0,45)	140 (5,51)	PE		K01K3976SE470 R932007903
S396	3,7 (0,98)	2,2 (0,58)	165 (6,50)			K01K3976SE471 R932007904
S392	5,0 (1,32)	3,1 (0,82)	215 (8,46)			K01K3976SE464 R932007365
S394	8,4 (2,22)	5,5 (1,45)	340 (13,39)			K01K3976SE466 R932007435
S397	12,7 (3,35)	8,4 (2,2)	500 (19,68)			K01K3976SE472 R932007905

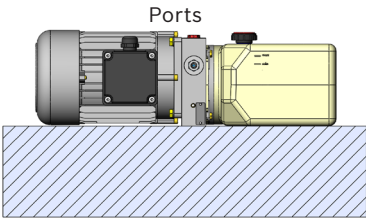
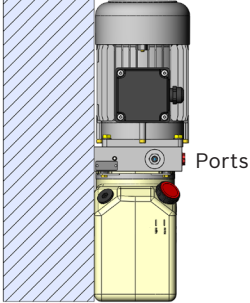
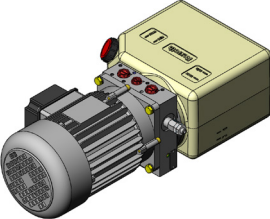
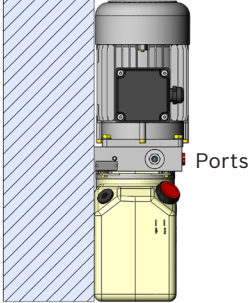
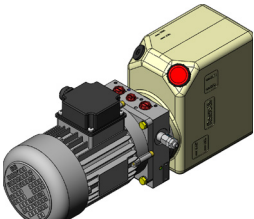
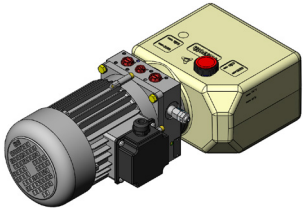
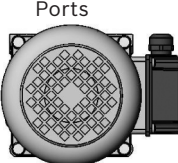
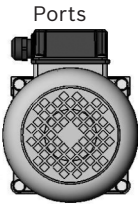
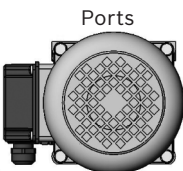
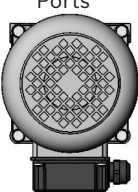
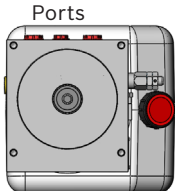
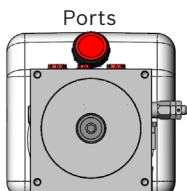
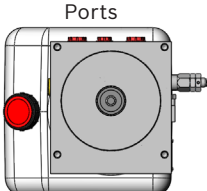
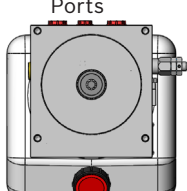


Code	Tank capacity l (USgal)	Useable capacity l (USgal)	L mm (inch)	Material	Type	Material Number	
S395	3,0 (0,79)	1,7 (0,45)	140 (5,51)	PE	K01K3976SE470	R932007903	
S396	3,7 (0,98)	2,2 (0,58)	165 (6,50)		K01K3976SE471	R932007904	
S392	5,0 (1,32)	3,1 (0,82)	215 (8,46)		K01K3976SE464	R932007365	
S394	8,4 (2,22)	5,5 (1,45)	340 (13,39)		K01K3976SE466	R932007435	
S397	12,7 (3,35)	8,4 (2,2)	500 (19,68)		K01K3976SE472	R932007905	
S434	3,0 (0,79)	1,7 (0,45)	140 (5,51)	PE	K01K3976SE478	R932007910	
S435	3,7 (0,98)	2,2 (0,58)	165 (6,50)		K01K3976SE479	R932007911	
S436	5,0 (1,32)	3,1 (0,82)	215 (8,46)		K01K3976SE480	R932007912	
S437	8,4 (2,22)	5,5 (1,45)	340 (13,39)		K01K3976SE481	R932007913	
S438	12,7 (3,35)	8,4 (2,2)	500 (19,68)		K01K3976SE482	R932007914	
S374	5,0 (1,32)	4,0 (1,06)	219 (8,62)	PE	K01K3976SE415	R932002042	
S376	7,0 (1,85)	5,4 (1,43)	271 (10,67)		K01K3976SE417	R932002044	
S378	8,0 (2,11)	6,6 (1,74)	323 (12,72)		K01K3976SE419	R932002046	
S380	11,0 (2,91)	9,6 (2,54)	453 (17,83)		K01K3976SE421	R932002048	
S375	5,0 (1,32)	4,0 (1,06)	219 (8,62)	PE	K01K3976SE416	R932002043	
S377	7,0 (1,85)	5,4 (1,43)	271 (10,67)		K01K3976SE418	R932002045	
S379	8,0 (2,11)	6,6 (1,74)	323 (12,72)		K01K3976SE420	R932002047	
S381	11,0 (2,91)	9,6 (2,54)	453 (17,83)		K01K3976SE422	R932002049	

Assembly Kit for Plastic Tank - MT

Oil Tank	Code for MT	Material Number	Please make sure that the tank and motor are mounted correctly
S335 - S336 - S337 - S338 - S339 - S340 S341 - S342	K2501VT016	R932007391	
S246 - S247 - S248 - S249 - S250 - S251	K2501VT025	R932011181	
S413 - S414 - S419 - S420 - S415 - S416 - S421 - S422 - S332 - S344 - S313 - S315 - S343 - S331 - S316 - S314 - S374 - S375 - S376 - S377 - S378 - S379 - S380 - S381 - S417 - S418 - S423 - S424 - S395 - S396 - S392 - S394 - S397 - S434 - S435 - S436 - S437 - S438	K2501VT015	R932008244	

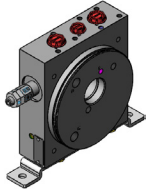
Mounting position

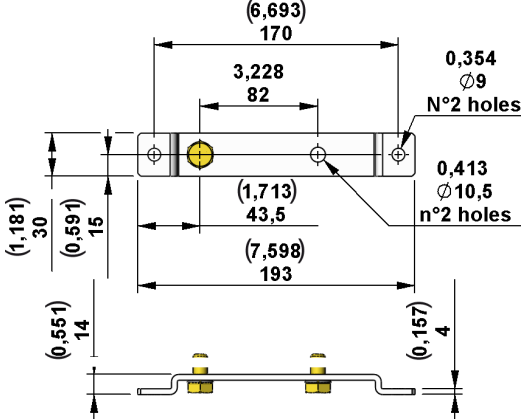
Mounting position		1	2
Code	Image		
01	1		
V1	2		
L	3		
T	4		
R	5		
Terminal Box Position for A.C. Motors		6-Standard	7
Code	Image		
-	6		
M2	7		
M3	8		
M4	9		
Oil Cap Position for V1 only		10	7
Code	Image		
-	10		
LU	11		
LO	12		
LP	13		

Mounting Brackets

Support for Manifold MT series

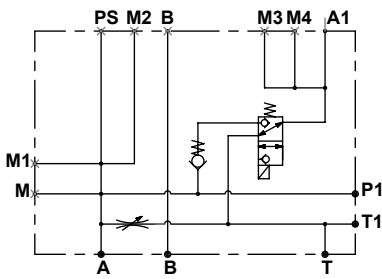
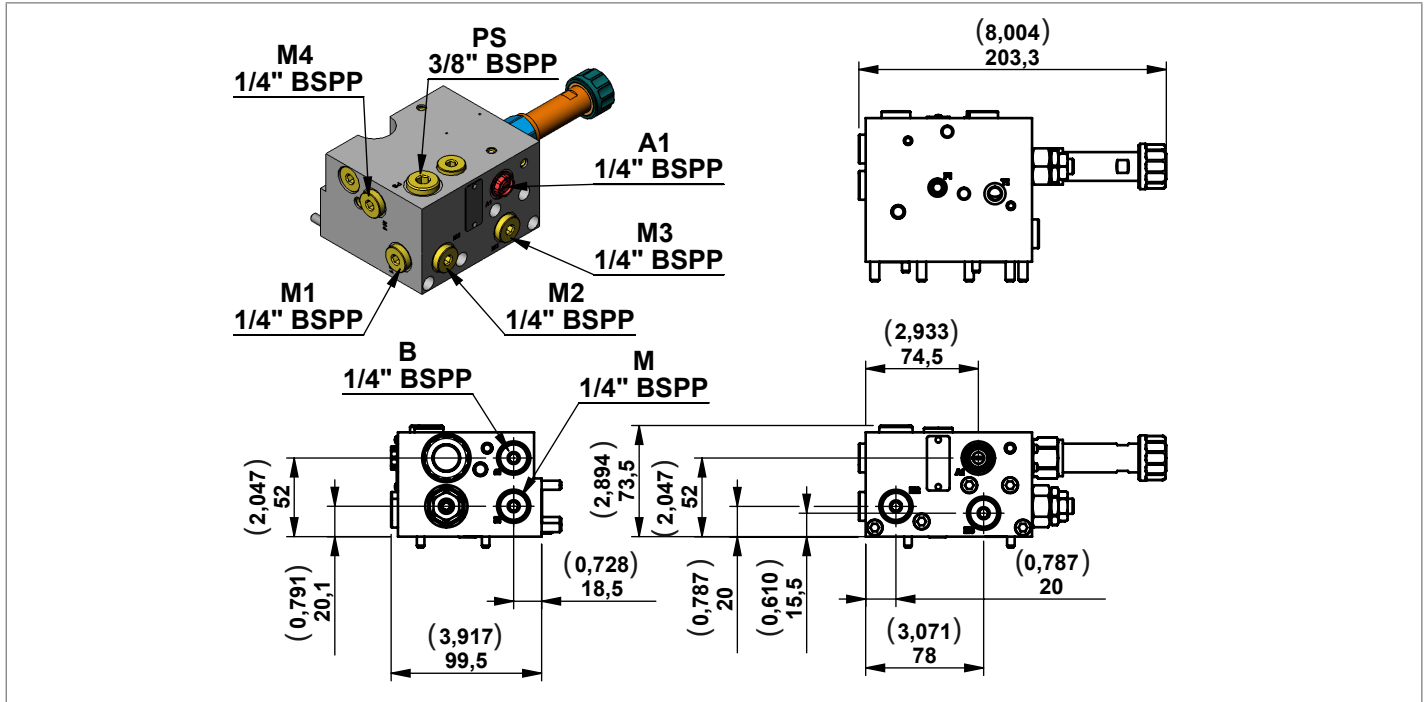
Code	Central manifold	Type	Material number
GMT	MT	K01K331528000	R932011175





Modular Stackable Elements

Modular Stackable Element MTA01

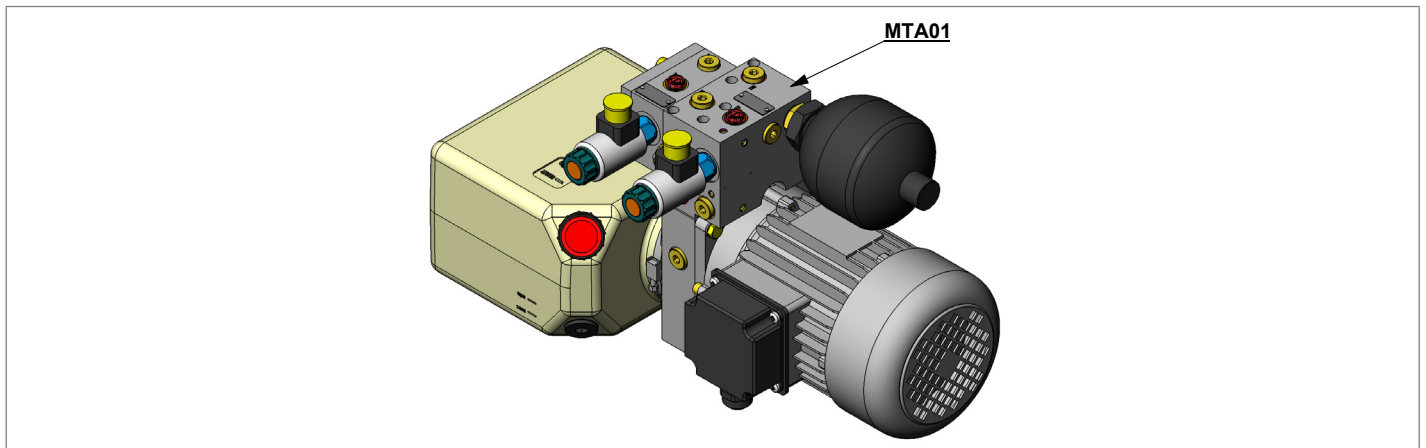


Note

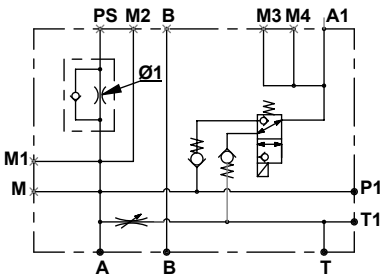
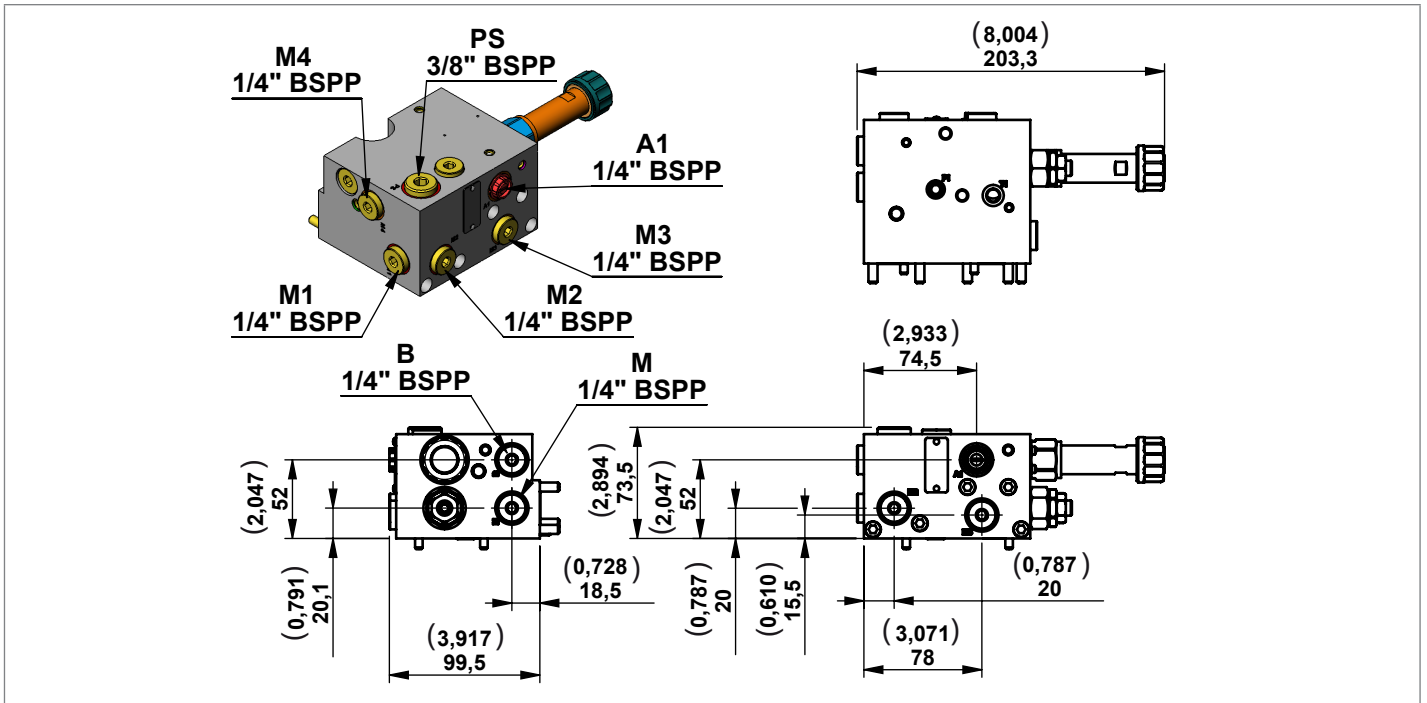
- ▶ Use coil model K4
- ▶ For 3/2 KSDE solenoid valve check data sheet RE18136.
- ▶ If using modular installation elements, the end plate MT (see page 27) must also be used.

Code	Description	Max working pressure bar (psi)	Max flow l/min (gpm)	Type	Material number
MTA01	Kit MTA01 Modular block	250 (3626)	12,0 (3,17)	0985900017	R932008163

Mounting Example



Modular Stackable Element MTA02

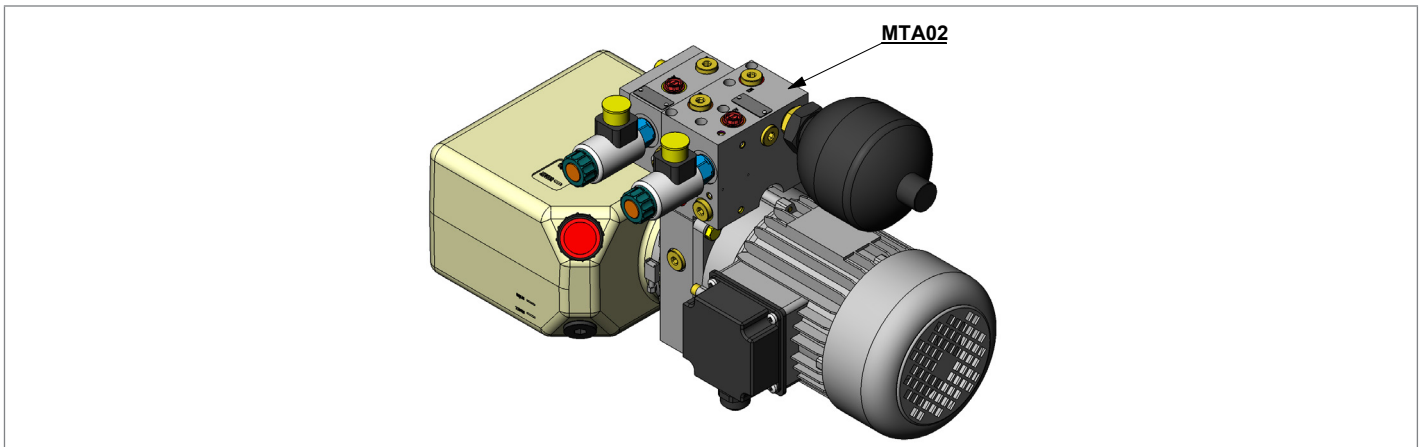


Note

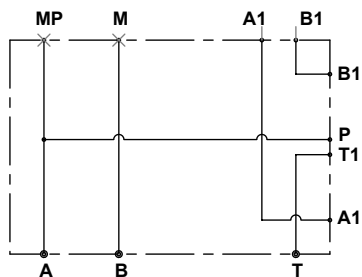
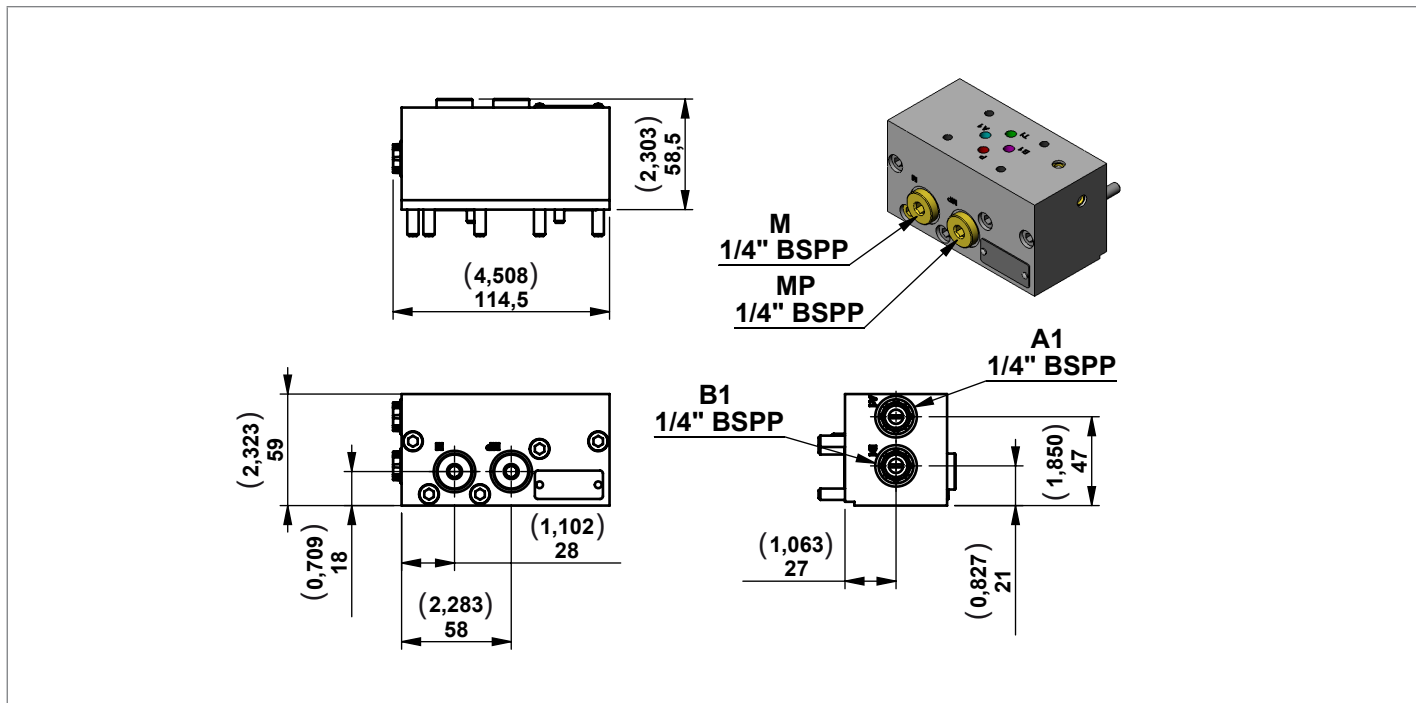
- ▶ Use coil model K4
- ▶ For 3/2 KSDE solenoid valve check data sheet RE18136.
- ▶ If using modular installation elements, the end plate MT (see page 27) must also be used.

Code	Description	Max working pressure bar (psi)	Max flow l/min (gpm)	Type	Material number
MTA02	Kit MTA02 Modular block	250 (3626)	12,0 (3,17)	0985900021	R932010931

Mounting Example

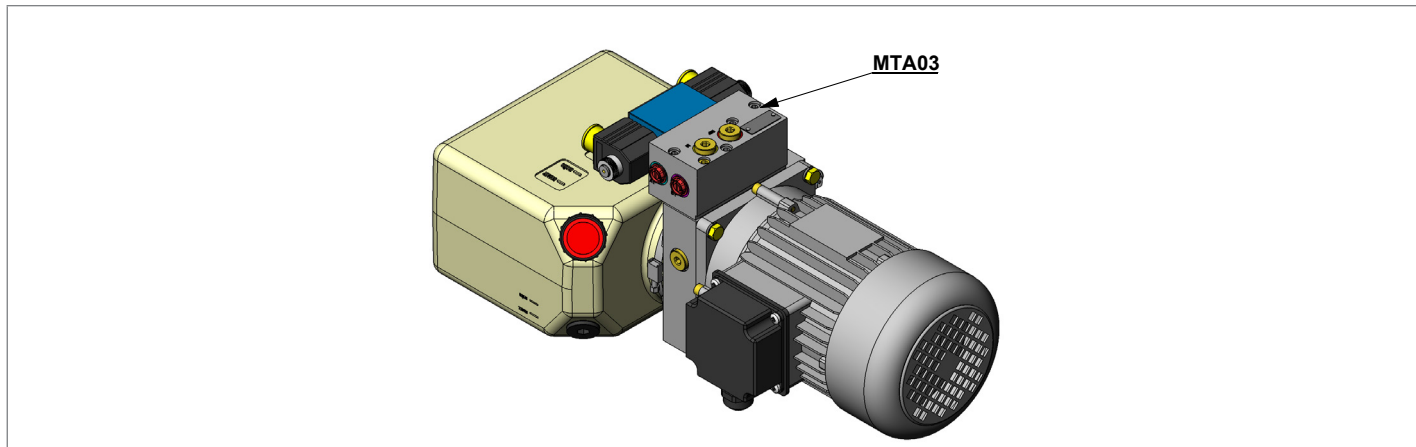


Modular Stackable Element MTA03

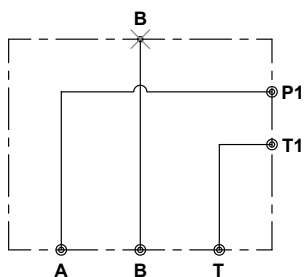
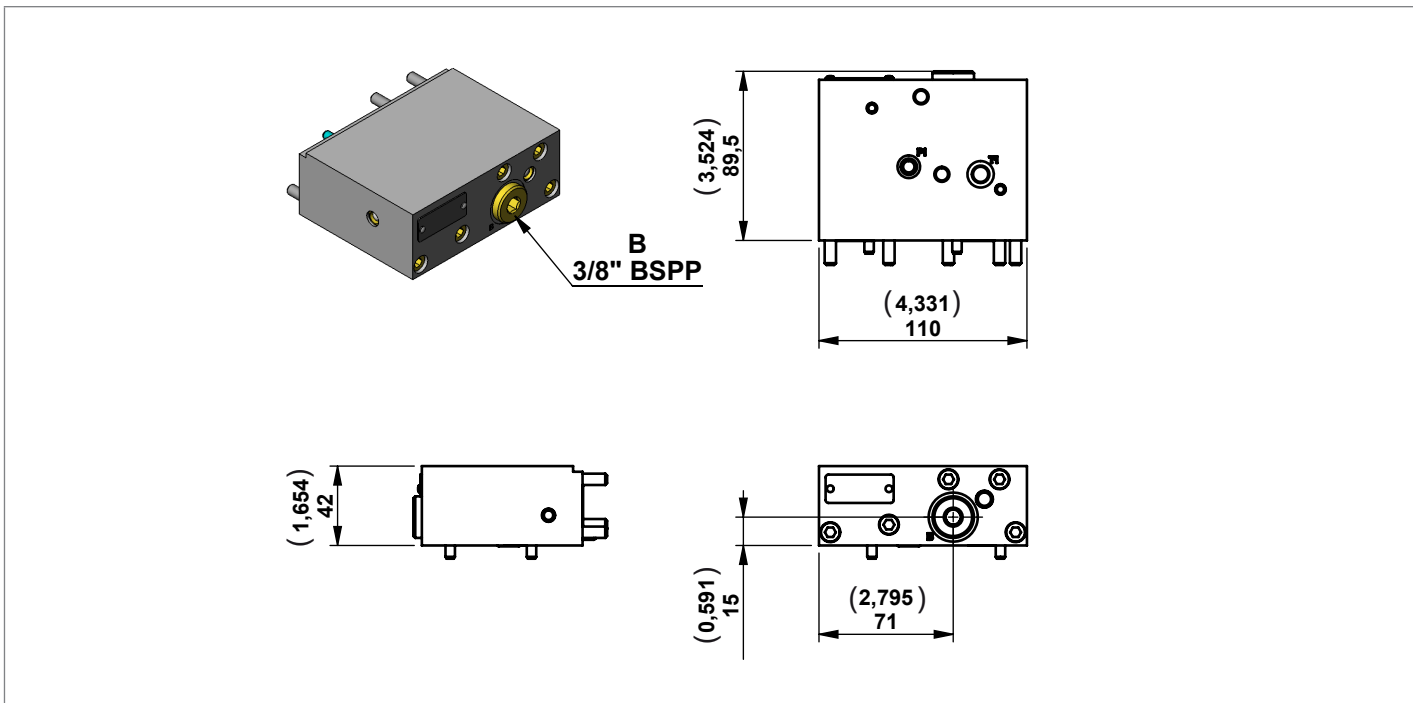


Code	Description	Max working pressure bar (psi)	Max flow l/min (gpm)	Type	Material number
MTA03	Kit MTA03 Modular block	250 (3626)	20,0 (5,28)	0985900011	R932007989

Mounting Example



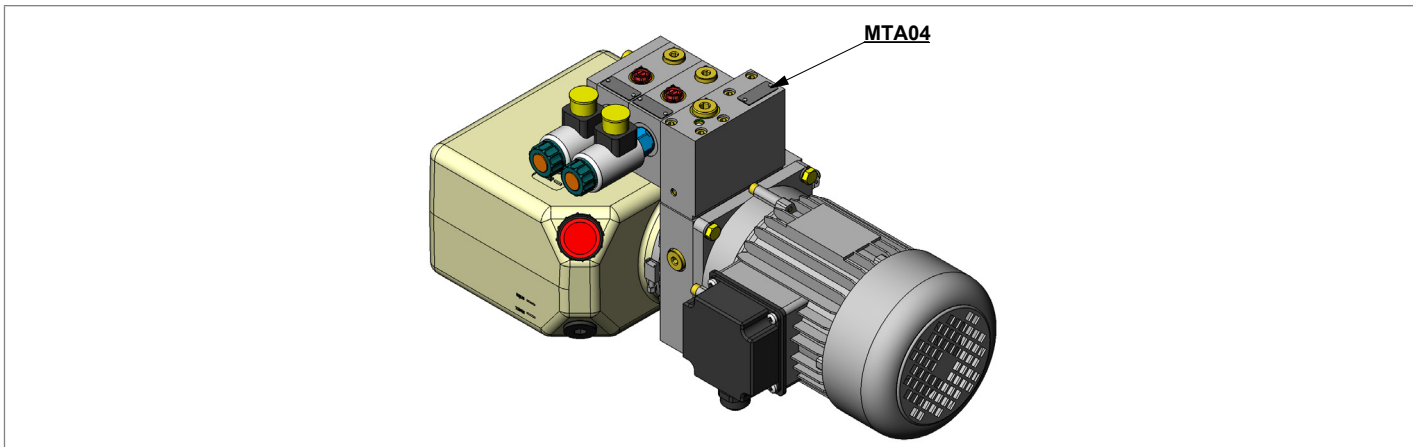
Modular Stackable Element MTA04



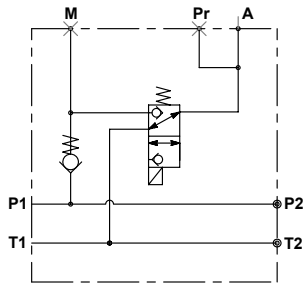
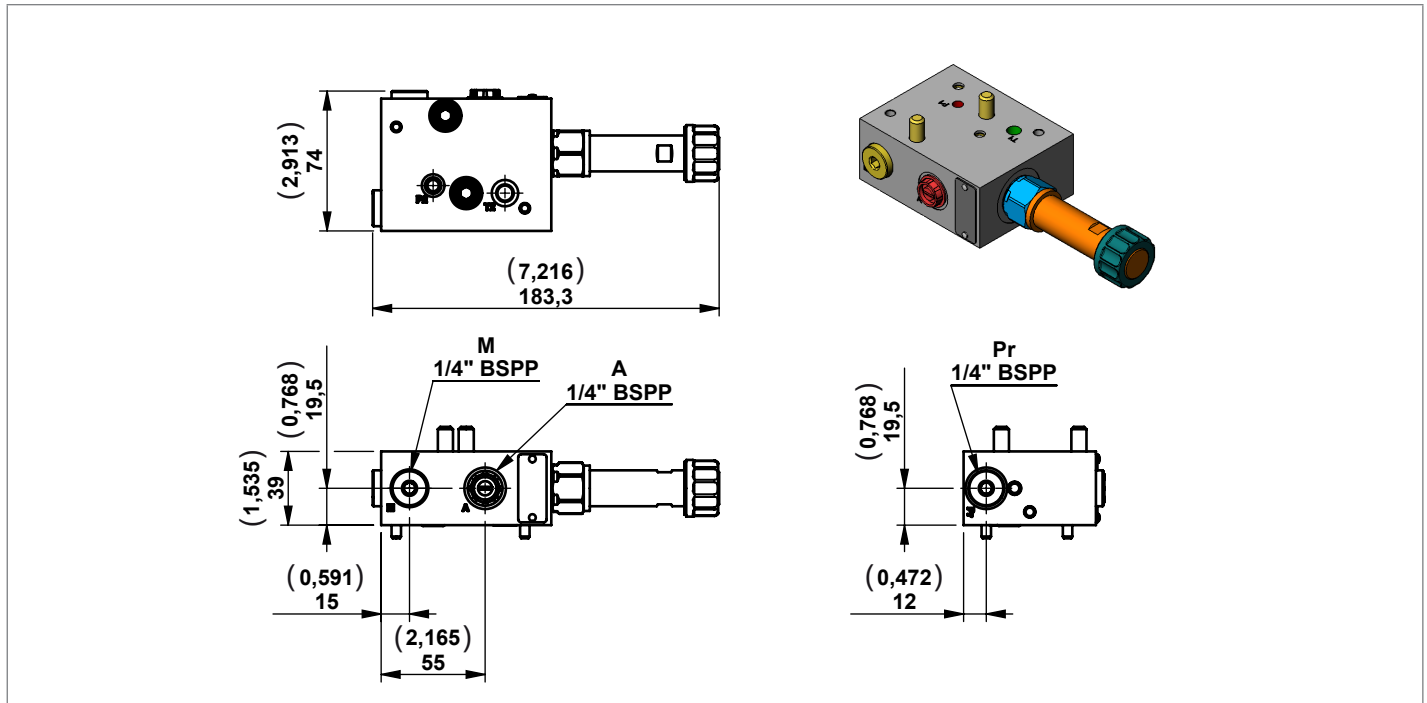
Note
▶ If using modular installation elements, the end plate MT (see page 27) must also be used.

Code	Description	Max working pressure bar (psi)	Max flow l/min (gpm)	Type	Material number
MTA04	Kit MTA04 Modular block	250 (3626)	20,0 (5,28)	0985900018	R932008172

Mounting Example



Modular Stackable Element MTD01

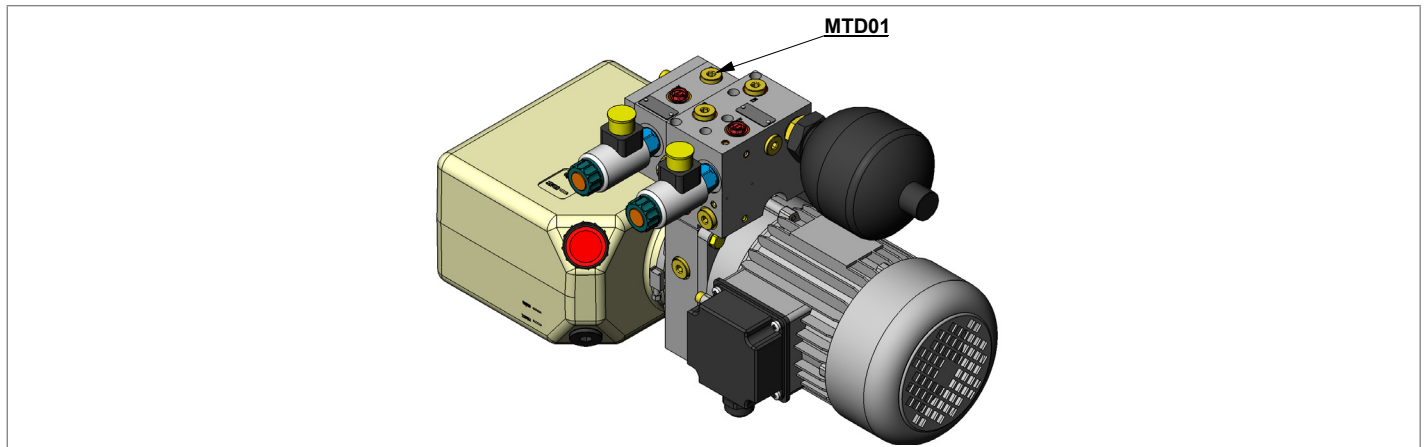


Note

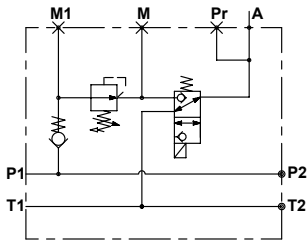
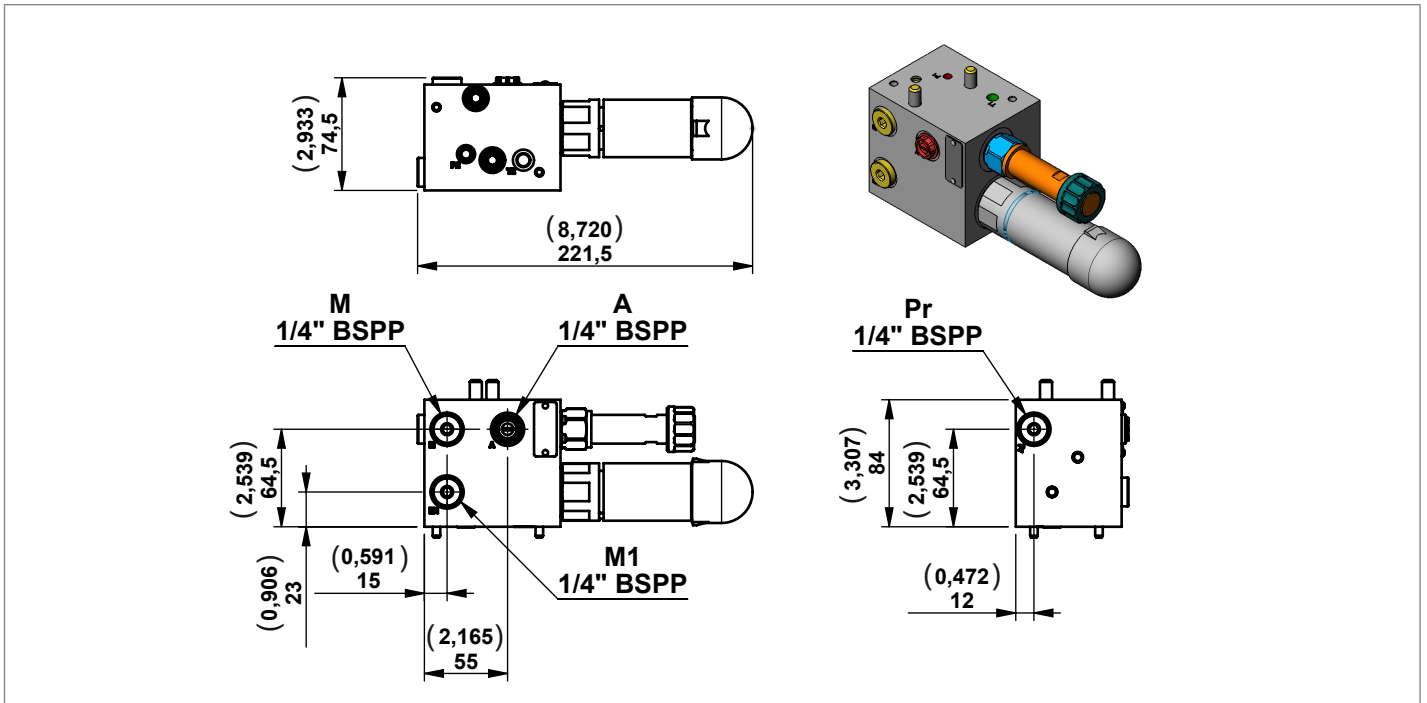
- ▶ Use coil model K4
- ▶ For 3/2 KSDE solenoid valve check data sheet RE18136.
- ▶ If using modular installation elements, the end plate MT (see page 27) must also be used.

Code	Description	Max working pressure bar (psi)	Max flow l/min (gpm)	Type	Material number
MTD01	Kit MTD01 Modular block	250 (3626)	12,0 (3,17)	0985900001	R932007956

Mounting Example



Modular Stackable Element MTD02

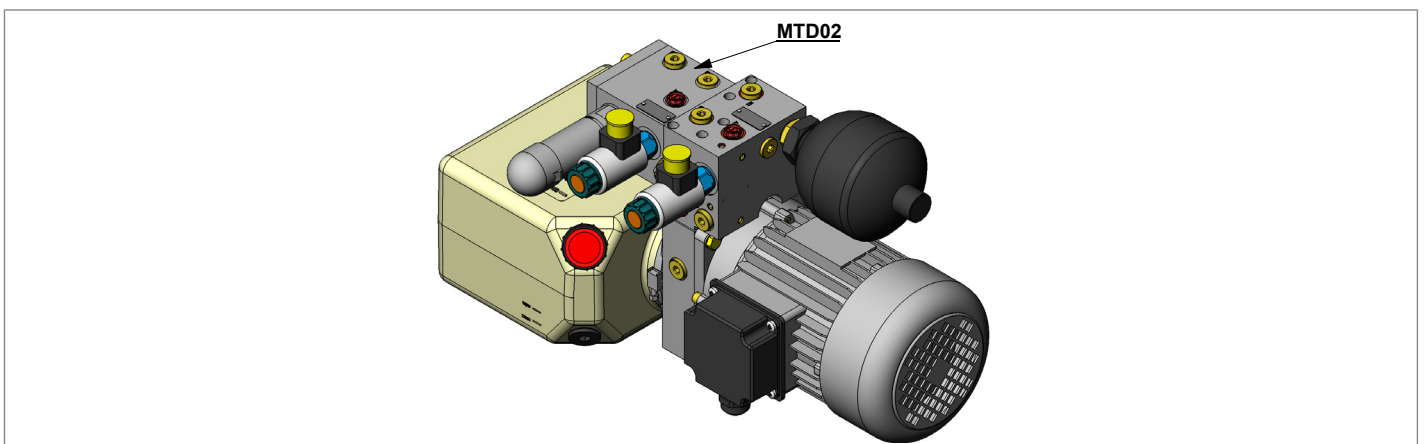


Note

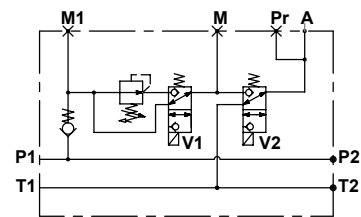
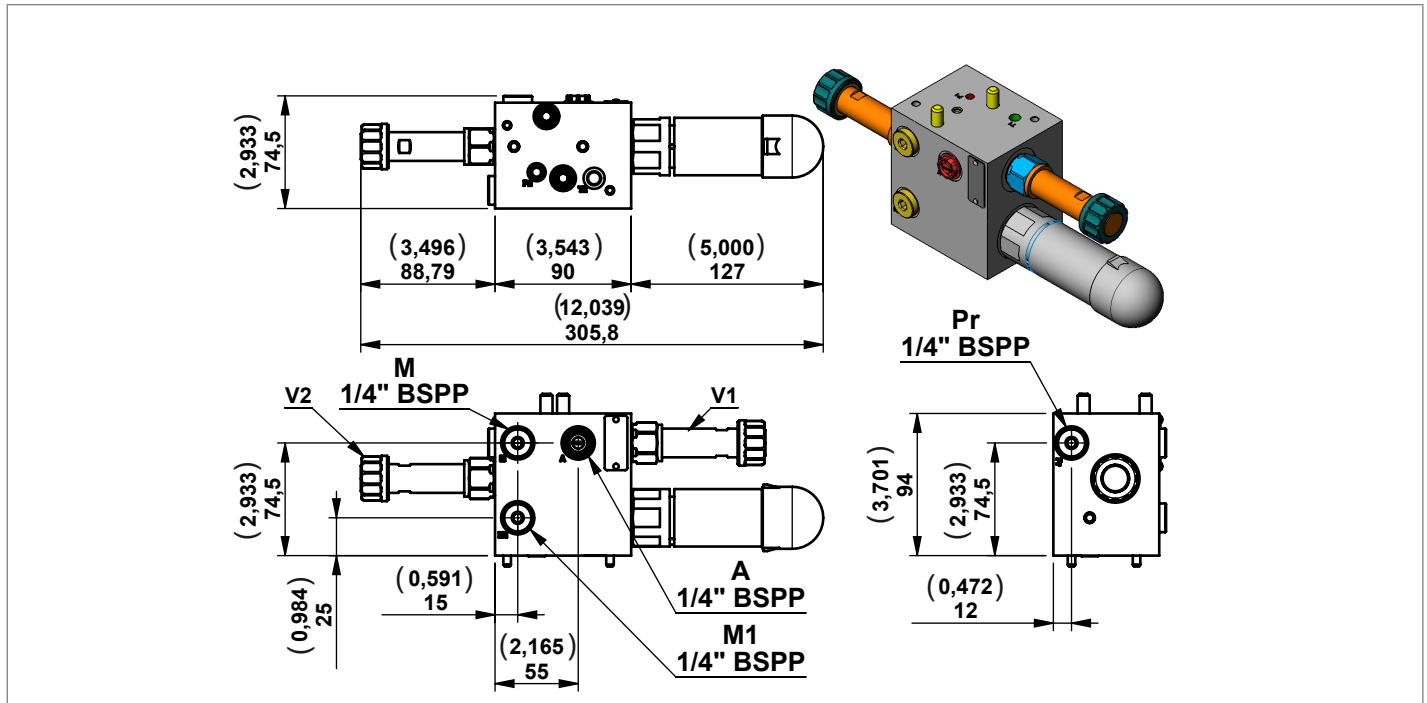
- ▶ Use coil model K4
- ▶ For 3/2 KSDE solenoid valve check data sheet RE18136.
- ▶ For KRD pressure reducing valve check data sheet RE18111.
- ▶ If using modular installation elements, the end plate MT (see page 27) must also be used.

Code	Description	Max Working Pressure bar (psi)	Max Flow l/min (gpm)	Pressure Stage	Type	Material Number
MTD02/1	Kit MTD02/1 Modular block with pressure reducing valve	250 (3626)	12,0 (3,17)	Pressure setting up to 100 bar (1450)	0985900002	R932007965
MTD02/2	Kit MTD02/2 Modular block with pressure reducing valve	250 (3626)	12,0 (3,17)	Pressure setting up to 210 bar (3046)	0985900003	R932007966

Mounting Example



Modular Stackable Element MTD03

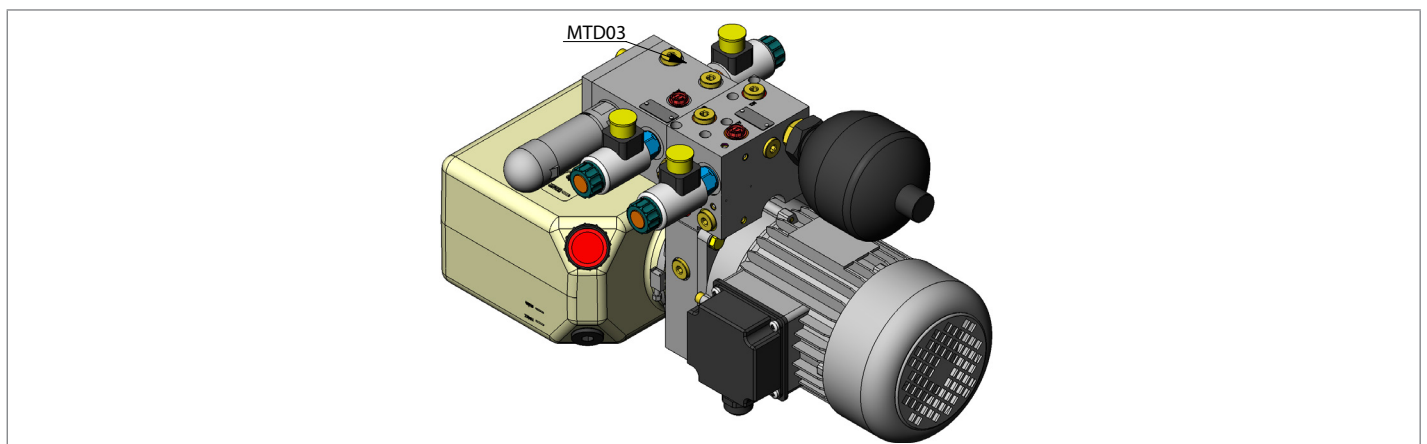


Note

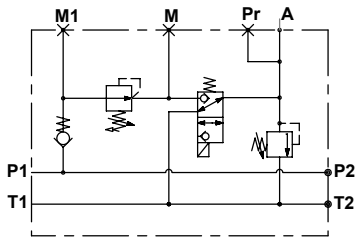
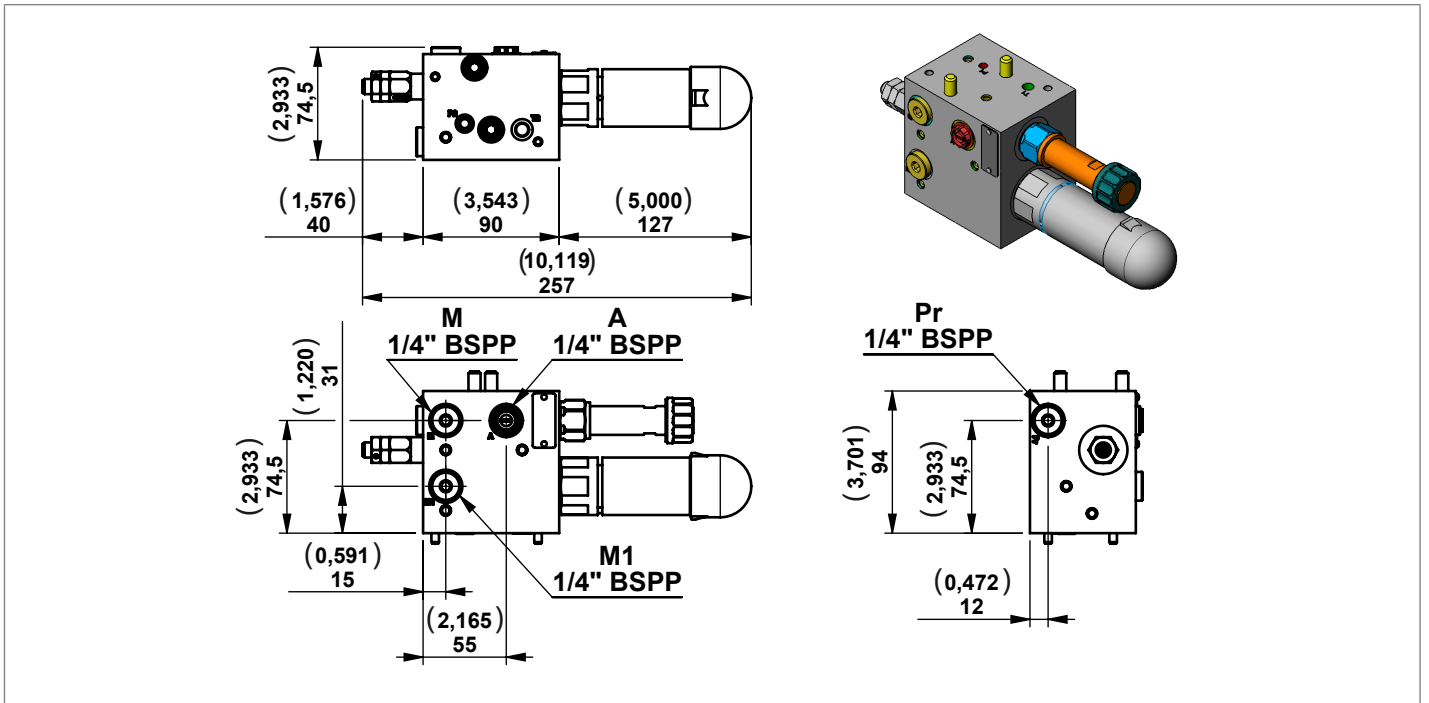
- ▶ Use coil model K4
- ▶ For 3/2 KSDE solenoid valve check data sheet RE18136.
- ▶ For KRD pressure reducing valve check data sheet RE18111.
- ▶ If using modular installation elements, the end plate MT (see page 27) must also be used.

Code	Description	Max Working Pressure bar (psi)	Max Flow l/min (gpm)	Pressure Stage	Type	Material Number
MTD03/1	Kit MTD03/1 Modular block with pressure reducing valve	250 (3626)	12,0 (3,17)	Pressure setting up to 100 bar (1450)	0985900005	R932007974
MTD03/2	Kit MTD03/2 Modular block with pressure reducing valve	250 (3626)	12,0 (3,17)	Pressure setting up to 210 bar (3046)	0985900006	R932007975

Mounting Example



Modular Stackable Element MTD04

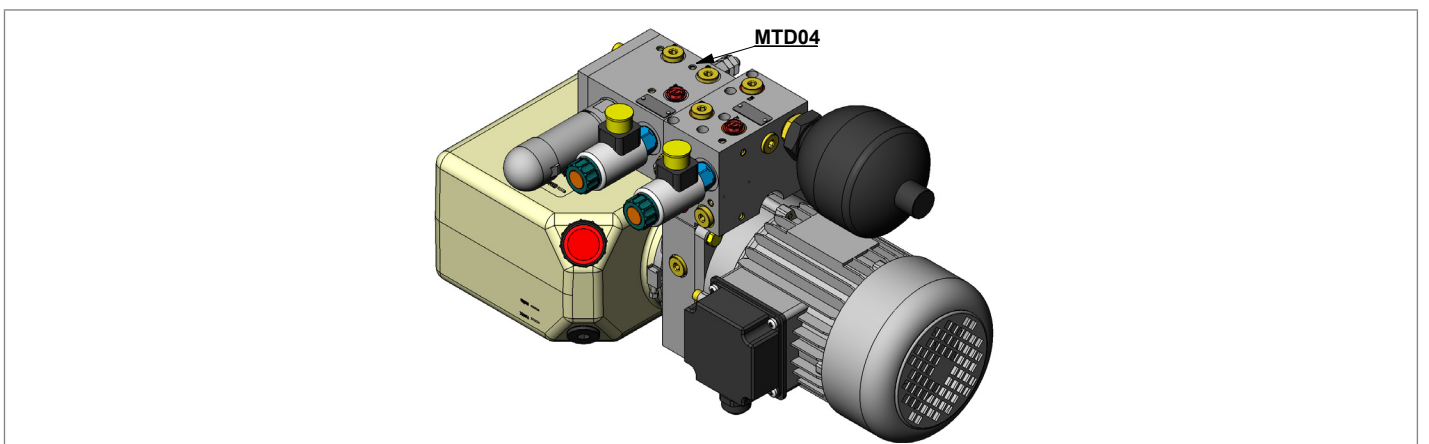


Note

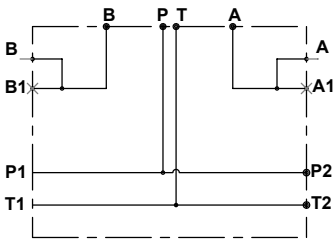
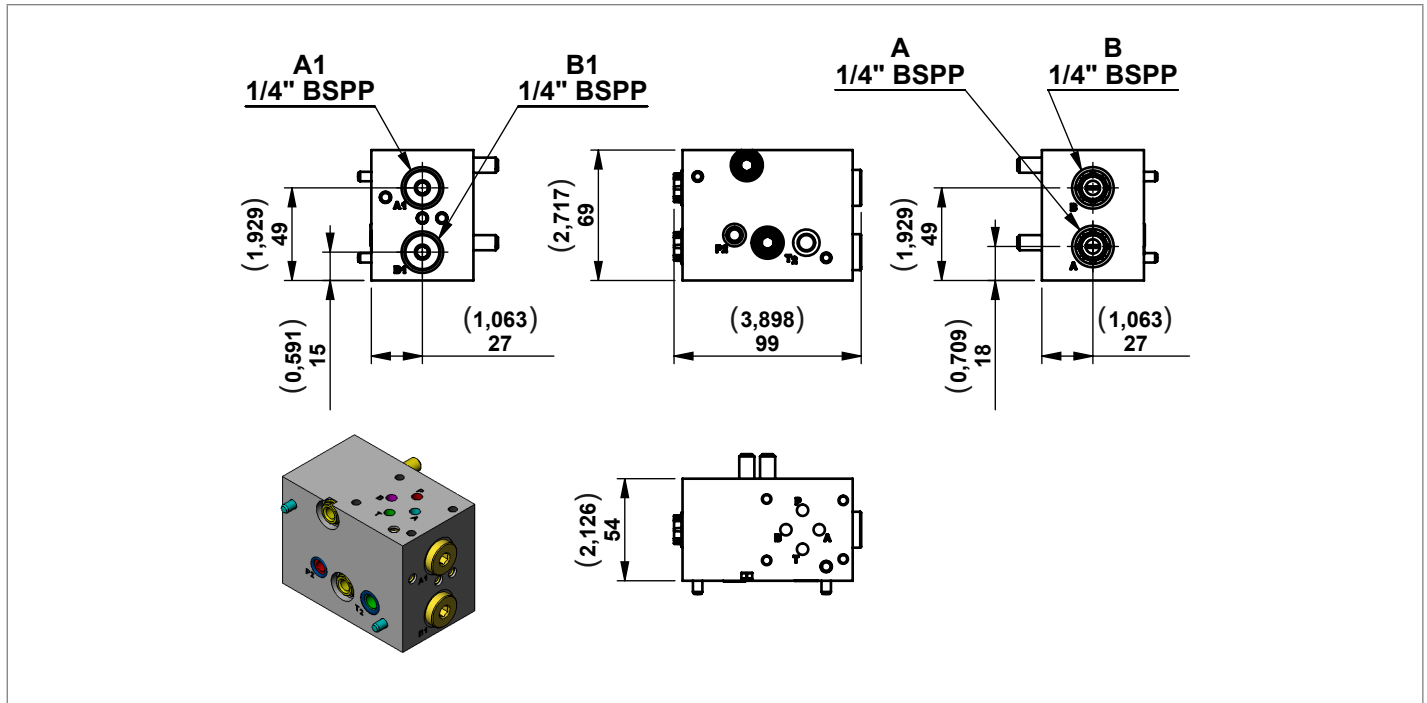
- ▶ Use coil model K4
- ▶ For 3/2 KSDE solenoid valve check data sheet RE18136.
- ▶ For KRD pressure reducing valve check data sheet RE18111.
- ▶ If using modular installation elements, the end plate MT (see page 27) must also be used.

Code	Description	Max Working Pressure bar (psi)	Max Flow l/min (gpm)	Pressure Stage	Type	Material Number
MTD04/1	Kit MTD04/1 Modular block with pressure reducing valve	250 (3626)	12,0 (3,17)	Pressure setting up to 100 bar (1450)	0985900008	R932007983
MTD04/2	Kit MTD04/2 Modular block with pressure reducing valve	250 (3626)	12,0 (3,17)	Pressure setting up to 210 bar (3046)	0985900009	R932007984

Mounting Example



Modular Stackable Element MTD08

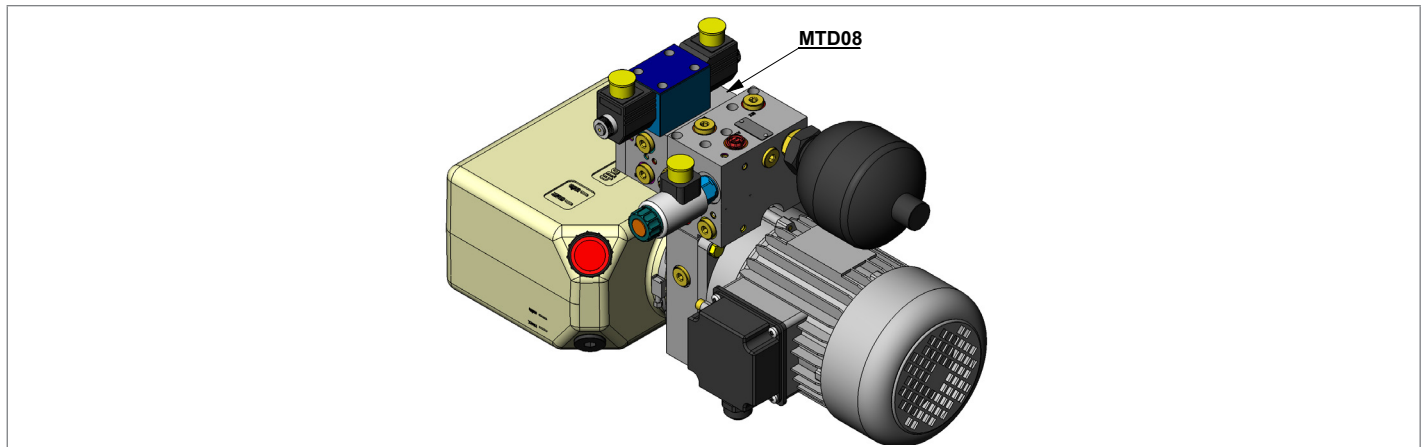


Note

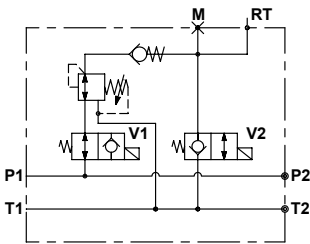
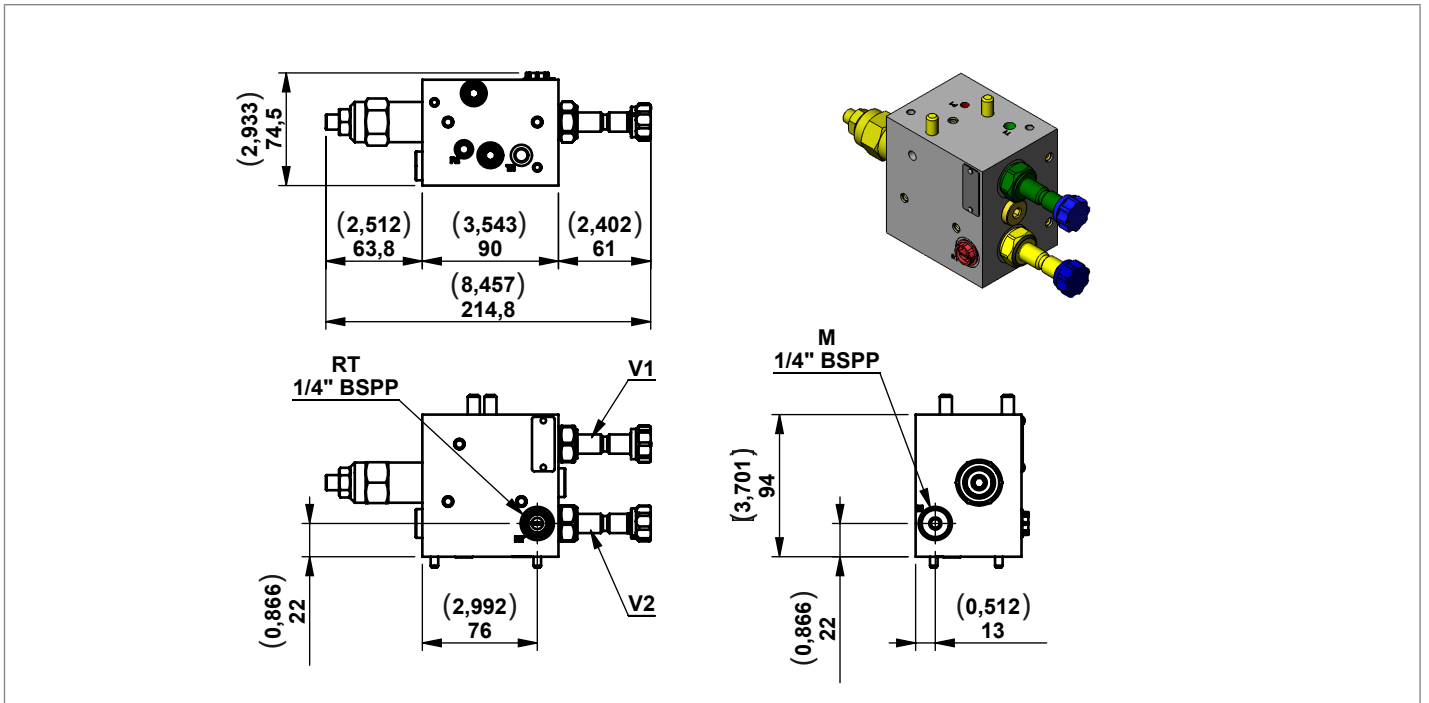
► If using modular installation elements, the end plate MT (see page 27) must also be used.

Code	Description	Max working pressure bar (psi)	Max flow l/min (gpm)	Type	Material number
MTD08	Kit MTD08 Modular block	250 (3626)	20,0 (5,28)	0985900012	R932007997

Mounting Example



Modular Stackable Element RT60

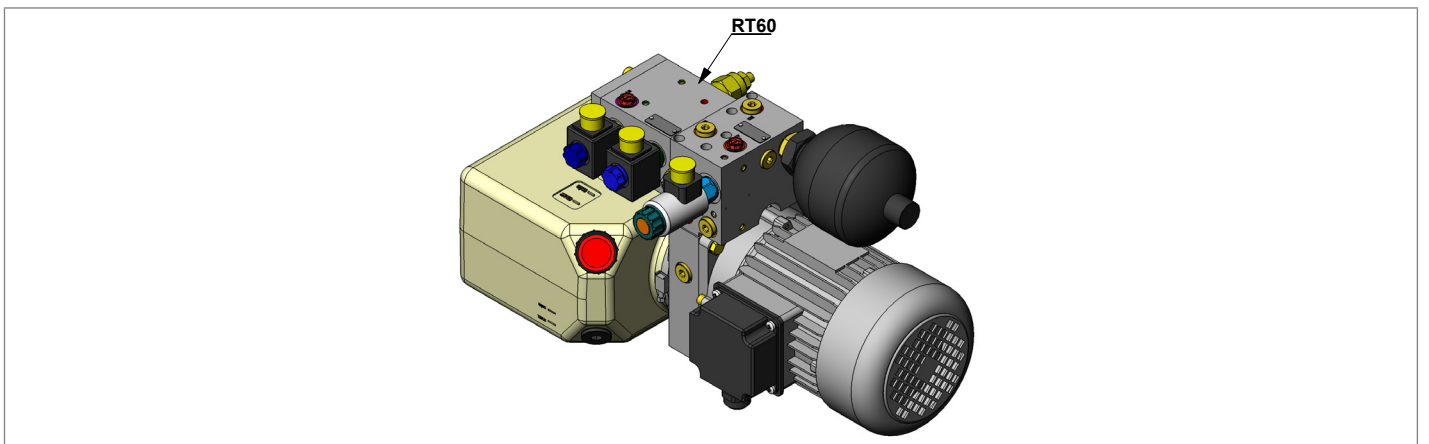


Note

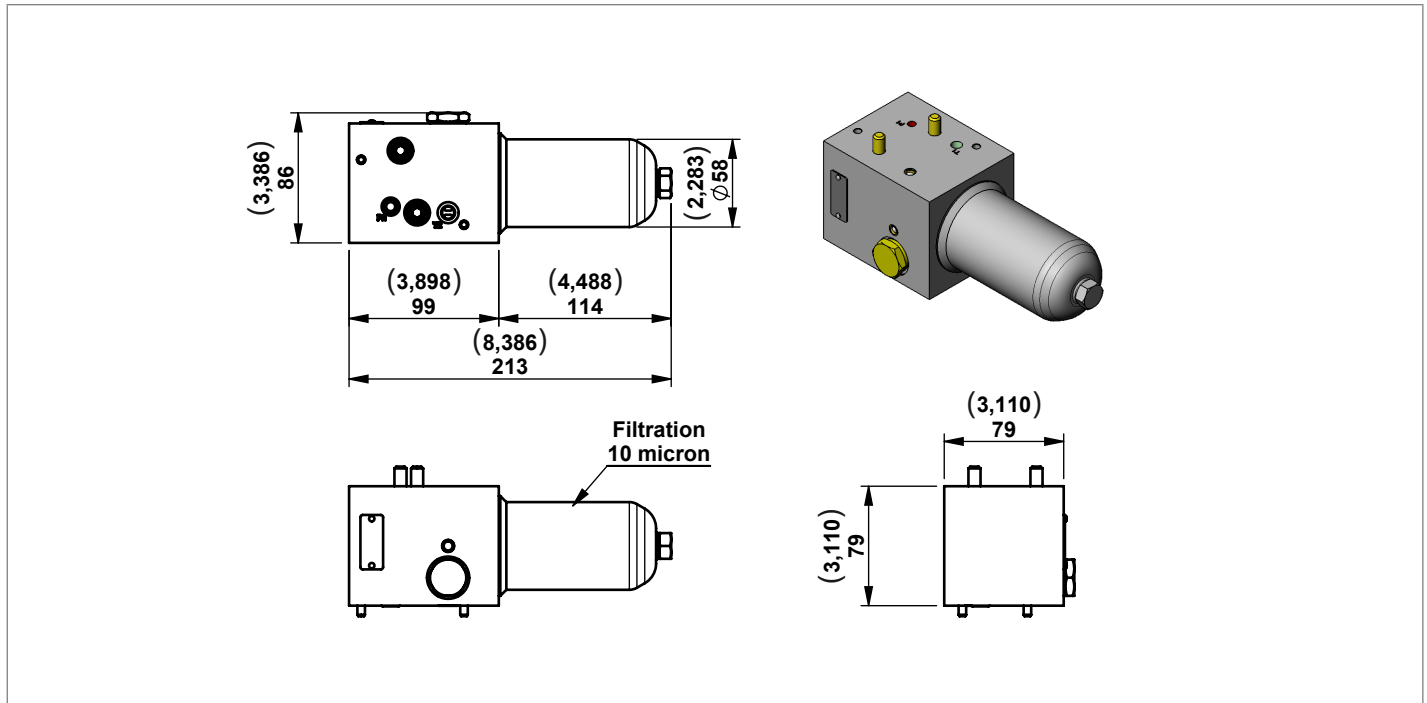
- ▶ Use Coil Model S8
- ▶ If using modular installation elements, the end plate MT (see page 27) must also be used.

Code	Description	Max Working Pressure bar (psi)	Max Flow l/min (gpm)	Pressure Stage	Type	Material Number
RT60/05	Kit RT60/05 Modular block with pressure reducing valve	250 (3626)	20,0 (5,28)	Pressure setting up to 10-50 bar (145-725)	0985900020	R932008367
RT60/08	Kit RT60/08 Modular block with pressure reducing valve	250 (3626)	20,0 (5,28)	Pressure setting up to 28-80 bar (406-1160)	0985900019	R932008361

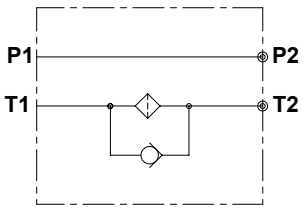
Mounting Example



Modular Stackable Element MTF01

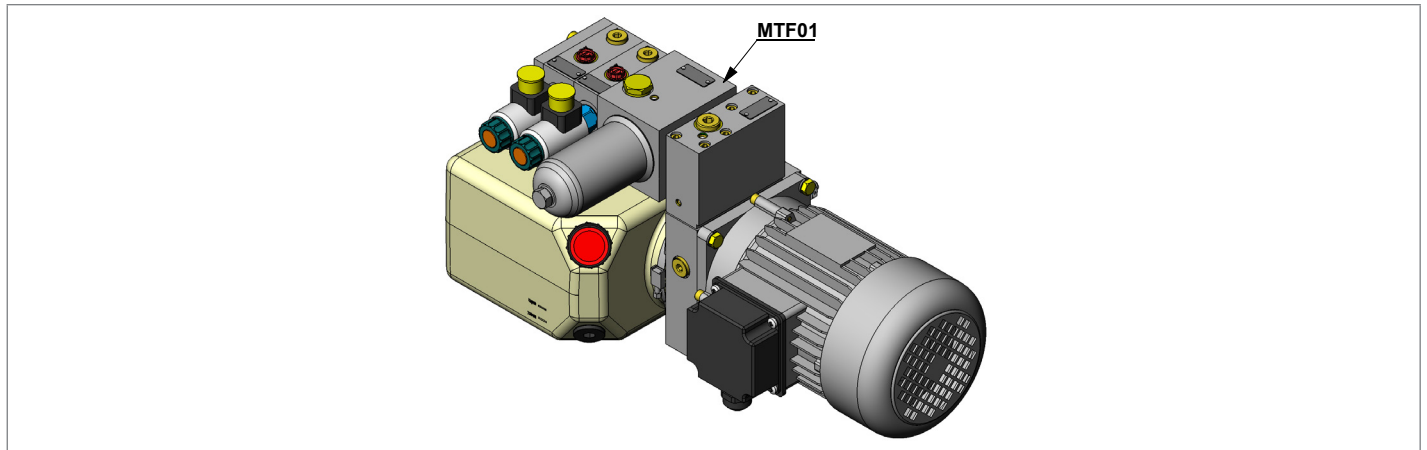


Note
► If using modular installation elements, the end plate MT (see page 27) must also be used.

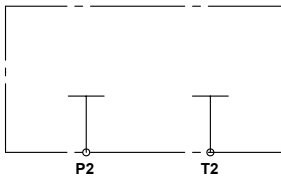
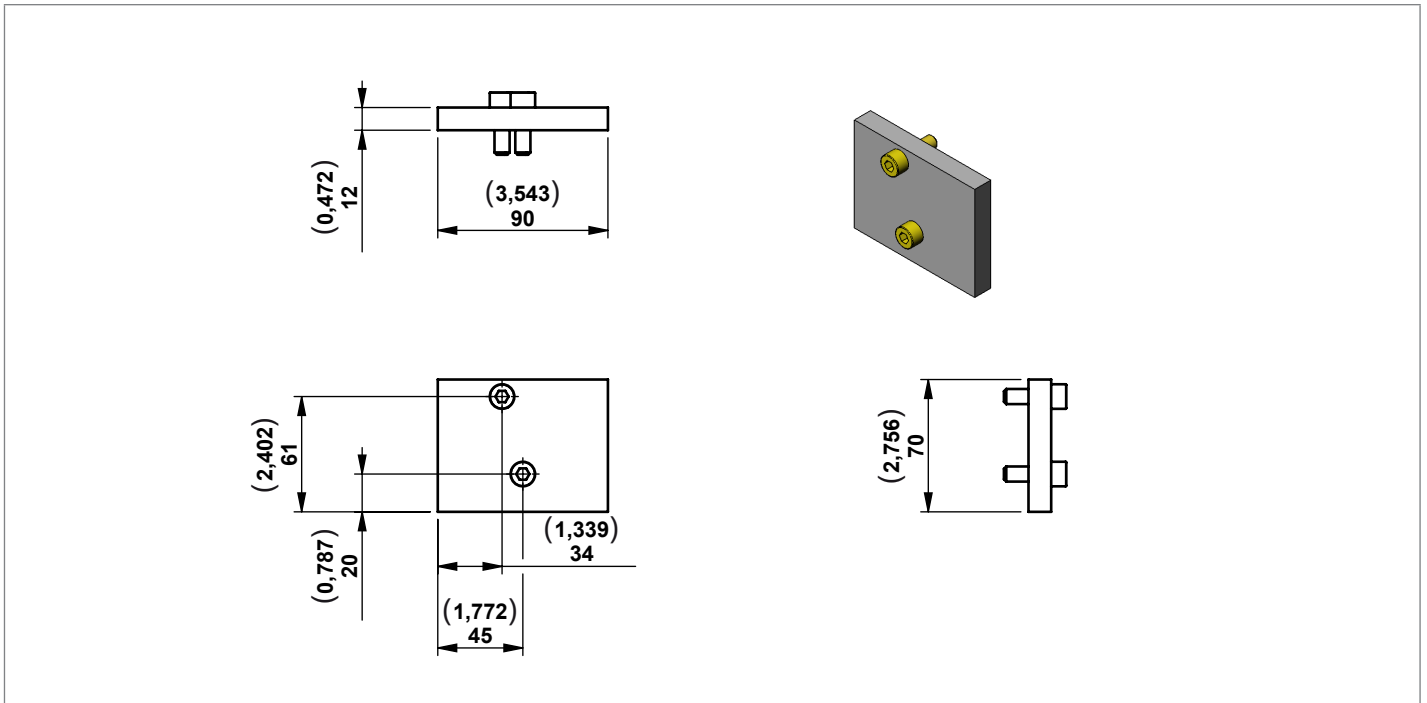


Code	Description	Max working pressure bar (psi)	Max flow l/min (gpm)	Type	Material number
MTF01	Kit MTF01 Modular block	250 (3626)	15,0 (3,96)	0985900022	R932011139

Mounting Example

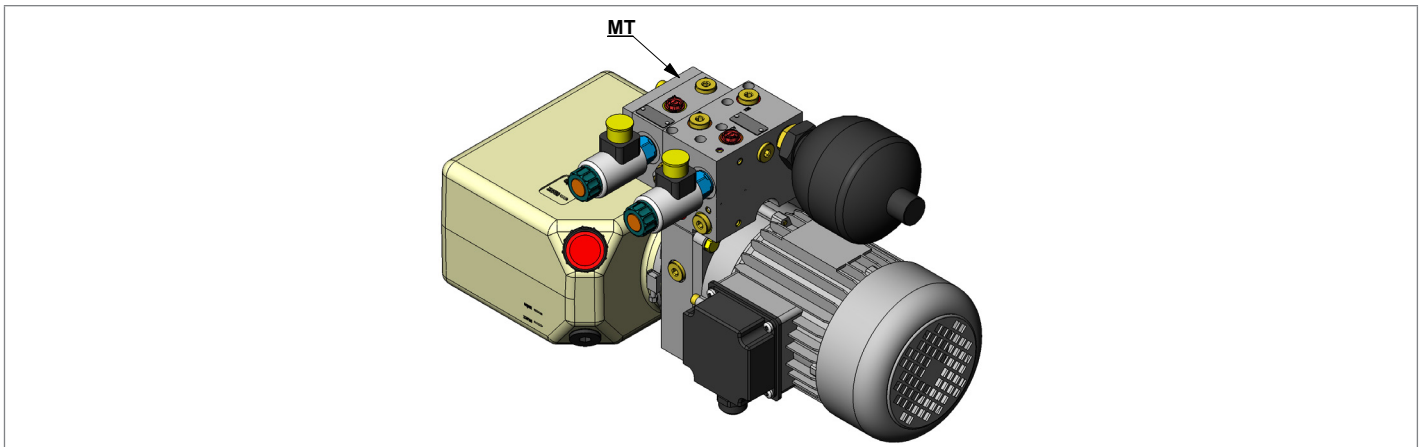


Modular Stackable Element MT



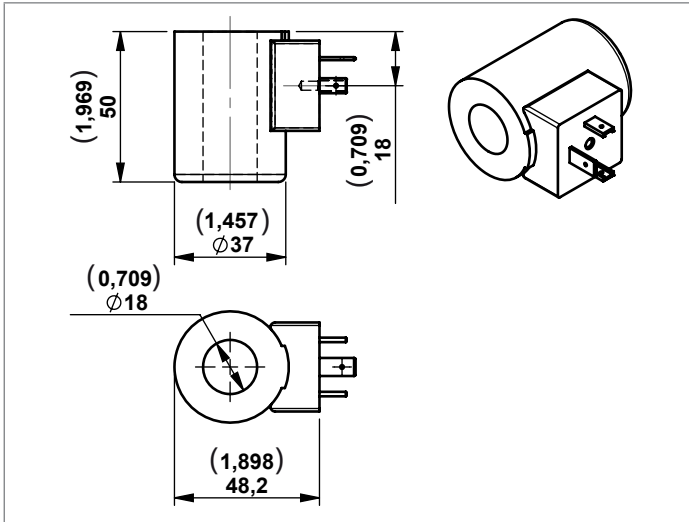
Code	Description	Type	Material number
MT	Kit MT Closing plate	0985900016	R932008159

Mounting Example



Coils

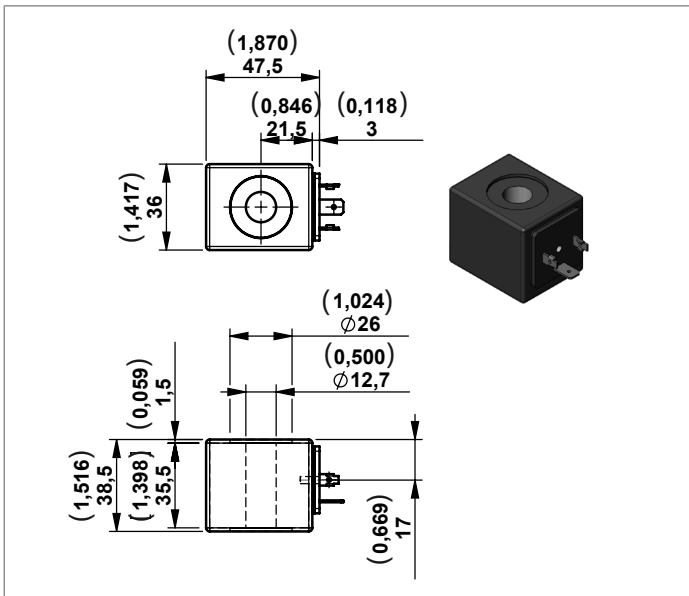
K4



Code	Connection	Voltage	Material Number
OB	03-pin (2+PE) DIN EN 175301-803	12 V	R900991678
OC	03-pin (2+PE) DIN EN 175301-803	24 V	R900991121

S8

Only for modular block RT60

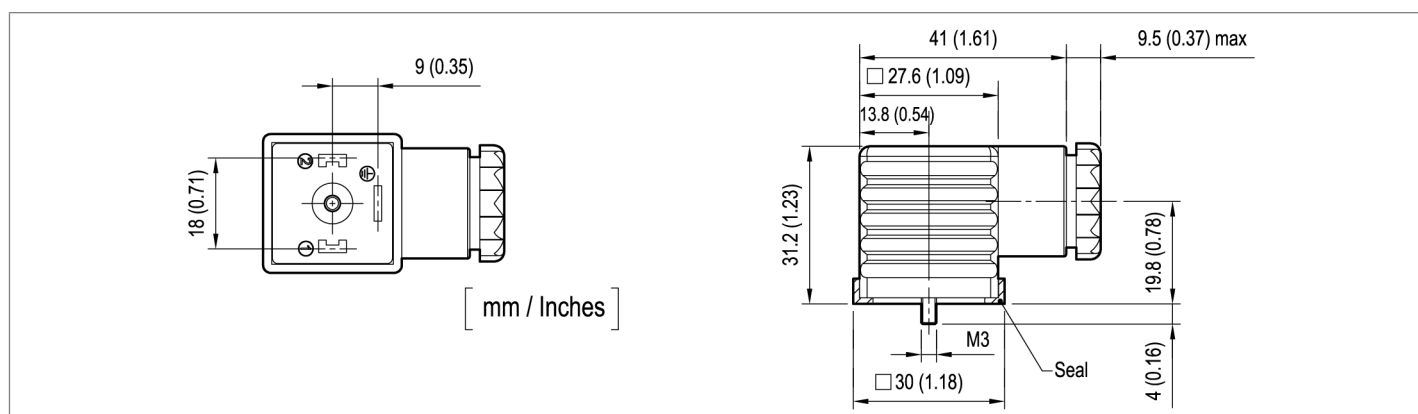


Code	Connection	Voltage	Material Number
OB	DIN 43650 - ISO 4400	12 V	R901090821
OC	DIN 43650 - ISO 4400	24 V	R901083065

Connectors

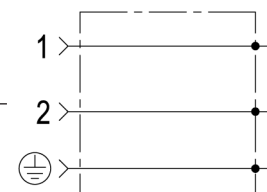
CONNECTOR IP67 - EN175000 (DIN 4350-A) / ISO 4400

Ambient temperature - Standard	°C (°F)	- 20 to + 60 (-4 to +140°F)
Type of protection according to DIN 40050		IP67 with cable socket mounted and locked
Operating voltage	V	Choose the proper ordering code according to the circuit
Maximum operating current - Standard	A	16
Number of pins		2 + PE
Clamping range for cables having an outer diameter of	mm (inch)	5, up to 10 (0,2 up to 0,4)
Cable entry		Pg9 / Pg11 (unified)
Maximum cable cross-section	mm ² (inch ²)	1.5 (0,002)



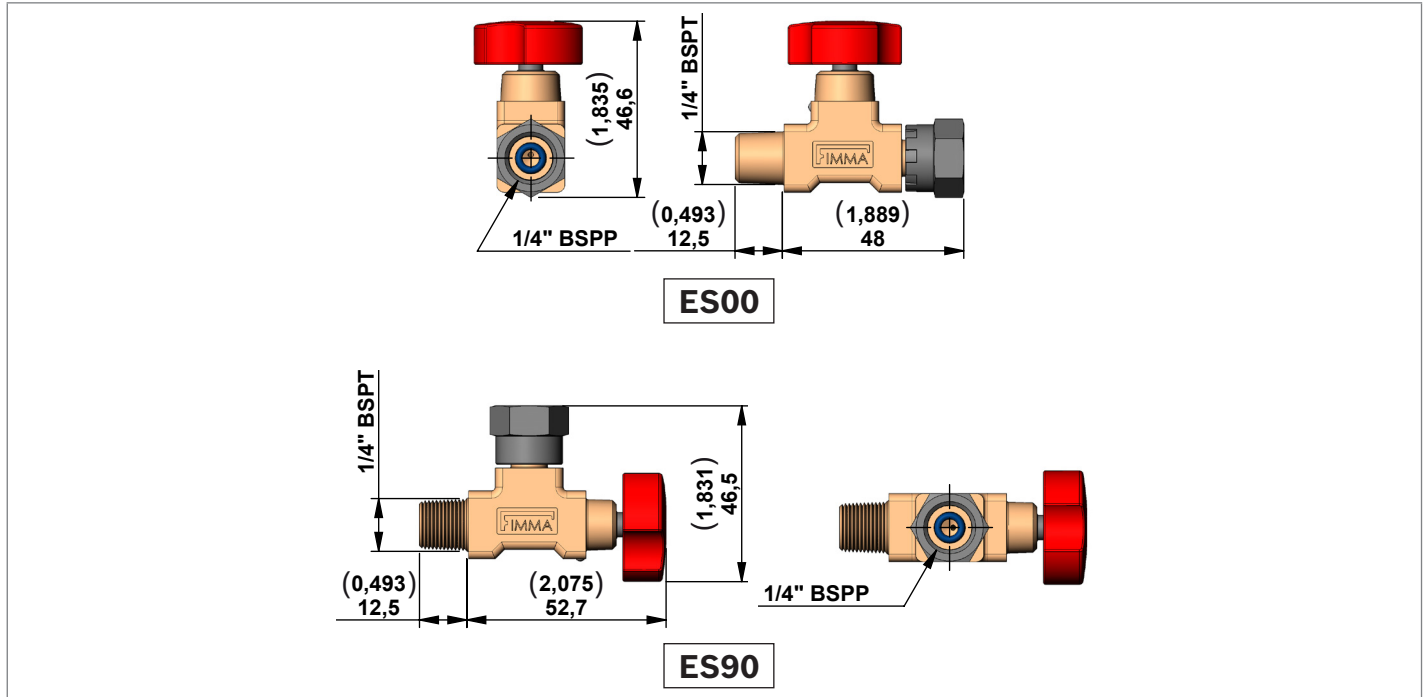
Standard Circuit

Code	Colour	Cable entry	Type	Material Number
WC	Without Connector			
CS	black	Pg9 / Pg11	OD01690100000	R934004344



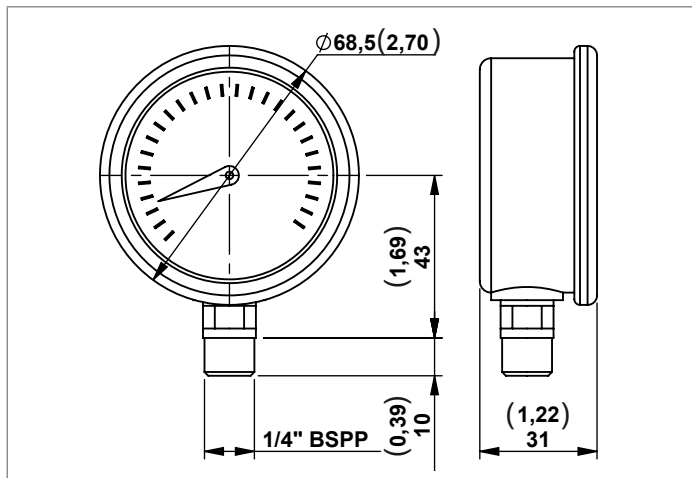
Accessories

Isolator

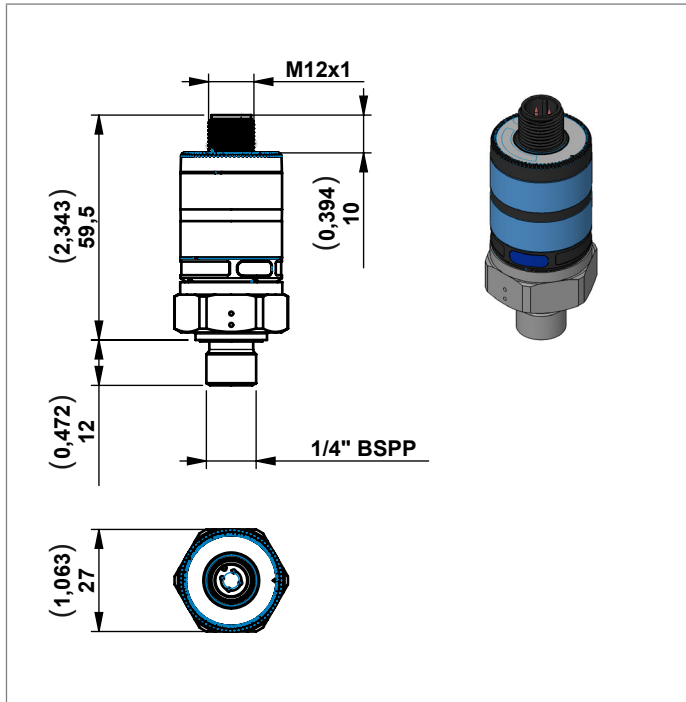


Code	Description	Type	Material Number
ES00	Straight isolator	EM 14	R932500182
ES90	90° isolator	EM 14 T	R932500184

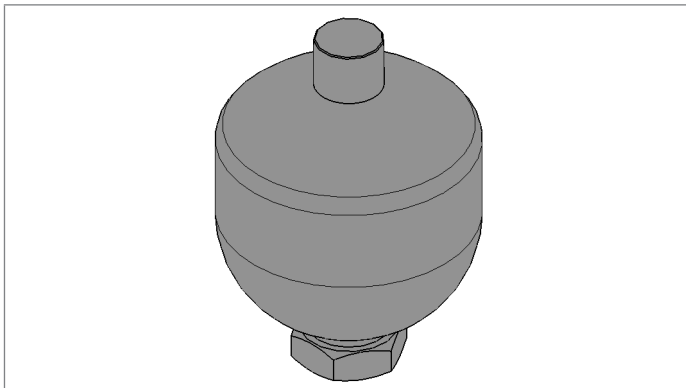
Manometer



Code	Description	Pressure range bar (psi)	Type	Material Number
MN100	Pressure gauge	0-100 (0-1450)	C163017000	R932000582
MN160	Pressure gauge	0-160 (0-2320)	C163018000	R932000583
MN250	Pressure gauge	0-250 (0-3626)	C163019000	R932000584
MN315	Pressure gauge	0-315 (0-4568)	C163020000	R932000585

Pressure Switches**Note**

Further information on the electronic pressure switch with two switching outputs HEDE11 can be found in the data sheet 30279

Accumulator**Note**

Further information on the diaphragm-type accumulator HAD can be found in the data sheet 50150

Bosch Rexroth Oil Control S.p.A.

Oil Sistem Division
Via Artigianale Sedrio, 12
42030 Vezzano sul Crostolo
Reggio Emilia - Italy
Tel. +39 0522 601 801
Fax +39 0522 606 226 / 601 802
compact-hydraulics-cpm@boschrexroth.com
www.boschrexroth.com/compacthydraulics

© This document, as well as the data, specifications and other information set forth in it, are the exclusive property of Bosch Rexroth Oil Control S.p.a.. It may not be reproduced or given to third parties without its consent. The data specified above only serve to describe the product. No statements concerning a certain condition or suitability for a certain application can be derived from our information. The information given does not release the user from the obligation of own judgment and verification. It must be remembered that our products are subject to a natural process of wear and aging.
Subject to change.