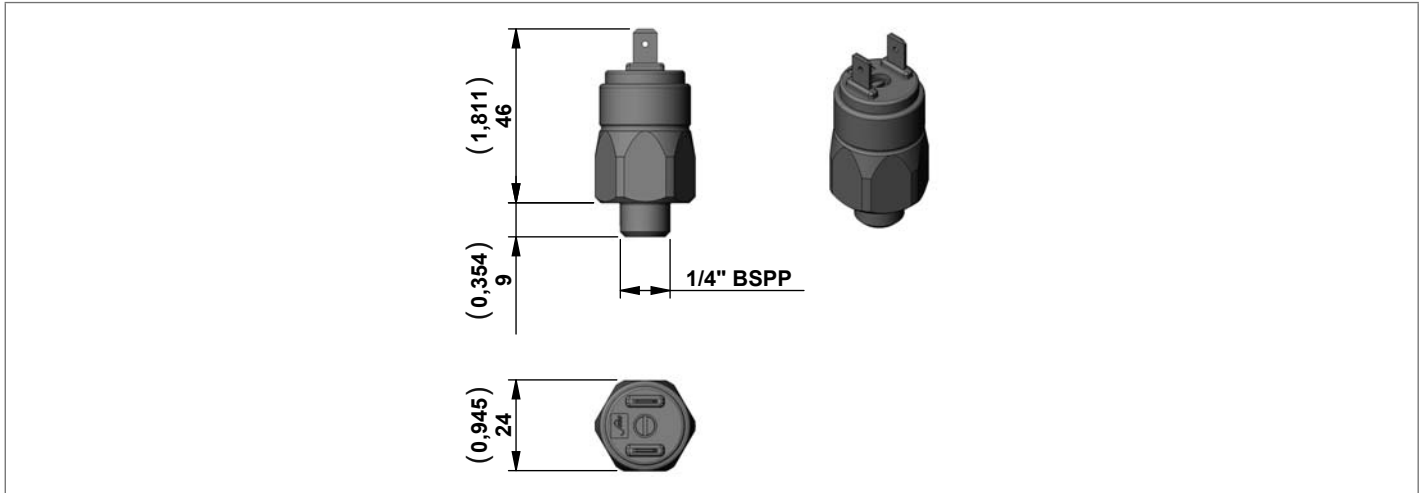
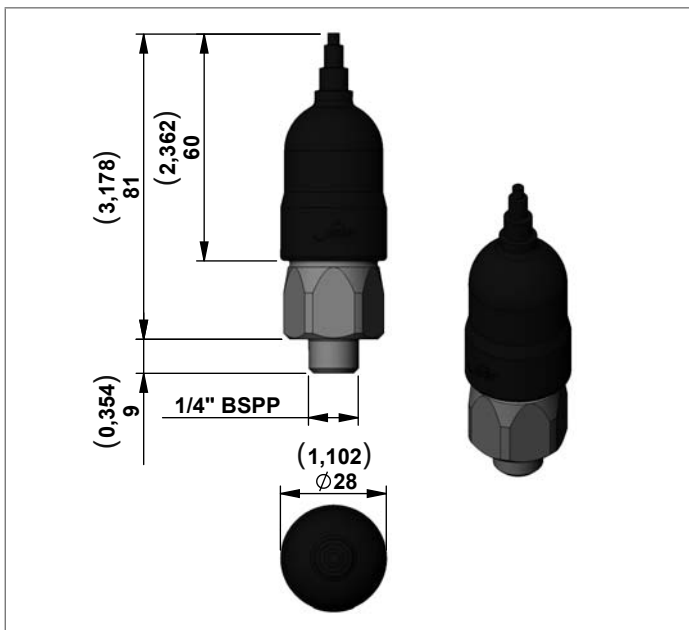


Pressure Switches



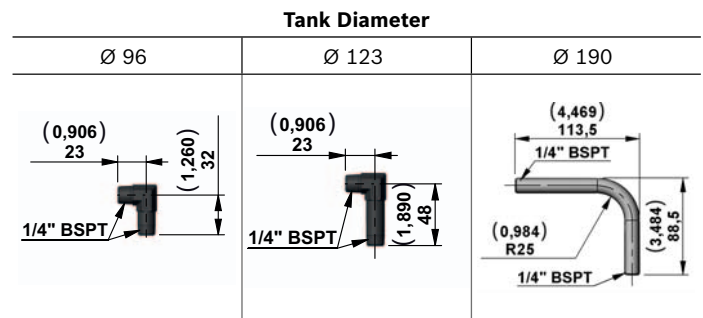
Code	Adjustment Range bar (psi)	Contact Type	Internal Features	Protection (with protective cap assembled)	Type	Material Number
PRNO20	10-20 (145-290)	N.O.	Diaphragm	IP65	C164761000	R932010002
PRNC20	10-20 (145-290)	N.C.	Diaphragm	IP65	C164766000	R932010001
PRNO50	20-50 (290-725)	N.O.	Diaphragm	IP65	C164767000	R932010003
PRNC50	20-50 (290-725)	N.C.	Diaphragm	IP65	C164768000	R932010004
PRNO150	50-150 (725-2175)	N.O.	Piston	IP65	C164769000	R932010005
PRNC150	50-150 (725-2175)	N.C.	Piston	IP65	C164770000	R932010006

Protective Cap for Pressure Switches



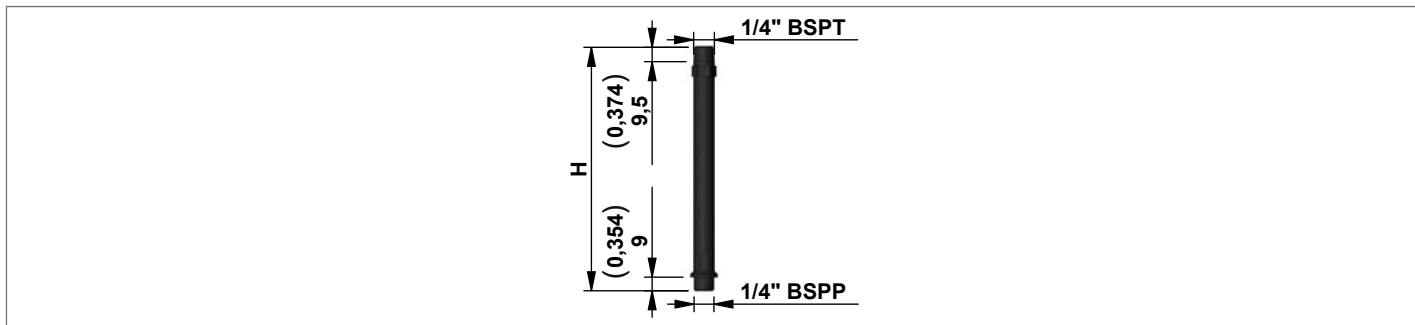
Code	Type	Material Number
CAP	F224013000	R932010000

Horizontal Suction, Pipe



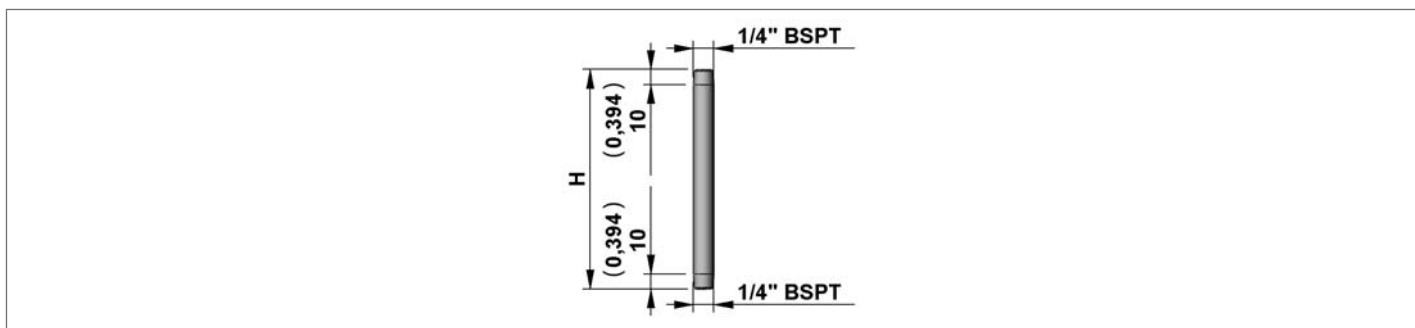
Central Manifold	Oil tank diameter mm (inch)	Type	Material Number
ME	90 (3,54)	K2340S2177	R932011066
	123 (4,84)	K2340S2175	R932011064
	190 (7,48)	M234048000	R932003086

Vertical Suction, Plastic Pipe



Central Manifold	Oil tank diameter mm (inch)	Type	Material Number
ME	33 (1,30)	K2340S2178	R932011067
	43 (1,70)	K2340S2179	R932011068
	49 (1,93)	K2340S2180	R932011069
	54 (2,13)	K2340S2181	R932011070
	61 (2,40)	K2340S2182	R932011071
	77 (3,03)	K2340S2183	R932011072
	87 (3,42)	K2340S2184	R932011073
	99 (3,90)	K2340S2185	R932011074
	114 (4,49)	K2340S2186	R932011075
	136 (5,35)	K2340S2187	R932011076
	161 (6,34)	K2340S2188	R932011077
	241 (9,49)	K2340S2189	R932011078
	321 (12,64)	K2340S2190	R932011079
	381 (15,00)	K2340S2191	R932011080

Vertical Suction, Steel Pipe



Central Manifold	H mm (inch)	Type	Material Number
ME	42 (1,65)	M234049000	R932003087
	52 (2,05)	K2340S2009	R932002254
	58 (2,28)	K234057000	R932002339
	63 (2,48)	M2340S2163	R932009736
	70 (2,76)	M234051000	R932003089
	86 (3,39)	M234052000	R932003090
	96 (3,78)	M234046000	R932003084
	108 (4,25)	M234050000	R932003088
	123 (4,84)	M234055000	R932003093
	145 (5,71)	M234054000	R932003092
	170 (6,69)	M234053000	R932003091
	250 (9,84)	M234095000	R932003095
	330 (12,99)	M234022000	R932003082

Suction Filter

Compatibility	Filtering Degree (µm)	Max Flow l/min (gpm)	Type	Material Number	Drawing
ME	90	8 (2,11)	K225583000	R932010867	

Horizontal Return, Steel Pipe

L mm (inch)	H mm (inch)	Type	Material Number	Drawing
120 (4,72)	45 (1,77)	K234716000	R932002375	
134 (5,28)	90 (3,54)	K234717000	R932002376	
170 (6,69)	90 (3,54)	K234727000	R932002383	

Vertical Return, Plastic Pipe

H mm (inch)	Type	Material Number	Drawing ref.	Drawing
100 (3,94)	K234715000	R932002374	A	
110 (4,33)	K234780000	R932011081	B	
120 (4,72)	K234781000	R932011082	B	
150 (5,91)	K234714000	R932002373	A	
160 (6,30)	K234782000	R932011083	B	
200 (7,87)	K234713000	R932002372	A	
250 (9,84)	K234784000	R932011084	B	
300 (11,81)	K234785000	R932011085	B	
400 (15,75)	K234786000	R932011086	B	

Vertical Return, Steel Pipe

H mm (inch)	Type	Material Number	Drawing
250 (9,84)	K234718000	R932002377	
300 (11,81)	K234719000	R932002378	
400 (15,75)	K234722000	R932002379	

Bosch Rexroth Oil Control S.p.A.

Oil Sistem Division
Via Artigianale Sedrio, 12
42030 Vezzano sul Crostolo
Reggio Emilia - Italy
Tel. +39 0522 601 801
Fax +39 0522 606 226 / 601 802
compact-hydraulics-cpm@boschrexroth.com
www.boschrexroth.com/compacthydraulics

© This document, as well as the data, specifications and other information set forth in it, are the exclusive property of Bosch Rexroth Oil Control S.p.a.. It may not be reproduced or given to third parties without its consent. The data specified above only serve to describe the product. No statements concerning a certain condition or suitability for a certain application can be derived from our information. The information given does not release the user from the obligation of own judgment and verification. It must be remembered that our products are subject to a natural process of wear and aging. Subject to change.