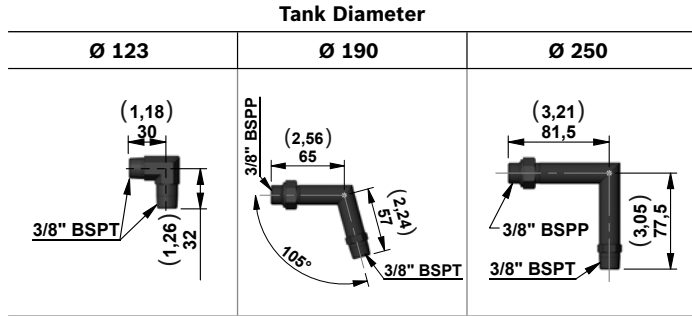
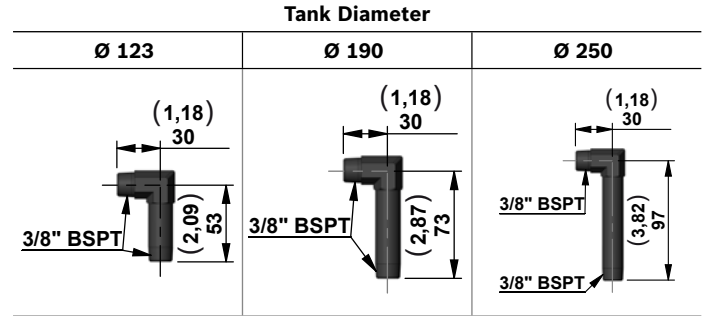


Horizontal Suction, Plastic Pipe



Central Manifold	Oil tank diameter mm (inch)	Type	Material Number
K	123 (4,84)	K2340S2144	R932006770
	190 (7,48)	K2501S1060	R932002408
	250 (9,84)	K2501S1061	R932002409



Central Manifold	Oil tank diameter mm (inch)	Type	Material Number
KE	123 (4,84)	K2340S2145	R932006771
	190 (7,48)	K2340S2146	R932006772
	250 (9,84)	K2340S2147	R932006773

Vertical Suction, Plastic Pipe

Central Manifold	H mm (inch)	Type	Material Number	Drawing ref.	Drawing
KE - K	32 (1,26)	K234069000	R932002347	B	
	37 (1,46)	K2340S2130	R932002303	A	
	40 (1,58)	K2340S2123	R932002299	A	
	47 (1,85)	K234073000	R932002349	B	
	49 (1,93)	K2340S2118	R932002297	A	
	60 (2,36)	K2340S2129	R932002302	A	
	69 (2,72)	K2340S2172	R932011025	A	
	71 (2,80)	K2340S2131	R932002304	A	
	76 (2,99)	K234074000	R932002350	B	
	80 (3,15)	K2340S2132	R932002305	A	
	90 (3,54)	K2340S2192	R930056927	A	
	98 (3,86)	K234076000	R932002351	B	
	109 (4,29)	K234079000	R932002352	B	
	111 (4,37)	K2340S2133	R932002306	A	
	121 (4,76)	K2340S2110	R932002289	A	
	129 (5,08)	K234072000	R932002348	B	
	134 (5,28)	K2340S2121	R932002298	A	
	144 (5,67)	K234063000	R932002343	B	
	157 (6,18)	K2340S2134	R932002307	A	
	167 (6,58)	K2340S2135	R932002308	A	
	175 (6,89)	K2340S2111	R932002290	A	
	182 (7,17)	K2340S2136	R932002309	A	
	194 (7,64)	K234066000	R932002345	B	
	202 (7,95)	K2340S2137	R932002310	A	
	211 (8,31)	K234064000	R932002344	B	
	222 (8,74)	K2340S2125	R932002300	A	
	237 (9,33)	K2340S2112	R932002291	A	
	245 (9,65)	K2340S2138	R932002311	A	
	255 (10,04)	K2340S2139	R932002312	A	
	284 (11,18)	K2340S2113	R932002292	A	
	297 (11,69)	K2340S2140	R932002313	A	
	317 (12,48)	K2340S2114	R932002293	A	
	334 (13,15)	K2340S2115	R932002294	A	
	345 (13,58)	K2340S2141	R932002314	A	
	355 (13,98)	K2340S2116	R932002295	A	
	373 (14,69)	K2340S2142	R932002315	A	
	382 (15,04)	K2340S2117	R932002296	A	
	402 (15,83)	K2340S2128	R932002301	A	

Vertical Suction, Steel Pipe

Central Manifold	H mm (inch)	Type	Material Number	Drawing
KE - K	86 (3,39)	K234006000	R932009324	
	100 (3,94)	K234081000	R932002353	
	110 (4,33)	K234083000	R932002355	
	117 (4,61)	K2340S2162	R932009323	
	150 (5,91)	K234004000	R932002317	
	160 (6,30)	K2340S2151	R932008456	
	178 (7,01)	K234086000	R932002356	
	212 (8,35)	K234093000	R932002360	
	260 (10,24)	K234087000	R932002357	
	287 (11,30)	K234071000	R932006600	
	348 (13,70)	K2340S2027	R932002272	
	357 (14,05)	K234092000	R932002359	
	385 (15,16)	K234062000	R932002342	
	520 (20,47)	K2340S2047	R932008033	

Suction Filter

Compatibility	Filtering Degree (µm)	Max Flow l/min (gpm)	Type	Material Number	Drawing
KE - K	90	8 (2,11)	K225582000	R932010860	
	90	15 (3,96)	K225566000	R932002243	

Horizontal Return, Steel Pipe

L mm (inch)	H mm (inch)	Type	Material Number	Drawing
120 (4,72)	45 (1,77)	K234716000	R932002375	
134 (5,28)	90 (3,54)	K234717000	R932002376	
170 (6,69)	90 (3,54)	K234727000	R932002383	

Vertical Return, Plastic Pipe

H mm (inch)	Type	Material Number	Drawing ref.	Drawing
100 (3,94)	K234715000	R932002374	A	
110 (4,33)	K234780000	R932011081	B	
120 (4,72)	K234781000	R932011082	B	
150 (5,91)	K234714000	R932002373	A	
160 (6,30)	K234782000	R932011083	B	
200 (7,87)	K234713000	R932002372	A	
250 (9,84)	K234784000	R932011084	B	
300 (11,81)	K234785000	R932011085	B	
400 (15,75)	K234786000	R932011086	B	

Vertical Return, Steel Pipe

H mm (inch)	Type	Material Number	Drawing
250 (9,84)	K234718000	R932002377	
300 (11,81)	K234719000	R932002378	
400 (15,75)	K234722000	R932002379	