

Technical Data for Steel Tanks

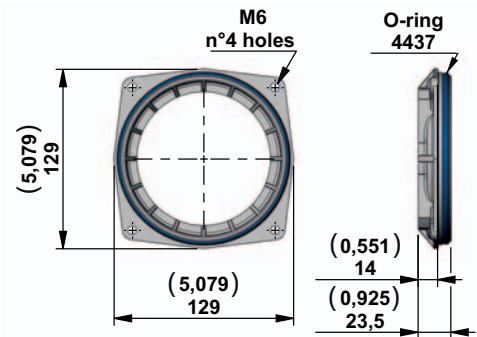
Temperature range	°C (°F)	-15....+80 (5....176)
Materials		Steel
Colors		Black paint finish
Seal		For all the steel tanks with Ø99 is necessary to use O-Ring 4350 (Ø88,5x3,53) on the central manifold. Code:110201875000000 - Material-Number:R932000191. If is necessary to use a tank designed for KE-K (Ø123mm) must use the O-ring 4350 on the manifold and add the flange S81.

Collar for Tanks

Code	Description	Type	Material Number
------	-------------	------	-----------------

S81 This adaptor allows you to use steel tanks designed for KE-K (Ø123 mm) with ME manifolds (Ø96 mm)

K01X3976SM091 R932002053



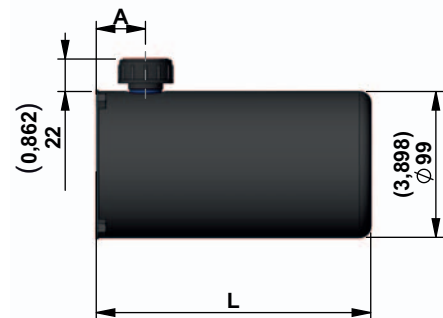
Steel Tanks

Code	Tank capacity l (USgal)	Useable capacity l (USgal)	L mm (inch)	A mm (inch)	Type	Material Number
------	-------------------------	----------------------------	-------------	-------------	------	-----------------

S266 0,5 (0,13) 0,4 (0,11) 120 (4,72) 32 (1,26) K01X3976SE299 R932002073

S267 1 (0,26) 0,7 (0,18) 184 (7,24) 32 (1,26) K01X3976SE300 R932002074

S183 1 (0,26) 0,7 (0,18) 184 (7,24) 154 (6,06) K01X3976SE213 R932002072



Code	Tank capacity l (USgal)	Useable capacity l (USgal)	H mm (inch)	Type	Material Number
------	-------------------------	----------------------------	-------------	------	-----------------

S294 0,5 (0,13) 0,4 (0,11) 120 (4,72) K01X3976SE328 R932002083

S295 1 (0,26) 0,7 (0,18) 184 (7,24) K01X3976SE329 R932002084

