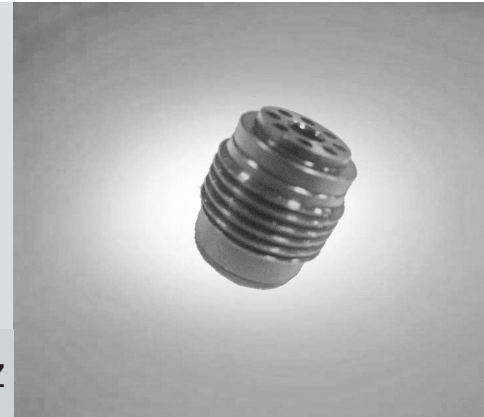
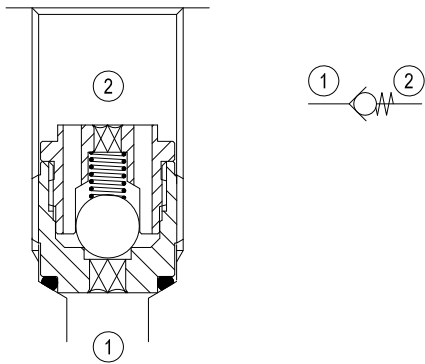


Insert type Check, ball type



VUL1

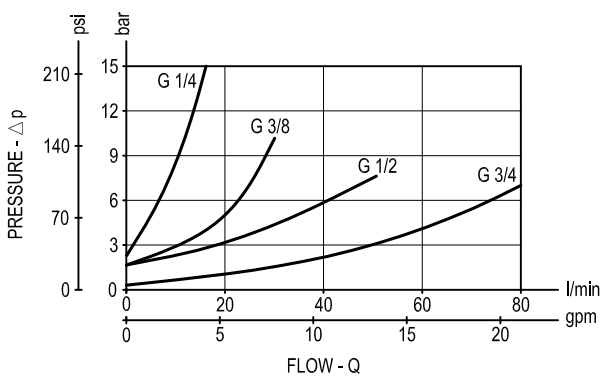
OT.U4.01.00 - Y - Z



Description

When pressure at 1 rises above the spring bias pressure, the poppet is lifted and flow allowed from 1 to 2. The valve is closed (checked) from 2 to 1. Precision machining allow virtually leak-free performance in the checked condition. These valves have to be mounted as indicated.

Performance

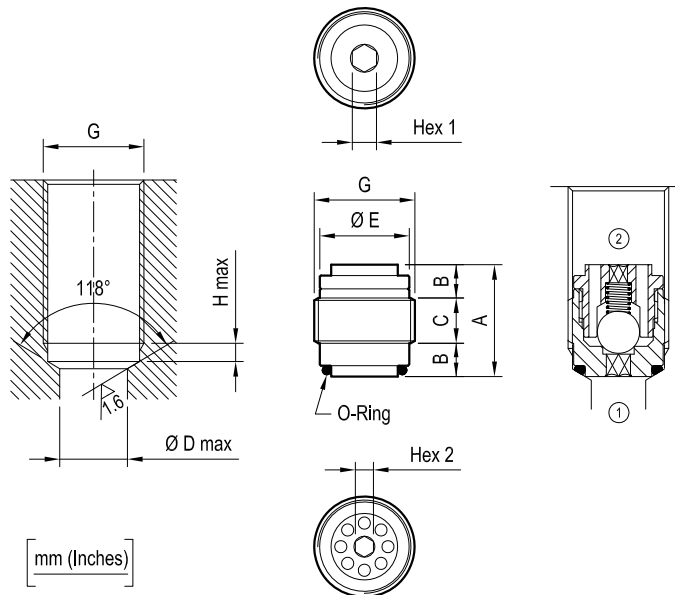


Technical data

Max. operating pressure	bar (psi)	210 (3000)
Max. flow	l/min. (gpm)	see "performance" graph
Max. internal leakage	drops/min.	5
Fluid temperature range	°C (°F)	-30 to 100 (-22 to 212)
Installation torque	Nm (ft-lbs)	see "Dimensions" table
Weight	kg (lbs)	see "Dimensions" table
Special cavity		see "Dimensions"
Seal kit (*)	code material no.	see "Dimensions" table
Fluids		Mineral-based or synthetics with lubricating properties at viscosities of 5 to 800 mm ² /s (cSt)
Filtration		Nominal value max. 10µm (NAS 8) ISO 4406 19/17/14
Other Technical Data		See data sheet RE 18350-50

(*) Only external seals for 10 valves

Dimensions



G	A	B	C	D	E	Hex 1	Hex 2	O-Ring dimensions	Seal kit	H	Weight kg (lbs)	Inst. torque Nm (ft-lbs)	Flow max. l/min. (gpm)
G 1/4	17 (0.67)	5.5 (0.21)	6 (0.24)	7 (0.28)	11.3 (0.44)	3 (0.12)	3 (0.12)	Ø 9x1 (0.35x0.04)	RG09UL010000100 R931002474	3 (0.12)	0.02 (0.04)	6 (4)	15 (4)
G 3/8	18.5 (0.73)	5.5 (0.21)	7.5 (0.3)	9 (0.35)	14.8 (0.58)	4 (0.16)	3 (0.12)	Ø 10.8x1.78 (0.43x0.07)	RG02UL010000100 R931002475	3 (0.12)	0.03 (0.06)	6 (4)	30 (8)
G 1/2	22.5 (0.89)	6.5 (0.26)	9.5 (0.37)	12 (0.47)	18.5 (0.73)	6 (0.24)	5 (0.2)	Ø 14x1.78 (0.55x0.07)	RG03UL010000100 R931002476	4 (0.16)	0.04 (0.08)	10 (7)	50 (13)
G 3/4	28.5 (1.12)	7 (0.28)	14.5 (0.57)	17 (0.67)	24.1 (0.95)	8 (0.3)	8 (0.3)	Ø 18.7x2.6 (0.74x0.1)	RG04UL010000100 R931002477	5 (0.2)	0.07 (2.2)	20 (15)	80 (21)

Ordering code

OT.U4.01.00	Y	Z	*
-------------	---	---	---

Insert type - Check, ball type

Series 0/A to L
unchanged performances and dimensions

Port sizes

- = 09 G 1/4
- = 02 G 3/8
- = 03 G 1/2
- = 04 G 3/4

CRACKING PRESSURE bar (psi)

	G 1/4	G 3/8	G 1/2	G 3/4
00	2.3 (33.4)	1.75 (25.4)	1.75 (25.4)	0.3 (4.4)

Type	Material number
OTU401000900000	R931002417
OTU401000200000	R931002418
OTU401000300000	R931002419
OTU401000400000	R931002420

Type	Material number