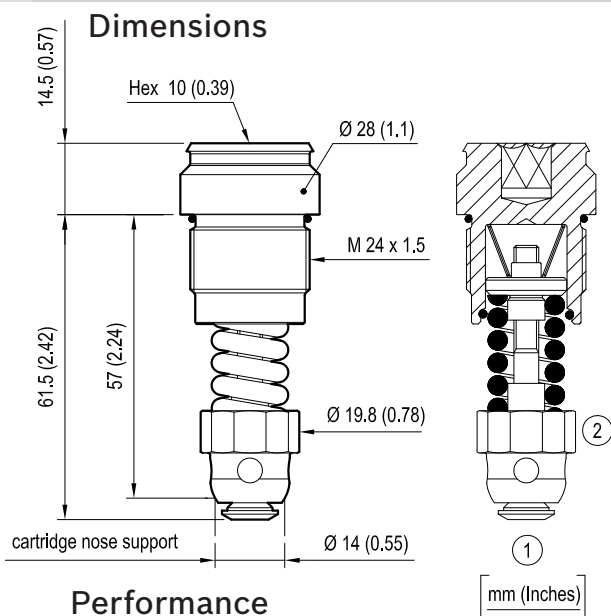


# Insert type Relief, direct acting and anti-cavitation function

Special cavity, 871

VMA1.180

0T.M4.09 - X - 99 - Z - W

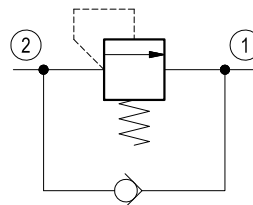


### Description

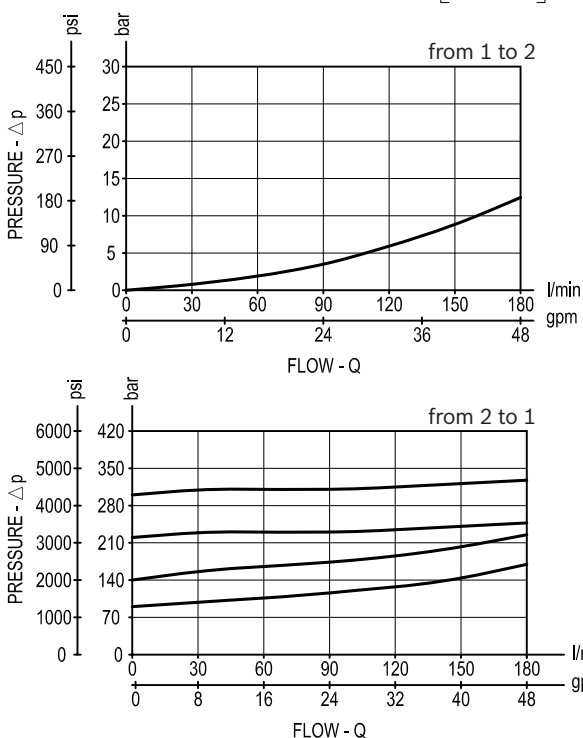
Flow is free from 1 to 2 until pressure increases to meet the selected valve setting, allowing relief flow through port 1 to tank. This valve combine the typical function of shock relief valve (direct acting) and anticavitation function through the check valve. The direct action and the specific design allow a very fast opening and closing.

**Note:** to obtain a good leak proof performance coin the cavity seat using a loose valve seat (P/N OF.S0.050) as a coining tool.

Please consult factory for any question.



### Performance



### Technical data

Max. operating pressure	bar (psi)	400 (5800)
Max. flow	l/min. (gpm)	180 (48)
Max. internal leakage (*)	drops/min.	30
Fluid temperature range	°C (°F)	-30 to 100 (-22 to 212)
Installation torque	Nm (ft-lbs)	65-70 (48-52)
Weight	kg (lbs)	0.15 (0.33)
Special cavity		871 see data sheet RE 18325-75
Lines bodies and standard assemblies		Please refer to section "Hydraulic integrated circuit" or consult factory
Seal kit (**)	code material no.	RG0870020000100 R931002407
Fluids		Mineral-based or synthetics with lubricating properties at viscosities of 10 to 500 mm <sup>2</sup> /s (cSt)
Recommended degree of fluid contamination		Nominal value max. 10µm (NAS 8) ISO 4406 20/18/15
Installation		No restrictions
Other Technical Data		See data sheet RE 18350-50

(\*) at 80% of pressure setting

(\*\*) Only external seals for 10 valves

## Ordering code

OT.M4.09	X	99	Z	W	*
----------	---	----	---	---	---

Insert type - Relief, direct acting and anti-cavitation function

Adjustments

= 00 Fixed setting

Special cavity, 871

Series O/A to L  
unchanged performances and dimensions

SPRINGS	
Adj. pressure range bar (psi)	
90-140 (1300-2000)	= 10
140-220 (2000-3200)	= 20
220-300 (3200-4400)	= 30
300-400 (4400-5800)	= 40

Std. SETTING bar (psi) Q=10 l/min (2.6 gpm)

	for Z=10	for Z=20	for Z=30	for Z=40		
= 01	90 (1310)					
= 02	100 (1450)	150 (2180)	230 (3340)	310 (4500)		
= 03	110 (1600)	160 (2320)	240 (3480)	320 (4640)		
= 04	120 (1740)	170 (2470)	250 (3630)	330 (4790)		
= 05	130 (1890)	180 (2610)	260 (3770)	340 (4930)		
= 06	140 (2030)	190 (2760)	270 (3920)	350 (5080)		
= 07		200 (2900)	280 (4060)	360 (5220)		
= 08		210 (3050)	290 (4210)	370 (5370)		
= 09		220 (3190)	300 (4350)	380 (5510)		
= 10				390 (5660)		
= 11				400 (5800)		

Type	Material number
OTM409009910010	R931002340
OTM409009910020	R931001395
OTM409009910030	R931002341
OTM409009910040	R931002342
OTM409009910050	R931001844
OTM409009910060	R931000860
OTM409009920020	R931002343
OTM409009920030	R931002344
OTM409009920040	R931002345
OTM409009920050	R931000862
OTM409009920060	R931001850
OTM409009920070	R931002346
OTM409009920080	R931000921
OTM409009920090	R931002347
OTM409009930020	R931001851
OTM409009930030	R931002348

Type	Material number
OTM409009930040	R931001852
OTM409009930050	R931002349
OTM409009930060	R931001390
OTM409009930070	R931001853
OTM409009930080	R931001854
OTM409009930090	R931002356
OTM409009940020	R931002350
OTM409009940030	R931002351
OTM409009940040	R931002352
OTM409009940050	R931002353
OTM409009940060	R931002354
OTM409009940070	R931001409
OTM409009940080	R931002355
OTM409009940090	R931002357
OTM409009940100	R931002358
OTM409009940110	R931002359