

Solenoid operated valves direct acting poppet type  
2-way double lock, common cavity size 08  
Cartridge style in manifold

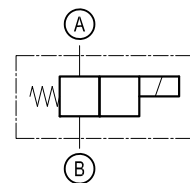
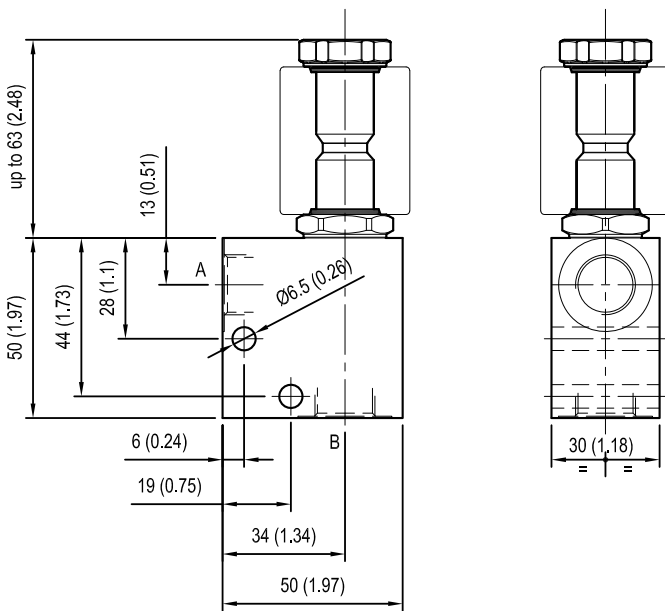
VEDT-CS-16-08A-NC

OS.11.31.18 - X - Y - Z - W

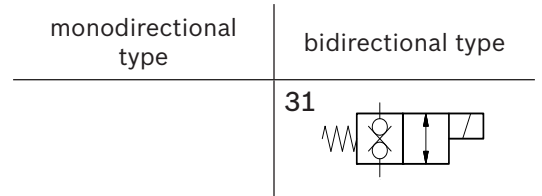
**RE 18331-69**

Edition: 02.2019

Replaces: 11.2017



**Cartridge schemes**



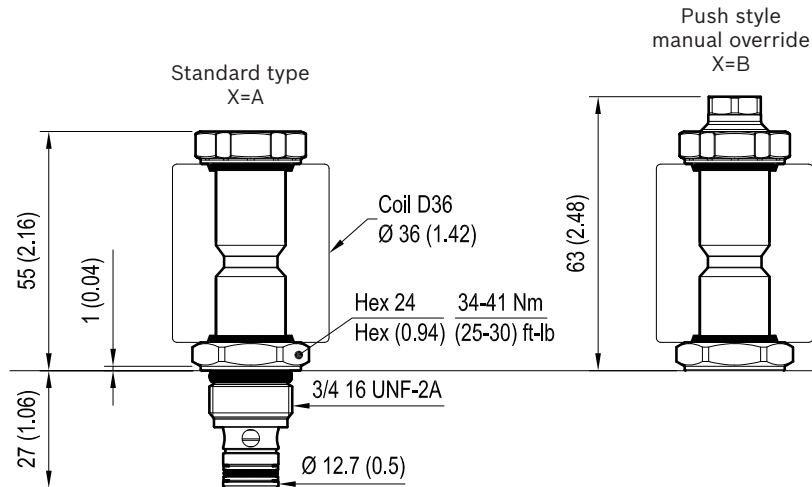
[ mm (inches) ]

**Technical data**

Max. flow	up to 15 l/min (4 gpm)*
Max. operating pressure for steel body	250 bar (3625 psi)
Max operating pressure for aluminium body	210 bar (3000 psi)
Ambient temperature range	-30 to 90 °C (-22 to 194 °F)
Fluids: Mineral-based or synthetics with lubricating properties at viscosities of 20 to 380 mm <sup>2</sup> /s (cSt)	
MTTFd	150 years see RE 18350-51
To order manifold only, see data sheet RE 18325-85	
Other technical data	See data sheet 18350-50

\* see performance graph on page 3

**Solenoid operated valves, direct acting  
poppet type 2-way double lock**



**Cartridge technical data**

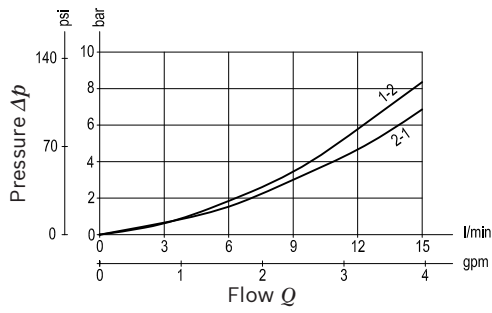
General	
Installation orientation	Unrestricted
Ambient temperature range	-30 to 90 °C (-22 to 194 °F)
Hydraulic	
Max. operating pressure	250 bar (3625 psi)
Flow range	up to 15 l/min (4 gpm)
Max. internal leakage	5 drops/min.
Fluid temperature range	-20 to 80 °C (-4 to 176 °F)
Fluids: Mineral-based or synthetics with lubricating properties at viscosities of 20 to 380 mm <sup>2</sup> /s (cSt)	
Installation torque	34 - 41 Nm (25 - 30 ft-lbs)
Recommended degree of fluid contamination	Nominal value max. 10 µm (NAS 8) ISO 4406 19/17/14
MTTFd	150 years see RE 18350-51
Cavity	CA-08A-2N see data sheet 18325-70
Other technical data	See data sheet 18350-50

Electrical	
Type of voltage	DC voltage
Coil type	D36
Supply voltage	See data sheet 18325-90
Admitted voltage tolerance: see characteristic curves and table	
Power consumption	20 W
Type of protection	See data sheet 18325-90
Note: Coils must be ordered separately	

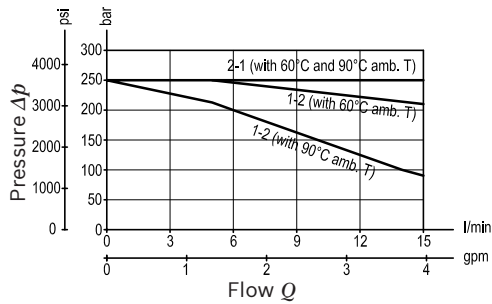
**Characteristic curves**

**Version 31**

Pressure drop



**Performance limits at 100% duty cycle**



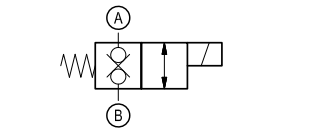
Minimum switching voltage		
Flow direction	Amb. T	Voltage required
2-1	60°C	-20% of V nominal
2-1	90°C	V nominal
1-2	60°C	-10% of V nominal
1-2	90°C	V nominal

Note: in case of need of performance limits at specific different working conditions, please consult factory.

**Ordering code**

<b>OS.11</b>	<b>31</b>	<b>18</b>	<b>X</b>	<b>Y</b>	<b>Z</b>	<b>W</b>
--------------	-----------	-----------	----------	----------	----------	----------

Solenoid operated valves  
 direct acting poppet type  
 2-way double lock  
 common cavity size 08  
 Cartridge style in manifold



**Manifold material**

<b>00</b>	Aluminium
<b>S0</b>	Steel

**Manifold port sizes**

<b>09</b>	G 1/4
<b>02</b>	G 3/8
<b>37</b>	M 10x1
<b>55</b>	9/16 18 UNF

**Cartridge seals and accessories options**

**0** = With buna seal  
**V** = With Viton seal

**Cartridge options**

**A** = Standard  
**B** = Push style manual override

Common cavity size 08

**Bosch Rexroth Oil Control S.p.A.**

Via Leonardo da Vinci 5  
 P.O. Box no. 5  
 41015 Nonantola – Modena, Italy  
 Tel. +39 059 887 611  
 Fax +39 059 547 848  
 compact-hydraulics-hic@boschrexroth.com  
 www.boschrexroth.com/compacthydraulics

© This document, as well as the data, specifications and other information set forth in it, are the exclusive property of Bosch Rexroth Oil Control S.p.a.. It may not be reproduced or given to third parties without its consent. The data specified above only serve to describe the product. No statements concerning a certain condition or suitability for a certain application can be derived from our information. The information given does not release the user from the obligation of own judgment and verification. It must be remembered that our products are subject to a natural process of wear and aging. Subject to change.