

Single counterbalance with regenerative function, pressure controlled

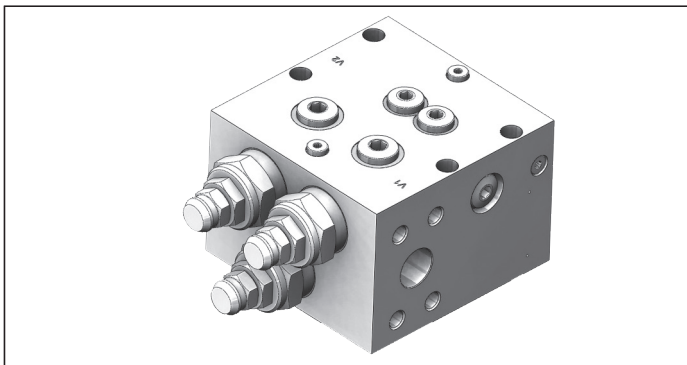
A-VBSO-CR-EA-42

07.06.70.30

RE 18307-96

Edition: 06.2020

Replaces: 03.2016



Technical data

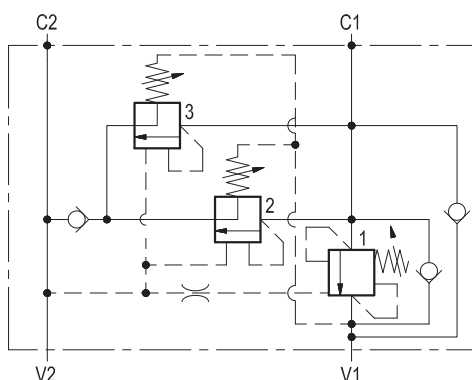
Max. operating pressure	410 bar (5945 psi)
Max. flow	400 l/min. (106 gpm)
Weight	18.9 kg (41.7 lbs)
Manifold material	Zinc plated cast iron
Flange seal kit ¹⁾	E00000000000050 (R930052830)
Fluid	Mineral oil (HL, HLP) according DIN 51524
Fluid temperature range	-20 °C to 120 (-4 to 248 °F)
Viscosity range	5 to 800 mm ² /s (cSt)
Recommended degree of fluid contamination	Class 19/17/14 according to ISO 4406
Other technical data	see data sheet 18350-50

Note: for applications outside these parameters, please consult us.

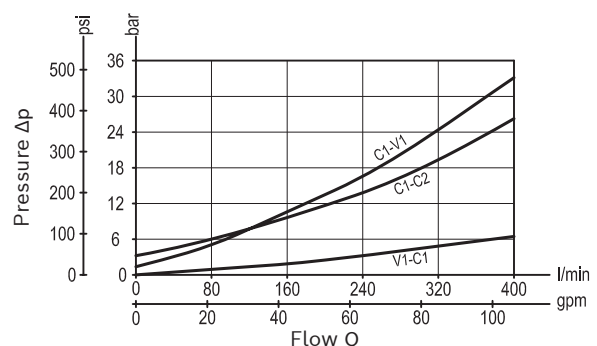
¹⁾ Seals for 10 valves

Description

It provides high speed cylinder extension at low pressure operation; the extension speed increment given by the regenerative function disappears when line pressure in V2 increases above the pressure threshold needed to pilot open valve (1) which diverts to tank the flow from the annular chamber. Two pilot assisted by-pass counterbalance “fully vented type” valves (2 and 3) provide the regenerative function by feeding into the full bore (C2) the flow coming out from the annular side (C1). The by-pass valves (2 and 3) are piloted by V2 pressure and are internally vented into V1 which acts as “Tank” line during cylinder extension. For better safety and compact assembly, the C1 and C2 ports are gasket mounted directly on the actuator.



Characteristic curve



Ordering code

07.06.70.30

Single counterbalance with regenerative function, pressure controlled

Pilot ratio

Valve 1 6:1

Valve 2 6:1

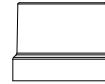
Valve 3 6:1

Port sizes	V1 - V2	C1 - C2
	1-1/4 SAE 6000	Ø 28 (1.1)

SPRINGS			
	Adj. pressure range bar (psi)	Pres. increase bar/turn (psi/turn)	Std. setting Q=5 (l/min.) bar (psi)
Valve 1	30-80 (450-1160)	17 (247)	80 (1160) Pilot opening with 100 bar (1450 psi) rod side
Valve 2	120-360 (1750-5200)	60 (870)	250 (3600)
Valve 3	120-360 (1750-5200)	60 (870)	250 (3600)

Pressure setting up to 410 bar: code on request.

Tamper resistant cap
ordering code 11.04.30.001
Mat. no. R930005194

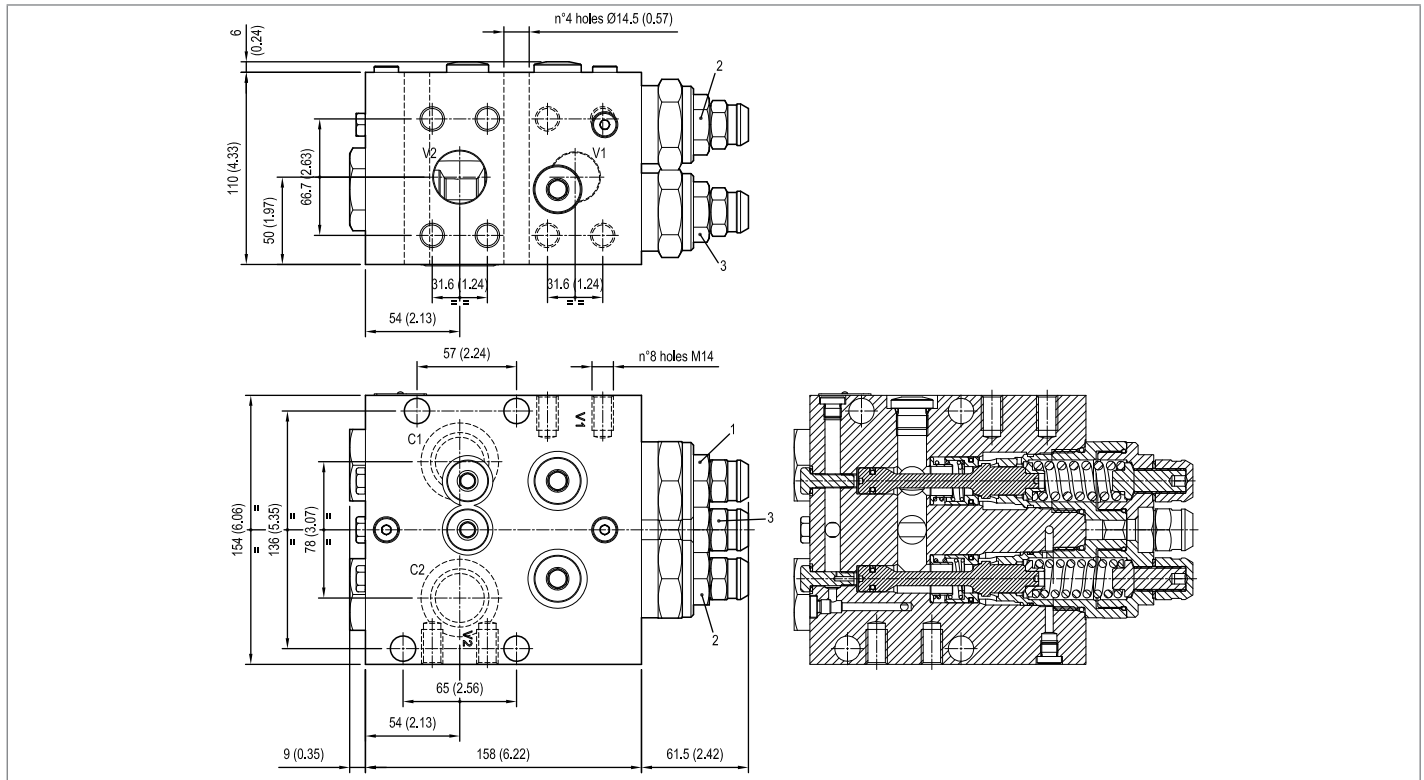


Preferred types

Type	Material number
070670300000V0C	R930065638

Type	Material number

Dimensions



Bosch Rexroth Oil Control S.p.A.

Via Leonardo da Vinci 5
P.O. Box no. 5
41015 Nonantola – Modena, Italy
Tel. +39 059 887 611
Fax +39 059 547 848
compact-hydraulics-pib@boschrexroth.com
www.boschrexroth.com/compacthydraulics

© This document, as well as the data, specifications and other information set forth in it, are the exclusive property of Bosch Rexroth Oil Control S.p.a.. It may not be reproduced or given to third parties without its consent. The data specified above only serve to describe the product. No statements concerning a certain condition or suitability for a certain application can be derived from our information. The information given does not release the user from the obligation of own judgment and verification. It must be remembered that our products are subject to a natural process of wear and aging. Subject to change.