

Solenoid operated valves 4-way 2-positions
Common cavity size 08
Cartridge style in manifold

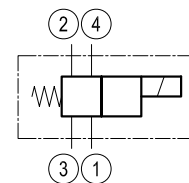
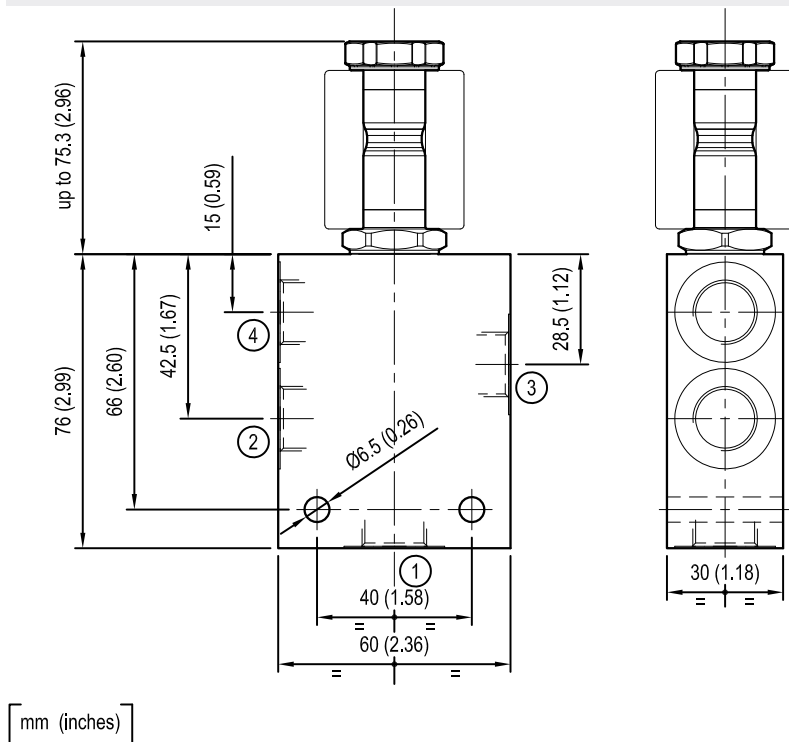
VED-CS-16-08A-42

OS.14 - K - 58 - X - Y - Z - W

RE 18331-68

Edition: 02.2019

Replaces: 11.2017



Cartridge schemes (K)

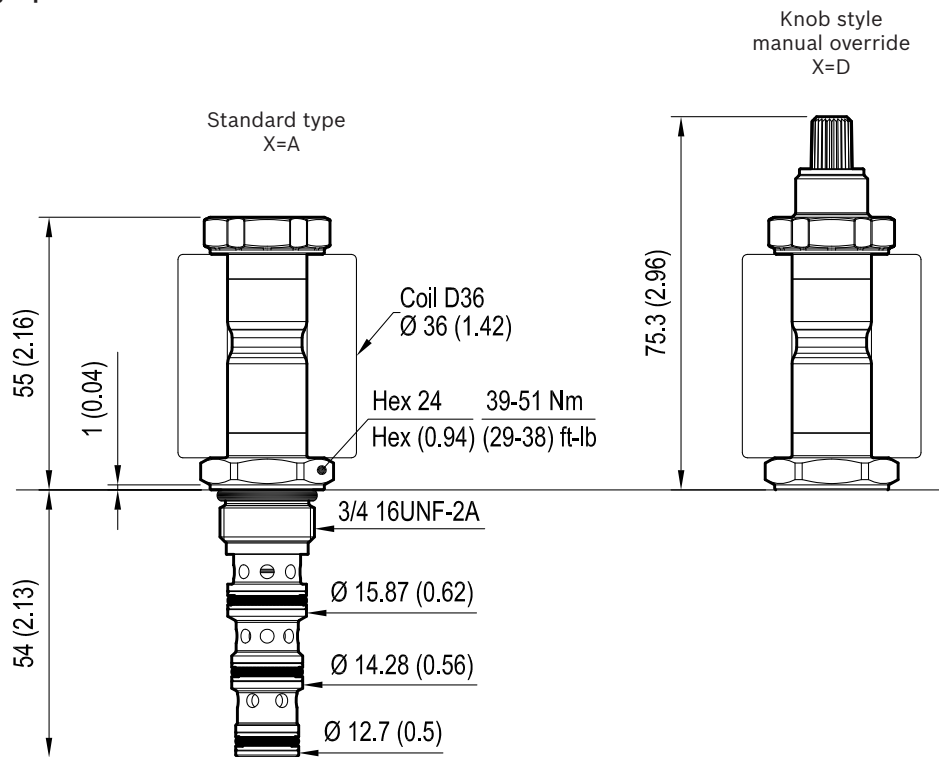
monodirectional type	bidirectional type
	40
	41

Technical data

Max. flow	20 l/min (5 gpm)*
Max. operating pressure for steel body	280 bar (4060 psi)
Max operating pressure for aluminium body	210 bar (3000 psi)
Ambient temperature range	-30 to 90 °C (-22 to 194 °F)
Fluids: Mineral-based or synthetics with lubricating properties at viscosities of 20 to 380 mm ² /s (cSt)	
MTTFd	150 years see RE 18350-51
To order manifold only, see data sheet RE 18325-85	
Other technical data	See data sheet 18350-50

* see performance graph on page 3

**Solenoid operated valves, direct acting
spool type 4-way 2-position**



Cartridge technical data

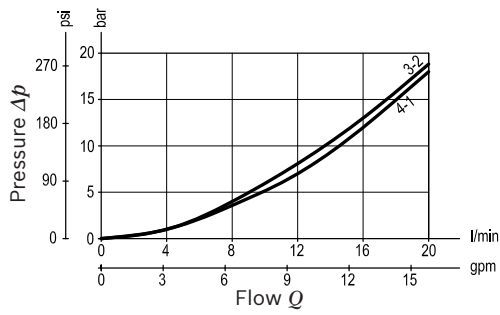
General	
Installation orientation	Unrestricted
Ambient temperature range	-30 to 90 °C (-22 to 194 °F)
Hydraulic	
Max. operating pressure	280 bar (4060 psi)
Flow range	up to 20 l/min (5 gpm)
Max. internal leakage	40 cm ³ /min. (2.4 cu.in./min.)
Fluid temperature range	-20 to 80 °C (-4 to 176 °F)
Fluids: Mineral-based or synthetics with lubricating properties at viscosities of 20 to 380 mm ² /s (cSt)	
Installation torque	39 - 51 Nm (29 - 38 ft-lbs)
Recommended degree of fluid contamination	Nominal value max. 10 µm (NAS 8) ISO 4406 19/17/14
MTTFd	150 years see RE 18350-51
Cavity	CA-08A-4N see data sheet 18325-70
Other technical data	See data sheet 18350-50

Electrical	
Type of voltage	DC voltage
Coil type	D36
Supply voltage	See data sheet 18325-90
Admitted voltage tolerance: -10%/+15% of nominal voltage at 60°C amb. T	
Power consumption	20 W
Type of protection	See data sheet 18325-90
Note: Coils must be ordered separately	

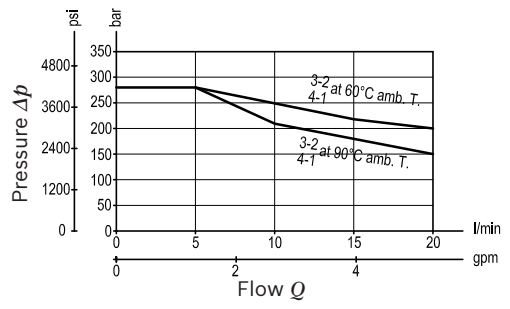
Characteristic curves

Version 40 Performance limits at 100% duty cycle

Pressure drop

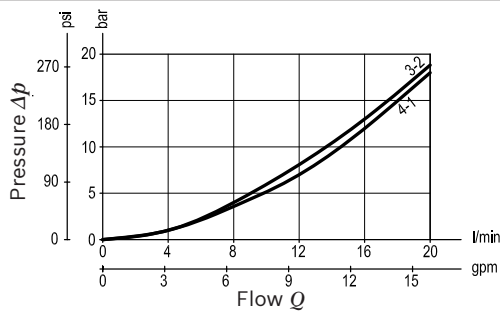


Performance limits at 100% duty cycle

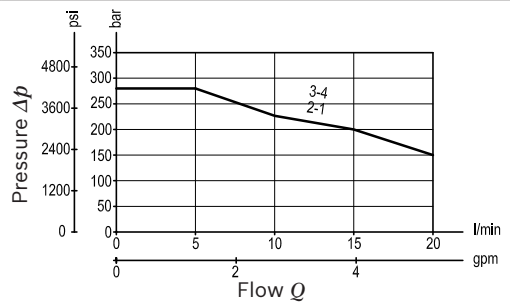


Version 41 Performance limits at 100% duty cycle at 90°C and 60°C amb. T.

Pressure drop



Performance limits at 100% duty cycle at 90°C and 60°C amb. T.



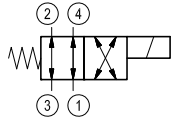
Minimum switching voltage for all versions and 100% ED	
Amb. T	Voltage required
60°C	-10% of V nominal
90°C	V nominal

Note: in case of need of performance limits at specific different working conditions, please consult factory.

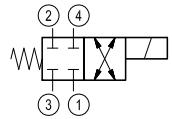
Ordering code

OS.14	K	58	X	Y	Z	W
--------------	----------	-----------	----------	----------	----------	----------

Solenoid operated valves
4-way 2-positions
Common cavity size 08
Cartridge style in manifold



40



41

Manifold material

00	Aluminium
S0	Steel

Manifold port sizes

09	G 1/4
02	G 3/8
55	9/16 18 UNF

Cartridge seals and accessories options

0 = With buna seal
V = With Viton seal

Cartridge options

A = Standard
D = Knob style manual override

Common cavity size 08

Bosch Rexroth Oil Control S.p.A.

Via Leonardo da Vinci 5
P.O. Box no. 5
41015 Nonantola – Modena, Italy
Tel. +39 059 887 611
Fax +39 059 547 848
compact-hydraulics-hic@boschrexroth.com
www.boschrexroth.com/compacthydraulics

© This document, as well as the data, specifications and other information set forth in it, are the exclusive property of Bosch Rexroth Oil Control S.p.a.. It may not be reproduced or given to third parties without its consent. The data specified above only serve to describe the product. No statements concerning a certain condition or suitability for a certain application can be derived from our information. The information given does not release the user from the obligation of own judgment and verification. It must be remembered that our products are subject to a natural process of wear and aging. Subject to change.