

Solenoid operated valves 3-way 2-positions Common cavity size 08 Cartridge style in manifold

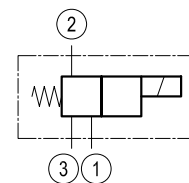
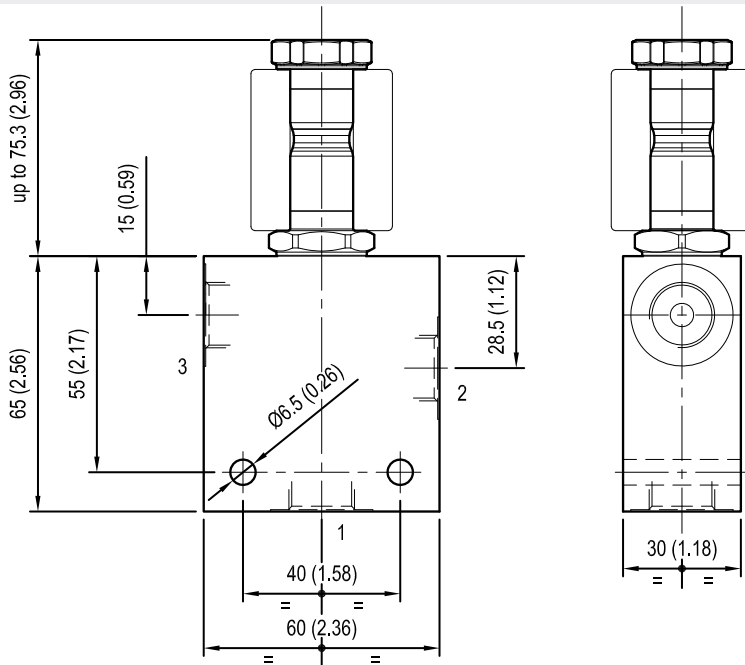
VED-CS-16-08A-32

OS.13 - K - 51 - X - Y - Z - W

RE 18331-67

Edition: 02.2019

Replaces: 12.2016



Cartridge schemes (K)

| monodirectional type | bidirectional type |
|----------------------|--------------------|
| | 10 |
| | 11 |
| | 20 |
| | 30 |

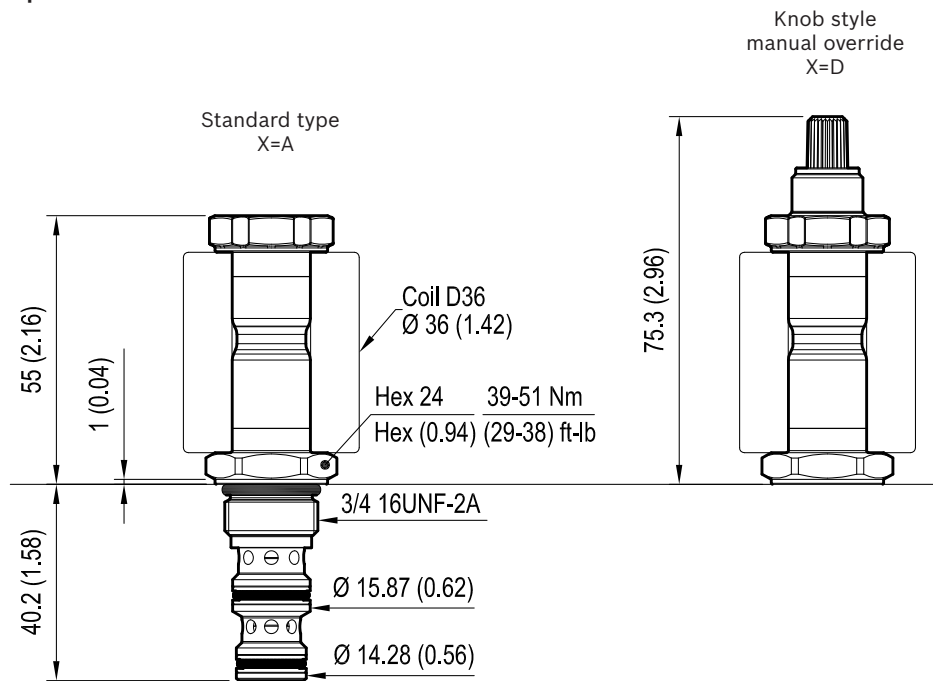
[mm (inches)]

Technical data

| | |
|--|------------------------------|
| Max. flow | 20 l/min (5 gpm)* |
| Max. operating pressure for steel body | 280 bar (4060 psi) |
| Max operating pressure for aluminium body | 210 bar (3000 psi) |
| Ambient temperature range | -30 to 90 °C (-22 to 194 °F) |
| Fluids: Mineral-based or synthetics with lubricating properties at viscosities of 20 to 380 mm ² /s (cSt) | |
| MTTFd | 150 years see RE 18350-51 |
| To order manifold only, see data sheet RE 18325-85 | |
| Other technical data | See data sheet 18350-50 |

* see performance graph on page 3

**Solenoid operated valves, direct acting
spool type 3-way 2-position**



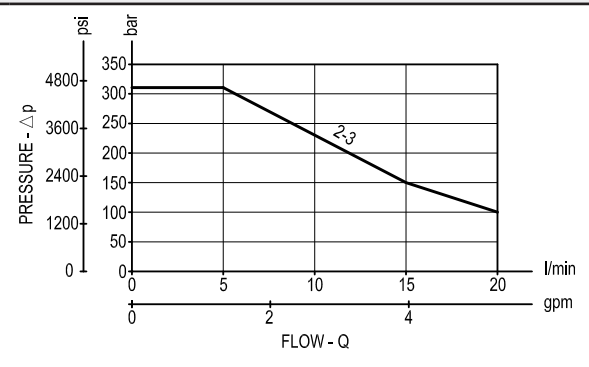
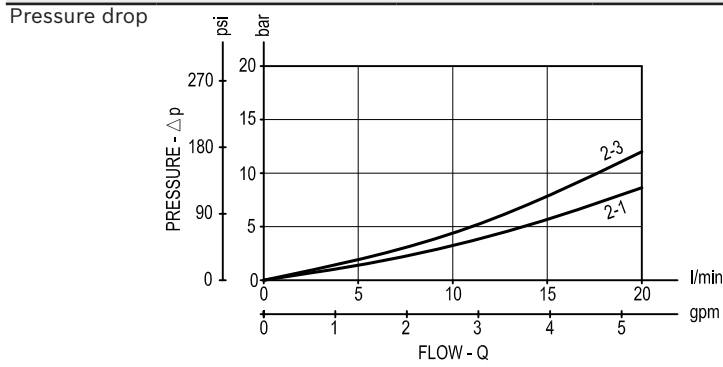
Cartridge technical data

| General | |
|--|--|
| Installation orientation | Unrestricted |
| Ambient temperature range | -30 to 90 °C (-22 to 194 °F) |
| Hydraulic | |
| Max. operating pressure | 280 bar (4060 psi) |
| Flow range | up to 20 l/min (5 gpm) |
| Max. internal leakage | 40 cm ³ /min. (2.4 cu.in./min.) |
| Fluid temperature range | -20 to 80 °C (-4 to 176 °F) |
| Fluids: Mineral-based or synthetics with lubricating properties at viscosities of 20 to 380 mm ² /s (cSt) | |
| Installation torque | 39 - 51 Nm (29 - 38 ft-lbs) |
| Recommended degree of fluid contamination | Nominal value max. 10 µm (NAS 8) ISO 4406 19/17/14 |
| MTTFd | 150 years see RE 18350-51 |
| Cavity | CA-08A-3N see data sheet 18325-70 |
| Other technical data | See data sheet 18350-50 |

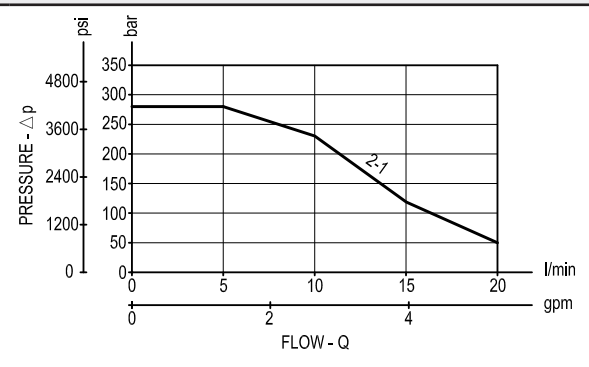
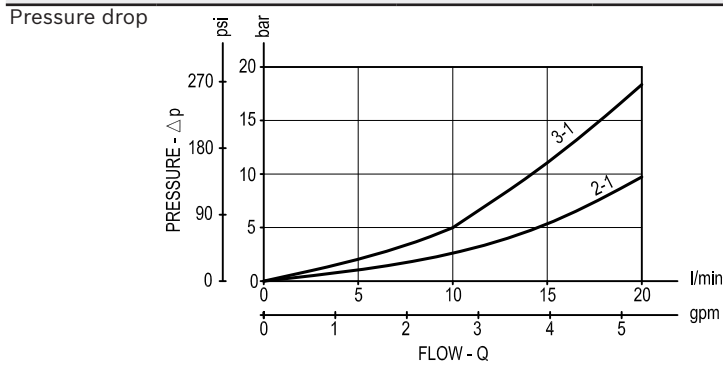
| Electrical | |
|---|-------------------------|
| Type of voltage | DC voltage |
| Coil type | D36 |
| Supply voltage | See data sheet 18325-90 |
| Admitted voltage tolerance: -10%/+15% of nominal voltage at 60°C amb. T | |
| Power consumption | 20 W |
| Type of protection | See data sheet 18325-90 |
| Note: Coils must be ordered separately | |

Characteristic curves

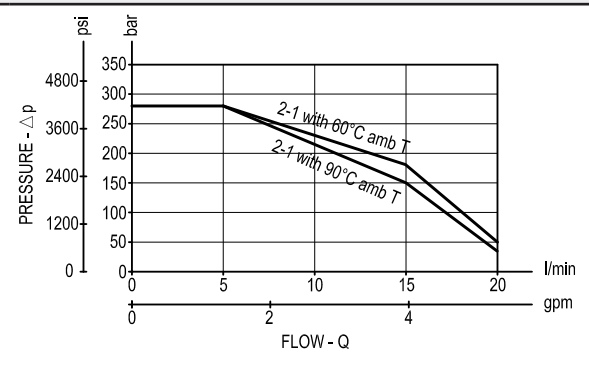
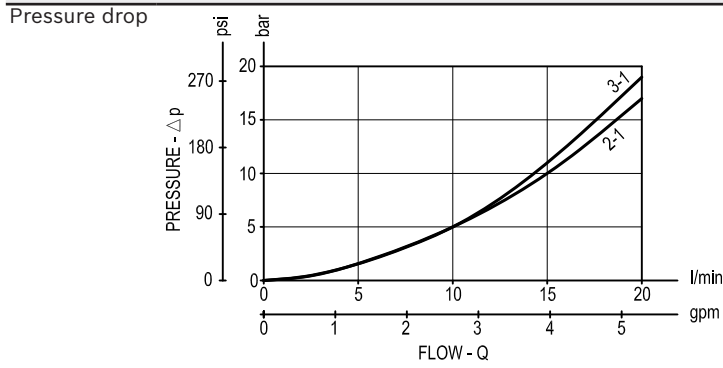
Version 10 Performance limits at 100% duty cycle with 90°C and 60°C amb. T



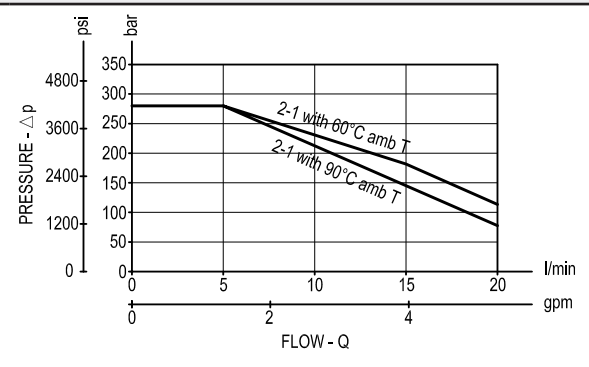
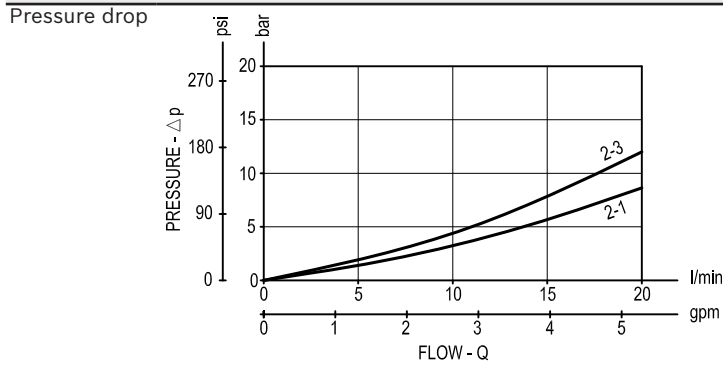
Version 20 Performance limits at 100% duty cycle with 90°C and 60°C amb. T



Version 30 Performance limits at 100% duty cycle



Version 11 Performance limits at 100% duty cycle



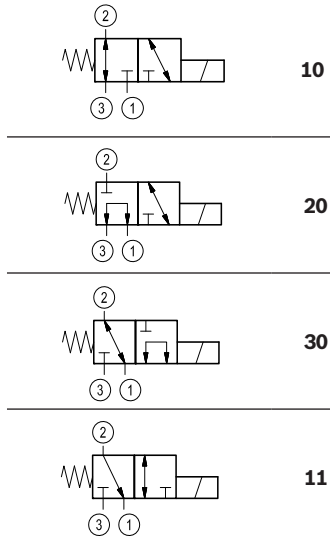
| Minimum switching voltage for all versions at 100% ED | |
|---|-------------------|
| Amb. T | Voltage required |
| 60°C | -10% of V nominal |
| 90°C | V nominal |

Note: in case of need of performance limits at specific different working conditions, please consult factory.

Ordering code

| | | | | | | |
|--------------|----------|-----------|----------|----------|----------|----------|
| OS.13 | K | 51 | X | Y | Z | W |
|--------------|----------|-----------|----------|----------|----------|----------|

Solenoid operated valves
3-way 2-positions
Common cavity size 08
Cartridge style in manifold



Manifold material

00 Aluminium

S0 Steel

Manifold port sizes

09 G 1/4

02 G 3/8

Cartridge seals and accessories options

0 = With buna seal

V = With Viton seal

Cartridge options

A = Standard

D = Knob style manual override

Common cavity size 08

Bosch Rexroth Oil Control S.p.A.

Via Leonardo da Vinci 5
P.O. Box no. 5
41015 Nonantola – Modena, Italy
Tel. +39 059 887 611
Fax +39 059 547 848
compact-hydraulics-hic@boschrexroth.com
www.boschrexroth.com/compacthydraulics

© This document, as well as the data, specifications and other information set forth in it, are the exclusive property of Bosch Rexroth Oil Control S.p.a.. It may not be reproduced or given to third parties without its consent. The data specified above only serve to describe the product. No statements concerning a certain condition or suitability for a certain application can be derived from our information. The information given does not release the user from the obligation of own judgment and verification. It must be remembered that our products are subject to a natural process of wear and aging. Subject to change.