

Solenoid operated valves pilot operated poppet type 2-way normally open Common cavity, Size 10

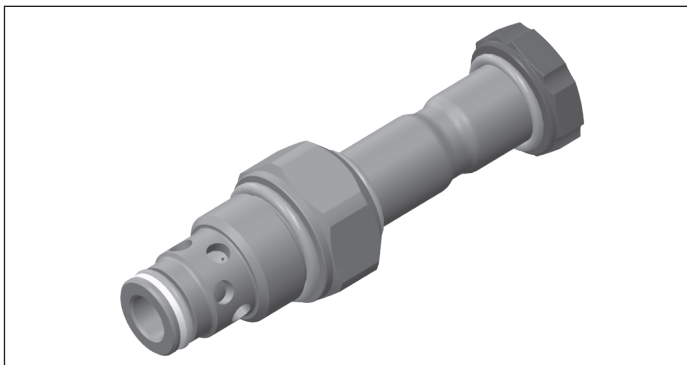
VEI-16-10A-NA

OD.15 - X - 36 - Y - Z - 00

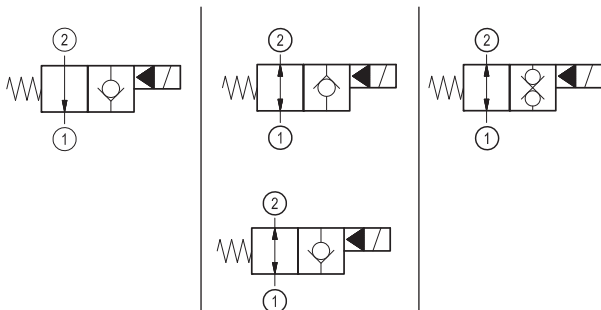
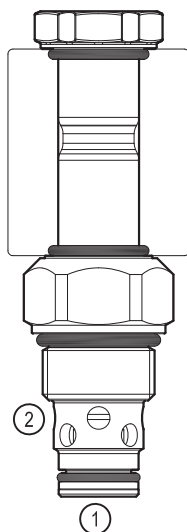
RE 18323-33

Edition: 04.2021

Replaces: 06.2019



PATENT PENDING



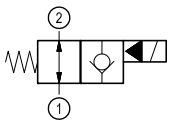
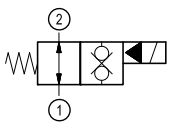
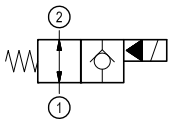
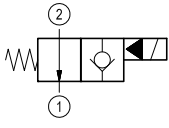
Technical data

New VEI-16 family incorporates a new solenoid concept providing excellent performance and enables cartridges to work in severe environment. Cartridges also incorporates advanced design of hydraulic parts providing excellent hydraulic performance.

Technical data

General	
Weight	0.16 kg (0.35 lbs)
Installation orientation	Unrestricted
Storage ambient temperature range	-40 to 100 °C (-40 to 212 °F)
Operating ambient temperature range	-30 to 90 °C (-22 to 194 °F)
Hydraulic	
Max. operating pressure	350 bar (5000 psi)
Flow range	2 - 70 l/min (0.53 - 18 gpm)
Fatigue cycle life	2 million cycles at 350 bar
Max. internal leakage	5 drops/min. for X=02,06 20 drops/min. for X=04,32
Switching time	Opening ≤ 50 ms Closing ≤ 100 ms
Fluid temperature range	-20 to 80 °C (-4 to 176 °F)
Fluids: Mineral-based or synthetics with lubricating properties at viscosities of 20 to 380 mm ² /s (cSt)	
Installation torque	44 - 56 Nm (33 - 41 ft-lbs)
Recommended degree of fluid contamination	Nominal value max. 10 µm (NAS 8) ISO 4406 19/17/14
MTTFd	150 years see RE 18350-51
Cavity	CA-10A-2N see 18325-70
Seal kit for X=02,06	code RG10A2010520100 material no. R901111363
Seal kit for X=04,32	code RG10A2010530100 material no. R901111366
Seal kit coil and standard cap	code RG02Z0010000100 material no. R930067869
Seal kit coil and protective cap only for Y=B	code RG03Z0010000100 material no. R930067870
Seal kit coil and protective cap only for Y=C	code RG04Z0010000100 material no. R930069171
Other technical data	See data sheet 18350-50
Electrical	
Type of voltage	DC voltage
Coil type	D36
Supply voltage	See data sheet 18325-90
Voltage tolerance against ambient temperature	See characteristic curve
Power consumption	20 W
Type of protection	See data sheet 18325-90
Note: Coils must be ordered separately	

Ordering code

OD.15	X	36	Y	Z	0000	*
Solenoid operated valves pilot operated poppet type 2-way normally open						Series O/A to L unchanged performances and dimensions
bidirectional type 						0 = With buna seal V = With Viton seal P = With buna seal and protective cap for override version B and C T = With Viton seal and protective cap for override version B and C
bidirectional type 						
bidirectional type 						
monodirectional type 						
						A = Standard B = Push style manual override C = Push and twist style manual override
						Common cavity: CA-10A-2N

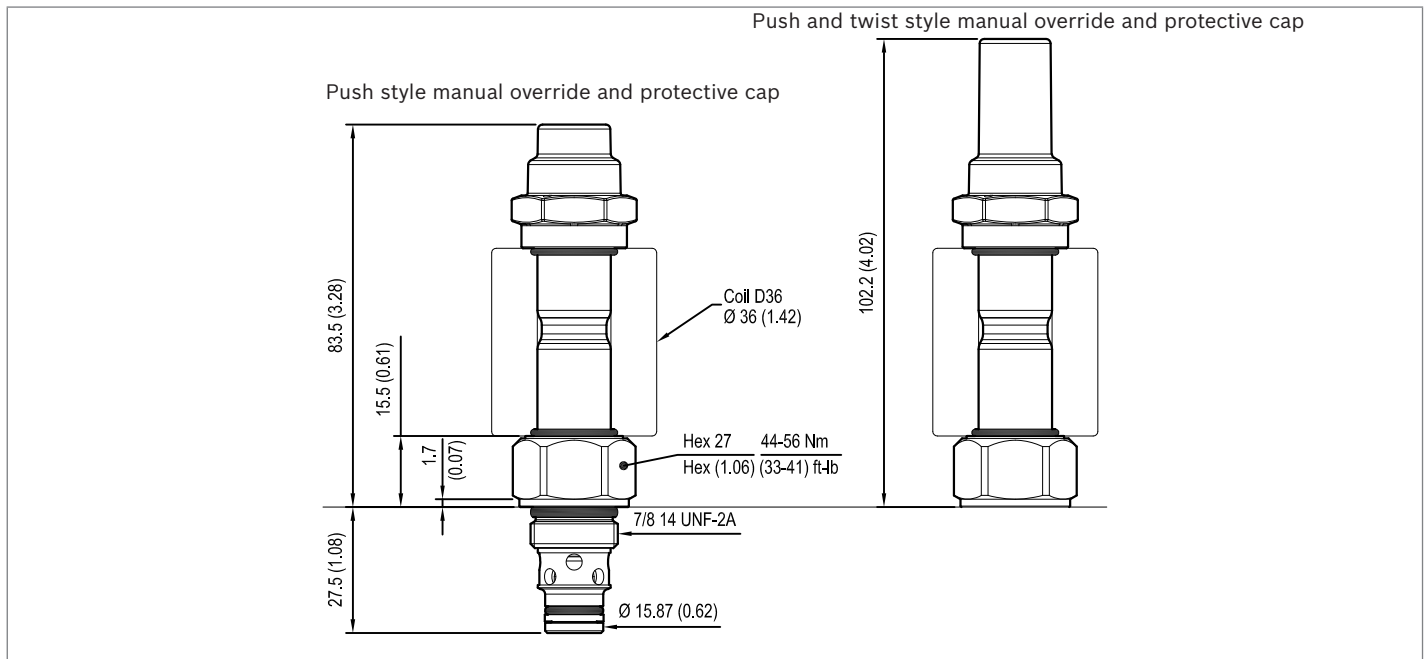
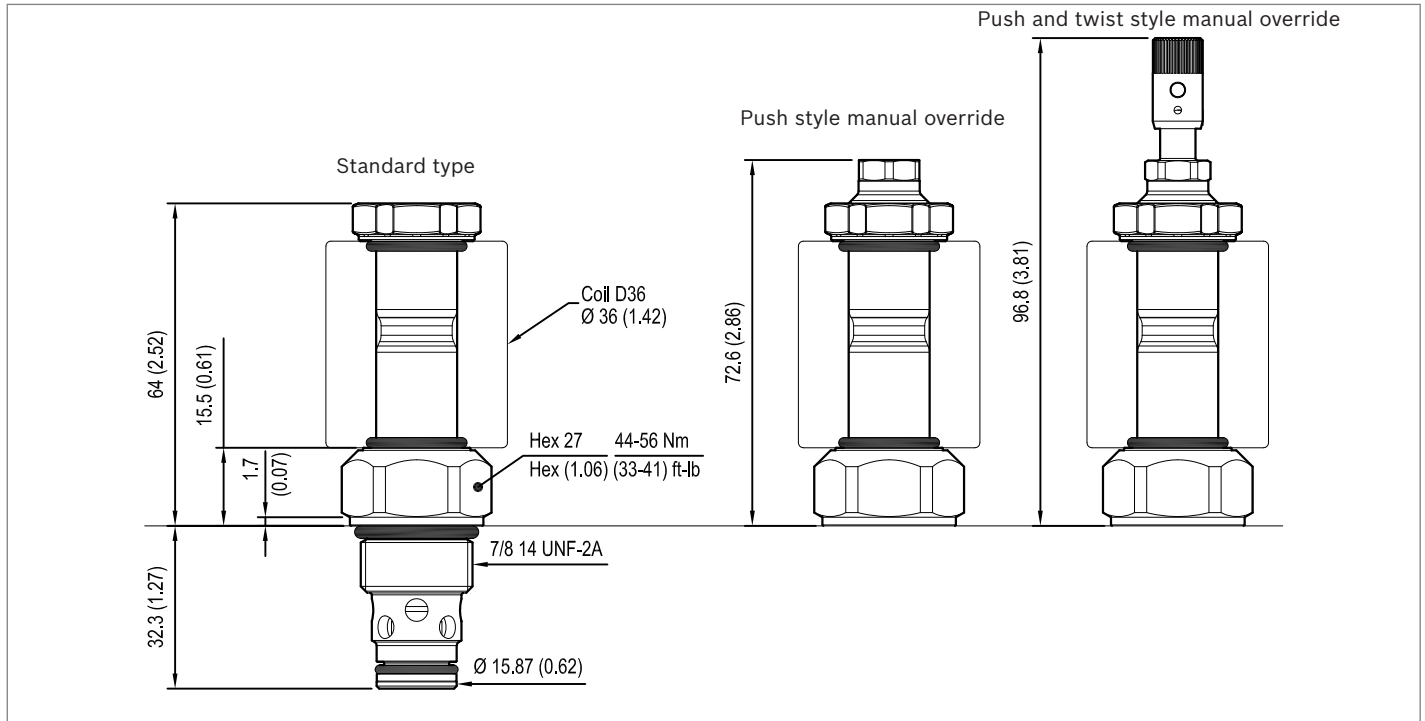
Preferred types

Type	Material number
OD150636A000000	R930061730
OD150636B000000	R930062932
OD150636C000000	R930062933
OD150636BP00000	R930062936
OD150636CP00000	R930062937
OD150436A000000	R930065692
OD150436C000000	R930067899
OD153236A000000	R930067586

Type	Material number
OD153236B000000	R930067589
OD153236C000000	R930067587
OD150236B000000	R930062934
OD150236BP00000	R930062938
OD150236C000000	R930062935
OD150236CP00000	R930062939

Dimensions

Solenoid operated valves, poppet 2-way normally open

**Bosch Rexroth Oil Control S.p.A.**

Via Leonardo da Vinci 5
P.O. Box no. 5
41015 Nonantola – Modena, Italy
Tel. +39 059 887 611
Fax +39 059 547 848
compact-hydraulics-cv@boschrexroth.com
www.boschrexroth.com/compacthydraulics

© This document, as well as the data, specifications and other information set forth in it, are the exclusive property of Bosch Rexroth Oil Control S.p.a.. It may not be reproduced or given to third parties without its consent. The data specified above only serve to describe the product. No statements concerning a certain condition or suitability for a certain application can be derived from our information. The information given does not release the user from the obligation of own judgment and verification. It must be remembered that our products are subject to a natural process of wear and aging. Subject to change.