

Solenoid operated valves pilot operated poppet type
2-way normally open
Special cavity, 019-E

VEI-16-08S-NA

OD.15 - X - 19 - Y - Z-00

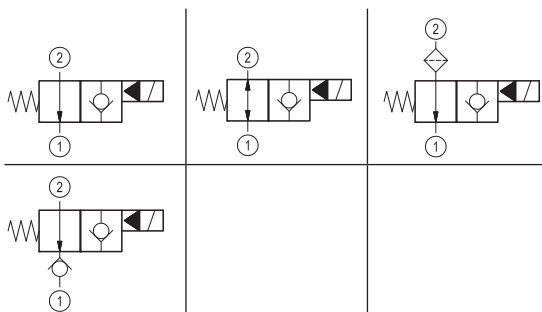
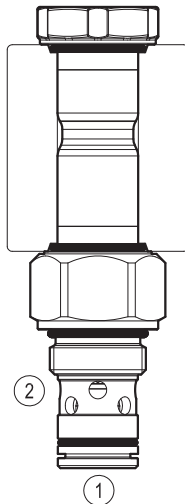
RE 18323-28

Edition: 07.2021

Replaces: 03.2020



PATENT PENDING



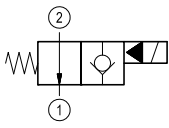
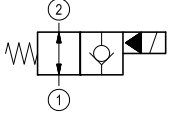
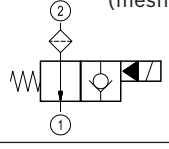
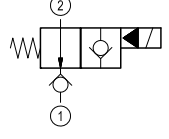
Technical data

New VEI-16 family incorporates a new solenoid concept providing excellent performance and enables cartridges to work in severe environment. Cartridges also incorporates advanced design of hydraulic parts providing excellent hydraulic performance.

Technical data

General	
Weight	0.15 kg (0.33 lbs)
Installation orientation	Unrestricted
Storage ambient temperature range	-40 to 100 °C (-40 to 212 °F)
Operating ambient temperature range	-30 to 90 °C (-22 to 194 °F)
Salt spray test to DIN EN ISO 9227:2017-07	500h
Hydraulic	
Max. operating pressure	350 bar (5000 psi)
Flow range	0.5 - 40 l/min (0.1 - 11 gpm)
Fatigue cycle life	2 million cycles at 350 bar 150000 cycles at 420 bar
Max. internal leakage	5 drops/min.
Switching time	Closing ≤ 100 ms Opening ≤ 30 ms
Fluid temperature range	-20 to 80 °C (-4 to 176 °F)
Fluids: Mineral-based or synthetics with lubricating properties at viscosities of 20 to 380 mm ² /s (cSt)	
Installation torque	35 - 43 Nm (26 - 32 ft-lbs)
Recommended degree of fluid contamination	Nominal value max. 10 µm (NAS 8) ISO 4406 19/17/14
MTTFD	150 years see RE 18350-51
Special cavity	019-E see 18325-75
Seal kit for X=02,06,08	code material no. RG19E201052010 R934003560
Seal kit for X=12	code material no. RG19E201053010 R934003561
Seal kit coil and standard cap	code material no. RG02Z0010000100 R930067869
Seal kit coil and protective cap only for Y=B	code material no. RG03Z0010000100 R930067870
Seal kit coil and protective cap only for Y=C	code material no. RG04Z0010000100 R930069171
Other technical data	See data sheet 18350-50
Electrical	
Type of voltage	DC voltage
Coil type	D36
Supply voltage	See data sheet 18325-90
Voltage tolerance against ambient temperature	See characteristic curve
Power consumption	20 W
Type of protection	See data sheet 18325-90
Note: Coils must be ordered separately	

Ordering code

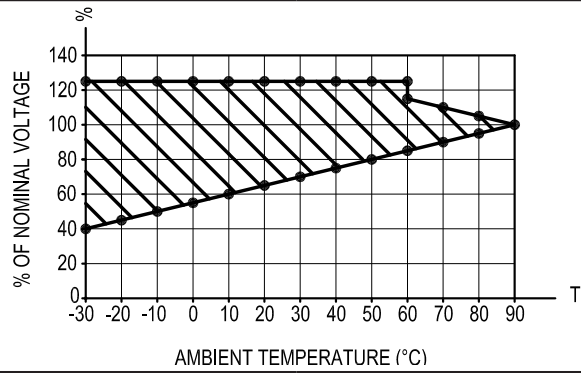
	OD.15	X	19	Y	Z	0000	*
<p>Solenoid operated valves pilot operated poppet type 2-way normally open</p>	<p>Series O/A to L unchanged performances and dimensions</p>						
<p>monodirectional type</p>  <p style="text-align: right;">02</p>	<p>0 = With buna seal V = With Viton seal P = With buna seal and protective cap for override version B and C T = With Viton seal and protective cap for override version B and C</p> <p>A = Standard B = Push style manual override C = Push and twist style manual override</p>						
<p>bidirectional type</p>  <p style="text-align: right;">06</p>							
<p>monodirectional type with filter (mesh= 300 µm)</p>  <p style="text-align: right;">08</p>							
<p>monodirectional type with check</p>  <p style="text-align: right;">12</p>							
<p>Special cavity: 019-E</p>							

Type	Material number
OD150619A000000	R930058434
OD150619B000000	R930058437
OD150819A000000	R930058426
OD150819B000000	R930060936
OD150219A000000	R930060915

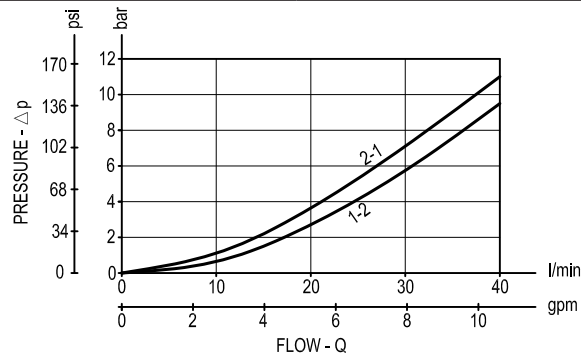
Type	Material number
OD150219B000000	R930060917
OD151219A000000	R930060944
OD151219B000000	R930060946

Characteristic curves

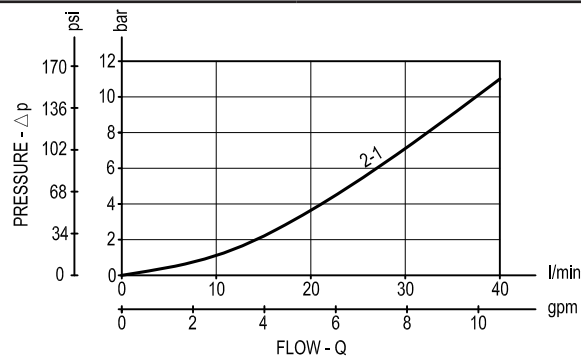
All Versions - Admissible supply voltage Vs. Ambient temperature at 100% duty cycle



Version 02-06-08

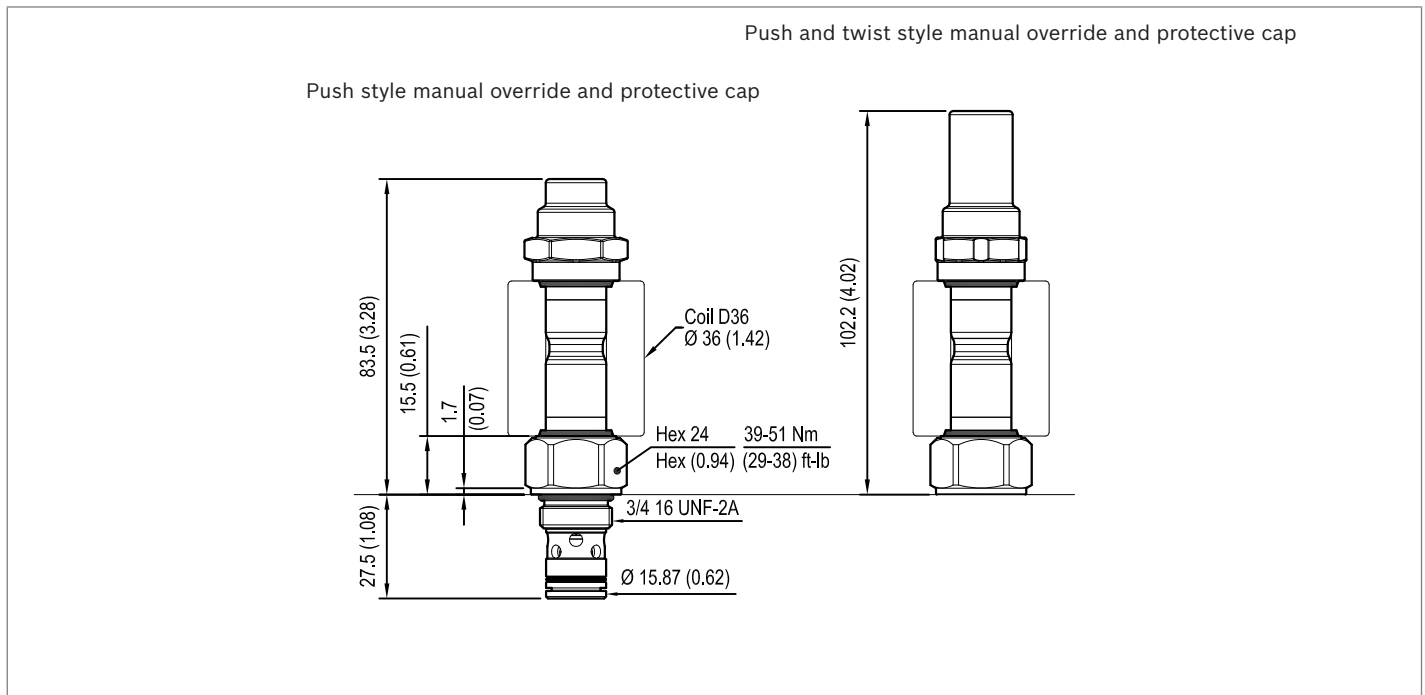
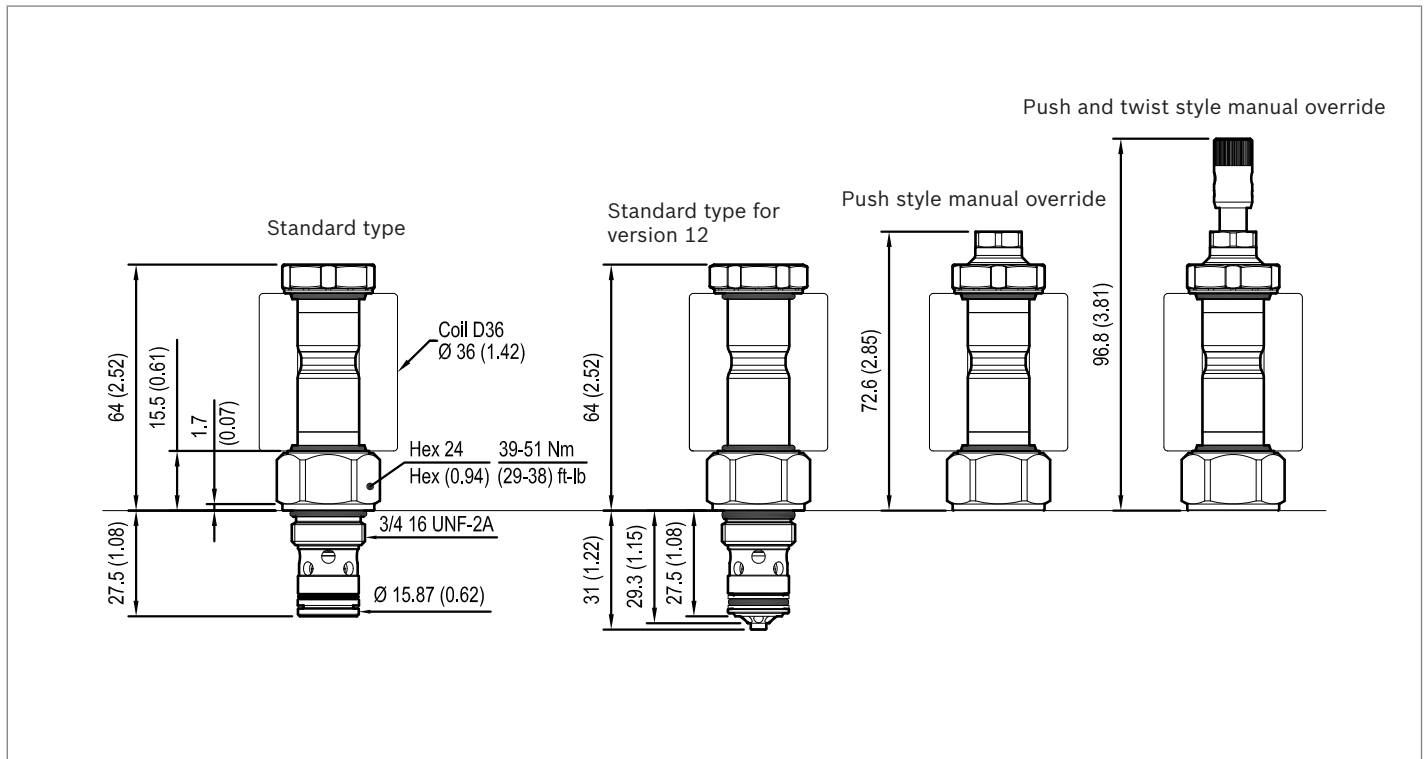


Version 12



Dimensions

Solenoid operated valves, poppet 2-way normally open



Bosch Rexroth Oil Control S.p.A.
 Via Leonardo da Vinci 5
 P.O. Box no. 5
 41015 Nonantola – Modena, Italy
 Tel. +39 059 887 611
 Fax +39 059 547 848
 compact-hydraulics-cv@boschrexroth.com
 www.boschrexroth.com/compacthydraulics

© This document, as well as the data, specifications and other information set forth in it, are the exclusive property of Bosch Rexroth Oil Control S.p.a.. It may not be reproduced or given to third parties without its consent. The data specified above only serve to describe the product. No statements concerning a certain condition or suitability for a certain application can be derived from our information. The information given does not release the user from the obligation of own judgment and verification. It must be remembered that our products are subject to a natural process of wear and aging. Subject to change.