

Solenoid operated valves pilot operated poppet type  
2-way normally open  
Common cavity, Size 08

VEI-16-08A-NA

OD.15 - X - 18 - Y - Z - 00

**RE 18323-26**

Edition: 07.2021

Replaces: 03.2020



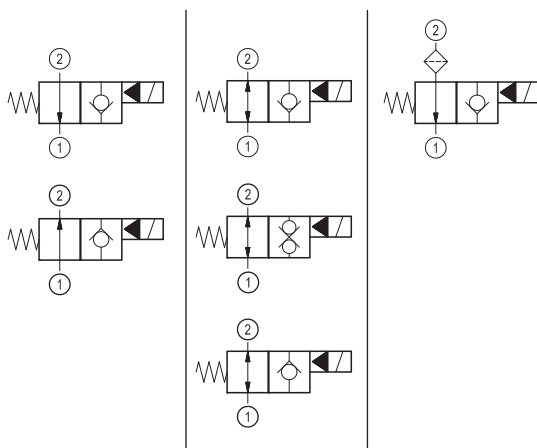
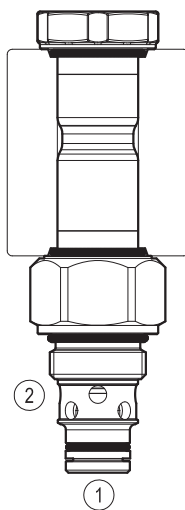
**Technical data**

New VEI-16 family incorporates a new solenoid concept providing excellent performance and enables cartridges to work in severe environment. Cartridges also incorporates advanced design of hydraulic parts providing excellent hydraulic performance.

**Technical data**

General		
Weight	0.15 kg (0.33 lbs)	
Installation orientation	Unrestricted	
Storage ambient temperature range	-40 to 100 °C (-40 to 212 °F)	
Operating ambient temperature range	-30 to 90 °C (-22 to 194 °F)	
Salt spray test to DIN EN ISO 9227:2017-07	500h	
Hydraulic		
Max. operating pressure	350 bar (5000 psi)	
Flow range	0.5 - 40 l/min (0.1 - 11 gpm)	
Fatigue cycle life	2 million cycles at 350 bar 150000 cycles at 420 bar	
Max. internal leakage:	5 drops/min. for X= 02,06,08 20 drops/min. for X= 32,10,04	
Switching time	Closing ≤ 100 ms Opening ≤ 30 ms	
Fluid temperature range	-20 to 80 °C (-4 to 176 °F)	
Fluids: Mineral-based or synthetics with lubricating properties at viscosities of 20 to 380 mm <sup>2</sup> /s (cSt)		
Installation torque	35 - 43 Nm (26 - 32 ft-lbs)	
Recommended degree of fluid contamination	Nominal value max. 10 µm (NAS 8) ISO 4406 19/17/14	
MTTFd	150 years see RE 18350-51	
Cavity	CA-08A-2N see 18325-70	
Seal kit for X=02,06,08	code	RG08A2010520100
	material no.	R901101437
Seal kit for X=32,10,04	code	RG08A2010530100
	material no.	R901101544
Seal kit coil and standard cap	code	RG02Z0010000100
	material no.	R930067869
Seal kit coil and protective cap only for Y=B	code	RG03Z0010000100
	material no.	R930067870
Seal kit coil and protective cap only for Y=C	code	RG04Z0010000100
	material no.	R930069171
Other technical data	See data sheet 18350-50	
Electrical		
Type of voltage	DC voltage	
Coil type	D36	
Supply voltage	See data sheet 18325-90	
Voltage tolerance against ambient temperature	See characteristic curve	
Power consumption	20 W	
Type of protection	See data sheet 18325-90	
Note: Coils must be ordered separately		

PATENT PENDING



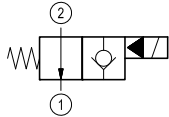
**Ordering code**

<b>OD.15</b>	<b>X</b>	<b>18</b>	<b>Y</b>	<b>Z</b>	<b>0000</b>	<b>*</b>
--------------	----------	-----------	----------	----------	-------------	----------

Solenoid operated valves  
pilot operated poppet type  
2-way normally open

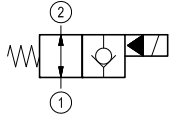
Series O/A to L  
unchanged performances and dimensions

monodirectional type



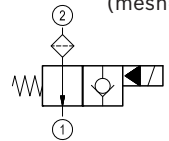
**02**

bidirectional type



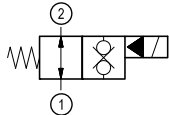
**06**

monodirectional type with filter  
(mesh= 300 µm)



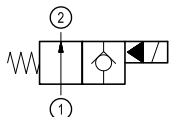
**08**

bidirectional type



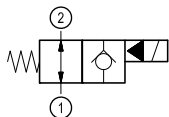
**32**

monodirectional type



**10**

bidirectional type



**04**

**0** = With buna seal  
**V** = With Viton seal  
**P** = With buna seal and protective cap for override version **B** and **C**  
**T** = With Viton seal and protective cap for override version **B** and **C**

**A** = Standard  
**B** = Push style manual override  
**C** = Push and twist style manual override

Common cavity: CA-08A-2N

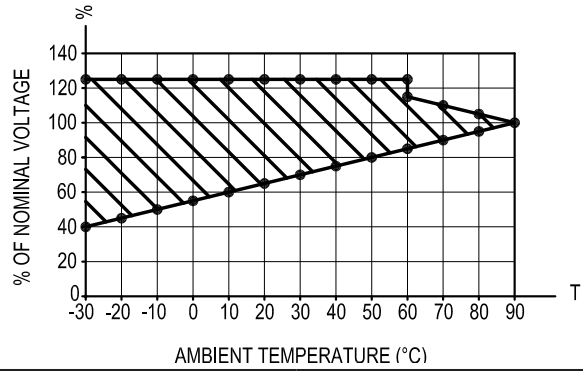
**Preferred types**

Type	Material number
OD150218A000000	R930059442
OD150218B000000	R930060895
OD150218BP00000	R930060113
OD150218C000000	R930060584
OD150218CP00000	R930060090
OD150618A000000	R930058435
OD150618B000000	R930058438
OD150618C000000	R930060128
OD150818A000000	R930058337
OD150818B000000	R930058340
OD150818C000000	R930060583

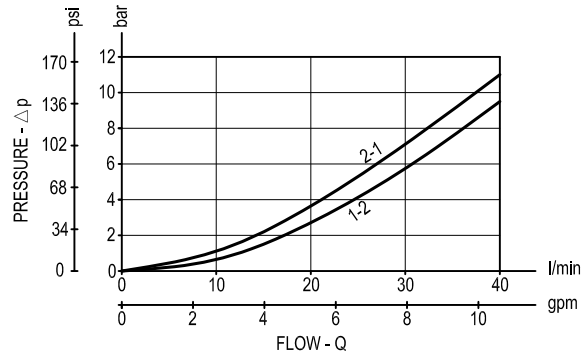
Type	Material number
OD153218A000000	R930064101
OD153218B000000	R930063422
OD153218C000000	R930065002
OD150418A000000	R930065329
OD150418B000000	R930066184
OD150418C000000	R930066185
OD150618CP00000	R930060905
OD153218CP00000	R930065328
OD151018B000000	R930066186
OD151018C000000	R930066187
OD150618AV00000	R930060900

Characteristic curves

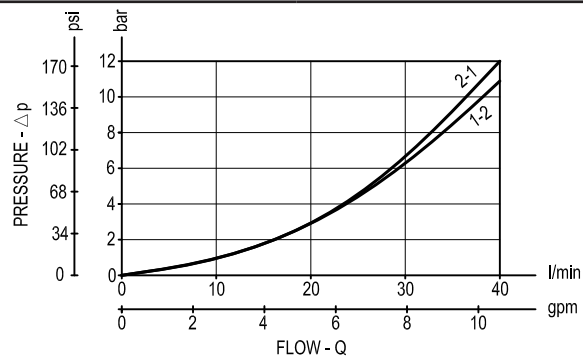
All Versions - Admissible supply voltage Vs. Ambient temperature at 100% duty cycle



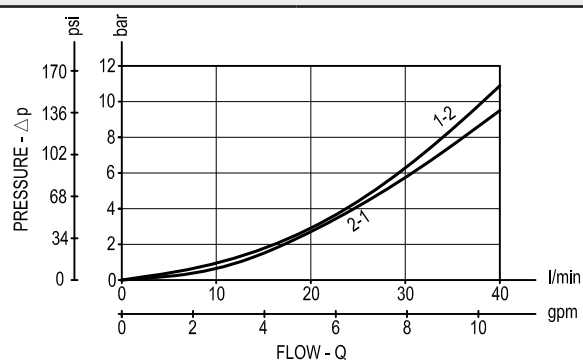
Versions 02, 06, 08



Version 32

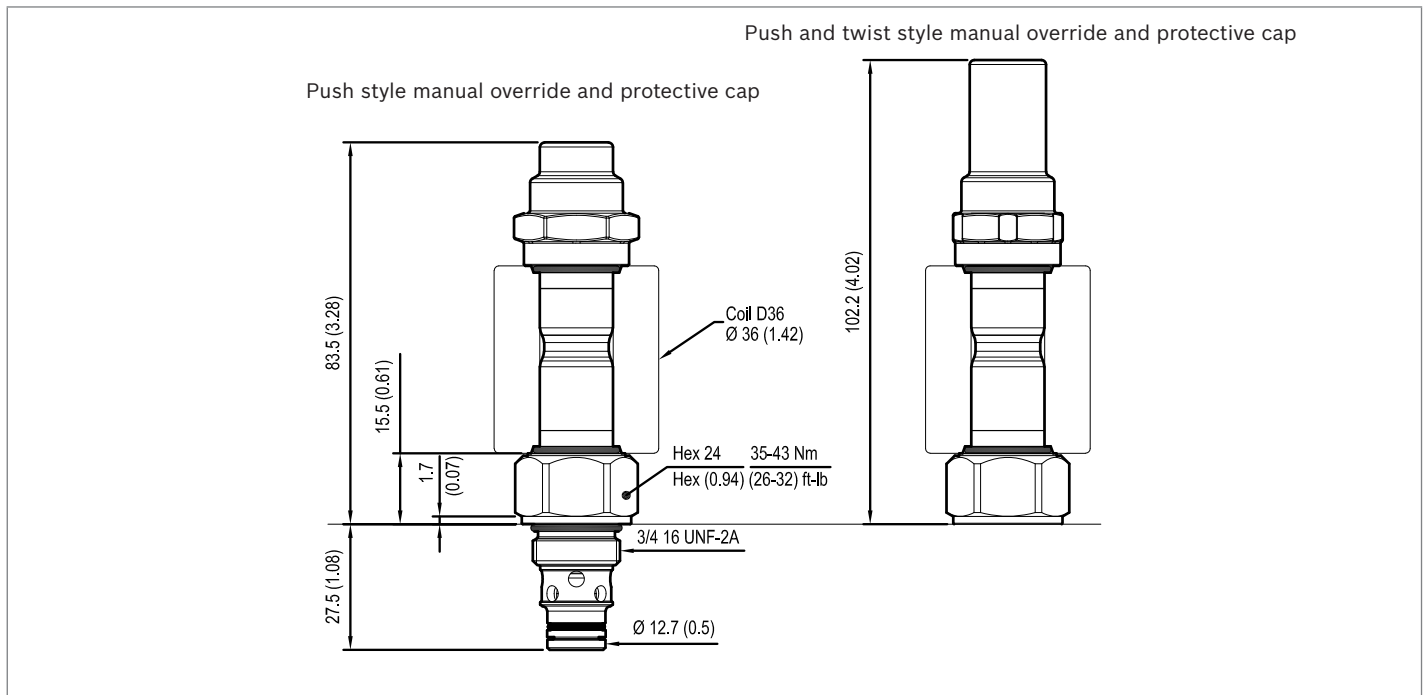
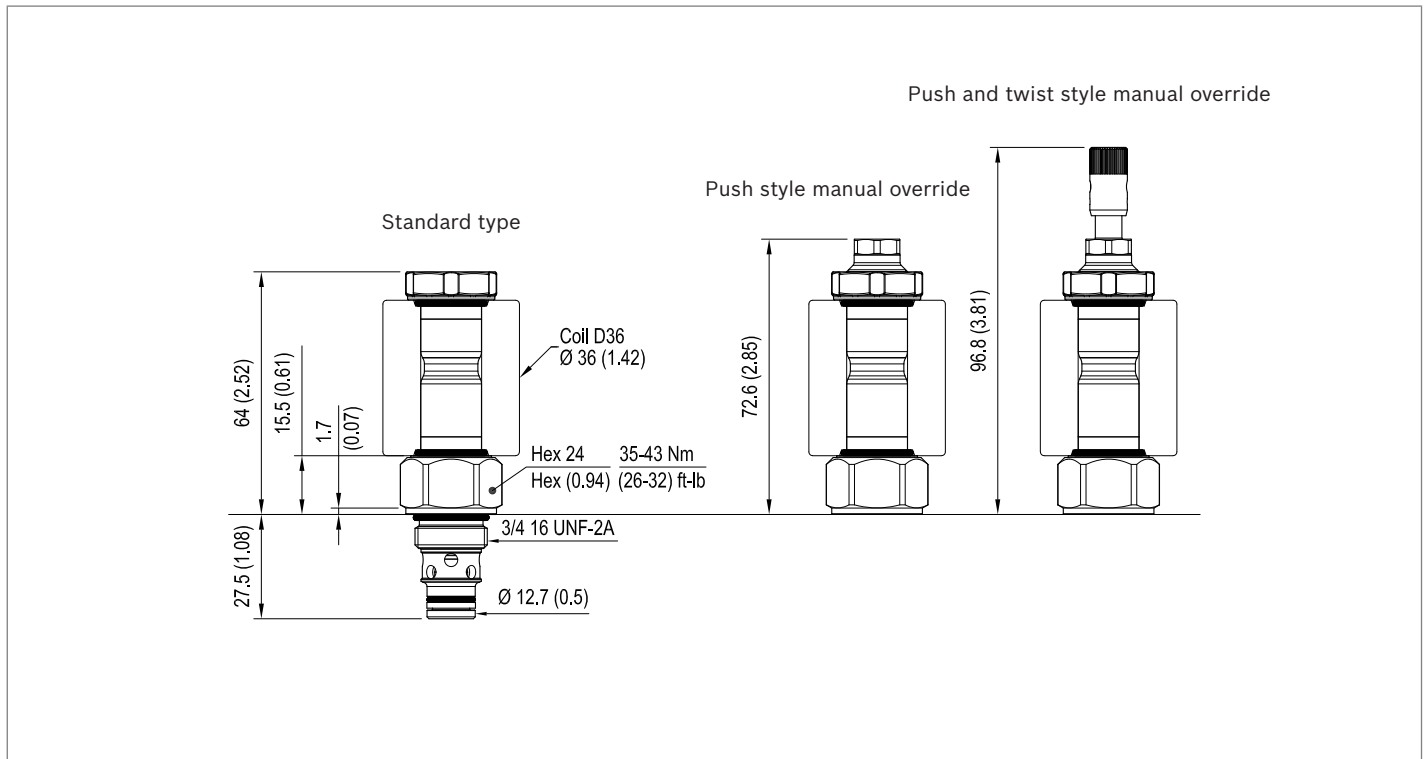


Version 04, 10



**Dimensions**

**Solenoid operated valves, poppet 2-way normally open**



**Bosch Rexroth Oil Control S.p.A.**  
 Via Leonardo da Vinci 5  
 P.O. Box no. 5  
 41015 Nonantola – Modena, Italy  
 Tel. +39 059 887 611  
 Fax +39 059 547 848  
 compact-hydraulics-cv@boschrexroth.com  
 www.boschrexroth.com/compacthydraulics

© This document, as well as the data, specifications and other information set forth in it, are the exclusive property of Bosch Rexroth Oil Control S.p.a.. It may not be reproduced or given to third parties without its consent. The data specified above only serve to describe the product. No statements concerning a certain condition or suitability for a certain application can be derived from our information. The information given does not release the user from the obligation of own judgment and verification. It must be remembered that our products are subject to a natural process of wear and aging. Subject to change.