

Relief, direct acting guided
poppet type
Special cavity, 019-E

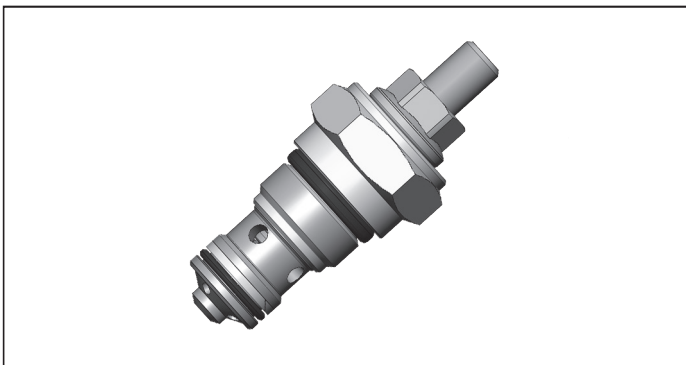
VSBN-08S

04.11.69 - X - 56 - Z

RE 18318-40

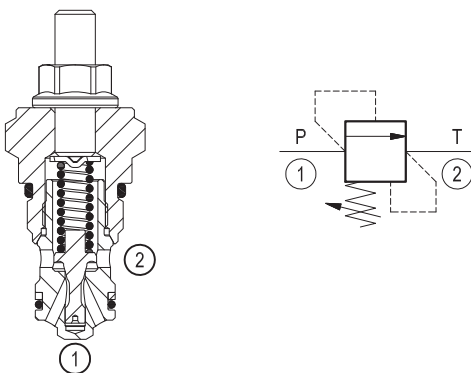
Edition: 01.2019

Replaces: 08.2018



Description

Flow is blocked from 1 to 2 until pressure increases to meet the selected valve setting, lifting the poppet from its seat and allowing relief flow through port 2 to tank. Pressure at port 2 is additive to the relief setting of the valve. The unique Bosch Rexroth Oil Control poppet design provides enhanced stability at all flows and pressures.

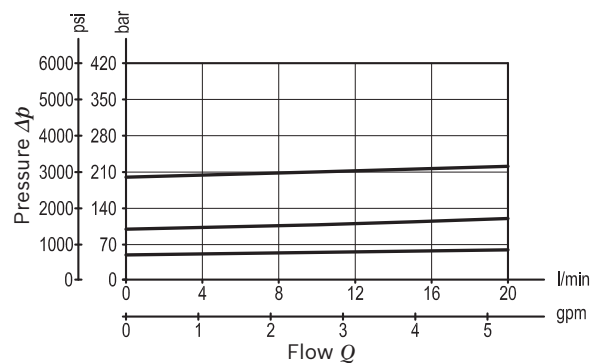


Technical data

Max. operating pressure port 1 (P)	350 bar (5000 psi)
Max. pressure admitted port 2 (T)	140 bar (2000 psi)
Max. flow	20 l/min (5.3 gpm)
Max. internal leakage ¹⁾	15 drops/min.
Fluid temperature range	-30 to 100 °C (-22 to 212 °F)
Installation torque	34 - 41 Nm (25 - 30 ft-lbs)
Weight ²⁾	0.09 kg (0.2 lbs)
Special cavity	019-E (see data sheet 18325-75)
Lines bodies and standard assemblies	Please refer to section "Hydraulic integrated circuit" or consult factory
MTTFd	150 years see data sheet 18350-51
Seal kit ²⁾	Code: RG08S2010520100 material no: R930007654
Fluids	Mineral-based or synthetics with lubricating properties at viscosities of 10 to 500 mm ² /s (cSt)
Recommended degree of fluid contamination	Nominal value max. 10µm (NAS 8) / ISO 4406 20/18/15
Installation position	No restrictions
Other Technical Data	See data sheet 18350-50

- 1) Max. to 80% of nominal setting
- 2) Only external seals for 10 valves

Characteristic curve



Ordering code

04.11.69	X	56	Z	00	*
-----------------	----------	-----------	----------	-----------	----------

Relief, direct acting guided poppet type

Adjustments

03 Leakproof hex. socket screw

56 Special cavity, 019-E

Series 0/A to L unchanged performances and dimensions

Version and options standard

	SPRINGS		
	Adj. press. range bar (psi)	Pressure increase bar/turn (psi/turn)	Std. setting bar (psi) Q=1 l/min
05	* 10-55 (145-798)	26 (375)	50 (725)
10	35-100 (500-1450)	50 (725)	100 (1450)
20	90-250 (1305-3625)	79 (1145)	200 (2900)
35	175-350 (2500-5000)	170 (2465)	350 (5000)

Note: Special settings available. Contact factory authorized representative for ordering code.

* minimum pressure setting intended with Q=5 l/min.

Preferred types

Type	Material number
04116903560500A	R930053564
04116903561000A	R930053569
04116903562000A	R930053574

Type	Material number
04116903563500A	R930070582

Dimensions

Leakproof hex. socket screw

OPTION
 Tamper resistant cap
 ordering code R3897CA254
 Mat. no. R932007020

Bosch Rexroth Oil Control S.p.A.

Via Leonardo da Vinci 5
 P.O. Box no. 5
 41015 Nonantola – Modena, Italy
 Tel. +39 059 887 611
 Fax +39 059 547 848
 compact-hydraulics-cv@boschrexroth.com
 www.boschrexroth.com/compacthydraulics

© This document, as well as the data, specifications and other information set forth in it, are the exclusive property of Bosch Rexroth Oil Control S.p.a.. It may not be reproduced or given to third parties without its consent. The data specified above only serve to describe the product. No statements concerning a certain condition or suitability for a certain application can be derived from our information. The information given does not release the user from the obligation of own judgment and verification. It must be remembered that our products are subject to a natural process of wear and aging. Subject to change.