

Counterbalance, relief compensated  
poppet type differential area, counterclockwise adjustment  
Sun cavity interchange, T-19A

VBSP-25U-RS

04.54.18 - X - 50 - Z

**RE 18320-30**

Edition: 02.2019

Replaces: 03.2016



**Technical data**

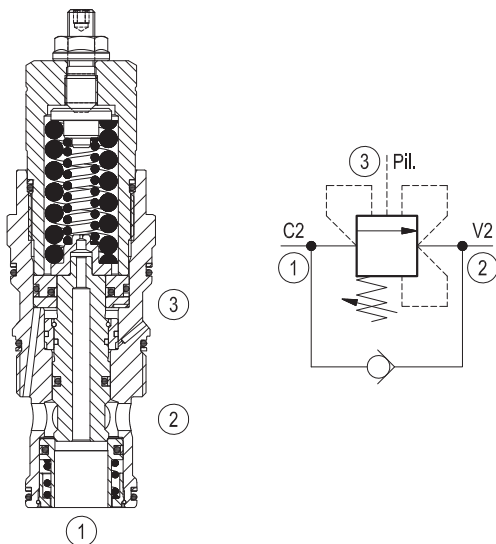
Max. operating pressure	420 bar (6000 psi)
Max. flow	480 l/min (127 gpm)
Max. internal leakage <sup>1)</sup>	15 drops/min.
Fluid temperature range	-30 to 100 °C (-22 to 212 °F)
Installation torque	475 - 500 Nm (352 - 370 ft-lbs)
Weight	1.7 kg (3.7 lbs)
Cavity	SUN T-19A
Lines bodies and standard assemblies	Please refer to section "Hydraulic integrated circuit" or consult factory
Seal kit <sup>2)</sup>	Code: RG25U9020110100 material no: R930006268
Fluids	Mineral-based or synthetics with lubricating properties at viscosities of 10 to 500 mm <sup>2</sup> /s (cSt)
Recommended degree of fluid contamination	Nominal value max. 10µm (NAS 8) / ISO 4406 19/17/14
Installation position	No restrictions
Other Technical Data	See data sheet 18350-50

Pressure setting: at least 1.3 times the load induced pressure.

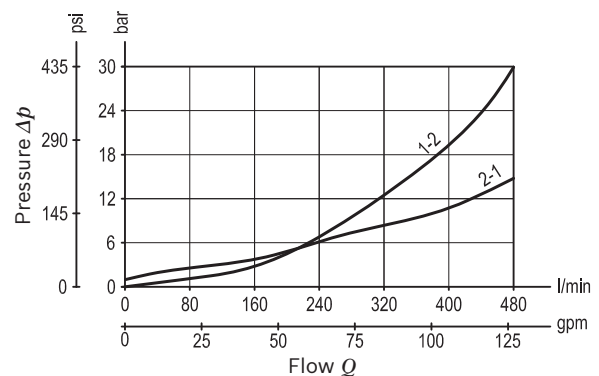
- 1) At 70% of pressure setting
- 2) Only external seals for 10 valves

**Description**

When pressure at 2 rises above the spring bias pressure, the check seat is pushed away from the piston and flow is allowed from 2 to 1. When load pressure at 1 rises above the pressure setting (turn counterclockwise to increase setting - turn clockwise to decrease setting), the direct-acting, differential area relief function is activated and flow is relieved from 1 to 2. With pilot pressure at 3, the pressure setting is reduced in proportion to the stated ratio of the valve, until fully open with free-flow from 1 to 2. The valve applies a balanced piston design allowing relief operation at the valve setting independent of back-pressure at 2. However, the piloted opening of the valve remains subject to additive pressure at port 2.



**Characteristic curve**



**Ordering code**

<b>04.54.18</b>	<b>X</b>	<b>50</b>	<b>Z</b>	<b>00</b>	<b>*</b>
-----------------	----------	-----------	----------	-----------	----------

Counterbalance, relief compensated, poppet type differential area, counterclockwise adjustment

Series O/A to L unchanged performances and dimensions

Version and options standard

Pilot ratio  
**25** 5:1 Without sealed pilot piston

	SPRINGS		
	Adj. press. range bar (psi)	Pressure increase bar/turn (psi/turn)	Std. setting bar (psi) cracking pressure
<b>42</b>	200-420 (2900-6000)	118 (1711)	350 (5000)

Note: Special settings available. Contact factory authorized representative for ordering code.

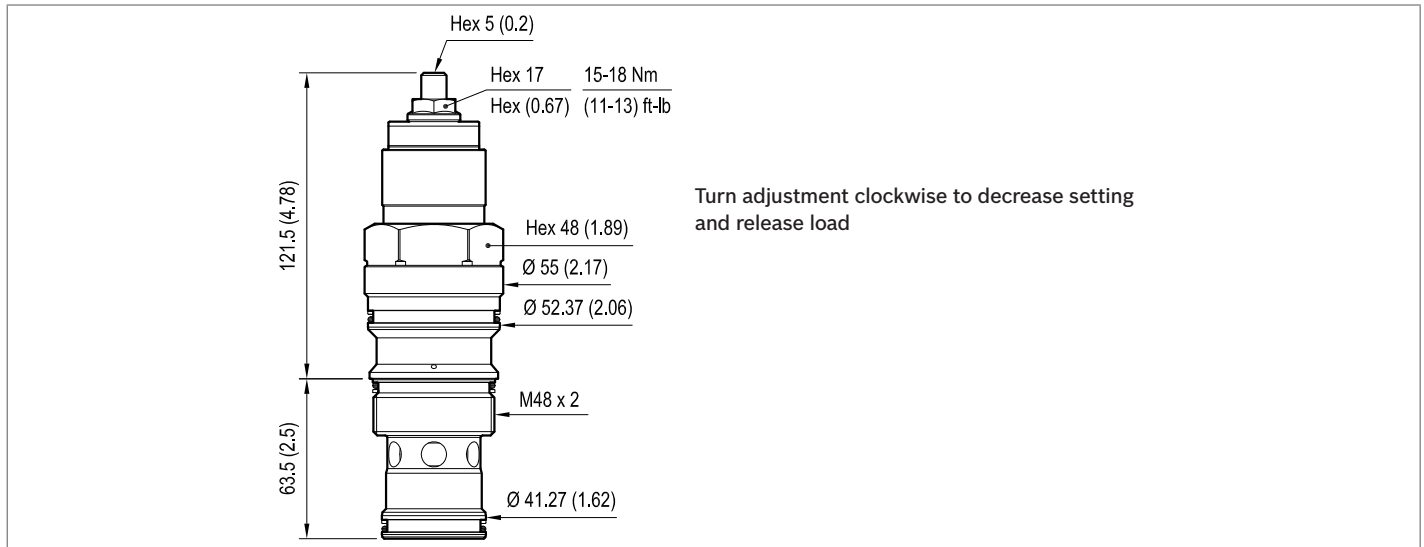
**50** SUN cavity interchange, T-19A

**Preferred types**

Type	Material number
045418255042000	R930006255

Type	Material number

**Dimensions**



**Bosch Rexroth Oil Control S.p.A.**

Via Leonardo da Vinci 5  
P.O. Box no. 5  
41015 Nonantola – Modena, Italy  
Tel. +39 059 887 611  
Fax +39 059 547 848  
compact-hydraulics-cv@boschrexroth.com  
www.boschrexroth.com/compacthydraulics

© This document, as well as the data, specifications and other information set forth in it, are the exclusive property of Bosch Rexroth Oil Control S.p.a.. It may not be reproduced or given to third parties without its consent. The data specified above only serve to describe the product. No statements concerning a certain condition or suitability for a certain application can be derived from our information. The information given does not release the user from the obligation of own judgment and verification. It must be remembered that our products are subject to a natural process of wear and aging. Subject to change.