

Counterbalance, 4 port vented
poppet type external drain, counterclockwise adjustment
Sun cavity interchange, T-22A

VBSY-12U-RS

04.59.33 - X - 86 - Z

RE 18320-27

Edition: 01.2020

Replaces: 03.2016



Technical data

Max. operating pressure	350 bar (5000 psi)
Max. flow	120 l/min (32 gpm)
Max. internal leakage ¹⁾	15 drops/min.
Fluid temperature range	-30 to 100 °C (-22 to 212 °F)
Installation torque	60 - 70 Nm (44 - 52 ft-lbs)
Weight	0.37 kg (0.82 lbs)
Cavity	SUN T-22A
MTTFD	150 years see RE 18350-51
Lines bodies and standard assemblies	Please refer to section "Hydraulic integrated circuit" or consult factory
Seal kit ²⁾	Code: RG12U4020110100 material no: R930001204
Fluids	Mineral-based or synthetics with lubricating properties at viscosities of 10 to 500 mm ² /s (cSt)
Recommended degree of fluid contamination	Nominal value max. 10µm (NAS 8) / ISO 4406 19/17/14
Installation position	No restrictions
Other Technical Data	See data sheet 18350-50

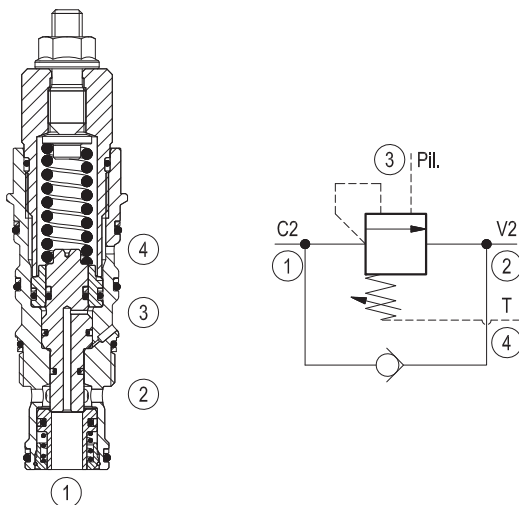
Pressure setting: at least 1.3 times the load induced pressure.

1) At 70% of pressure setting

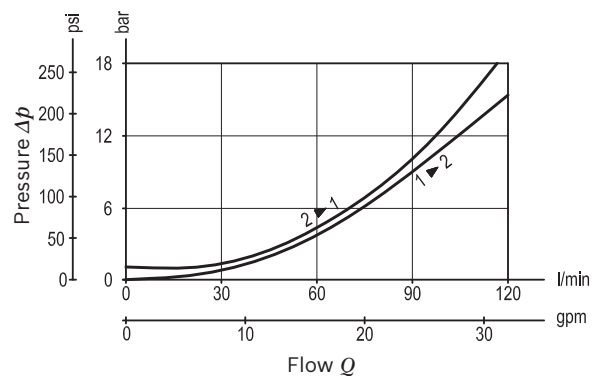
2) Only external seals for 10 valves

Description

When pressure at 2 rises above the spring bias pressure, the check seat is pushed away from the piston and flow is allowed from 2 to 1. When load pressure at 1 rises above the pressure setting (turn counterclockwise to increase setting - turn clockwise to decrease setting), the direct-acting, relief function is activated and flow is relieved from 1 to 2. With pilot pressure at 3, the pressure setting is reduced in proportion to the stated ratio of the valve, until fully open with free-flow from 1 to 2. The spring chamber is vented to 4, allowing operation of all functions independent of back-pressure at 2. Any back-pressure at 4 is additive to the pressure setting in all functions.



Characteristic curve



Ordering code

04.59.33	X	86	Z	00	*
-----------------	----------	-----------	----------	-----------	----------

Counterbalance, 4 port vented
poppet type external drain,
counterclockwise adjustment

Pilot ratio
03 4:1

86 SUN cavity interchange, T-22A

Series 0/A to L
unchanged performances and dimensions

Version and options standard

	SPRINGS		
	Adj. press. range bar (psi)	Pressure increase bar/turn (psi/turn)	Std. setting bar (psi) cracking pressure
20	70-210 (1000-3000)	39 (566)	200 (2900)
35	140-350 (2000-5000)	123 (1784)	350 (5000)

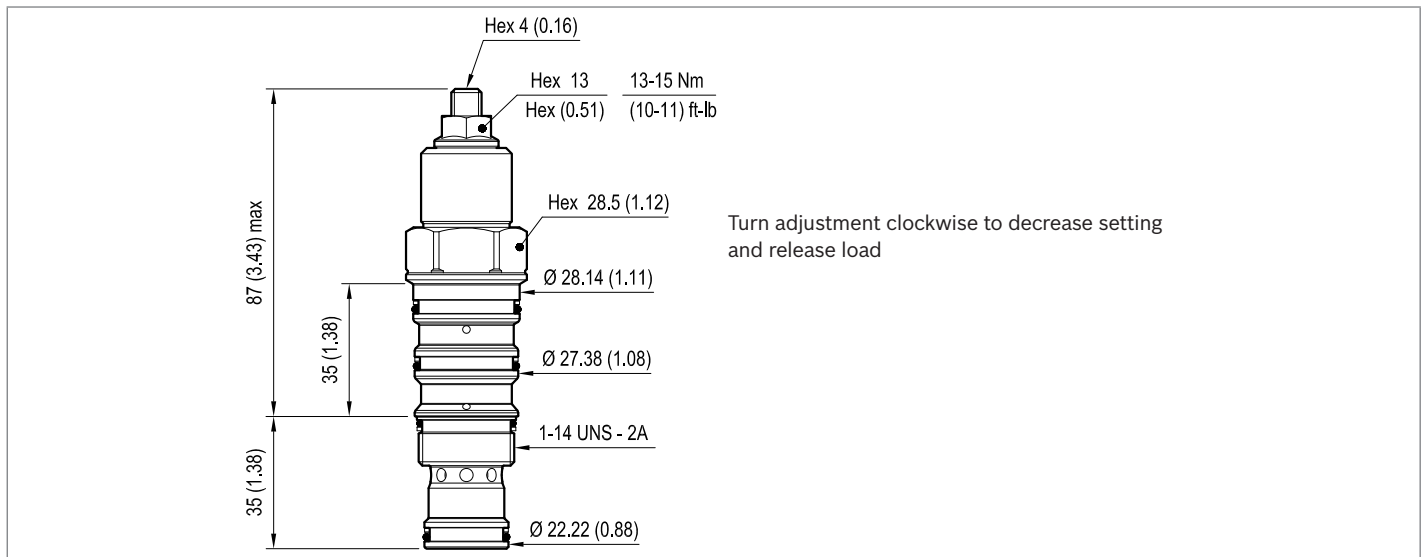
Note: Special settings available. Contact factory authorized representative for ordering code.

Preferred types

Type	Material number
045933038620000	R930006135
045933038635000	R930006136

Type	Material number

Dimensions



Bosch Rexroth Oil Control S.p.A.

Via Leonardo da Vinci 5
P.O. Box no. 5
41015 Nonantola – Modena, Italy
Tel. +39 059 887 611
Fax +39 059 547 848
compact-hydraulics-cv@boschrexroth.com
www.boschrexroth.com/compacthydraulics

© This document, as well as the data, specifications and other information set forth in it, are the exclusive property of Bosch Rexroth Oil Control S.p.a.. It may not be reproduced or given to third parties without its consent. The data specified above only serve to describe the product. No statements concerning a certain condition or suitability for a certain application can be derived from our information. The information given does not release the user from the obligation of own judgment and verification. It must be remembered that our products are subject to a natural process of wear and aging. Subject to change.