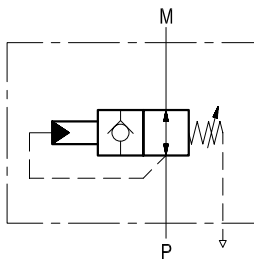


## Automatic shut-off



VEM

05.98.03 - X - Y - Z



### Description

It is intended for protection of a pressure gauge M connected to a pressure line P; the valve blocks excess pressure to the instrument M, preventing calibration failure, internal damage, and “blow-out” from over-ranging – a principal cause of instrument failure. The valve is normally open, and positively closes, without chattering, when the adjusted pressure threshold is reached; a pressure reduction at P port below the set value will automatically re-open the valve, without requiring external re-setting.

**Note:** port identified with M are not protected with calibrated orifice but in direct connection with pressure channels.

### Technical data

#### Hydraulic

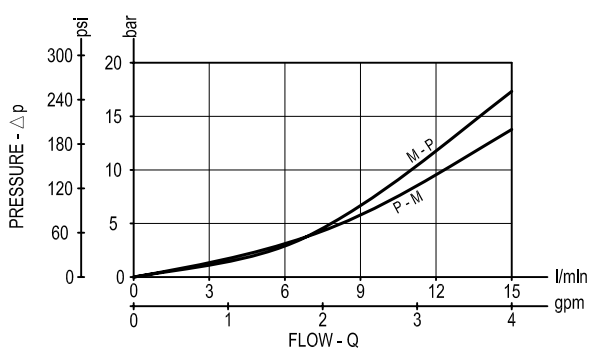
Operating pressure	bar (psi)	up to 210 (3000)
Max. flow	l/min (gpm)	15 (4)

#### General

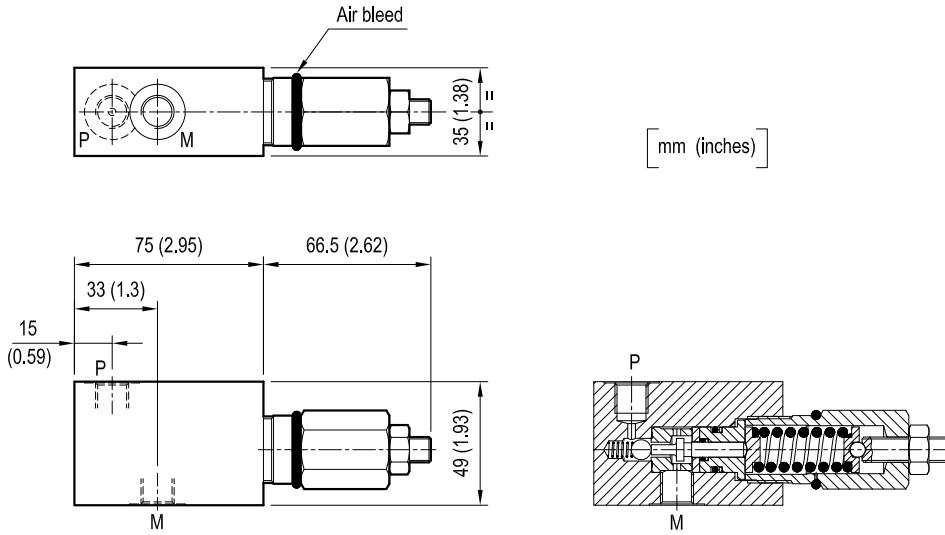
Manifold material	Aluminium	
Note: aluminium bodies are often strong enough for operating pressures exceeding 210 bar (3000 psi), depending from the fatigue life expected in the specific application. If in doubt, consult our Service Network.		
Weight	kg (lbs)	0.66 (1.46)
Fluid temperature range	°C (°F)	between -30 (-22) and +100 (212)
Other technical data	see data sheet RE 18350-50	

**Note:** for applications outside these parameters, please consult us.

### Performance



Dimensions




Ordering code

<b>05.98.03</b>	<b>X</b>	<b>Y</b>	<b>Z</b>
-----------------	----------	----------	----------

Automatic shut-off

Adjustments

**= 03** Leakproof hex. socket screw 

Port sizes	P	M	
<b>= 09</b>	G 1/4	G 1/4	

	SPRINGS		
	Adj. pressure range bar (psi)	Pres. increase bar/turn (psi/turn)	Std. setting Q=5 (l/min.) bar (psi)
<b>= 05</b>	15-50 (220-725)	15.5 (225)	50 (725)
<b>= 10</b>	35-100 (500-1450)	33 (479)	100 (1450)
<b>= 20</b>	80-210 (1150-3000)	68 (986)	200 (2900)
<b>= 35</b>	180-350 (2600-5000)	100 (1450)	350 (5000)

Type	Material number
059803030905000	R930002694
059803030910000	R930002695
059803030920000	R930002696
059803030935000	R930002698

Type	Material number