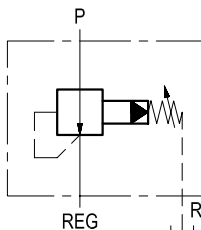
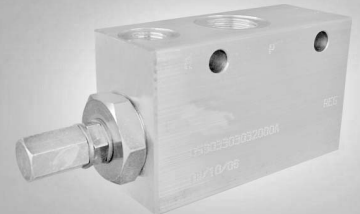


RE 18309-74/04.10 1/2
Replaces: RE 00171/02.07

Pressure reducing pilot operated spool type

VRPC-150

05.90.33 - X - Y - Z



P = Inlet
REG = A (Reduced pressure)
R = T (Tank)

Description

Initially, flow passes freely from P to REG. When the pressure at REG exceeds the pressure setting, the valve acts to restrict input flow at P. This increases the pressure drop through the valve and maintains consistent pressure at REG. The spring chamber is drained to prevent a build-up of back-pressure against the spool.

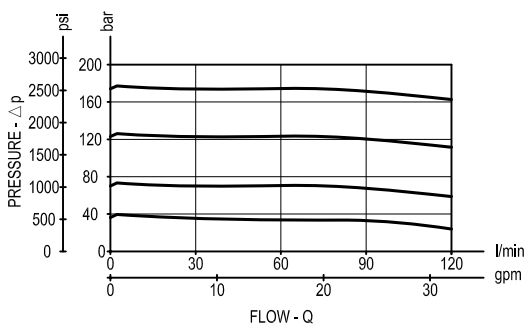
Technical data

Hydraulic

Max. operating pressure	bar (psi)	210 (3000)
Max. flow	l/min (gpm)	120 (32)

Standard intrnal oreifice: 0.6 mm

Performance



General

Manifold material Aluminium

Note: aluminium bodies are often strong enough for operating pressures exceeding 210 bar (3000 psi), depending from the fatigue life expected in the specific application. If in doubt, consult our Service Network.

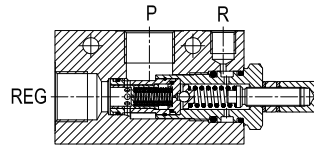
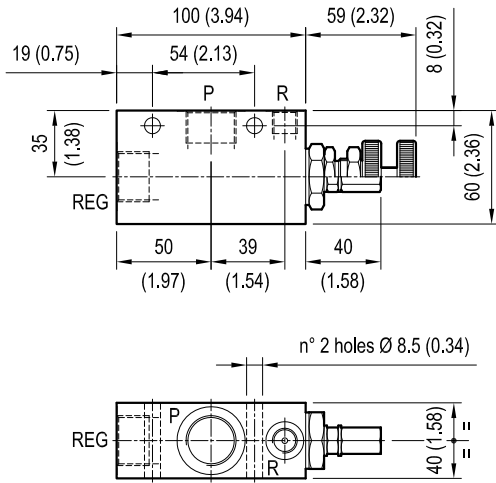
Weight kg (lbs) 1 (2.21)

Fluid temperature range °C (°F) between -30 (-22) and +100 (212)

Other technical data see data sheet RE 18350-50

Note: for applications outside these parameters, please consult us.

Dimensions



P = Inlet
 REG = A (Reduced pressure)
 R = T (Tank)

[mm (inches)]

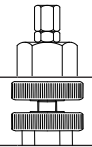
Ordering code

05.90.33 X Y Z

Pressure reducing pilot operated spool type

Adjustments

- = 03 Leakproof inner hex. socket screw
- = 04 Handknob and locknut



Port sizes	P	R	REG
= 03	G 1/2	G 1/4	G 1/2
= 04	G 3/4	G 1/4	G 3/4

	SPRINGS		
	Adj. pressure range bar (psi)	Pres. increase bar/turn (psi/turn)	Std. setting Q=5 (l/min.) bar (psi)
= 20	20-210 (290-3000)	32 (464)	100 (1450)

Type	Material number
05903303032000A	R930002598
05903303042000A	R930002599
05903304032000A	R930002600
05903304042000A	R930002601

Type	Material number