

RE 18307-57/04.10

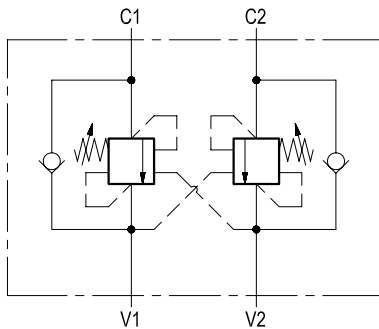
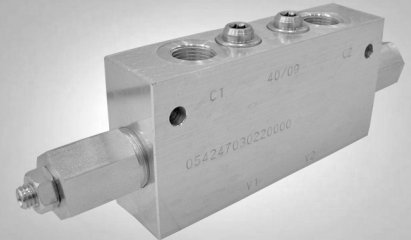
3/2

Replaces: RE 00171/02.07

Dual counterbalance

VBSO-DE-NN

05.42.47 - X - Y - Z



Description

It provides static and dynamic control of load by regulating the flow IN and OUT of the actuator, through ports C1 and C2. This valve module includes 2 sections, each one composed by a check and a relief valve pilot assisted by pressure in the opposite line: the check section allows free flow into the actuator, then holds the load against reverse movement; with pilot pressure applied at the line across, the pressure setting of the relief is reduced in proportion to the stated ratio until opening and allowing controlled reverse flow. Back-pressure at V1 or V2 is additive to the pressure setting in all functions.

Technical data

Hydraulic

Operating pressure	bar (psi)	up to 210 (3000)
Max. flow	l/min (gpm)	40 (11)

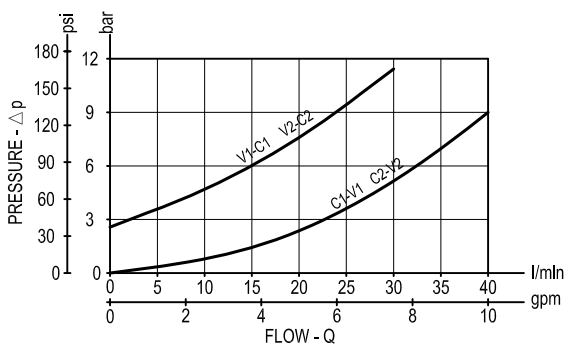
Relief setting: at least 1.3 times the highest expected load.

General

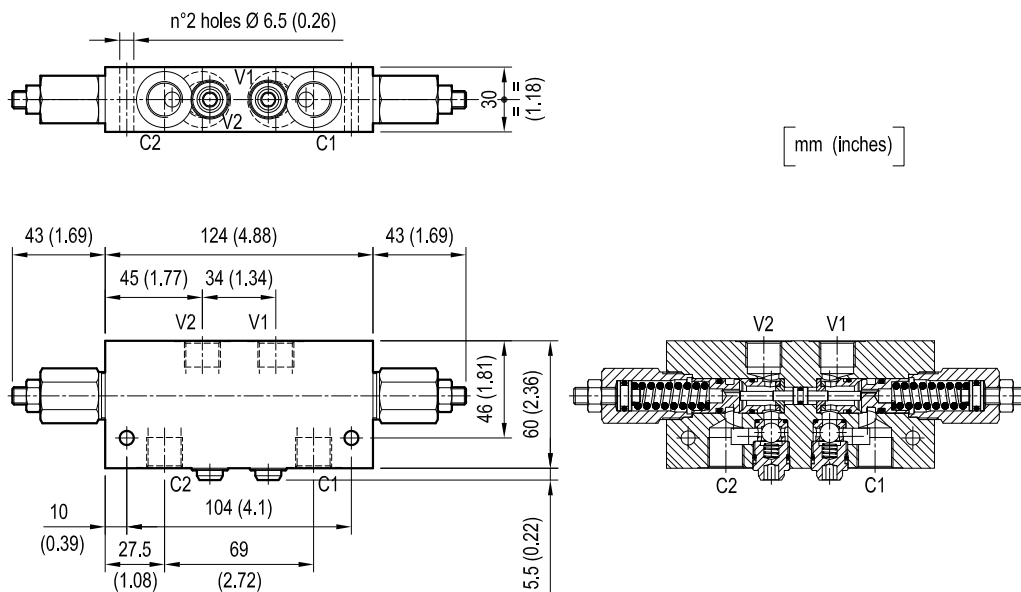
Manifold material	Aluminium	
Note: aluminium bodies are often strong enough for operating pressures exceeding 210 bar (3000 psi), depending from the fatigue life expected in the specific application. If in doubt, consult our Service Network.		
Weight	kg (lbs)	0.80 (1.76)
Fluid temperature range	°C (°F)	between -30 (-22) and +100 (212)
Other technical data	see data sheet RE 18350-50	

Note: for applications outside these parameters, please consult us.

Performance



Dimensions



Ordering code

05.42.47	X	Y	Z
-----------------	----------	----------	----------

Dual counterbalance			
Pilot ratio			
= 03	6.6:1		
= 10	2.9:1		
Port sizes	V1-V2	C1-C2	
= 02	G 3/8	G 3/8	

	SPRINGS		
	Adj. pressure range bar (psi)	Pres. increase bar/turn (psi/turn)	Std. setting Q=5 (l/min.) bar (psi)
= 20	60-210 (900-3000)	54 (783)	200 (2900)
= 35	120-350 (1750-5000)	118 (1711)	350 (5000)

Type	Material number
054247030220000	R930001858
054247030235000	R930001860
054247100220000	R930001873
054247100235000	R930001875

Type	Material number