

# Sequence, pilot operated spool type

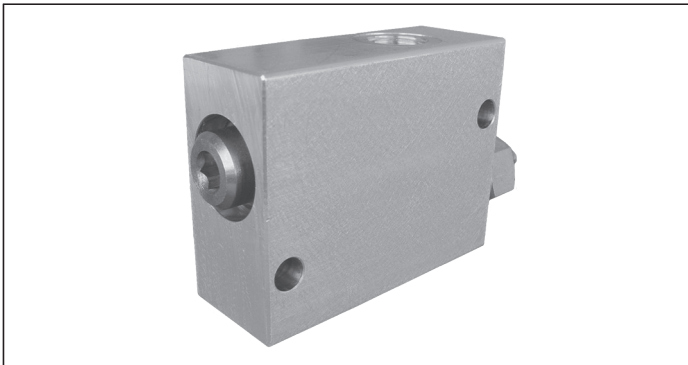
VSQP-150

05.21.15 - X - Y - Z

**RE 18309-86**

Edition: 03.2016

Replaces: 04.2010



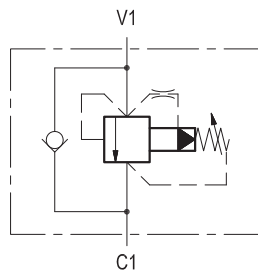
### Technical data

Operating pressure	up to 210 bar (3000 psi)
Max. flow	150 l/min. (40 gpm)
Leakage: 100 cc/min. (6 in <sup>3</sup> /min.) at max relief setting.	
Pressure drop curves are shown with zero black pressure on "C1" port. This valve is successfully employed when the pressure needed to move the secondary actuator is not very high.	
Weight	1.07 kg (2.4 lbs)
Manifold material	Aluminium
Note: aluminium bodies are often strong enough for operating pressures exceeding 210 bar (3000 psi), depending from the fatigue life expected in the specific application. If in doubt, consult our Service Network.	
Fluid	Mineral oil (HL, HLP) according DIN 51524
Fluid temperature range	-30 °C to 100 (-22 to 212 °F)
Viscosity range	10 to 500 mm <sup>2</sup> /s (cSt)
Recommended degree of fluid contamination	Class 19/17/14 according to ISO 4406
Other technical data	see data sheet 18350-50

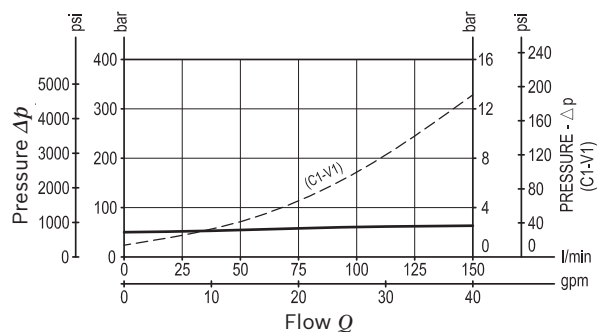
Note: for applications outside these parameters, please consult us.

### Description

Initially, the flow goes to a side line connected to V1, not shown here, and energizes a first actuator until pressure increases to meet the selected valve setting; then flow opens the relief cartridge and passes from V1 to C1 energizing the second actuator connected to C1. The relief cartridge is pilot operated and combines stability with low pressure drop. Note that pressure at C1, i.e. the pressure needed to operate the second actuator, is additive to the relief setting of the valve. The check valve allows reverse flow, from C1 to V1.



### Characteristic curve



**Ordering code**

<b>05.21.15</b>	<b>X</b>	<b>Y</b>	<b>Z</b>
-----------------	----------	----------	----------

Sequence  
pilot operated spool type

Adjustments

**03** Leakproof hex. socket screw



Port sizes	V1	C1	
<b>03</b>	G 1/2	G 1/2	
<b>04</b>	G 3/4	G 3/4	

	SPRINGS		
	Adj. pressure range bar (psi)	Pres. increase bar/turn (psi/turn)	Std. setting Q=5 (l/min) bar (psi)
<b>05</b>	3-70 (44-1000)	20 (290)	50 (725)

Tamper resistant cap  
ordering code 11.04.23.004  
Mat. no. R930001411

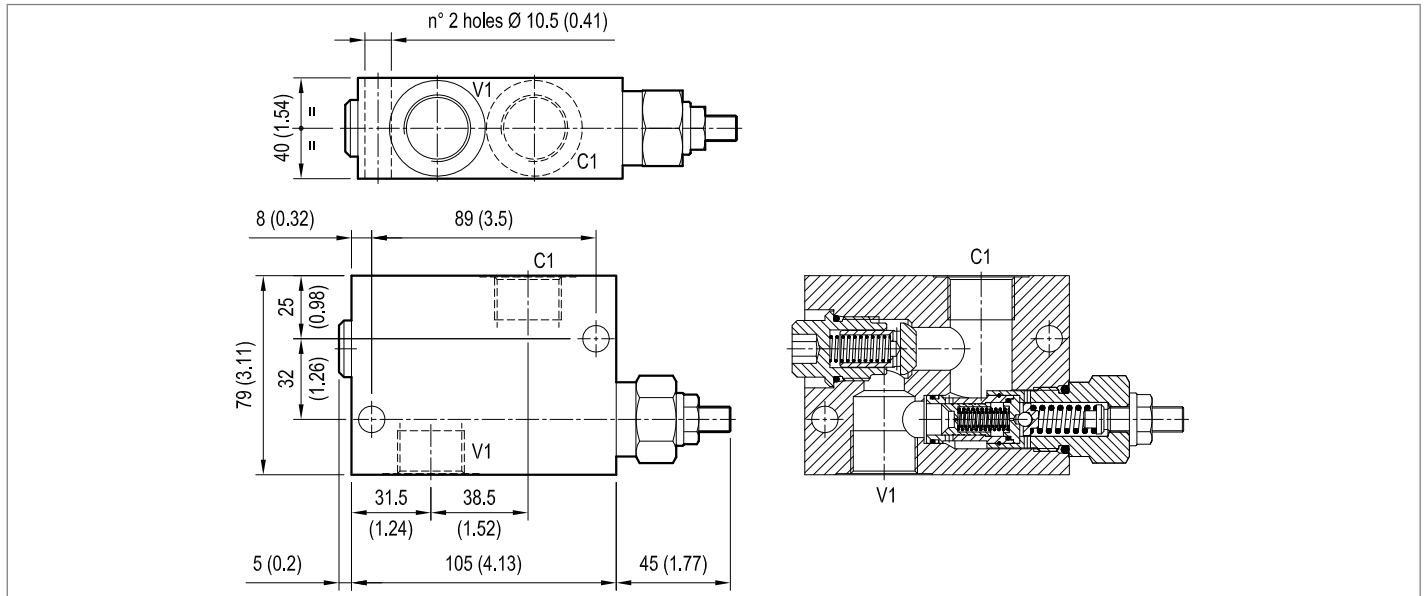


**Preferred types**

Type	Material number
052115030305000	R930001438
052115030405000	R930001953

Type	Material number

**Dimensions**



**Bosch Rexroth Oil Control S.p.A.**

Via Leonardo da Vinci 5  
P.O. Box no. 5  
41015 Nonantola – Modena, Italy  
Tel. +39 059 887 611  
Fax +39 059 547 848  
compact-hydraulics-pib@boschrexroth.com  
www.boschrexroth.com/compacthydraulics

© This document, as well as the data, specifications and other information set forth in it, are the exclusive property of Bosch Rexroth Oil Control S.p.a.. It may not be reproduced or given to third parties without its consent. The data specified above only serve to describe the product. No statements concerning a certain condition or suitability for a certain application can be derived from our information. The information given does not release the user from the obligation of own judgment and verification. It must be remembered that our products are subject to a natural process of wear and aging. Subject to change.