

Counterbalance, standard poppet type
zero differential area
Common cavity, Size 20

VBSZ-20A

04.52.41 - X - 58 - Z

RE 18319-99

Edition: 03.2016

Replaces: 09.2010



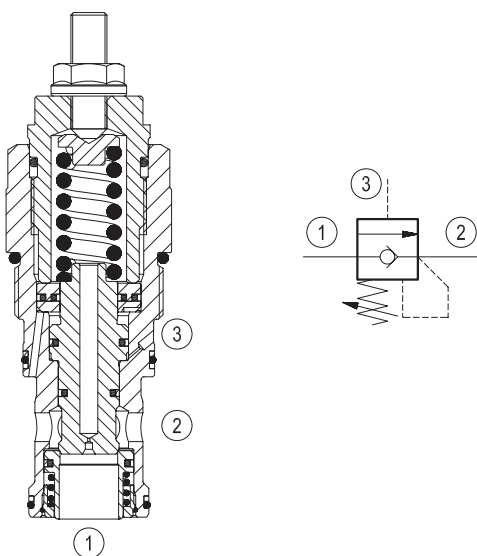
Technical data

Max. operating pressure	350 bar (5000 psi)
Max. flow	320 l/min (85 gpm)
Max. internal leakage ¹⁾	15 drops/min.
Fluid temperature range	-30 to 100 °C (-22 to 212 °F)
Installation torque	128 - 149 Nm (95 - 110 ft-lbs)
Weight	1.12 kg (2.5 lbs)
Cavity	CA-20A-3C (see data sheet 18325-70)
Lines bodies and standard assemblies	Please refer to section "Hydraulic integrated circuit" or consult factory
Seal kit	Code: RG20A9010530100 material no: R901111397
Fluids	Mineral-based or synthetics with lubricating properties at viscosities of 10 to 500 mm ² /s (cSt)
Recommended degree of fluid contamination	Nominal value max. 10µm (NAS 8) / ISO 4406 19/17/14
Installation position	No restrictions
Other Technical Data	See data sheet 18350-50

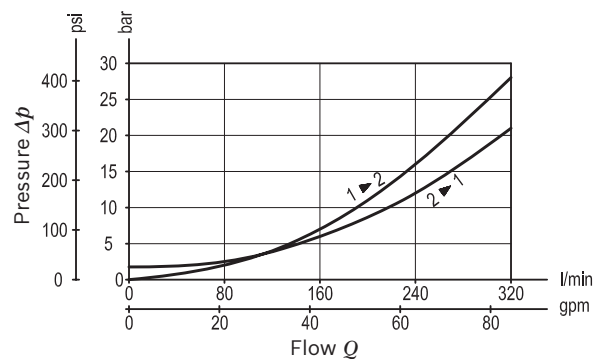
¹⁾ At 70% of pressure setting

Description

When pressure at 2 rises above the check spring bias pressure, the seat is pushed away from the piston and flow is allowed from 2 to 1. Reverse flow is locked, unless the pilot pressure at 3 rises above the piston spring bias pressure (adjustable). Any back-pressure at 2 is additive to the pressure setting.



Characteristic curve



Ordering code

04.52.41	X	58	Z	00	*
-----------------	----------	-----------	----------	-----------	----------

Counterbalance,
standard poppet type zero differential
area

O-Ring on pilot piston

27 With O-Ring

58 Common cavity, Size 20

Series 0/A to L
unchanged performances and dimensions

Version and options standard

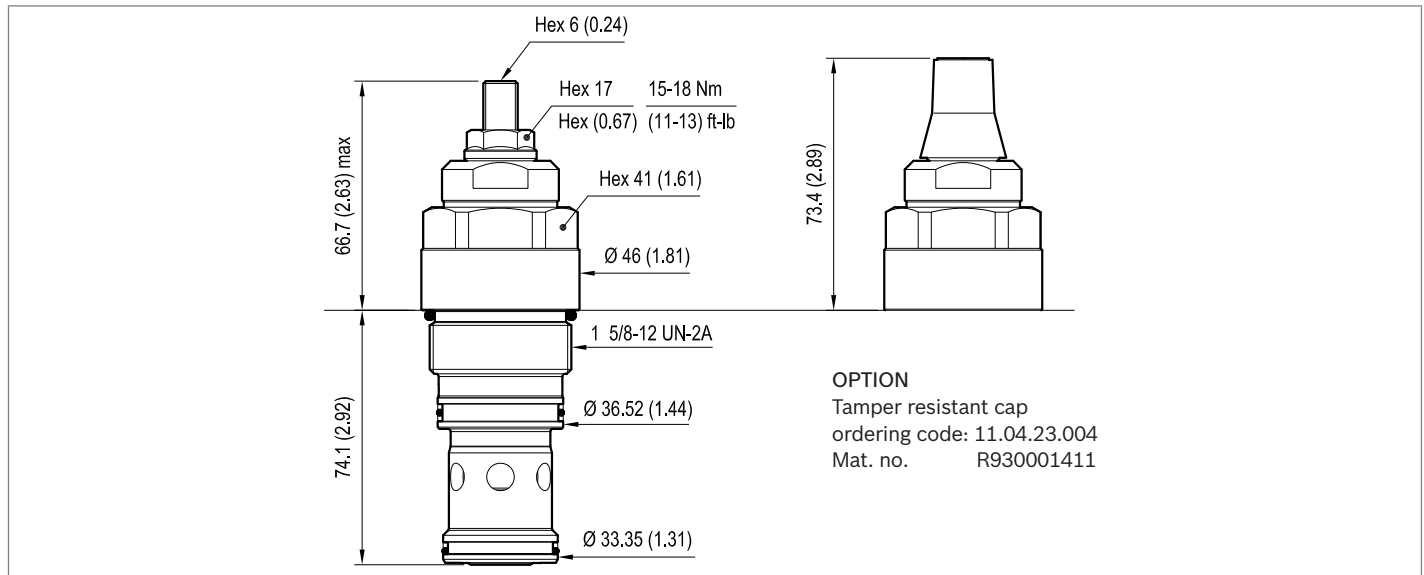
SPRINGS		
Adj. press. range bar (psi)	Pressure increase bar/turn (psi/turn)	Std. setting bar (psi) cracking pressure
20	10-30 (145-450)	10 (145) 15 (220)

Preferred types

Type	Material number
045241275820000	R930000844

Type	Material number

Dimensions



Bosch Rexroth Oil Control S.p.A.

Via Leonardo da Vinci 5
 P.O. Box no. 5
 41015 Nonantola – Modena, Italy
 Tel. +39 059 887 611
 Fax +39 059 547 848
 compact-hydraulics-cv@boschrexroth.com
 www.boschrexroth.com/compacthydraulics

© This document, as well as the data, specifications and other information set forth in it, are the exclusive property of Bosch Rexroth Oil Control S.p.a.. It may not be reproduced or given to third parties without its consent. The data specified above only serve to describe the product. No statements concerning a certain condition or suitability for a certain application can be derived from our information. The information given does not release the user from the obligation of own judgment and verification. It must be remembered that our products are subject to a natural process of wear and aging. Subject to change.