

Check, double lock,
with mechanical pilot
Special cavity, 748

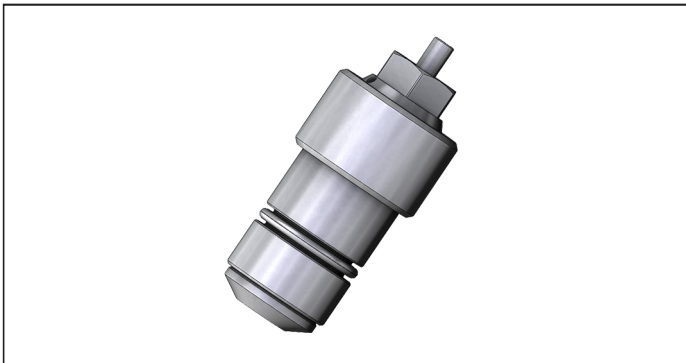
VU-DT-D7-CM

04.43.01.00.00 - Z

RE 18318-87

Edition: 01.2019

Replaces: 03.2016



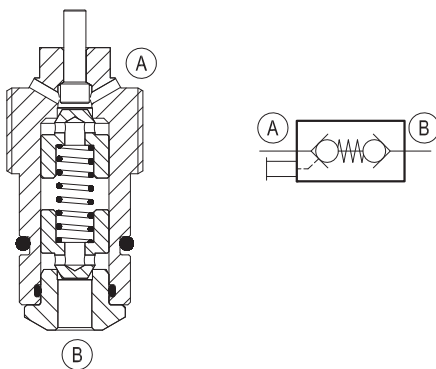
Description

Flow is normally locked in both directions. When pressure at B rises above the spring bias pressure, and when the mechanical pilot in A is operated, flow is allowed from B to A. VU-DT-D7-CM allows cylinders working in 'master-slave' circuits to self correct for volume tolerances at the end of working strokes.

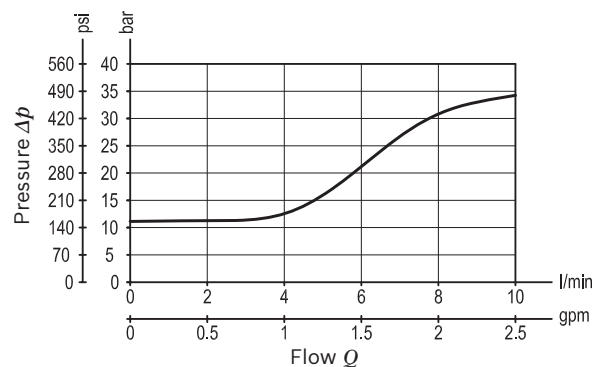
Technical data

Max. operating pressure	350 bar (5000 psi)
Max. flow	10 l/min. (2.6 gpm)
Max. internal leakage	5 drops/min.
Fluid temperature range	-30 to 100 °C (-22 to 212 °F)
Installation torque	80 - 90 Nm (60 - 70 ft-lbs)
Weight	0.14 kg (0.31 lbs)
Special cavity	748
Lines bodies and standard assemblies	Please refer to section "Hydraulic integrated circuit" or consult factory
Seal kit ¹⁾	Code: RG0748010000100 material no: R930002806
Fluids	Mineral-based or synthetics with lubricating properties at viscosities of 5 to 800 mm ² /s (cSt)
Recommended degree of fluid contamination	Nominal value max. 10µm (NAS 8) / ISO 4406 20/18/15
Installation position	No restrictions
Other Technical Data	See data sheet 18350-50

1) Only external seals for 10 valves



Characteristic curve



Ordering code

04.43.01.00	00	Z	00	*
-------------	----	---	----	---

Check, double lock,
with mechanical pilot

Special cavity, 748

Series O/A to L
unchanged performances and dimensions

Version and options standard

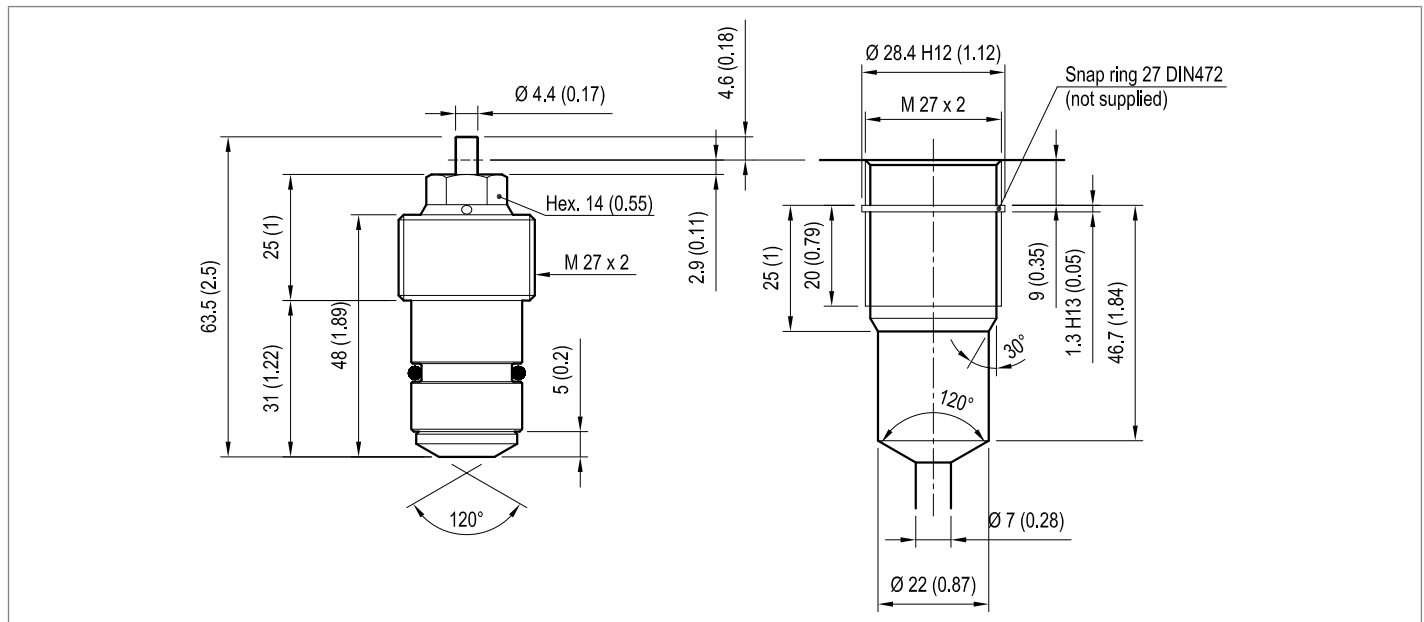
SPRINGS	
	Cracking pressure bar (psi)
01	11 (160)

Preferred types

Type	Material number
04430100001000	R930000608

Type	Material number

Dimensions



Bosch Rexroth Oil Control S.p.A.

Via Leonardo da Vinci 5
P.O. Box no. 5
41015 Nonantola – Modena, Italy
Tel. +39 059 887 611
Fax +39 059 547 848
compact-hydraulics-cv@boschrexroth.com
www.boschrexroth.com/compacthydraulics

© This document, as well as the data, specifications and other information set forth in it, are the exclusive property of Bosch Rexroth Oil Control S.p.a.. It may not be reproduced or given to third parties without its consent. The data specified above only serve to describe the product. No statements concerning a certain condition or suitability for a certain application can be derived from our information. The information given does not release the user from the obligation of own judgment and verification. It must be remembered that our products are subject to a natural process of wear and aging. Subject to change.