

Pilot operated check,  
pilot to close  
Common cavity, Size 10

VUPC-10A

04.34.04 - X - 85 - Z

**RE 18319-36**

Edition: 03.2016

Replaces: 01.2010

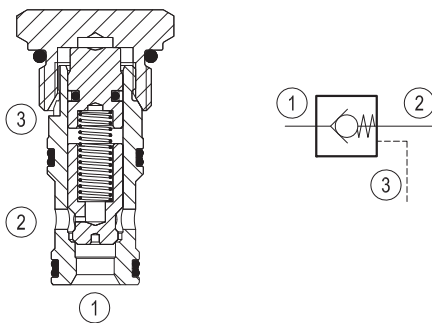


Technical data	
Max. operating pressure	350 bar (5000 psi)
Max. flow	70 l/min. (18 gpm)
Pilot ratio	1.9:1
Max. internal leakage	5 drops/min.
Fluid temperature range	-30 to 100 °C (-22 to 212 °F)
Installation torque	41 - 47 Nm (30 - 35 ft-lbs)
Weight	0.15 kg (0.33 lbs)
Cavity	CA-10A-3C (see data sheet 18325-70)
Lines bodies and standard assemblies	Please refer to section "Hydraulic integrated circuit" or consult factory
MTTFd	150 years see data sheet 18350-51
Seal kit <sup>1)</sup>	Code: RG10A9010530100 material no: R901111368
Fluids	Mineral-based or synthetics with lubricating properties at viscosities of 5 to 800 mm <sup>2</sup> /s (cSt)
Recommended degree of fluid contamination	Nominal value max. 10µm (NAS 8) / ISO 4406 19/17/14
Installation position	No restrictions
Other Technical Data	See data sheet 18350-50

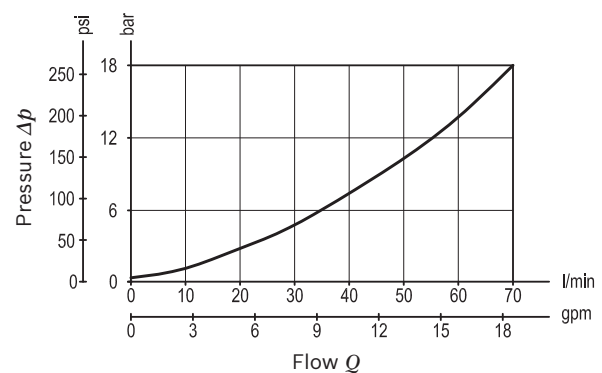
**Description**

When pressure at 1 rises above the spring bias pressure, the poppet is lifted and flow allowed from 1 to 2. The valve is closed (checked) from 2 to 1. When sufficient pilot pressure is present at port 3, the pilot piston acts to hold the poppet on its seat and flow is blocked from 1 to 2. Precision machining and hardening processes allow virtually leak-free performance in the checked condition.

1) Only external seals for 10 valves



**Characteristic curve**



**Ordering code**

<b>04.34.04</b>	<b>X</b>	<b>85</b>	<b>Z</b>	<b>00</b>	<b>*</b>
-----------------	----------	-----------	----------	-----------	----------

Pilot operated check, pilot to close

O-Ring on pilot piston

**10** With O-Ring

**85** Common cavity, Size 10

Series 0/A to L  
unchanged performances and dimensions

Version and options standard

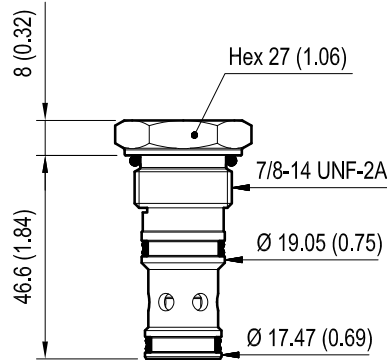
SPRINGS	
	Cracking pressure bar (psi)
<b>00</b>	0.5 (7)

**Preferred types**

Type	Material number
043404108500000	R930000552

Type	Material number
------	-----------------

**Dimensions**



**Bosch Rexroth Oil Control S.p.A.**

Via Leonardo da Vinci 5  
P.O. Box no. 5  
41015 Nonantola – Modena, Italy  
Tel. +39 059 887 611  
Fax +39 059 547 848  
compact-hydraulics-cv@boschrexroth.com  
www.boschrexroth.com/compacthydraulics

© This document, as well as the data, specifications and other information set forth in it, are the exclusive property of Bosch Rexroth Oil Control S.p.a.. It may not be reproduced or given to third parties without its consent. The data specified above only serve to describe the product. No statements concerning a certain condition or suitability for a certain application can be derived from our information. The information given does not release the user from the obligation of own judgment and verification. It must be remembered that our products are subject to a natural process of wear and aging. Subject to change.