

Check, poppet type

Special cavity, 690

VU-N-38

04.31.19.00.99 - Z

**RE 18318-99**

Edition: 01.2019

Replaces: 03.2016

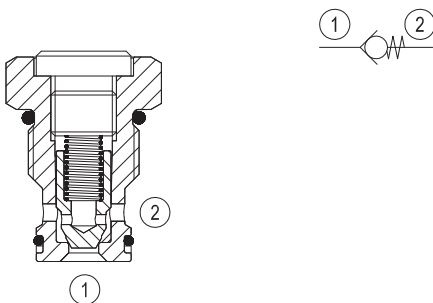


Technical data	
Max. operating pressure	350 bar (5000 psi)
Max. flow	30 l/min (8 gpm)
Max. internal leakage	5 drops/min.
Fluid temperature range	-30 to 100 °C (-22 to 212 °F)
Installation torque	78 - 85 Nm (56 - 63 ft-lbs)
Weight	0.1 kg (0.22 lbs)
Special cavity	690 (see data sheet 18325-75)
Lines bodies and standard assemblies	Please refer to section "Hydraulic integrated circuit" or consult factory
Seal kit <sup>1)</sup>	Code: RG0690010520100 material no: R930001702
Fluids	Mineral-based or synthetics with lubricating properties at viscosities of 5 to 800 mm <sup>2</sup> /s (cSt)
Recommended degree of fluid contamination	Nominal value max. 10µm (NAS 8) / ISO 4406 20/18/15
Installation position	No restrictions
Other Technical Data	See data sheet 18350-50

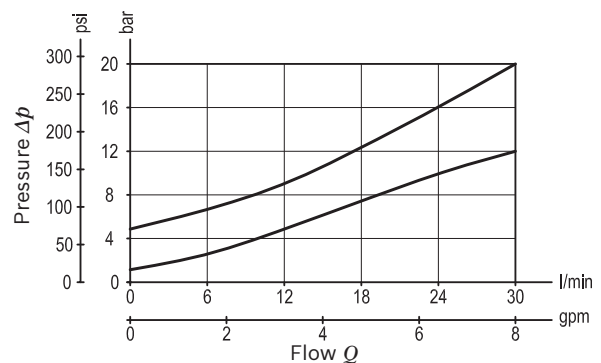
### Description

When pressure at 1 rises above the spring bias pressure, the poppet is lifted and flow allowed from 1 to 2. The valve is closed (checked) from 2 to 1. Precision machining and hardening processes allow virtually leak-free performance in the checked condition.

1) Only external seals for 10 valves



### Characteristic curve



**Ordering code**

<b>04.31.19.00</b>	<b>99</b>	<b>Z</b>	<b>00</b>	<b>*</b>
--------------------	-----------	----------	-----------	----------

Series 0/A to L  
unchanged performances and dimensions

Version and options standard

Check, poppet type

SPRINGS	
Cracking pressure bar (psi)	
<b>00</b>	1 (15)
<b>01</b>	4.5 (65)

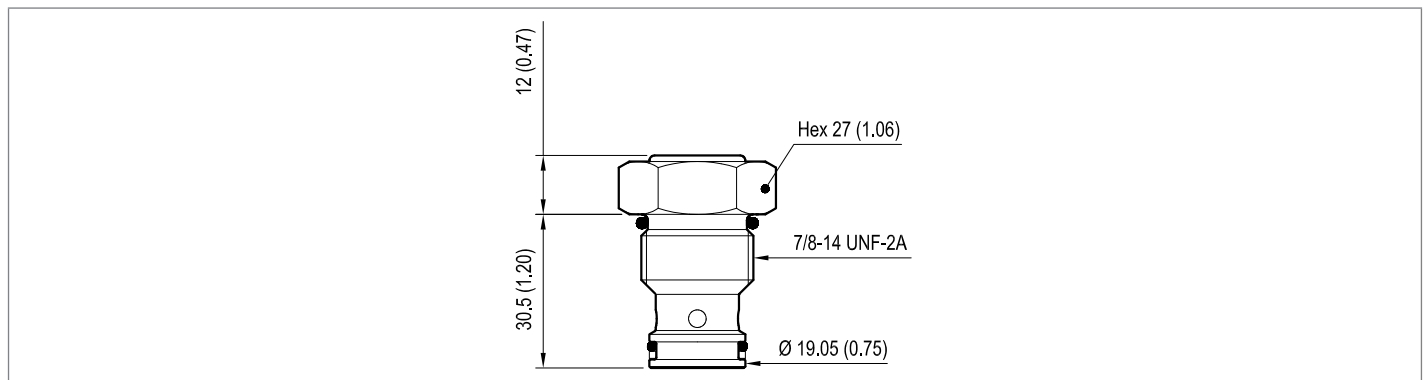
**99** Special cavity, 690

**Preferred types**

Type	Material number
043119009900000	R930000456
043119009901000	R930000457

Type	Material number

**Dimensions**



**Bosch Rexroth Oil Control S.p.A.**

Via Leonardo da Vinci 5  
P.O. Box no. 5  
41015 Nonantola – Modena, Italy  
Tel. +39 059 887 611  
Fax +39 059 547 848  
compact-hydraulics-cv@boschrexroth.com  
www.boschrexroth.com/compacthydraulics

© This document, as well as the data, specifications and other information set forth in it, are the exclusive property of Bosch Rexroth Oil Control S.p.a.. It may not be reproduced or given to third parties without its consent. The data specified above only serve to describe the product. No statements concerning a certain condition or suitability for a certain application can be derived from our information. The information given does not release the user from the obligation of own judgment and verification. It must be remembered that our products are subject to a natural process of wear and aging. Subject to change.