

Logic element, flow and pressure control
with internal pilot
Common cavity, Size 20

VLSP-20A

04.84.03 - X - 58 - Z

RE 18321-67

Edition: 03.2016

Replaces: 01.2010



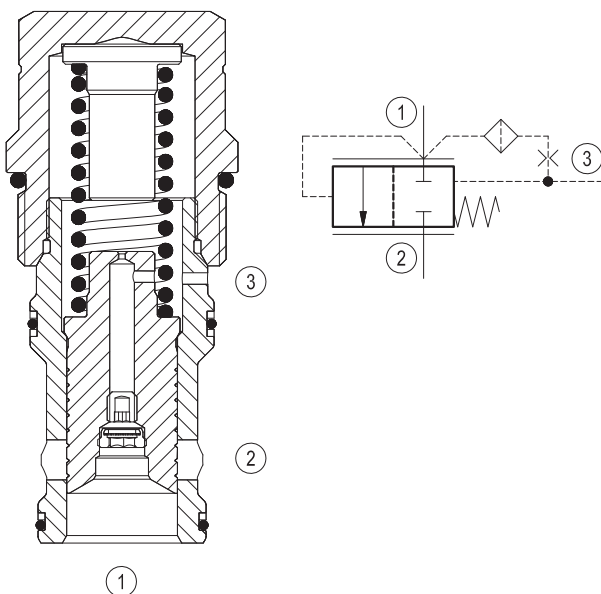
Technical data	
Max. operating pressure	350 bar (5000 psi)
Max. Flow	360 l/min. (95 gpm)
Max. internal leakage ¹⁾	200 cm ³ /min. (12 cu.in./min.)
Fluid temperature range	-30 to 100 °C (-22 to 212 °F)
Installation torque	128 - 149 Nm (95 - 110 ft-lbs)
Weight	0.8 kg (1.7 lbs)
Cavity	CA-20A-3C (see data sheet 18325-70)
Lines bodies and standard assemblies	Please refer to section "Hydraulic integrated circuit" or consult factory
Seal kit ²⁾	Code: RG20A9010530100 material no: R901111397
Fluids	Mineral-based or synthetics with lubricating properties at viscosities of 10 to 500 mm ² /s (cSt)
Recommended degree of fluid contamination	Nominal value max. 10µm (NAS 8) / ISO 4406 19/17/14
Installation	No restrictions
Other Technical Data	See data sheet 18350-50

Description

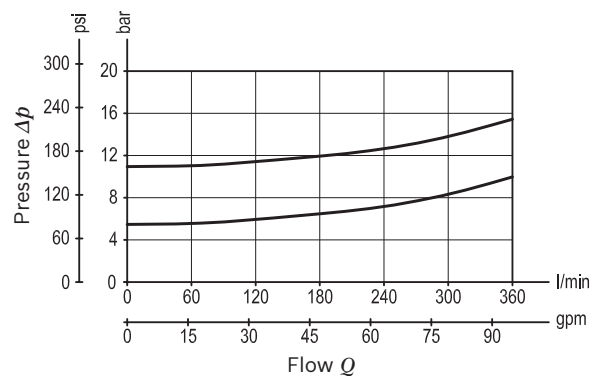
When pressure at 1 rises above the selected spring bias pressure against the spool, the valve shifts to allow flow from 1 to 2. The differential pressure between 1 and 3, across an internal orifice, is additive to the spring bias pressure. Note that flow, restricted by the internal orifice, can be transmitted from 3 to 1. The valve may be used in switching or compensation type applications.

1) Measured at 200 bar (2900 psi)

2) Only external seals for 10 valves



Characteristic curve



Ordering code

04.84.03	X	58	Z	00	*
-----------------	----------	-----------	----------	-----------	----------

Logic element, flow and pressure control with internal pilot

Series 0/A to L
unchanged performances and dimensions

Version and options standard

Adjustments
00 Fixed setting

SPRINGS	
05	5.5 (80) ± 20%
11	11 (160) ± 15%

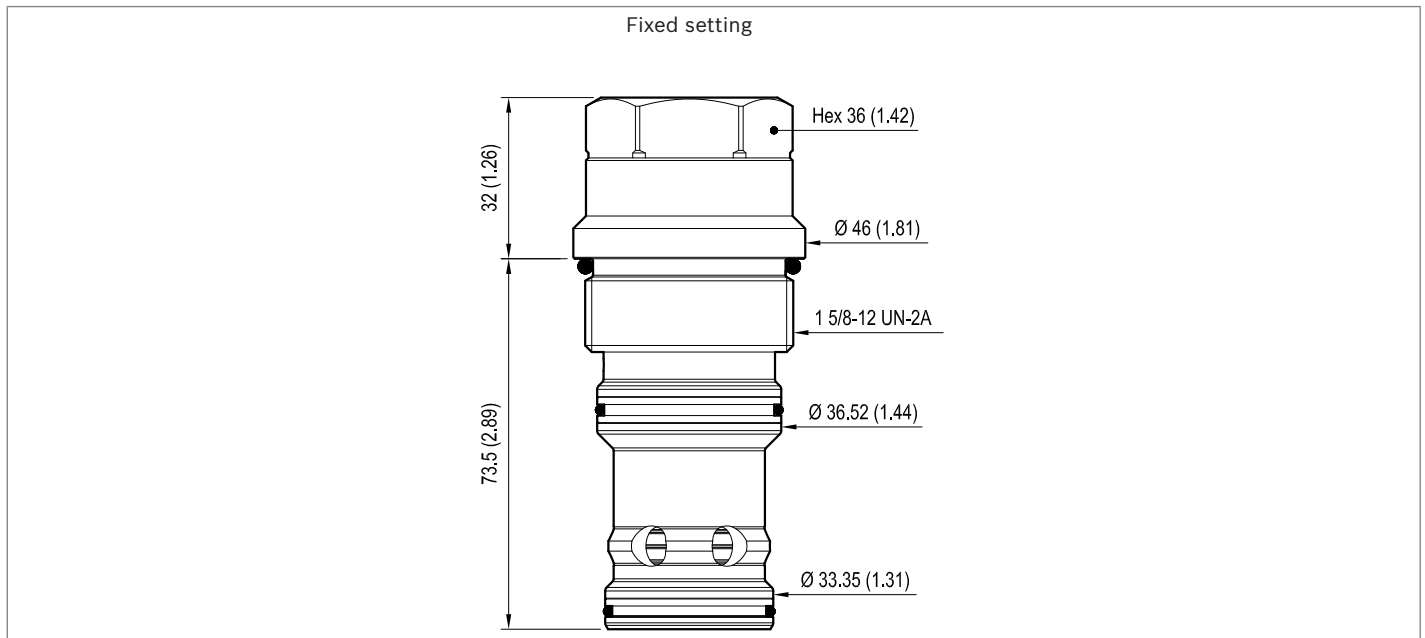
58 Common cavity, Size 20

Preferred types

Type	Material number
048403005805000	R901109872
048403005811000	R901109873

Type	Material number

Dimensions



Bosch Rexroth Oil Control S.p.A.

Via Leonardo da Vinci 5
P.O. Box no. 5
41015 Nonantola – Modena, Italy
Tel. +39 059 887 611
Fax +39 059 547 848
compact-hydraulics-cv@boschrexroth.com
www.boschrexroth.com/compacthydraulics

© This document, as well as the data, specifications and other information set forth in it, are the exclusive property of Bosch Rexroth Oil Control S.p.a.. It may not be reproduced or given to third parties without its consent. The data specified above only serve to describe the product. No statements concerning a certain condition or suitability for a certain application can be derived from our information. The information given does not release the user from the obligation of own judgment and verification. It must be remembered that our products are subject to a natural process of wear and aging. Subject to change.