

Flow divider

Common cavity, Size 10

DSDN-10A

04.05.04.00.85 - Z

RE 18321-22

Edition: 03.2016

Replaces: 09.2009



Technical data	
Pressure min. - max.	10 - 350 bar (145 - 5000 psi)
Flow range	see "Range of total flow" table
Fluid temperature range	-30 to 100 °C (-22 to 212 °F)
Installation torque	41 - 47 Nm (30 - 35 ft-lbs)
Division ratio	50% - 50%
Weight	0.28 kg (0.62 lbs)
Cavity	CA-10A-4N (see data sheet 18325-70)
Lines bodies and standard assemblies	Please refer to section "Hydraulic integrated circuit" or consult factory
Seal kit ¹⁾	Code: RG10A4010520100 material no: R901111371
Fluids	Mineral-based or synthetics with lubricating properties at viscosities of 10 to 500 mm ² /s (cSt)
Recommended degree of fluid contamination	Nominal value max. 10µm (NAS 8) / ISO 4406 19/17/14
Installation	No restrictions
Other Technical Data	See data sheet 18350-50

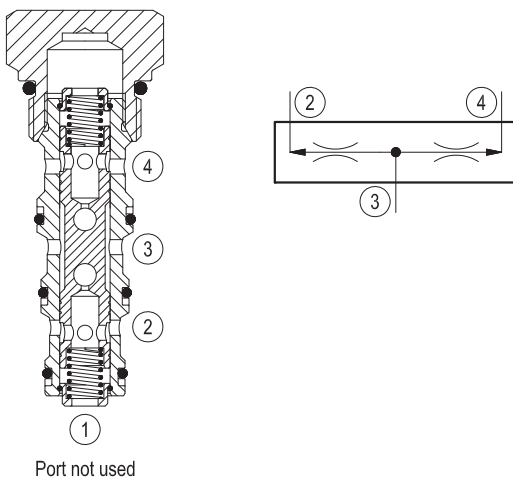
Description

Input flow at 3 will be divided and output equally to 2 and 4 independent of system pressures. Should either 2 or 4 become blocked in flow division mode, approximately 5% of the input flow will be transmitted to the open port. Flow combining is not permitted.

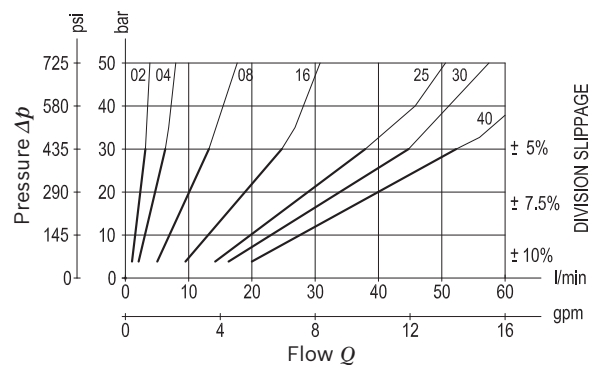
1) Only external seals for 10 valves

Slippage (tolerance) from theoretical divided flows: ±5% to ±10%, depending from inlet flow (see diagram).

N.B. Slippage is lowest toward upper limit of nominal range.



Characteristic curve



Ordering code

04.05.04.00	85	Z	00	*
--------------------	-----------	----------	-----------	----------

Flow divider

Series 0/A to L
unchanged performances and dimensions

Version and options standard

85 Common cavity, Size 10

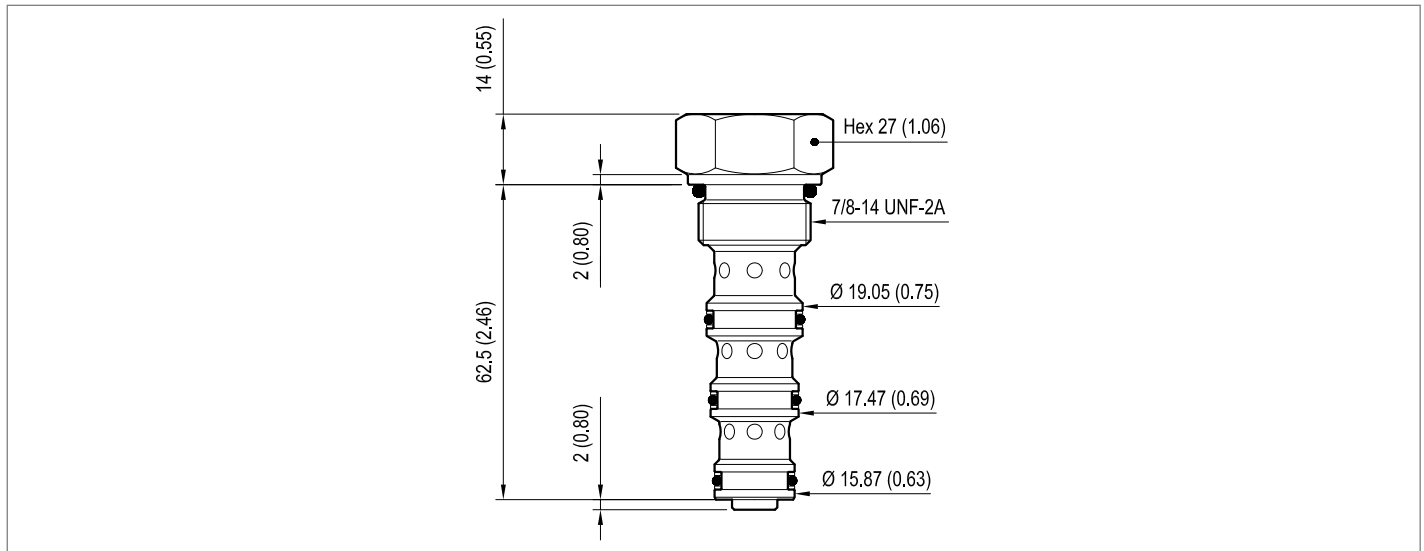
	Regulated flow range l/min. (gpm)
02	1-3 (0.26-0.79)
04	2-6 (0.53-1.59)
08	5-13 (1.32-3.44)
16	9-24 (2.38-6.34)
25	14-37 (3.7-9.78)
30	16-44 (4.23-11.63)
40	20-54 (5.28-14.27)

Preferred types

Type	Material number
040504008502000	R901109840
040504008504000	R901109841
040504008508000	R901109843
040504008516000	R901109844
040504008525000	R901109845

Type	Material number
040504008530000	R901109846
040504008540000	R901109849

Dimensions



Bosch Rexroth Oil Control S.p.A.

Via Leonardo da Vinci 5
P.O. Box no. 5
41015 Nonantola – Modena, Italy
Tel. +39 059 887 611
Fax +39 059 547 848
compact-hydraulics-cv@boschrexroth.com
www.boschrexroth.com/compacthydraulics

© This document, as well as the data, specifications and other information set forth in it, are the exclusive property of Bosch Rexroth Oil Control S.p.a.. It may not be reproduced or given to third parties without its consent. The data specified above only serve to describe the product. No statements concerning a certain condition or suitability for a certain application can be derived from our information. The information given does not release the user from the obligation of own judgment and verification. It must be remembered that our products are subject to a natural process of wear and aging. Subject to change.