

Logic element, pressure compensator

Common cavity, Size 10

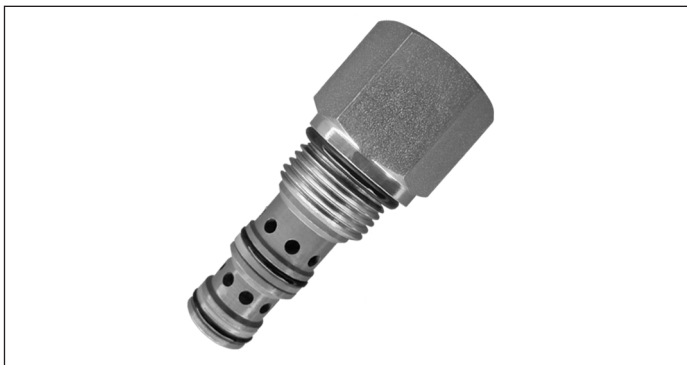
VLSQ-10A

04.84.05 - X - 85 - Z

RE 18321-77

Edition: 03.2016

Replaces: 01.2010

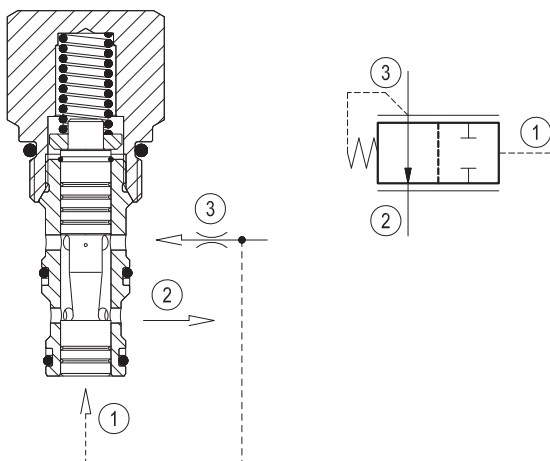


Technical data	
Max. operating pressure	350 bar (5000 psi)
Max. Flow	40 l/min. (11 gpm)
Flow maintenance	± 10%
Fluid temperature range	-30 to 100 °C (-22 to 212 °F)
Installation torque	41 - 47 Nm (30 - 35 ft-lbs)
Weight	0.13 kg (0.29 lbs)
Cavity	CA-10A-3N (see data sheet 18325-70)
Lines bodies and standard assemblies	Please refer to section "Hydraulic integrated circuit" or consult factory
Seal kit ¹⁾	Code: RG10A3010520100 material no: R901111369
Fluids	Mineral-based or synthetics with lubricating properties at viscosities of 10 to 500 mm ² /s (cSt)
Recommended degree of fluid contamination	Nominal value max. 10µm (NAS 8) / ISO 4406 19/17/14
Installation	No restrictions
Other Technical Data	See data sheet 18350-50

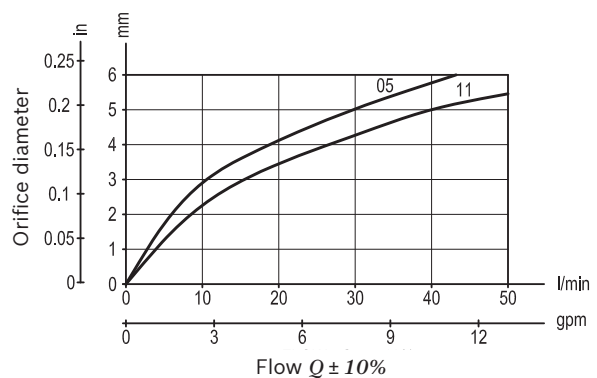
Description

Flow is normally allowed from 3 to 2. When pilot pressure at 1 rises above the combined pressure of the spring bias, plus pressure at 3, the valve shifts to block flow. The valve may be used in switching or compensation type applications, and will maintain a constant pressure drop across a fixed (or variable) orifice upstream of 3 when installed and piloted per the diagram above.

1) Only external seals for 10 valves



Characteristic curve



Ordering code

04.84.05	X	85	Z	00	*
-----------------	----------	-----------	----------	-----------	----------

Logic element, pressure compensator

Adjustments

00 Fixed setting

85 Common cavity, Size 10

Series 0/A to L
unchanged performances and dimensions

Version and options standard

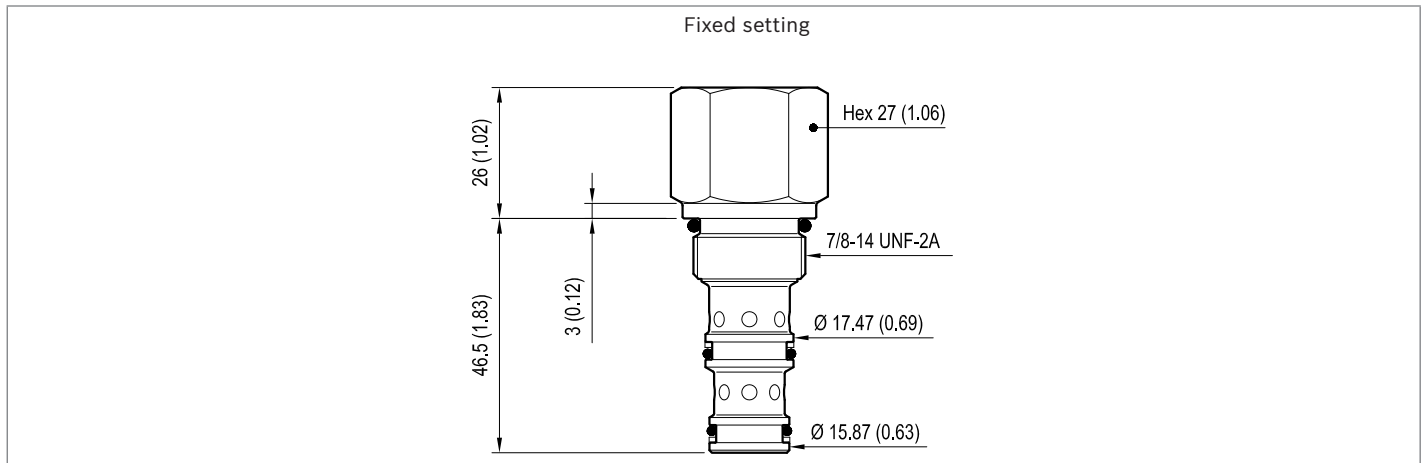
SPRINGS	
	Bias spring bar (psi)
05	5.5 (80) ± 20%
11	11.5 (167) ± 15%

Preferred types

Type	Material number
048405008505000	R901109383
048405008511000	R901109384

Type	Material number

Dimensions



Bosch Rexroth Oil Control S.p.A.

Via Leonardo da Vinci 5
P.O. Box no. 5
41015 Nonantola – Modena, Italy
Tel. +39 059 887 611
Fax +39 059 547 848
compact-hydraulics-cv@boschrexroth.com
www.boschrexroth.com/compacthydraulics

© This document, as well as the data, specifications and other information set forth in it, are the exclusive property of Bosch Rexroth Oil Control S.p.a.. It may not be reproduced or given to third parties without its consent. The data specified above only serve to describe the product. No statements concerning a certain condition or suitability for a certain application can be derived from our information. The information given does not release the user from the obligation of own judgment and verification. It must be remembered that our products are subject to a natural process of wear and aging. Subject to change.